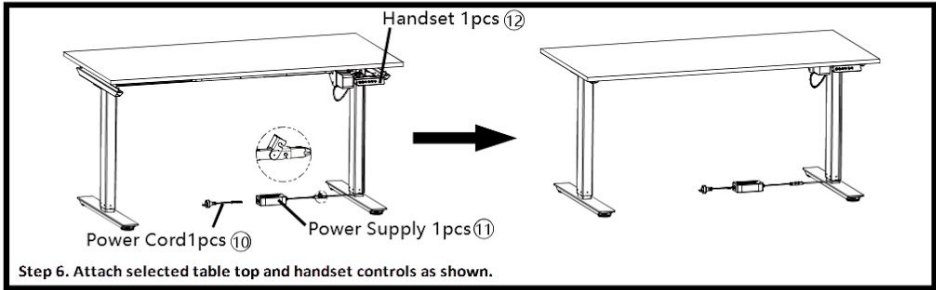
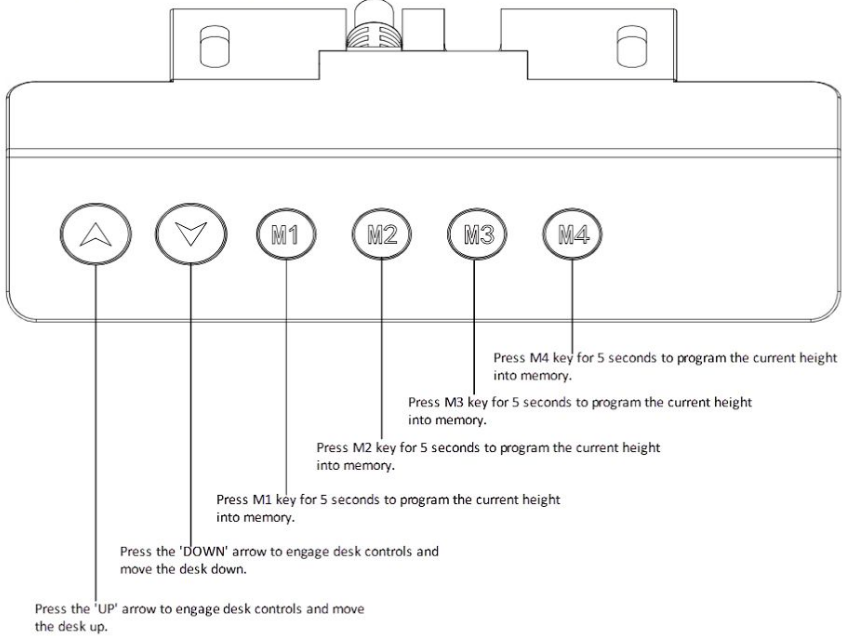


Step 5. Install and adjust the hex bar to the required width to engage the drive mechanism for lifting.



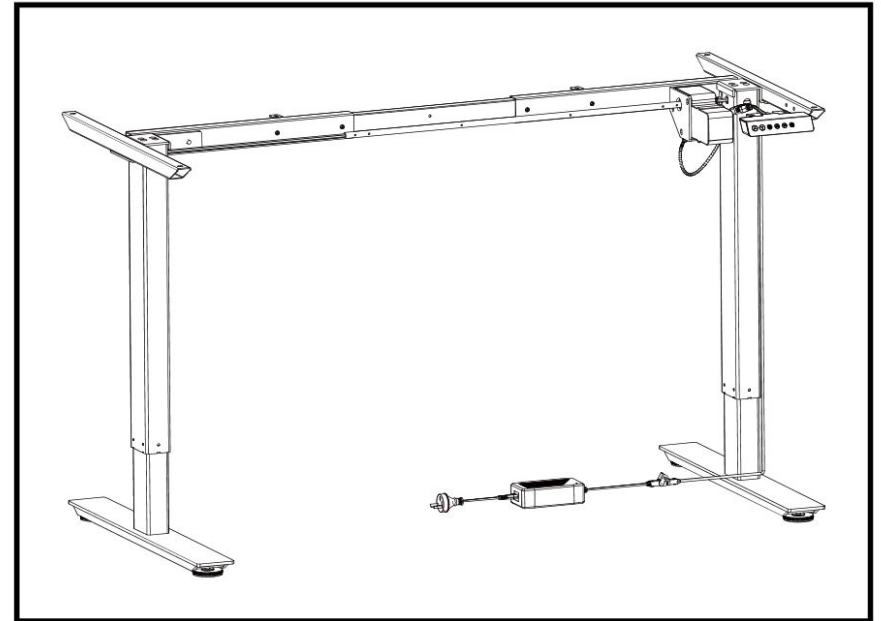
Step 6. Attach selected table top and handset controls as shown.

Step 7. Configure your 4 customizable heights (M1, M2, M3, M4). Heights can be reprogrammed at any time.



## ASSEMBLY INSTRUCTIONS

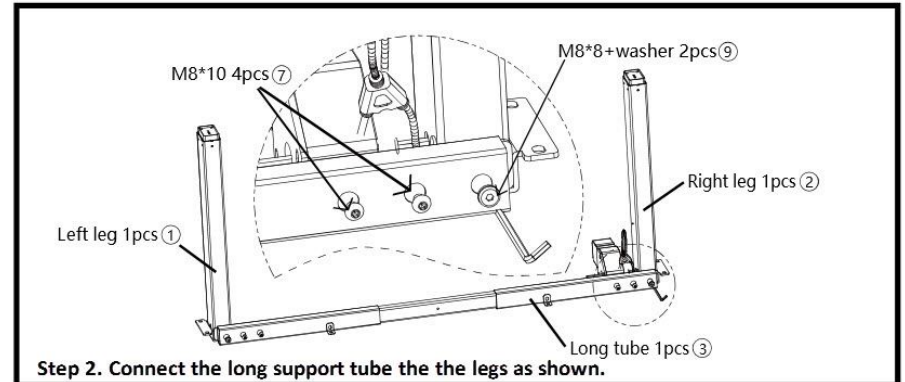
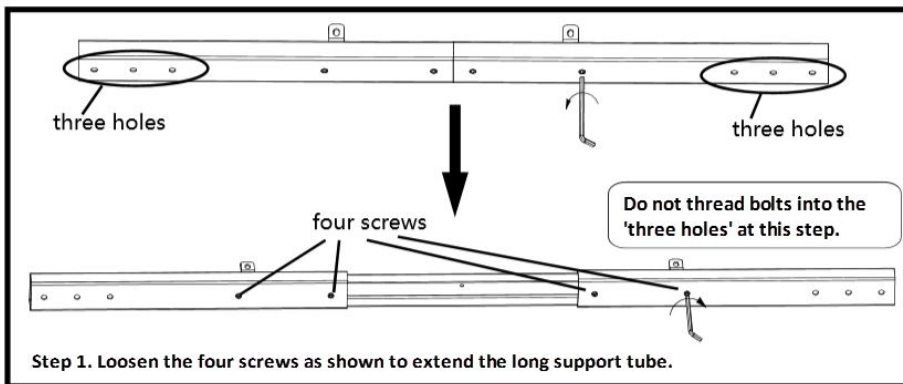
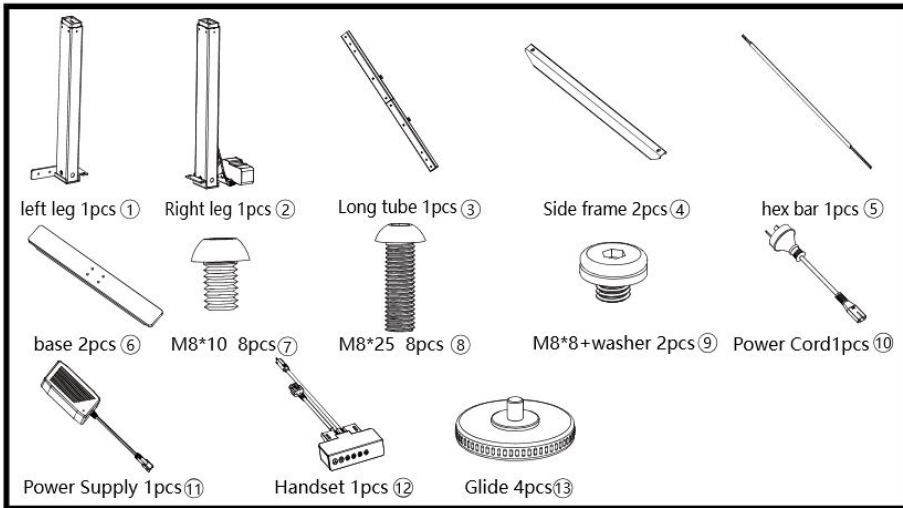
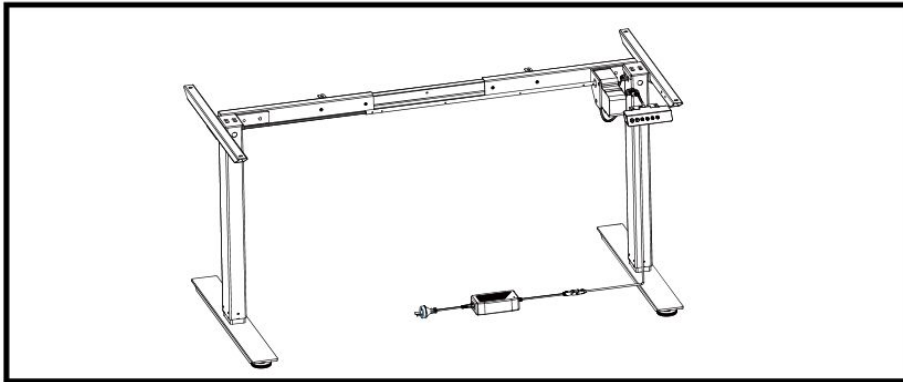
MODEL: EDESK-SMP-A2  
Programmable Single Motor Standing Desk



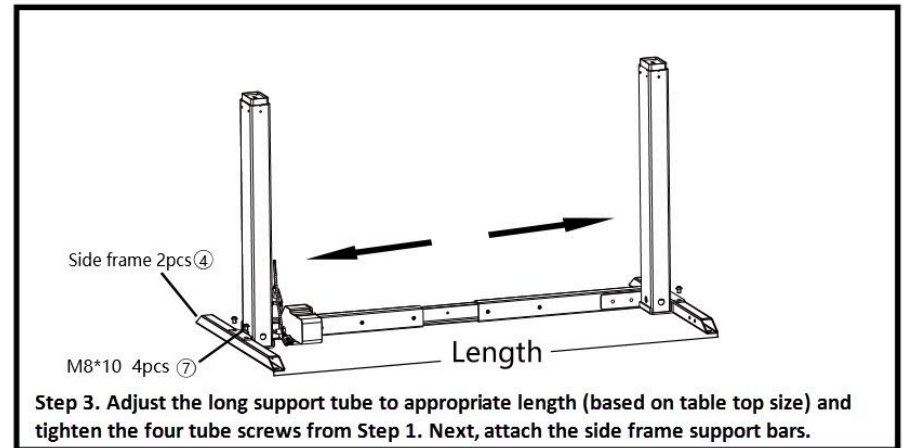
[WWW.ANTHRODESK.CA](http://WWW.ANTHRODESK.CA)

1-800-267-1783

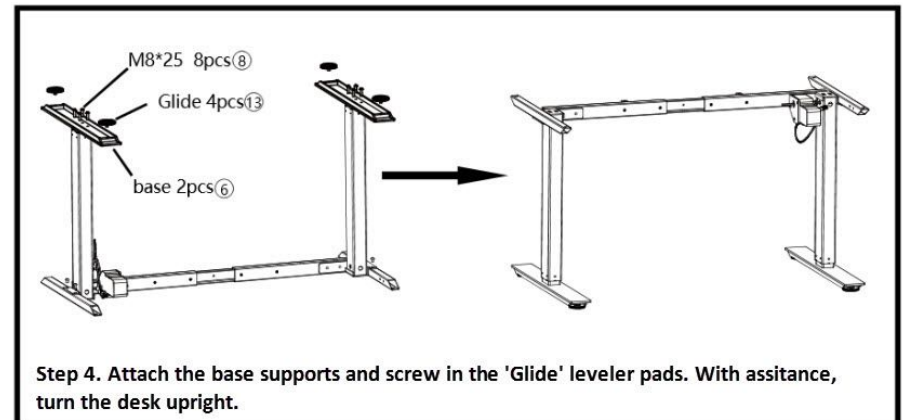
## ASSEMBLY INSTRUCTIONS



**Step 2. Connect the long support tube the the legs as shown.**



**Step 3. Adjust the long support tube to appropriate length (based on table top size) and tighten the four tube screws from Step 1. Next, attach the side frame support bars.**



**Step 4. Attach the base supports and screw in the 'Glide' leveler pads. With assistance, turn the desk upright.**