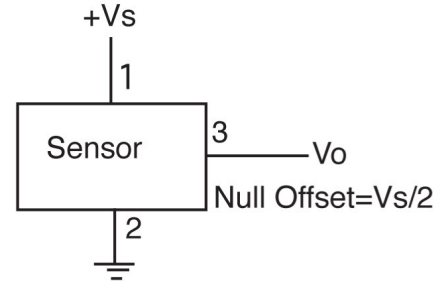


25,50,100 Ampere Ratings

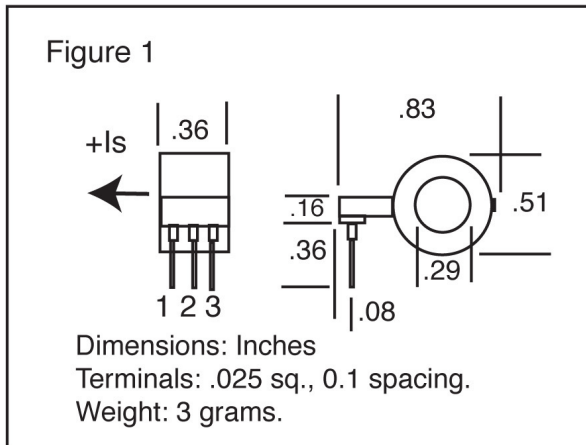
amploc.com

Hall effect linear sensors. -55C to +125C

Sensor Style	Fig.	Sensed Current (Amps peak)	Vs= +5V ΔV_o at peak rated current **	Vs= +5V Sensitivity mV/A **
AMP25	1	25	.925V	37
AMP50	1	50	1.14V	23
AMP100	1	100	1.9V	19



** proportional to Vs



AMP25 Linear to 60A.
AMP50 Linear to 90A.
AMP100 Linear to 120A.

Caution: Do not reverse supply voltage polarity.

ELECTRICAL CHARACTERISTICS

- Supply voltage, Vs.....+4.5 to +10 Vdc
- Supply Current..... 10mA max.
- Output Current..... 2mA max.
- Offset Voltage, Vo (Sensed I = 0A.). Vs/2±2%
- Output Voltage, Vo is proportional to Vs.
- Temperature Error
 - Null..... .03%/C
 - Gain..... .03%/C
- Temperature Range..... -55C to +125C
- Response Time..... 3µSec.
- Linearity (Full Scale)..... 1%
- Accuracy (Full Scale)..... ±2%
- A.C. Hysterisis Error..... 0.5%

