



A M C R E S T

**AF-2MDT-28B / AF-2MDT-28W
User Manual**

Contents

- Welcome 3
- Important Safeguards and Warnings 3
- Product Introduction 4
- Features 4
- Installation 5
- Connection 5
- Technical Specifications 6
- FCC Statement 7
- IC Warning Statement 8
- Appendix A: Toxic or Hazardous Materials or Elements 8

Welcome

Thank you for purchasing an Amcrest camera!

This user manual is designed to be a reference tool for the installation and operation of your camera. Here you can find information about the camera's features and functions, as well as information to aid in troubleshooting.

Many of the setup and installation sections have corresponding videos on YouTube. To access the setup videos, please go to <http://amcrest.com/videos>.

For access to other support related materials and information, please visit us at <http://amcrest.com/support>.

To contact Amcrest support, please do one of the following:

- Visit <http://amcrest.com/contacts> and use the email form.
- Call Amcrest Support using one of the following numbers:
 - Toll free: (888)212-7538 ○ International Callers (Outside of the US): +1-713-893-9656 ○ USA: 713-893-8956 ○ Canada: 437-888-0177 ○ UK: 203-769-2757
- Email Amcrest Customer Support: support@amcrest.com

Important Safeguards and Warnings

1. Electrical Safety

All installation and operation should conform to your local electrical safety codes. The product must be grounded to reduce the risk of electrical shock. We assume no liability or responsibility for any fires or electrical shock caused by improper handling or installation.

2. Transportation Security

Heavy stress, violent vibrations, and excess moisture should not occur during transportation, storage, and installation of the device.

3. Installation

Handle the device with care. Do not apply power to the camera before completing installation. Do not place objects on top of the camera.

4. Repair Professionals

All the examination and repair work should be performed by a qualified service engineer. We are not liable for any problems caused by unauthorized modifications or user attempted repair.

5. Environment

The camera should be kept in a cool, dry place away from direct sunlight, flammable materials, explosive substances, etc. This product should be transported, stored, and used only in the specified environments as stated above. Do not aim the camera at a strong light source as it may cause overexposure of the picture or affect the longevity of the camera's sensors. Ensure the camera is in a well-ventilated area to prevent overheating.

6. Operation and Maintenance

Do not touch the camera sensor or lens directly. To clean dust or dirt off the lens, use an air blower or a microfiber cloth.

7. Accessories

Be sure to use only the accessories recommended by the manufacturer. Before installation, please open the package and check to make sure that all the components are present. Contact the retailer that you purchased from or Amcrest directly if anything is broken or missing in the package.

Product Introduction

This series of camera is adopted with CMOS image sensors that provide high performance, high megapixel resolution that supports HD video. It supports monitoring signals via a coaxial transmission and standard BNC connection. Transmission distances can range more than 300m (984.25ft) based on 75-3 coaxial cable. This series can also support CVI/TVI/AHD/Analog output as well as recognize high speed, long distance, and real time video transmissions.

Features



- 1/2.9" 2MP Sony EXmor CMOS
- AGC, AWB, AES
- 2D DNR, D-WDR, Smart IR Control
- Multi-Languages OSD Control from Recorder
- HD-CVI/HD-TVI/AHD/CVBS Output Selectable from Toggle Switch
- DC12V, 2.0A

Installation

- 1) Locate the position in which you would like to place your camera and apply the included mounting sticker to the mounting surface.
 - 2) Using a drill that is the same diameter, or slightly smaller than the included drywall mounting wall anchors, drill out the smaller circles on the sticker and insert the drywall mounting wall anchors.
- Note:** The wall anchors should be in the same bag as the mounting screws and are designed to secure the screws when mounting the camera.
- 3) While holding the camera, unscrew the camera's base plate by turning it counterclockwise until the base plate separates from the camera.
 - 4) While leaving the cabling to the camera still threaded through the base plate, match the holes in the base plate to the holes of the wall anchors on the mounting surface. Then, using a Phillips head screwdriver, secure the base plate using the mounting screws.
 - 5) Pull the excess cabling through the cable routing channel and place the camera back onto the base plate by turning it clockwise.

Tip: During this step you will be able to direct the camera framing to your liking. Compressing the camera "eye" to the base plate will help secure the camera while keeping the desired field of view.

Connection

This camera series will have three leads at the end of the wiring harness. Their functions are as follows:

Green: TVI,CVI,AHD, and CVBS

Red: DC12V, 2.0A power input

Black (Dip switches): Please follow the diagram below for configuration settings:

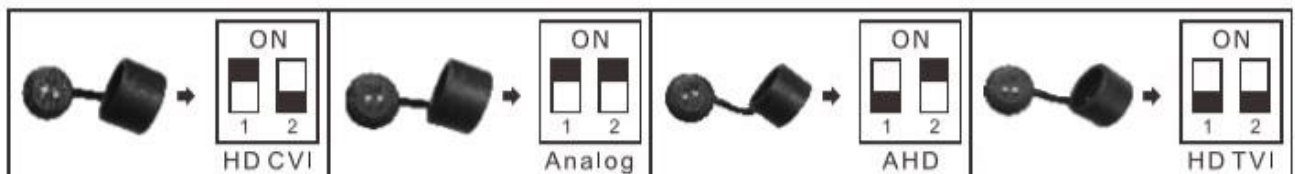


Figure 1-1

Note: If the proper mode configuration is not set, **you will not be able to view your camera on your DVR.** Please make sure you have the proper settings on your camera before you begin setting up or installing.

To connect your camera to your DVR, please follow the steps provided below:

Note: Make sure you have the proper mode configuration on your camera before running or connecting any cables. Refer to the Figure 1-1 for more details on how to set mode configurations for your specific DVR.

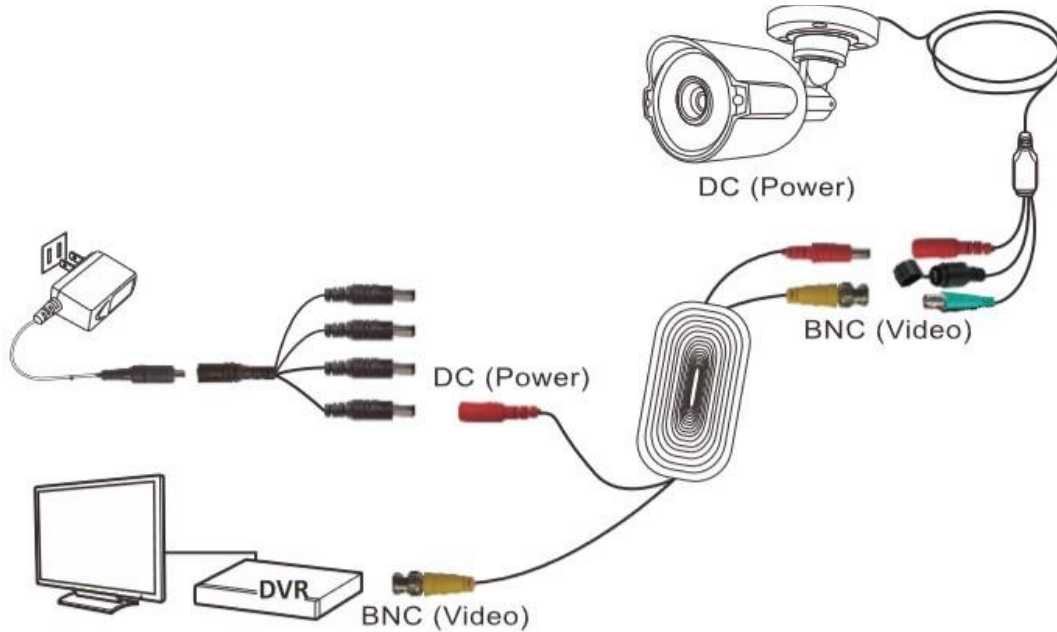
Step 1: Connect a BNC (coaxial) cable to the video out connection of your camera.

Step 2: Connect the male end of the DC power connector of the BNC (coaxial) cable to the female end of the power connector of the camera.

Step 3: Connect the BNC (coaxial) cable to a video out channel on the back of your DVR.

Step 4: Connect the male end of the DC power connector of the power adapter to the female end of the power connector of the BNC (coaxial) cable. Plug in the power adapter to apply power to the camera.

For more information on the installation process described, refer to the image below for more details.



Technical Specifications

Model	AF-2MDT-28B / AF-2MDT-28W
Camera	
Image Sensor	1/2.9" 2MP Sony EXmor CMOS
Effective Pixels	1080P (1920 x 1080)
Signal System	NTSC/PAL
Synchronization	Internal Synchronization
Video Output	CVI (1080P@25fps), TVI (1080P@30fps), AHD (1080P@30fps), CVBS (1280 x 576, 1280 x 480)

S/N Ratio	41dB(AGC OFF)
Focal Length	2.8mm
Max Aperture	F1.2
Min. Illumination	Color: 0.1Lux@(F1.2, AGC On), B&W: 0.01Lux@(F1.2, AGC On)
Function	
Day & Night	Ext. /Auto / Color / B & W
White Balance	Auto / Manual
NR	2DNR
Smart IR	Support
DWDR	On / Off
Shutter	Auto
AGC	Auto
OSD	English/Chinese
General	
Power Supply	DC12V, 2.0A
Working Temperature / Humidity	-30°C ~ +50°C (-22°F ~ +122°F), Humidity 90% or less (non-condensing)
Storage Temperature	-20°C ~ +60°C (-4°F ~ +140°F)

FCC Statement

1. This device complies with Part 15 of the FCC Rules. Operation is subject to the following two conditions: (1) this device may not cause harmful interference, and (2) this device must accept any interference received, including interference that may cause undesired operation.

2. The user’s manual or instruction manual for an intentional or unintentional radiator shall caution the user that changes, or modifications not expressly approved by the party responsible for compliance could void the user's authority to operate the equipment. In cases where the manual is provided only in a form other than paper, such as on a computer disk or over the Internet, the information required by this section may be included in the manual in that alternative form, provided the user can reasonably be expected to have the capability to access information in that form.

3. (b) For a Class B digital device or peripheral, the instructions furnished the user shall include the following or similar statement, placed in a prominent location in the text of the manual: NOTE: This equipment has been tested and found to comply with the limits for a Class B digital device, pursuant to Part 15 of the FCC Rules. These limits are designed to provide reasonable protection against harmful interference in a residential installation. This equipment generates, uses and can radiate radio frequency energy and, if not installed and used in accordance with the instructions, may cause harmful interference to radio communications. However, there is no guarantee that interference will not occur in a particular installation. If this equipment does cause harmful interference to radio or

television reception, which can be determined by turning the equipment off and on, the user is encouraged to try to correct the interference by one or more of the following measures:

- Reorient or relocate the receiving antenna.
- Increase the separation between the equipment and receiver.
- Connect the equipment into an outlet on a circuit different from that to which the receiver is connected.
- Consult the dealer or an experienced radio/TV technician for help.

4. RF exposure warning: This equipment must be installed and operated in accordance with provided instructions and the antenna(s) used for this transmitter must be installed to provide a separation distance of at least 20 cm from all persons and must not be co-located or operating in conjunction with any other antenna or transmitter. End-users and installers must be provided with antenna installation instructions and transmitter operating conditions for satisfying RF exposure compliance.

IC Warning Statement

This device complies with Industry Canada’s licence-exempt RSSs. Operation is subject to the following two conditions: (1) This device may not cause interference; and (2) This device must accept any interference, including interference that may cause undesired operation of the device. Le présent appareil est conforme aux CNR d'Industrie Canada applicables aux appareils radio exempts de licence. L'exploitation est autorisée aux deux conditions suivantes : (1) l'appareil ne doit pas produire de brouillage, et (2) l'utilisateur de l'appareil doit accepter tout brouillage radioélectrique subi, même si le brouillage est susceptible d'en compromettre le fonctionnement. This equipment complies with IC RSS-102 radiation exposure limits set forth for an uncontrolled environment. This equipment should be installed and operated with a minimum distance of 20cm between the radiator and any part of your body. Pour se conformer aux exigences de conformité CNR 102 RF exposition, une distance de séparation d'au moins 20 cm doit être maintenue entre l'antenne de cet appareil et toutes les personnes.

Appendix A: Toxic or Hazardous Materials or Elements

Component Name	Toxic or Hazardous Materials or Elements			

	Pb	Hg	Cd	Cr VI	PBB	PBDE
Sheet Metal(Case)	○	○	○	○	○	○
Plastic Parts (Panel)	○	○	○	○	○	○
Circuit Board	○	○	○	○	○	○
Fastener	○	○	○	○	○	○
Wire and Cable/Ac Adapter	○	○	○	○	○	○
Packing Material	○	○	○	○	○	○
Accessories	○	○	○	○	○	○

○: Indicates that the concentration of the hazardous substance in all homogeneous materials in the parts is below the relevant threshold of the SJ/T11363-2006 standard.

X: Indicates that the concentration of the hazardous substance of at least one of all homogeneous materials in the parts is above the relevant threshold of the SJ/T11363-2006 standard. During the environmental-friendly use period (EFUP) period, the toxic or hazardous substance or elements contained in products will not leak or mutate

so that the use of these (substances or elements) will not result in any severe environmental pollution, any bodily injury or damage to any assets. The consumer is not authorized to process such kind of substances or elements, please return to the corresponding local authorities to process according to your local government statutes.

O: Indicates that the concentration of the hazardous substance in all homogeneous materials in the parts is below the relevant threshold of the SJ/T11363-2006 standard.

X: Indicates that the concentration of the hazardous substance of at least one of all homogeneous materials in the parts is above the relevant threshold of the SJ/T11363-2006 standard. During the environmental-friendly use period (EFUP) period, the toxic or hazardous substance or elements contained in products will not leak or mutate so that the use of these (substances or elements) will not result in any severe environmental pollution, any bodily injury or damage to any assets. The consumer is not authorized to process such kind of substances or elements, please return to the corresponding local authorities to process according to your local government statutes.

Note:

- **To view setup videos for many of the steps outlined in this guide, go to <http://amcrest.com/videos>**
- **This user manual is for reference only. Slight differences may be found in the user interface.**
- **All the designs and software here are subject to change without prior written notice.**
- **All trademarks and registered trademarks mentioned are the properties of their respective owners.**

To contact Amcrest support, please do one of the following:

Visit <http://amcrest.com/contacts> and use the email form.

Call Amcrest Support using one of the following numbers:

Toll Free US: (888) 212-7538

International Callers (Outside of US): +1-713-893-8956

USA: 713-893-8956

Canada: 437-888-0177

UK: 203-769-2757 Email Amcrest Customer

Support support@amcrest.com

Copyright Amcrest[©] 2019

