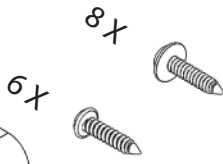
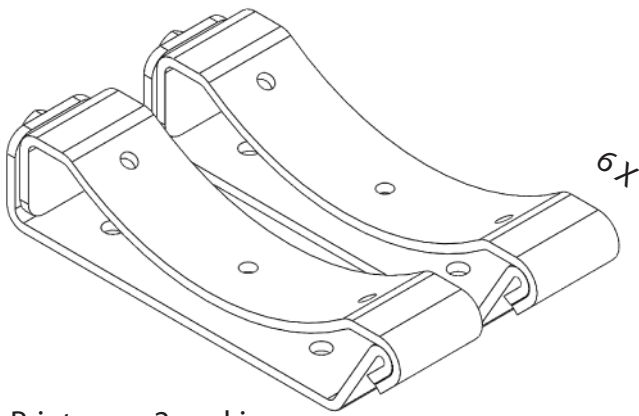
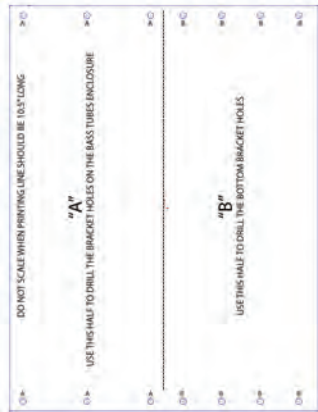




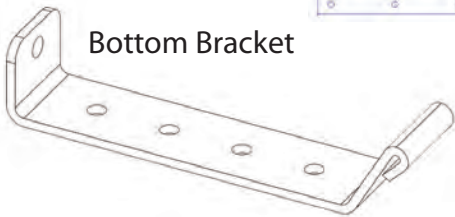
# UMB-BK



Print page 2, making sure printer is set on **do not scale**. Long vertical line should be 10.5" long. Cut dotted line. (Fig. 1)



(Fig. 1)



Bottom Bracket

(Fig. 5)

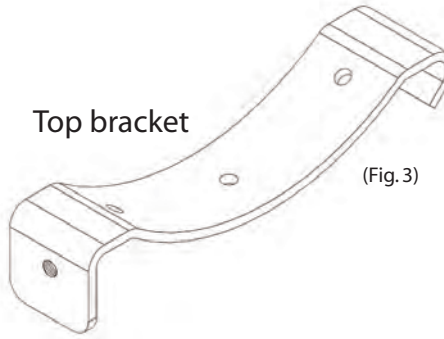
Place the template half with the 4 holes (B) where you want the Bazooka tube to be mounted. (Fig. 4) Drill your pilot holes with a 3/32 bit. Screw brackets (Fig. 5) down onto mounting surface.

**Warning:**

The mounting area should be carefully checked to be sure that the mounting screws will not damage the gas tank, electrical wiring, fuel lines or the spare tire during the mounting process. (This requires a visual search of the underside of the vehicle where the Bass Tube enclosure is to be mounted)



(Fig. 4)



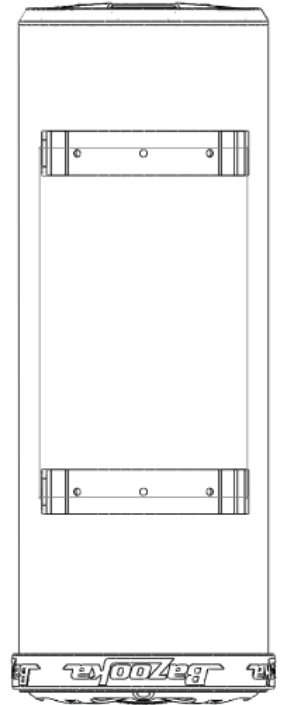
Top bracket

(Fig. 3)

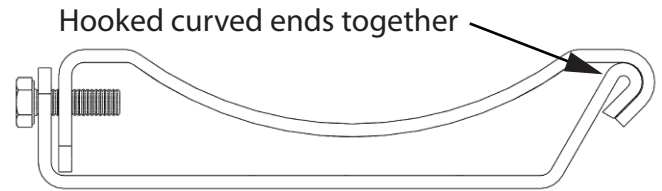
Center the template half with the 3 holes (A) on the Bazooka tube. (Fig. 2) Drill your pilot holes with a 3/32 bit. Screw brackets (Fig. 3) down onto subwoofer cabinet.

**Warning:**

Only drill deep enough to go through cabinet.



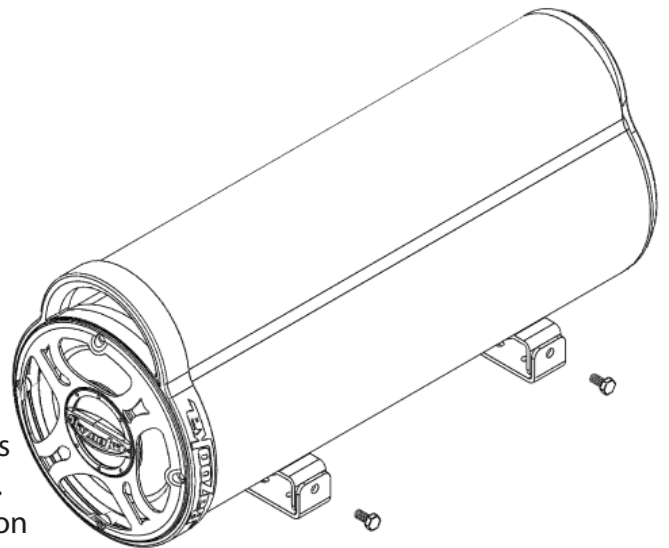
(Fig. 2)



Hooked curved ends together

(Fig. 6)

Hook curved end of brackets together as shown in (Fig 6). Line up the threaded holes on the top brackets with the clearance holes on the bottom brackets. Use the 6 mm bolts to connect the brackets together. (Fig. 7)



(Fig. 7)

DO NOT SCALE WHEN PRINTING LINE SHOULD BE 10.5" LONG

A

**"A"**

USE THIS HALF TO DRILL THE BRACKET HOLES ON THE BASS TUBES ENCLOSURE

A

A



B

B

**"B"**

USE THIS HALF TO DRILL THE BOTTOM BRACKET HOLES

B

B

A

A

A

B

B

B

B