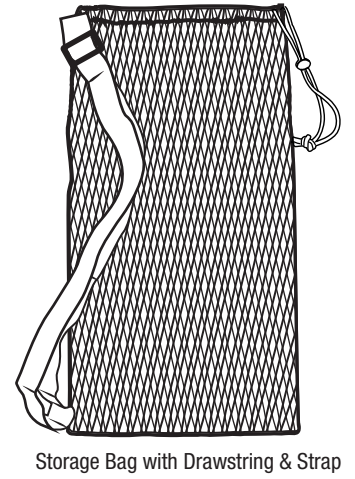
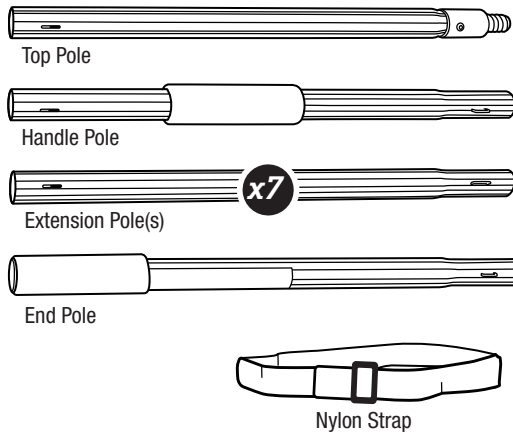
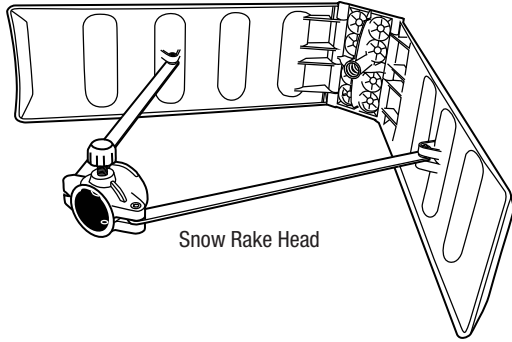
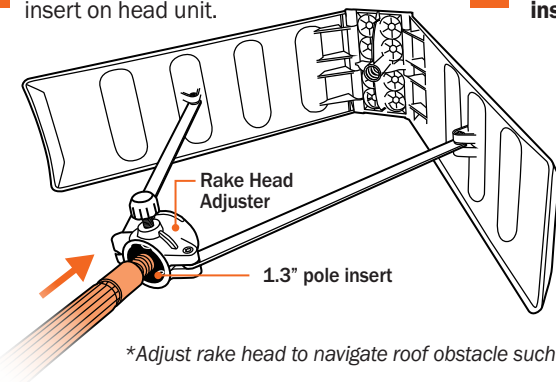


What's Included

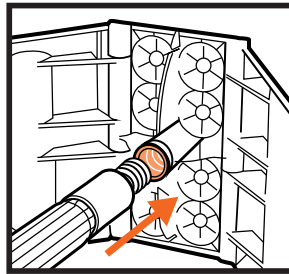


Assembly Roof Rake Head Unit

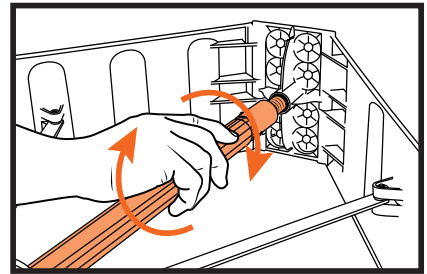
1 Slide **TOP** pole through the pole insert on head unit.



2 While keeping the holes aligned, insert **TOP** pole into head unit.

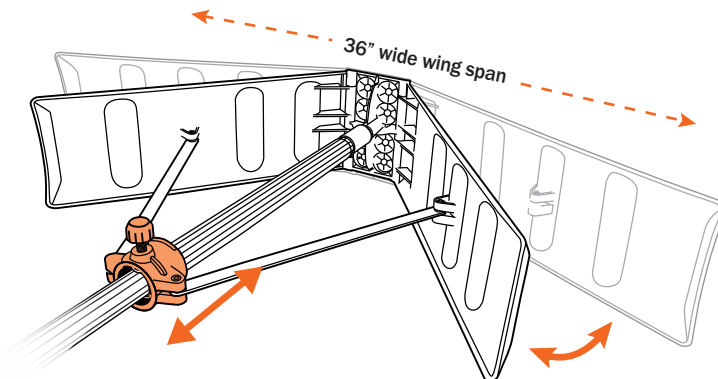


3 Turn **TOP** pole **CLOCKWISE** to secure.

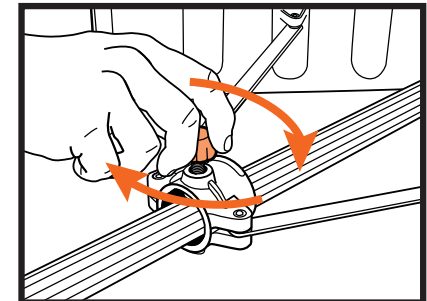


*Adjust rake head to navigate roof obstacle such as roof vents, pipe jacks, turtle vents and valleys.

4 Slide Rake head adjuster to desired roof rake position.



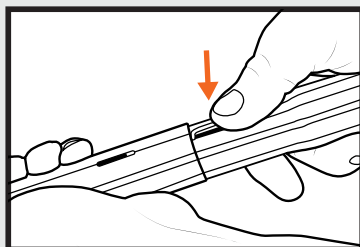
5 Hand-tighten* Rake head adjuster knob to secure rake position.



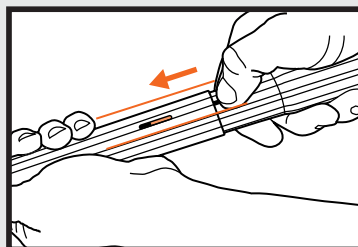
DO NOT USE PLIERS OR OVER-TIGHTEN THE THUMB SCREW

Attaching An Extension Pole

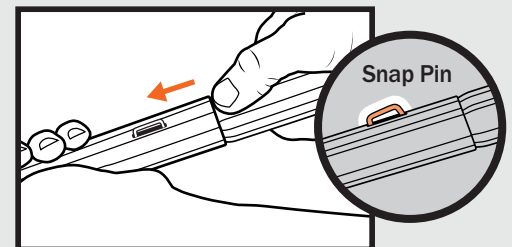
1 Press **DOWN** on snap pin and insert into larger end of pole.



2 Align top section of poles until snap pin engages in hole.



3 Continue pushing until snap pin locks into place.



*To disassemble, push snap pin down & pull.

Pole/Extensions Assembly 16 feet (21 feet reach)



Operation Snow Removal Tips

Step-by-Step Instructions:

1 Wait for the Right Conditions

- Only rake fresh or soft snow if possible. Hardened snow or ice is more difficult and dangerous to remove.
- Avoid raking in high winds or during icy rain.
- Make sure visibility is good.

2 Stand on Solid, Safe Ground

- Stay on the ground whenever possible.
- Do not climb on the roof, may damage shingles.
- Clear a safe working area around the home. Watch for icy patches, buried obstacles, or uneven ground.

3 Start from the Edge of the Roof

- Begin at the roof's edge (eaves/gutters) and work your way upward, pulling snow downward toward you.
- Do not push snow up the roof – this can damage shingles.

TIP: Remove snow in small sections (1-2 foot increments) rather than large swaths to maintain control.

4 Use Smooth, Controlled Pulls

- Use slow, steady movements. Avoid jerking or yanking the rake, this can damage shingles.
- Let gravity help. The snow should fall naturally with each pull.

BE CAREFUL: Don't stand directly under the area you're raking, snow or ice chunks can fall suddenly.

What You'll Need:

- EZ Smart snow roof rake (has non-abrasive blade to protect shingles)
- Non-slip boots and winter gloves (not included)
- Eye protection (not included), since snow chunks can fall suddenly

5 Avoid Key Roof Features

These areas can be damaged easily or catch your rake. Stay clear of the following: *Skylights, Roof vents, Solar panels, Chimneys*

6 Don't Try to Clear It All

- You don't need to remove every bit of snow, just enough to reduce load and prevent ice dams.
- A general guideline: remove about 6-8+ feet (or more with heavy snow falls) up from the eaves.

7

Take Breaks & Stay Safe

- Snow raking is physical work, take breaks to avoid fatigue.
- If you feel strain or your pole is iced over, stop and reassess.

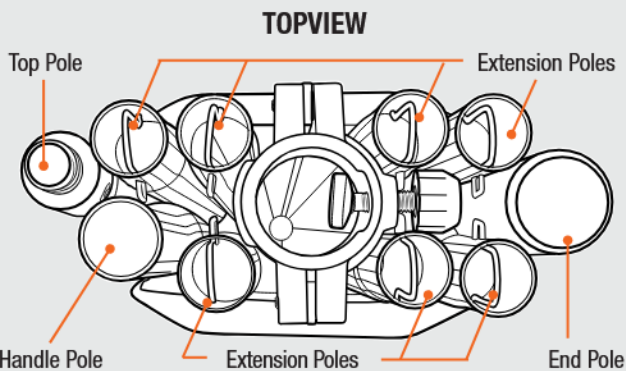
SAFETY TIPS

USE A ROOF RAKE PROACTIVELY AFTER EVERY HEAVY SNOWFALL (6 inches or more) to prevent buildup rather than waiting until problems arise.

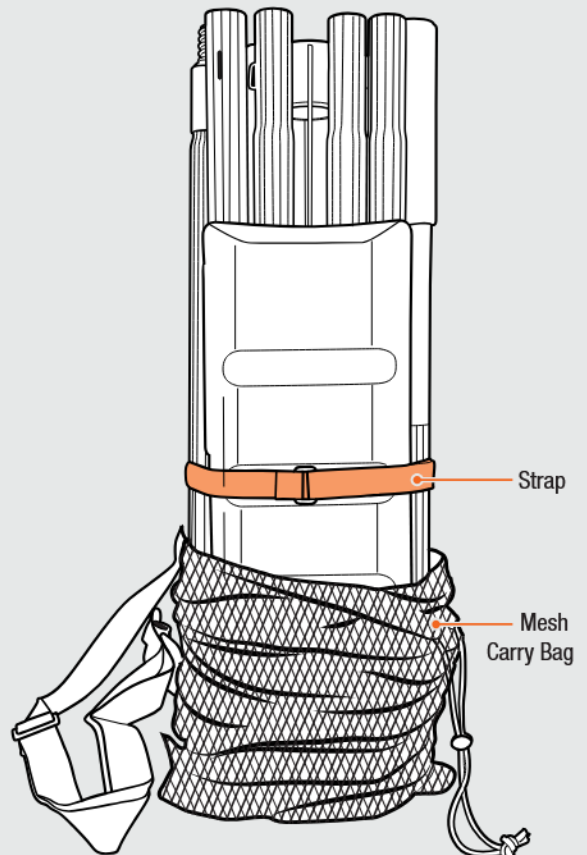
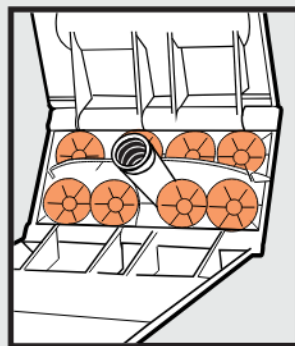
- Be aware of overhead power lines.
- Never use metal tools that can damage your roof or conduct electricity.
- Don't use a ladder unless absolutely necessary and you have someone to stabilize it.
- If snow is hard-packed or there's ice buildup, consider hiring a professional instead of forcing it.

CAUTION: KEEP AWAY FROM ELECTRICAL WIRES

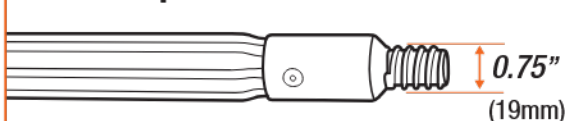
Convenient Compact Storage



- 1 Fold roof rake head, then place down with rake adjuster facing up.
- 2 Place extension poles on the circular receptacles on the roof rake head.
- 3 Use hook & loop strap to secure poles and folded rake head unit.
- 4 Place inside mesh carry bag and pull drawstring to close.



Reach up to 30ft with additional **ADD-A-POLES** (sold separately)



Extension poles work with standard Acme thread products



SCAN FOR MORE INFO



EZsmartTools.com

MADE IN CHINA Distributed by EZ Smart Co. Omaha, NE

WARNING: This product can expose you to chemicals, which are known to the State of California to cause cancer and birth defects or other reproductive harm. For more information go to www.P65Warnings.ca.gov