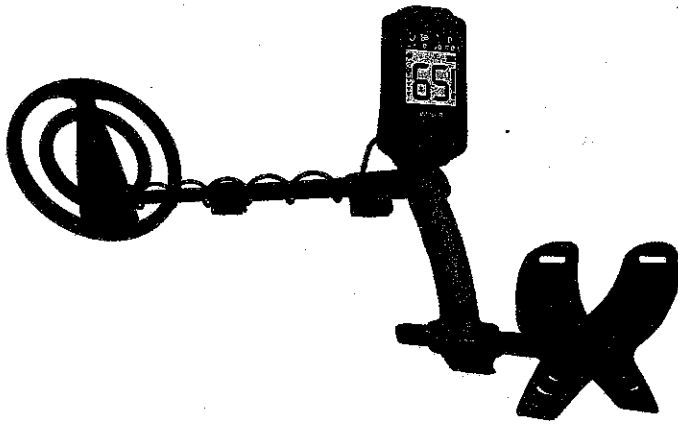


X-TERRA INTREPID

USER MANUAL



Florham Park Public Library
107 Ridgedale Ave
Florham Park, NJ 07932
973-377-2694 www.florhamparklib.org

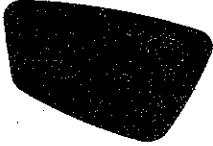


Contents

Quick Start

QUICK START.....	2
PARTS OVERVIEW.....	3
ASSEMBLY.....	4
CONTROLS.....	6
DISPLAY.....	7
OPERATION.....	8
DETECTOR SETTINGS.....	9
Volume.....	9
Sensitivity.....	9
Adjust Sensitivity Level.....	9
Excessive Noise.....	9
Search Modes.....	9
.PINPOINT.....	10
Locate a Target With Pinpoint.....	10
DEPTH GAUGE.....	10
TARGET IDENTIFICATION.....	11
Target Identification Number.....	11
Target Groups.....	11
Target Examples.....	11
Target Tones.....	11
BATTERIES.....	12
Battery Level.....	12
DETECTOR CARE AND SAFETY.....	13
TROUBLESHOOTING.....	13
TECHNICAL SPECIFICATIONS.....	14
COMPLIANCE.....	15

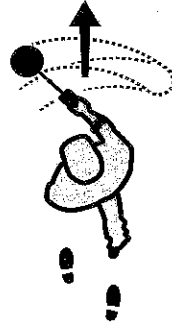
1. Turn On



2. Wait For 5 Seconds



3. Begin Detecting



Parts Overview

1. CONTROL POD

- 2. Speaker
- 3. Coil Connector Socket
- 4. Battery Compartment
- 5. Battery Cover

6. HANDLE ASSEMBLY

- 7. Locating Hook
- 8. Control Pod Screw
- 9. Camlock
- 10. Handgrip
- 11. Armrest Adjustment Camlock
- 12. Upper Shaft
- 13. Armrest with Stand

14. MIDDLE SHAFT

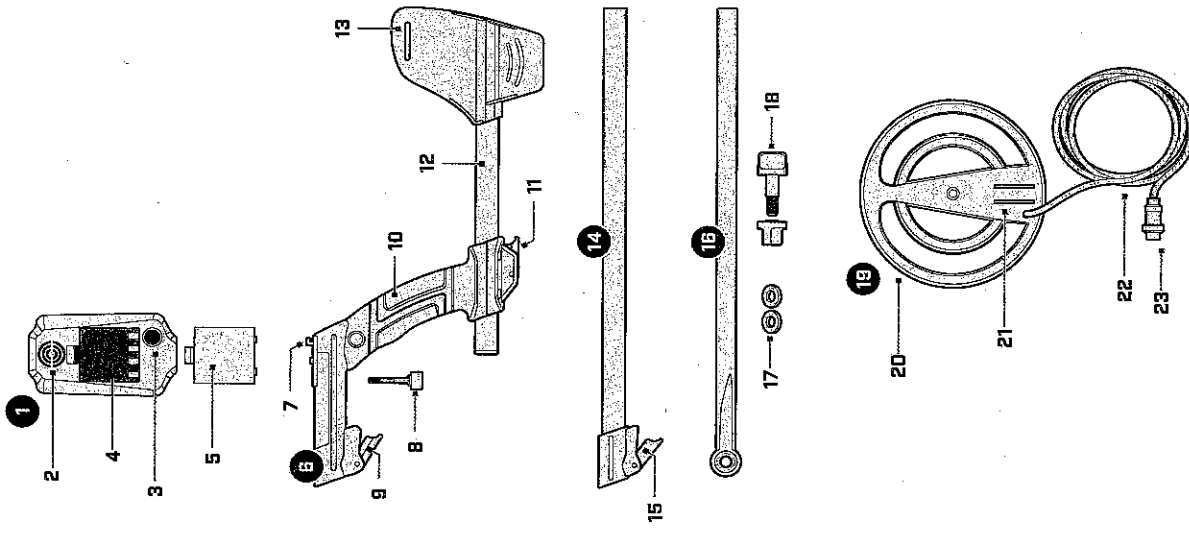
- 15. Camlock

16. LOWER SHAFT

- 17. Rubber Washers (*2)
- 18. Coil Nut & Bolt

19. COIL

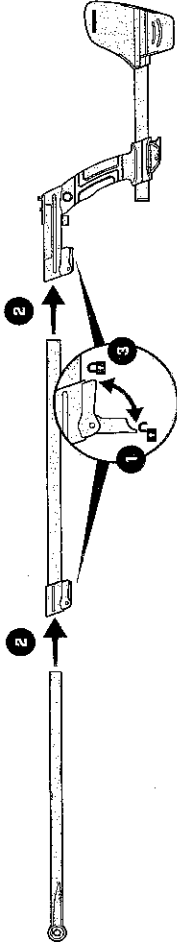
- 20. Skidplate
- 21. Yoke Bracket
- 22. Coil Cable
- 23. Coil Connector



Assembly

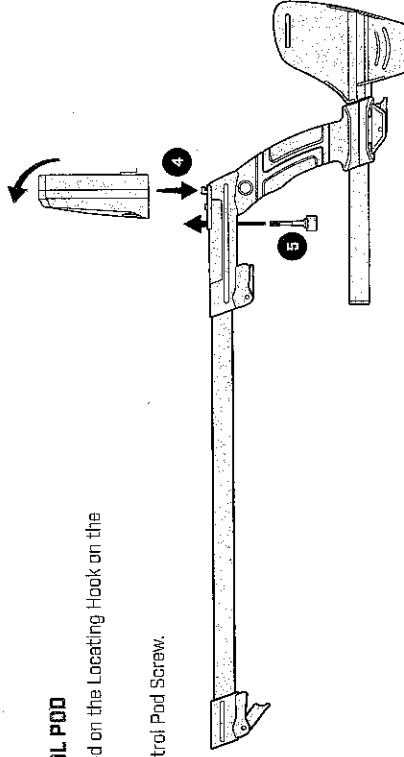
ASSEMBLE THE SHAFTS

1. Open the Camlocks.
2. Insert the Middle Shaft into the Handle Assembly, and insert the Lower Shaft into the Middle Shaft.
3. Close the Camlocks.



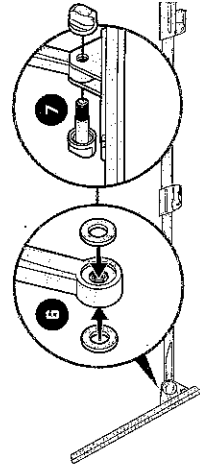
ATTACH THE CONTROL POD

4. Place the Control Pod on the Locating Hook on the top of the Handle.
5. Secure with the Control Pod Screw.



ATTACH THE COIL

6. Check that the Rubber Washers are inserted into the Lower Shaft.
7. Slide the Lower Shaft into the Yoke Bracket on the Coil, aligning the holes. Fasten with the supplied plastic Bolt and Nut.

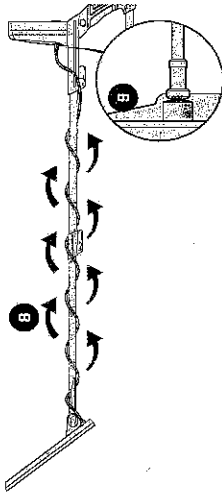


CAUTION: Do not use tools to tighten — over-tightening may cause damage.

Assembly *(Continued)*

WRAP THE CABLE AND PLUG-IN

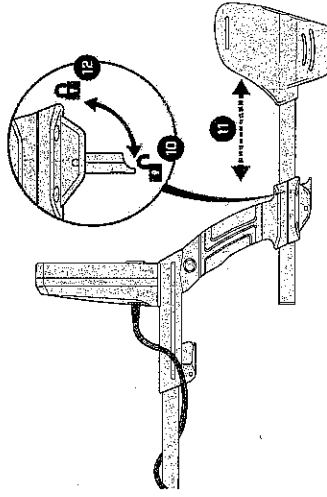
8. Wrap the Coil Cable around the Shaft enough times to take up the slack, but so that the Coil can still tilt easily.
9. Align the Coil Connector with the socket on the back of the Control Pod. Plug it in.



CAUTION: Do not force the connector if there is resistance — this may cause damage.

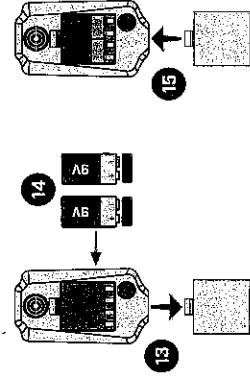
ADJUST THE DETECTOR LENGTH

10. Open the Armrest Adjustment Camlock.
11. Rest your arm in the Armrest and adjust as needed — the armrest should be positioned just below your elbow.
12. Close the Camlock.



INSERT BATTERIES

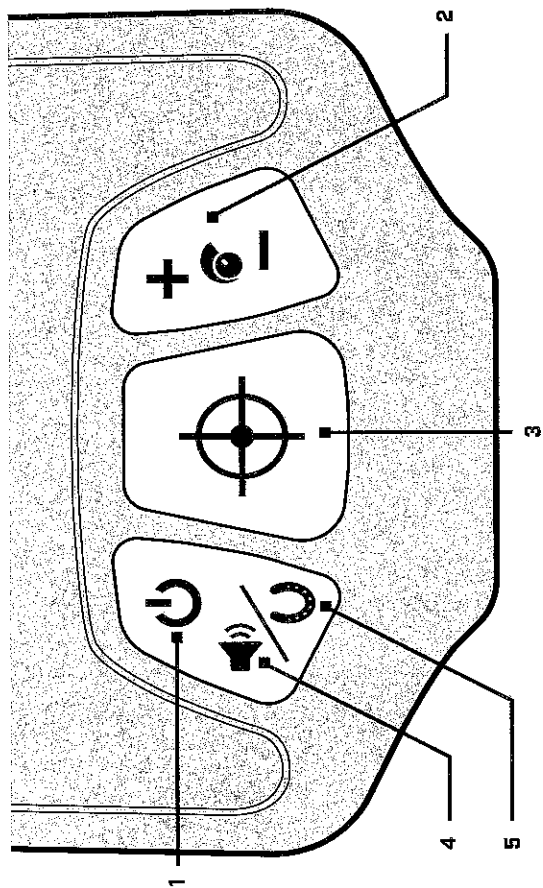
13. Remove the Battery Cover.
14. Place the two 9V alkaline batteries inside the battery compartment. Make sure the terminals are aligned correctly to the polarity symbols (+ and -).
15. Replace the Battery Cover.



CAUTION: Turn off the detector before changing the batteries.

See page 12 for additional important information about batteries.

Controls



1. POWER ON/OFF

Turns the detector On and Off.

2. MINUS [-] / PLUS [+]

Adjusts the sensitivity level (page 8).

3. PINPOINT

Press-and-hold to use Pinpoint Mode to accurately locate a detected target (page 10).

4. VOLUME ADJUST

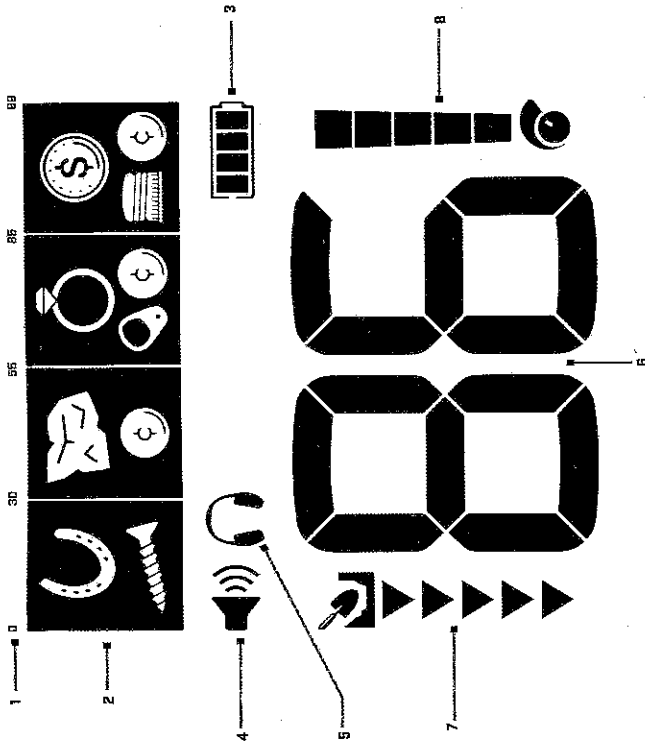
Adjusts the audio Volume Level, cycling from low-to-high (page 8).

5. SEARCH MODES

Long press to change Search Mode. Allows you to switch between ALL METAL and NO IRON modes.

ⓘ Note: The detector turns Off automatically if no button is pressed or no target is detected within 15 minutes.

Display



1. TARGET ID REFERENCE

A reference guide indicating the types of targets that can be found for the corresponding Target Group.

2. TARGET GROUPS

Represents groupings of Target Identification Numbers. The icon shows the types of targets typically found at the position on the Target ID scale (page 11). The Target Groups align with the Target ID Reference above them.

3. BATTERY LEVEL

Indicates the current battery level (page 12).

4. VOLUME LEVEL

Displays the detector audio volume (page 9).

5. HEADPHONE INDICATOR

INTREPID is compatible with 3.5 mm wired headphones, which can be purchased separately.

6. TARGET IDENTIFICATION NUMBER

Displays the numerical value of a detected target, giving you a good chance of identifying an object before you dig. The number is assigned based on the metallic composition of a target, with ferrous metals being assigned low ID's ranging from 0 to 30, and non-ferrous metals being assigned higher ID's ranging from 31 to 99. For example, a US quarter will always display the same Target Identification (ID) Number (88).

7. DEPTH GAUGE

Shows the approximate depth of a detected target (page 10).


8. SENSITIVITY LEVEL

Displays the Sensitivity level (page 9).

Operation

These steps go beyond Quick Start and explain how to successfully operate your detector from turning on to recovering a target.

1. TURN ON

Press the Power button  to turn the detector On, waiting a few seconds for the start-up calibration to complete.

2. BEGIN DETECTING

The detector coil does not detect metal when it is stationary — keep the coil moving.

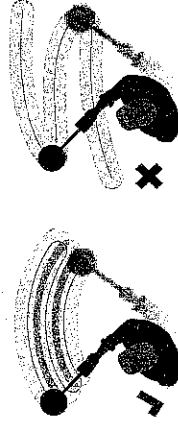
Sweep the coil close and parallel to the ground.

Avoid touching the ground or bumping the coil. This will maximize detection depth and improve the response to small objects.



Sweep the coil over the ground in a side-to-side motion while slowly walking forward at the end of each sweep. An average sweep speed is 2 to 3 seconds from right-to-left-to-right.

Slightly overlap the previous sweep to ensure full ground coverage.



3. DETECT A TARGET

When a target is detected, the detector beeps and the display shows a Target ID number. The corresponding Target group icon will also flash, indicating the possible type of object you have found.

The Depth Gauge (page 10) on the Display will show the approximate depth of the buried target, giving you an idea of how deep to dig.

4. PINPOINT A TARGET

Once you have detected a target that you want to dig, use the Pinpoint function to narrow down the exact location of the target. This is so that you can dig a smaller hole, making target recovery faster and easier. Follow the steps in "Locate a Target With Pinpoint" on page 10.

5. RECOVER THE TARGET

Carefully dig the target, taking care not to damage it with your digging tool.

Once you have recovered the target, check the hole once more in case there are still targets present.

6. FILL THE HOLE

Always fill your hole when you are finished digging.

FACTORS THAT AFFECT DETECTING

Sometimes detection accuracy can be affected by the following factors:

- The angle of the target buried in the soil.
- The depth of the target.
- The level of oxidation/rustiness of the target.
- The size of the target.
- Electrical interference in the environment.

In highly mineralized ground, fertile ground or wet sand, the detector could sound even if there is no metal. In this case, you can decrease the sensitivity or lift the search coil higher above the ground.

Metallic digging tools will also affect the detection if they are near the search coil. It's better to place them a little farther away.

Detector Settings

VOLUME

The Volume setting changes the loudness of target signals.

Press the Volume button to cycle through the volume settings from low to high. Once maximum Volume is reached, pressing the Volume button will return to the lowest Volume Level.



The Volume button

The Volume Level Indicator on the display shows the current Volume Level. Each bar represents one level.



The Volume Level Indicator

SENSITIVITY

The INTREPID detector is highly sensitive and has adjustable sensitivity. Setting the correct sensitivity level for individual detecting conditions will maximize detection depth.

Always choose the highest stable Sensitivity setting to ensure optimum performance.

The Sensitivity Level indicator on the display shows the current Sensitivity Level. Each bar represents one level.



The Sensitivity Level Indicator

To Adjust the Sensitivity Level

1. Hold the coil stationary, press the Plus button **+** to increase the sensitivity until false signals begin to occur.
2. Press the Minus button **-** to reduce the sensitivity just enough that the false signals disappear.
3. Sweep the coil over a clear patch of ground, and reduce the sensitivity level more if there is still ground noise.

Excessive Noise

Sometimes, excessive noise is encountered whilst detecting. This can be caused by environmental electrical interference from sources such as power lines, mobile phone towers, or other metal detectors.

If noise is a problem, try the following steps in order until the noise is eliminated.

1. Move away from local sources of electrical interference.
2. Restart the detector.
3. If restarting the detector does not eliminate the excessive noise, then try reducing the Sensitivity Level.

SEARCH MODES

The INTREPID detector contains two search modes to help you locate different types of metal objects. A long press of the Volume button will switch between ALL METAL (default) and NO IRON modes.

- Use the ALL METAL mode to find all metallic targets.
- Use the NO IRON mode to filter out iron junk.
- In NO IRON mode, the IRON (1-30) Target Group is not displayed on the LCD.

Pinpoint

Pinpointing helps you to quickly narrow down the location of a buried target, allowing you to determine its exact location before digging.

While Pinpoint is active the detector will play a sound while the Search Coil is stationary over a target.

LOCATE A TARGET WITH PINPOINT

1. Hold the coil away from the approximate target location, then press-and-hold the Pinpoint button to enable Pinpoint. The Target ID number will begin to flash 'pp'. Wait for 'pp' to stop flashing.



The Pinpoint button

2. Sweep the coil slowly over the target location.
3. Locate the center of the target by listening for the loudest signal.
4. Rotate the Search Coil by stepping to the side of the target. Repeat steps 2 and 3.
5. The Target will be located where the loudest signal sounded.
6. Release the Pinpoint button and return to normal detecting.

Depth Gauge

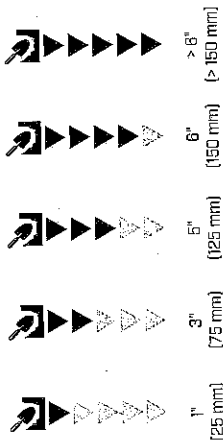
The Depth Gauge indicates the approximate depth of a detected target.

The Depth Gauge is a guide only. Fewer arrows indicate a shallower target, more arrows indicate a deeper target. The accuracy can vary depending on the target type and size, and ground conditions.

After a target is detected, the Depth Gauge will remain on the LCD for up to 3 seconds, or until the next target is detected.

When there is no detection, the Depth Gauge icon and arrows are turned Off.

Here is an example of the Depth Gauge reading and the approximate target depth for a US quarter.



Target Identification

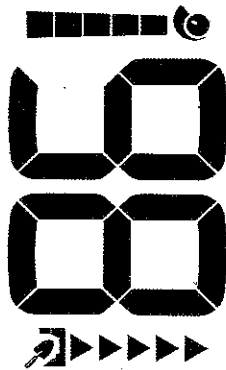
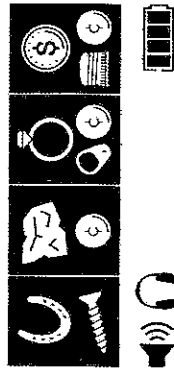
TARGET IDENTIFICATION NUMBER

Target Identification (Target ID) numbers range from 0 to 99 with ferrous (Iron) targets ranging from 0 to 30.

When a target is detected, it is represented as a number that appears on the Target ID field on the display. This indicates the target's ferrous or non-ferrous properties for quick and easy identification.

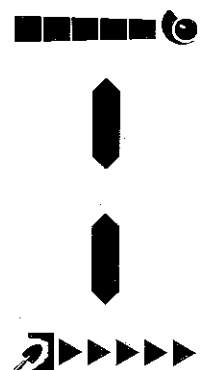
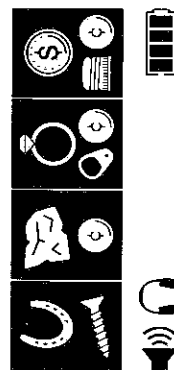
For example, a US quarter has a Target ID of 86.

This means that each time a Target with an ID of 86 is detected, there is a good chance that it will be a US quarter.



The last detected Target ID remains on the display for 5 seconds or until another target is detected.

If there is no detection, or the detector passes over a target that it rejects, the display shows two large dashes.



TARGET GROUPS

Target Groups are located along top of the Display.

Each Target Identification Number has a corresponding Target Group icon that will flash when that type of target is detected.

Target Examples

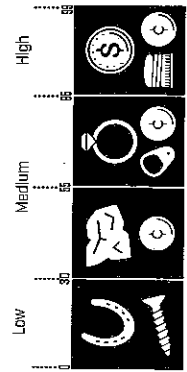
Targets have a wide variety of metallic properties, therefore no target can be identified for certain. This table is a guide only.

ID Range	Types of Targets
1-30	Iron
31-55	Small coins, fine jewelry, foil, US 5¢
56-85	Mid-sized coins, pull tabs, jewelry, US 1¢, pull tabs, US 10¢
86-99	Large coins, silver coins, US 25¢, Bottlecaps, silver coins, US 50¢

TARGET TONES

Groups of Target ID's are assigned Target Tones of different pitch so that the operator can broadly classify the Target ID without having to look at the display.

INTREPID has three Target Tones: Low, Medium and High. The tone break position is the point on the Target ID scale at which the Target Tone changes one pitch to another.



Batteries

Two 9V batteries are needed to power the INTREPID. Using alkaline batteries is recommended.

Replace the batteries when there are no segments remaining on the Battery Level Indicator.



Batteries need replacing

NOTE: Replace both batteries with fresh ones at the same time — do not mix old and new batteries.

NOTICE: Dispose of old batteries properly. Never bury or burn them.

NOTICE: If not using the detector for a week or longer, remove the batteries. Batteries can leak chemicals that can destroy electronic parts, so do not store the detector for long periods of time with batteries in it.

BATTERY LEVEL

The Battery Level Indicator shows the current battery level. The Battery Level Indicator is approximate only.

When the battery level is critically low, the detector will automatically shut-down.



The Battery Level Indicator

Detector Care and Safety

- Wash your hands before handling the detector after applying sunscreen or insect repellents.
- Do not use solvents to clean. Use a damp cloth with a mild soap detergent.
- Never allow the detector to come into contact with gasoline/petrol or other petroleum-based liquids.
- Avoid getting sand and grit in the shafts and fastenings (e.g. coil yoke assembly and camlocks). If sand and grit accumulates in these parts they should be wiped clean with a damp cloth.
- Do not bring the detector or accessories into contact with sharp objects as this may cause scratches and damage.
- If the shafts become noticeably scratched, wipe them thoroughly with a damp cloth.
- Do not leave the detector in excessive cold or heat longer than necessary. Covering it when not in use will help protect it. Avoid leaving it in a hot vehicle.
- Ensure the coil cable is in good condition and not subject to undue stress.
- Take precautions when transporting or storing the detector. Although the detector is constructed from the highest quality materials and has undergone rigorous durability tests, the display screen could be prone to scratching or serious damage if not treated with due care.
- Do not expose the detector to extreme temperature conditions. The storage temperature range is from -20°C to +70°C (-4°F to +158°F).
- Do not expose accessories not listed as waterproof to liquid/moisture or excessive humidity.
- Do not allow children to play with the detector or accessories; small parts are a choking hazard.
- Remove batteries prior to air transportation or for storage periods longer than one week.

Troubleshooting

Detector does not turn on, or turns off by itself

1. Replace the batteries.

Detector does not detect anything

2. Make sure you are sweeping the coil close enough to the ground (i.e. make sure the coil is close enough to the target to detect it).
3. Ensure that the Search Coil is connected properly.
4. Increase the Sensitivity level (page 9).

Erratic/excessive noise

5. Restart the detector and check for noise again.
6. Move away from local sources of electrical interference.
7. Reduce the Sensitivity level (page 9).

Multiple Target Groups are flashing, and there are lots of beeps

8. You may be detecting multiple different targets at the same time (overlapping objects).
9. The detected object is complex (rusty or made of multiple types of metal), so the detector is unable to properly identify it. Try approaching the target from different angles.

Technical Specifications

Operating Frequency	5.82 KHz
Sensitivity	5 levels
Volume	3 levels
Target Tones	3 tones (Low, Mid, High)
Discrimination Segments	4 segments
Pinpoint Mode	Yes
Target ID's	0 to 99
Depth Gauge	5 levels
Length	Extended: 55 in (140 cm) Collapsed: 28.3 in (72 cm)
Weight (excluding batteries)	2.7 lbs (1.2 kg)
Display	Monochrome LCD
Supplied Coil	10" Concentric
Audio Output	In-built loudspeaker
Additional Included Accessories	2 x 8V Batteries
Waterproof	Coil waterproof to 3.3 ft (1 m)
Operating Temperature Range	-10°C to +40°C (+14°F to +104°F)
Storage Temperature Range	-20°C to +70°C (-4°F to +158°F)

Equipment may vary according to the model or items ordered with your detector. Minelab reserves the right to respond to ongoing technical progress by introducing changes in design, equipment and technical features at any time. For the most up-to-date specifications for your INTREPID detector, visit www.minelab.com

Compliance

FEDERAL COMMUNICATIONS COMMISSION (FCC) STATEMENT

This device complies with part 15 of the FCC Rules. Operation is subject to the following two conditions:
(1) This device may not cause harmful interference, and
(2) this device must accept any interference received, including interference that may cause undesired operation.

US Responsible Party: MINELAB AMERICAS INC, 123 Ambassador Drive, Suite 123, Naperville, IL 60540, USA
ComplianceManager@minelab.com.au



This symbol indicates that the equipment and its electrical accessories should not be disposed of as household garbage. These items should not be disposed of as unsorted municipal waste and should be taken to a certified collection point for recycling and proper disposal. Refer 2012/19/EU (Waste Electrical and Electronic Equipment).

Ten symbol oznacza, że urządzenia i jego akcesoriów elektrycznych nie wolno wyrzucać razem z odpadami domowymi. Przedmiotów tych nie wolno wyrzucać razem z nieposortowanymi odpadami domowymi oraz należy je przekazać do certyfikowanego punktu zbiórki w celu recyklingu i właściwej utylizacji. Patrz Dyrektywę 2012/19/EU (Zużyty sprzęt elektryczny i elektroniczny).

SIMPLIFIED EU & UKCA DECLARATION OF CONFORMITY

Heraby, Minelab Electronics Pty Ltd declares that the radio equipment type [Refer to equipment listed in Table 1] complies with Directive 2014/53/EU and The Radio Equipment Regulations 2017 (S.I. 2017/1206). Full text of the EU & UKCA declarations of conformity are available at the following internet address:
www.minelab.com/compliance

UPROSZCZONA DEKLARACJA ZGODNOŚCI UE

Niniejszym firma Minelab Electronics Pty Ltd deklaruje, że typ urządzenia radiowego [patrz urządzenia wymienione w tabeli 1] jest zgodny z dyrektywą 2014/53/UE. Pełny tekst deklaracji zgodności UE jest dostępny pod następującym adresem internetowym:
www.minelab.com/compliance

Tabla | Tabel 1

INTREPID	5.82 kHz	< -90 dBm

EU Authorised Representative / Upoważniony przedstawiciel: Minelab International Ltd., Pentrose One, Pentrose Dock, T23KW81, Ireland | minelab@minelab.ie

This work is licensed under the Creative Commons Attribution-NonCommercial-NoDerivatives 4.0 International [CC BY-NC-ND 4.0] International License.

To view a copy of this license, visit: <http://creativecommons.org/licenses/by-nc-nd/4.0/>



Environmental Labelling
Umweltkennzeichnung
Étiquetage environnemental
Milieu Labelling
Etykietowanie środowiskowe
Etichetatura Ambientale



www.minelab.com

4801-0629-EN-1



www.minelab.com