

ELECTRIC BALLOON INFLATOR

EACH SET INCLUDES 1 INFLATOR, 1 EXTENDABLE TIP & 1 BALLOON KNOTTER



WARNING / CAUTION:

- Household use only.
- To reduce the risk of electric shock, do not expose to rain. Store indoors.
- To reduce the risk of electric shock, use indoors only.
- Never leave Balloon Inflator unattended while it is in use.
- Power supply must be AC 110V-120V (for U.S.). No batteries required.
- The Balloon Inflator is not a toy. Keep out of reach of children.
- Do not block the air intake grid on the bottom of the inflator or the air output inflation nozzle on the top of the inflator.
- Do not use or store the Balloon Inflator in damp or wet conditions.
- Do not look into output inflation nozzle or point at eyes while inflator is running.
- Do not put fingers into intake grid or output nozzle at any time.
- Do not allow sand, small rocks, etc. to be sucked into the intake grid when the inflator is working.
- The Balloon Inflator inflates with air.
- Do not use Balloon Inflator to inflate foil and twisty balloons.

- **WARNING:** Risk of injury – Do not direct air stream at body.
- **IMPORTANT:** Allow the inflator to rest for 5 minutes after 15 minutes of continuous use to avoid overheating and damage.

This appliance has a polarized plug (one blade is wider than the other).

This plug will fit in a polarized outlet only one way. If the plug does not fit fully in the outlet, reverse the plug.

If it still does not fit, contact a qualified electrician to install the proper outlet. Do not change the plug in any way.

SERVICING OF A DOUBLE-INSULATED PRODUCT

In a double-insulated product, two systems of insulation are provided instead of grounding.

No grounding means is provided on a double-insulated product, nor should a means for grounding be added to the product. Servicing of a double-insulated product requires extreme care and knowledge of the system, and should be done only by qualified service personnel. Replacement parts for a double-insulated product must be identical

HOW TO USE THE BALLOON INFLATOR:

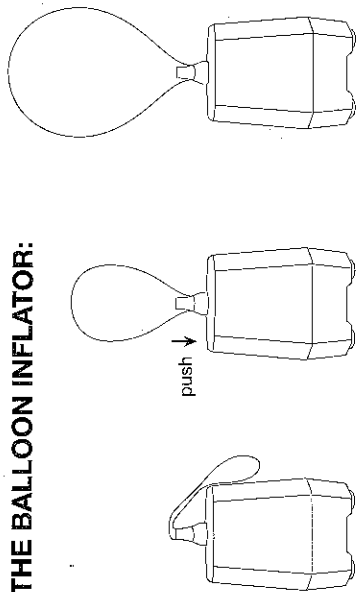


FIG 1
Place latex balloon stem fully over the push valve.

FIG 2
Holding the balloon stem in place, push valve down and hold to inflate.

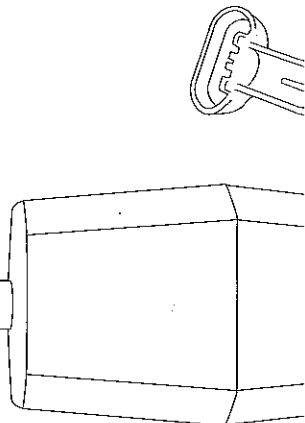
FIG 3
Once fully inflated, remove and tie off the balloon.

INSTRUCTIONS

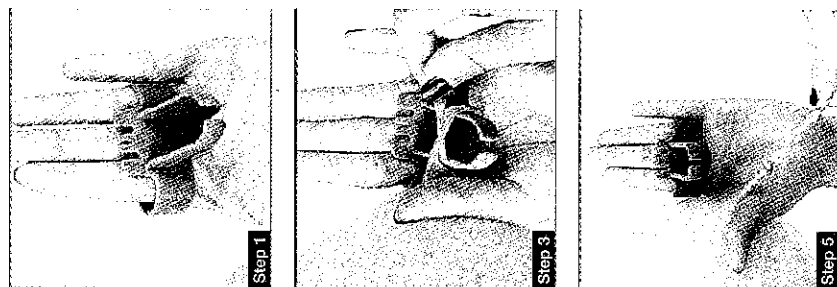
- Place the Balloon Inflator on a clean flat surface and plug into a grounded 110V-120V electric outlet.
- Based on the size of balloon, place the opening of the balloon over the nozzle or the screwed on adapter tip. Press down gently on the nozzle to turn the inflator on and inflate the balloon to the desired size.
- Release the inflator nozzle to stop air flow. Then pinch the balloon neck to keep the air in and remove from nozzle.
- Tie your balloon and repeat balloon inflation.
- Unplug the Balloon Inflator when not in use.

Screw the included adapter tip onto the top of the inflation nozzle to inflate smaller latex balloons.

(Tip: When inflating latex balloons, stretch the balloon before and during filling for easier inflation.)



BALLOON KNOTTER



INSTRUCTION:

- 1 Put the Balloon Knotter on your fingers.
- 2 Stretch the balloon neck.
- 3 Wrap the balloon neck around the Balloon Knotter.
- 4 Knot the balloon neck in the slot.
- 5 Slide the knot off the bottom of the Balloon Knotter.

** BALLOONS NOT INCLUDED

** NOT SUITABLE FOR FOIL AND TWISTY BALLOONS