

# 12" Ring Light with 67" Tripod Stand

---

**Support:**  
**Customercare@ubeesize.com**



————— **Operating Instructions** —————

# Compact and Durable Structure

---



# How to assemble the ring light

---



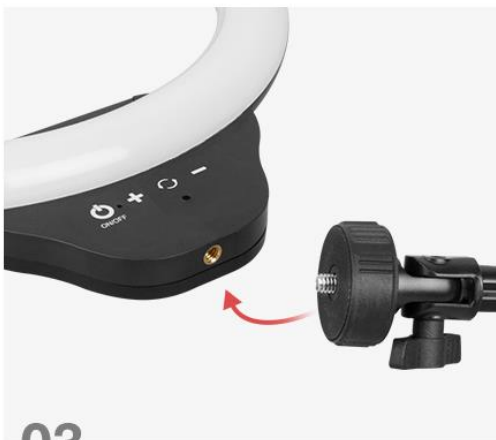
01

Open the tripod stand



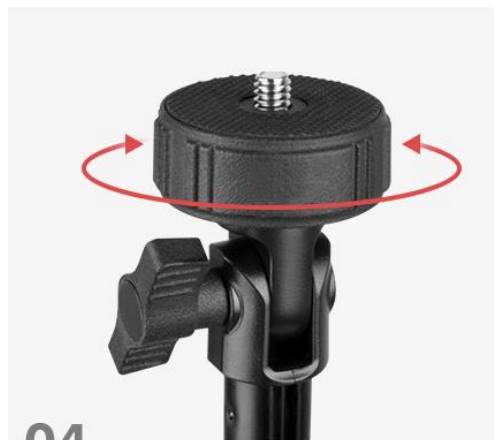
02

Extend the stick



03

Attach the ring light to the tripod head



04

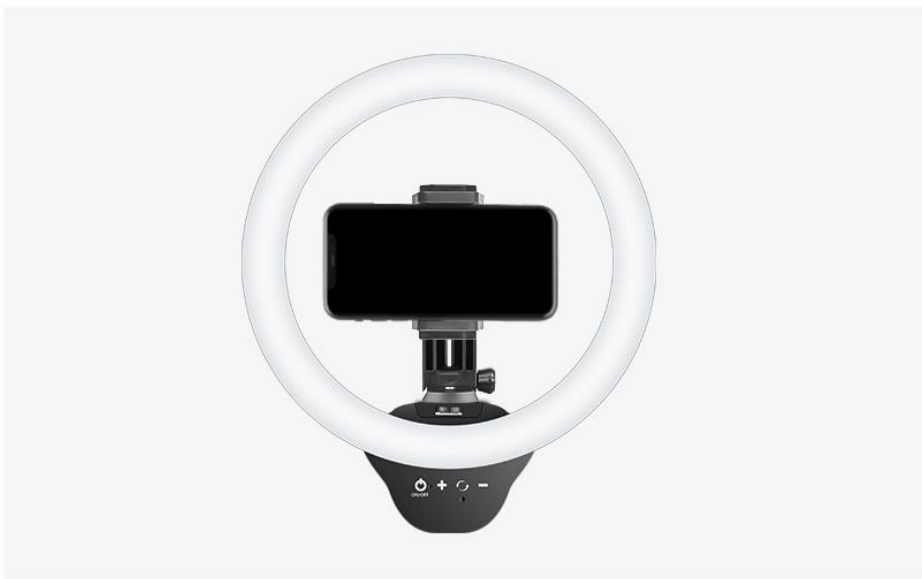
Set your shooting angle by adjusting the tripod head

## How to attach the phone holder

---

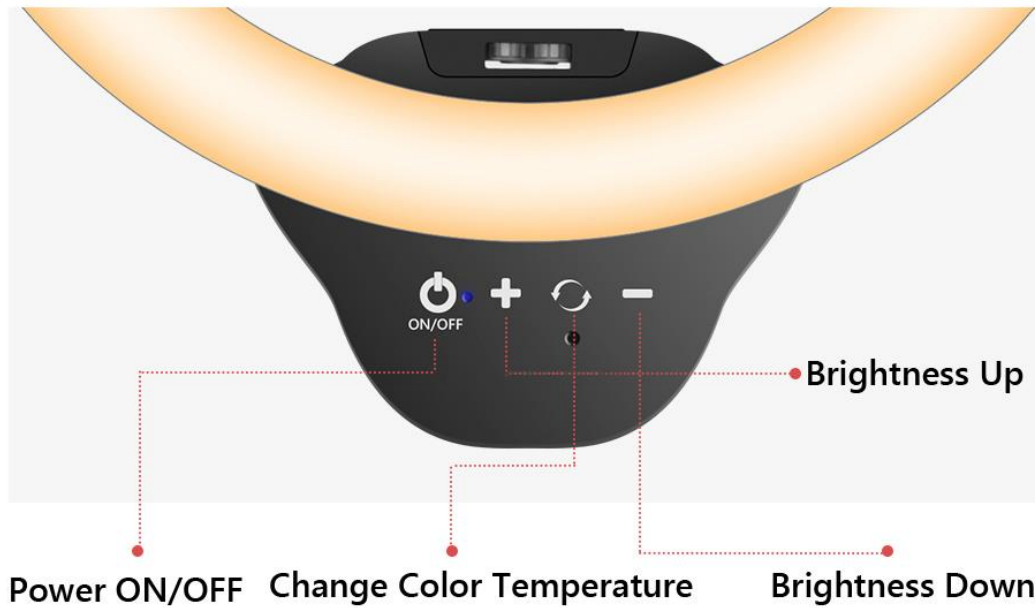


Attach the phone clamp to the standard screw interface on the ring light.  
Phone clamp can be adjusted 360 degrees.



# How to choose the lighting mode

---



Desktop Computer



Power Bank



Laptop

**The Tripod Stand Can be used alone  
as selfie stick and cell phone tripod!**



# Package Includes

---



- ① 1\* 62" Tripod
- ② 1\* 12" Ring Light
- ③ 1\* Phone Holder

- ④ 1\* Bluetooth Remote
- ⑤ 1\* User Manual
- ⑥ 1\* USB Cable