

Actuonix Linear Actuator Accessories – DPDT Relay Kit

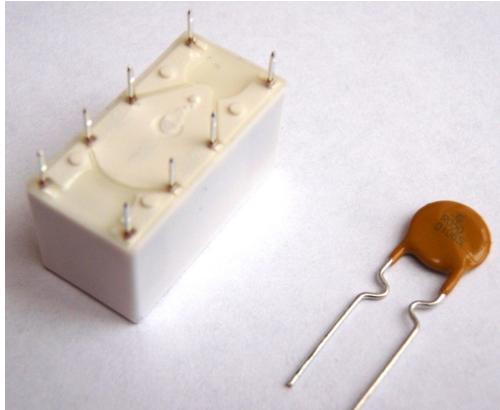
Use this kit to connect your –S type linear actuator to a voltage source and be able to control the direction automatically with another analog signal or a single push button type switch. Use this schematic when you want simple control of the actuator to either open or close fully and when you want it triggered by some other electronic device. The included fuse will protect the circuit from shorts and overloading. Not included in this kit, is the required power supply (12volts DC) and connecting wires.

Contents:

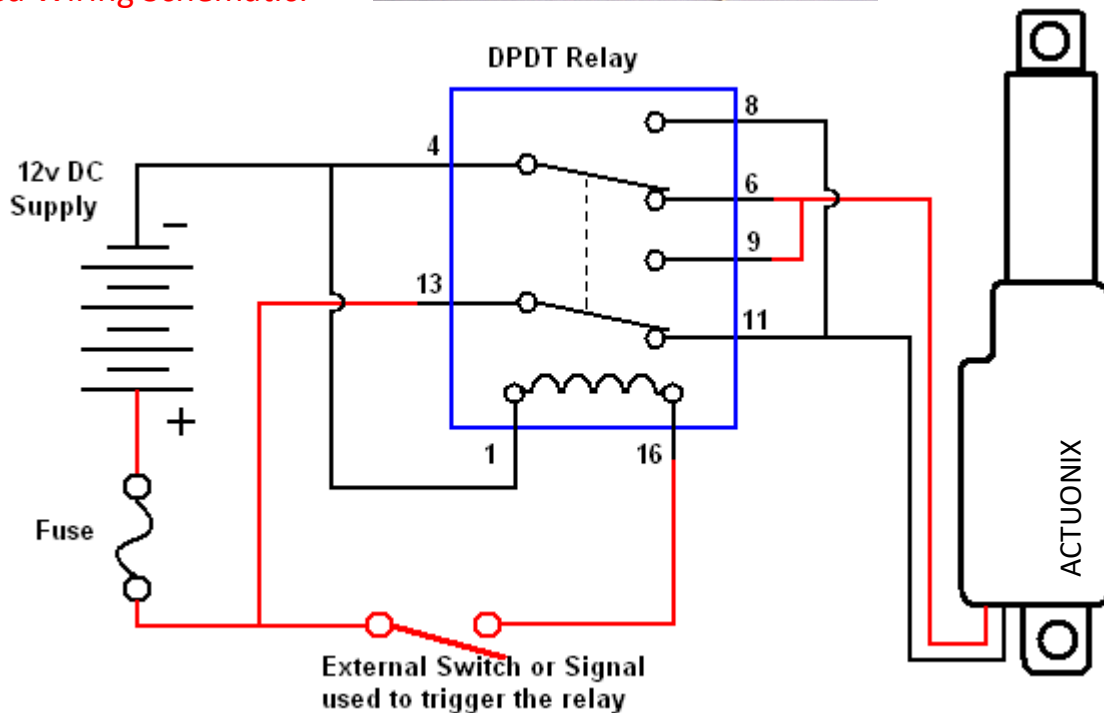
- 1 DPDT relay
- 1 fuse

For Use With:

- PQ12 & L12 –S actuators
- L16, P16 & T16 –S actuators



Suggested Wiring Schematic:



Notes:

- For more details on each component see: http://www.actuonix.com/category_s/1930.htm
- To connect a PQ12 actuator, use pins 2 & 3 on the PQ12 connector.
- Variations of this schematic include using a timer relay, to continuously open and close the actuator at regular intervals, or to use a latching relay to automatically open or close the actuator with each button press.

REV B September 2016



Actuonix Motion Devices Inc
580 Starling Lane
Victoria, BC, V9E 2A9
Canada

1 (206) 347-9684 phone
1 (888) 225-9198 toll-free
1 (206) 347-9684 fax

sales@actuonix.com
www.actuonix.com