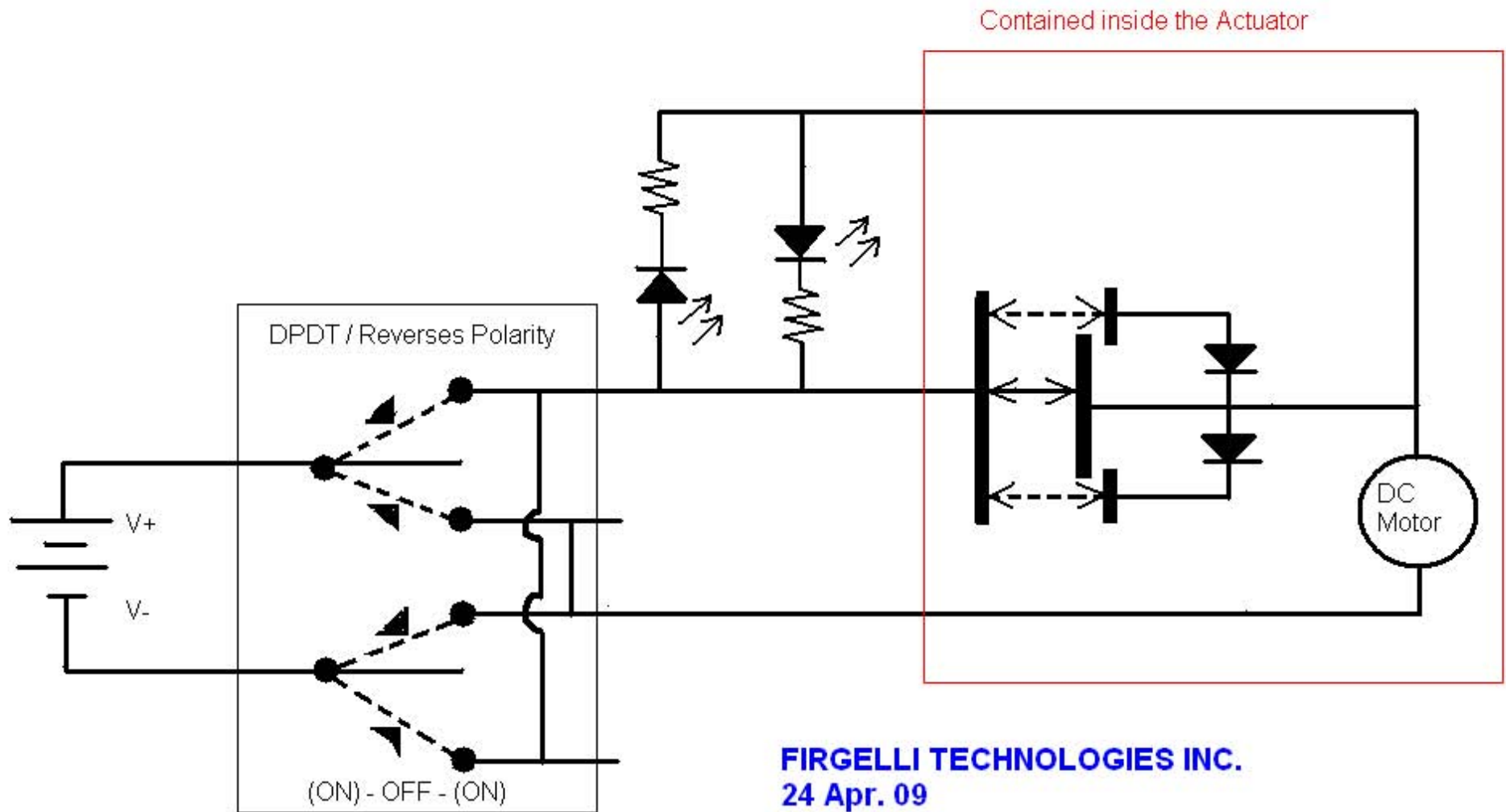


Linear Actuator Schematic:

With internal limit switches and LED's to indicate end of stroke limit has been reached.



FIRGELLI TECHNOLOGIES INC.
24 Apr. 09