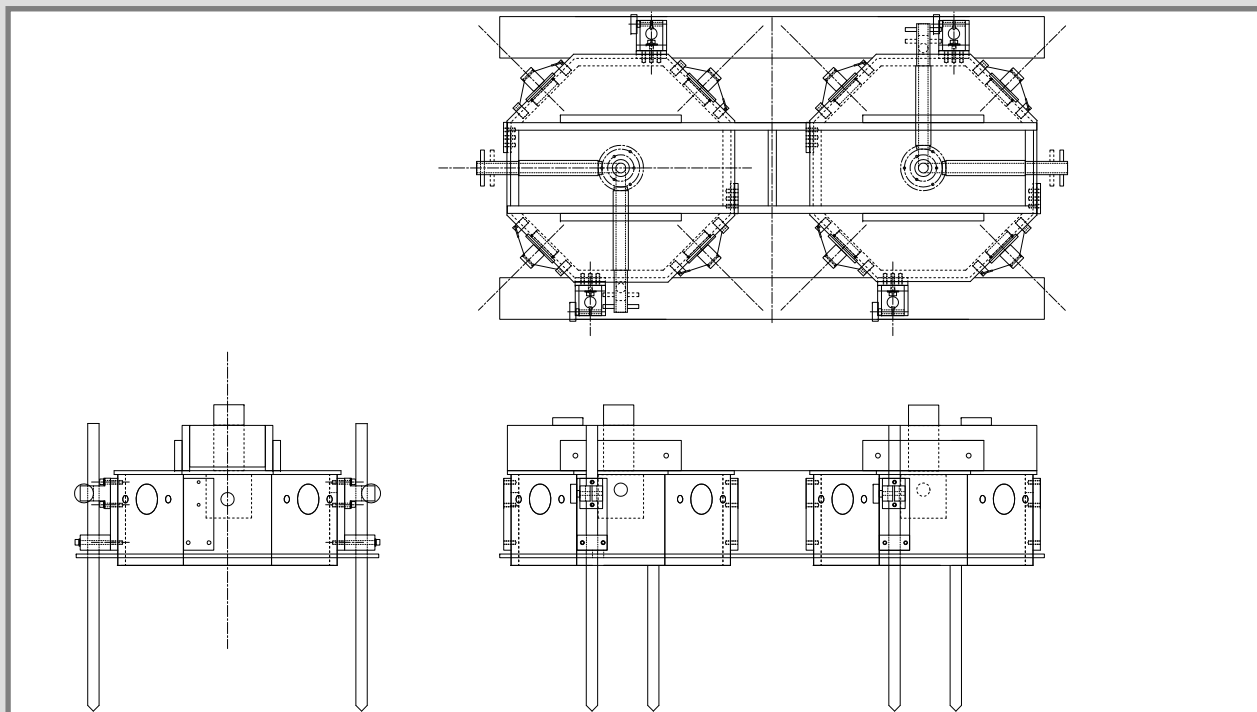




The miracles of science®

Flux Chamber Designed For Mercury Contaminated Sediments



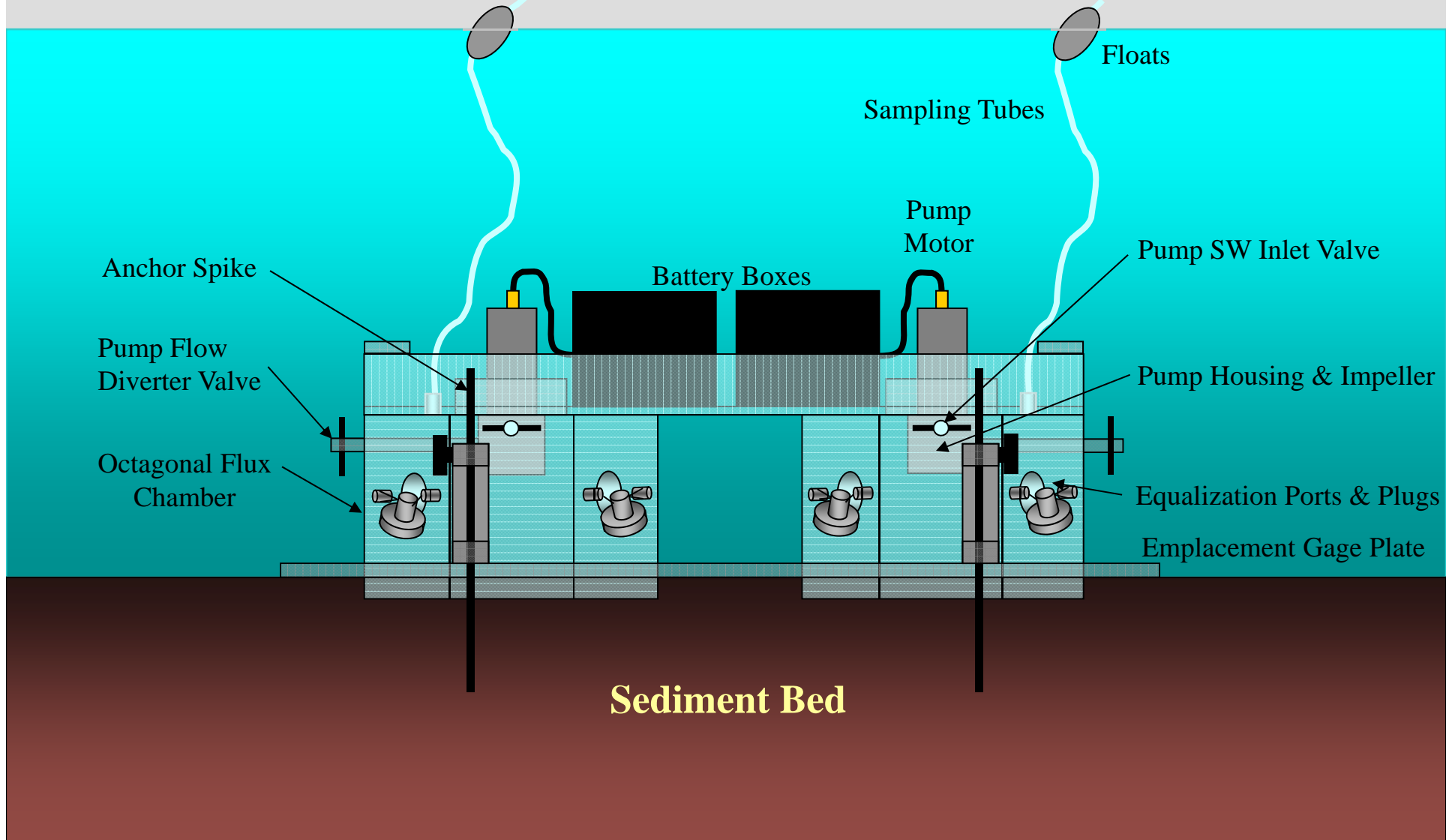
April 12, 2005

Rich Landis - DuPont

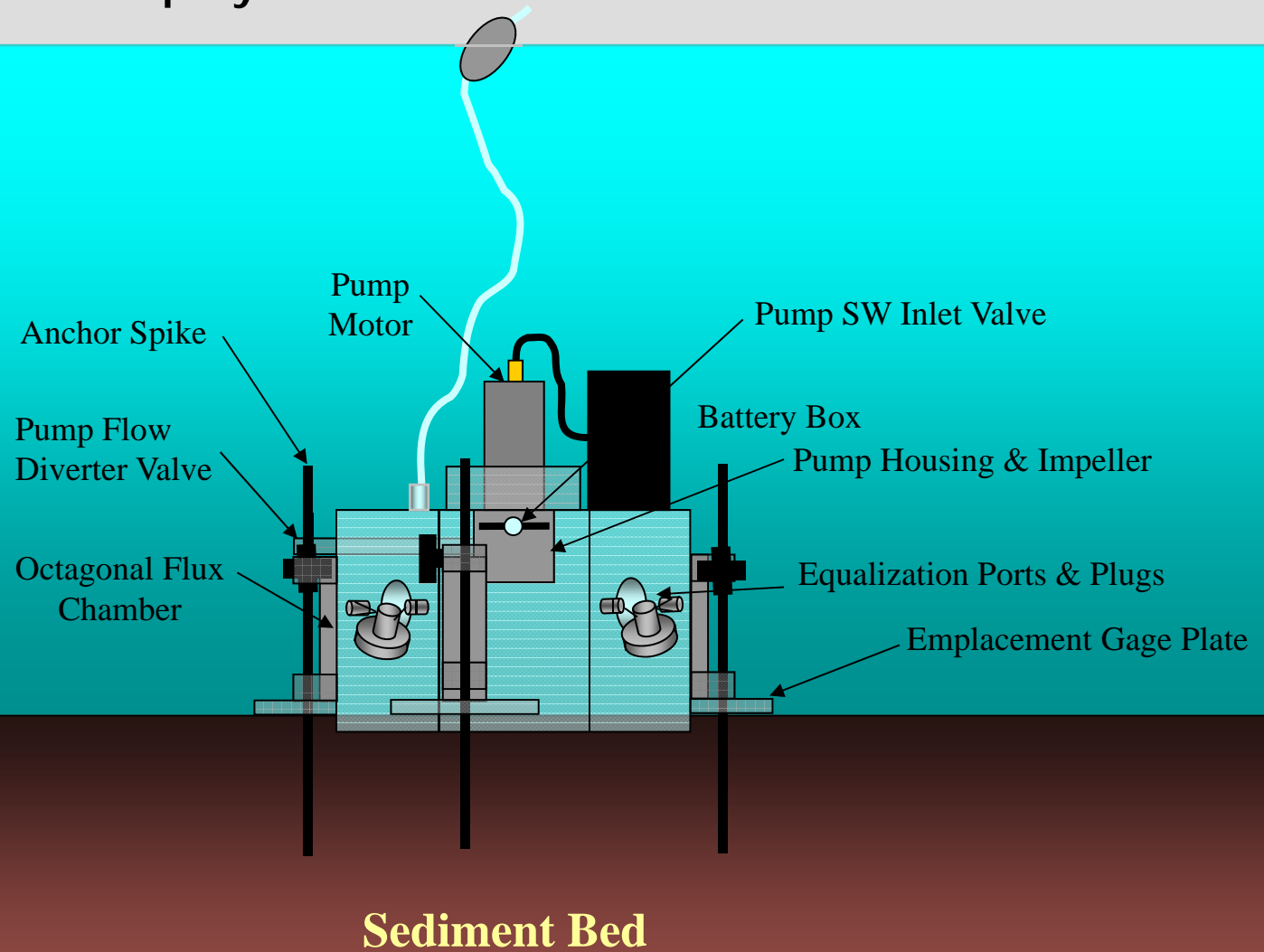
“The Plan”

- Deploy flux chambers at Dooms Pond area
 - Depositional areas will be the primary focus
 - Looking at 2 to 3 locations
- Measure methyl mercury flux
 - Ralph Turner will assist with Hg sampling, DO, etc.
 - Samples will be taken hourly (<50% DO₀ or 5 hours)
- Proposed deployment timing looks like the 3rd week of May
- Looking for volunteers to assist with the efforts

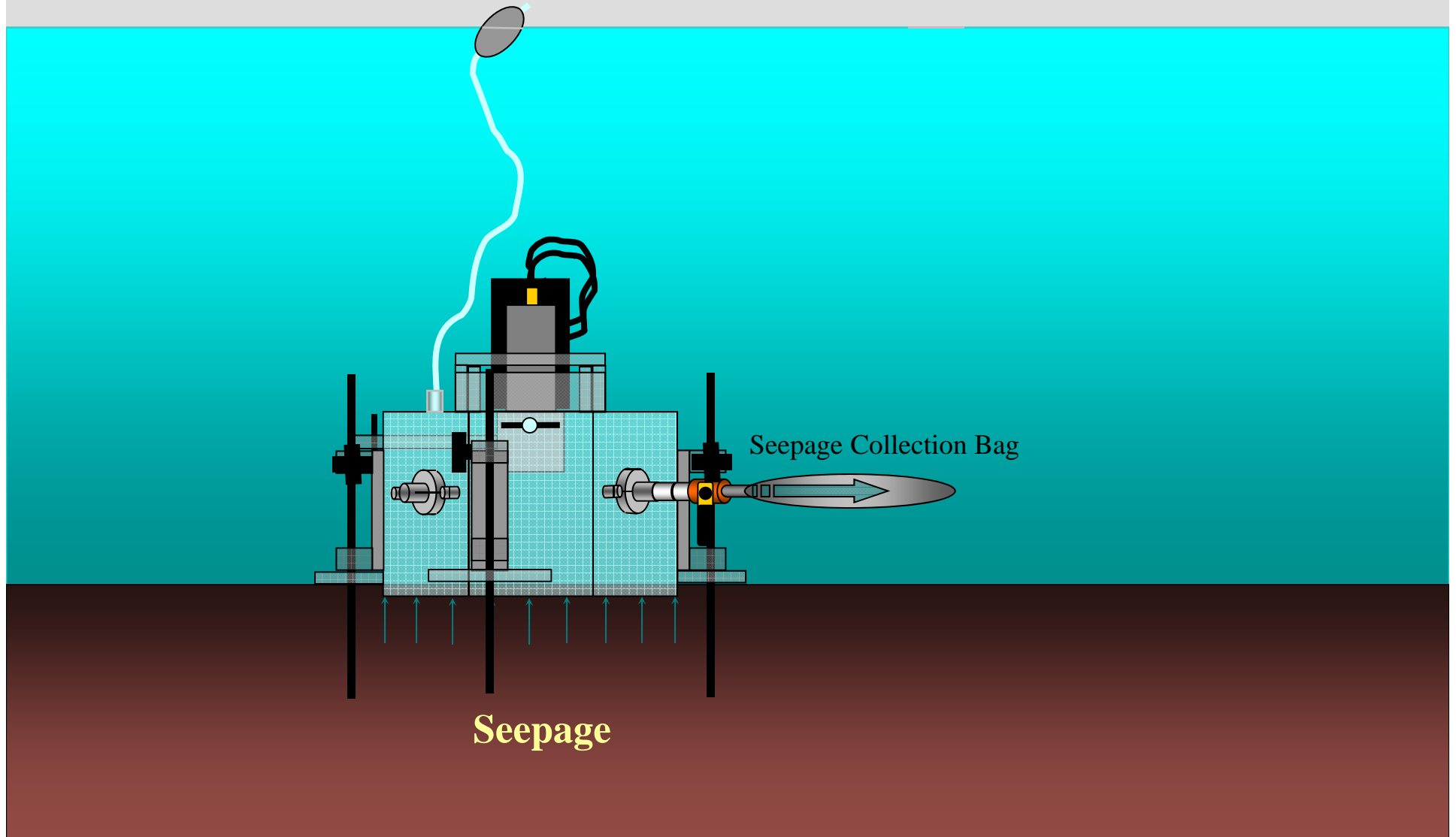
Flux Chamber Deployment Schematic



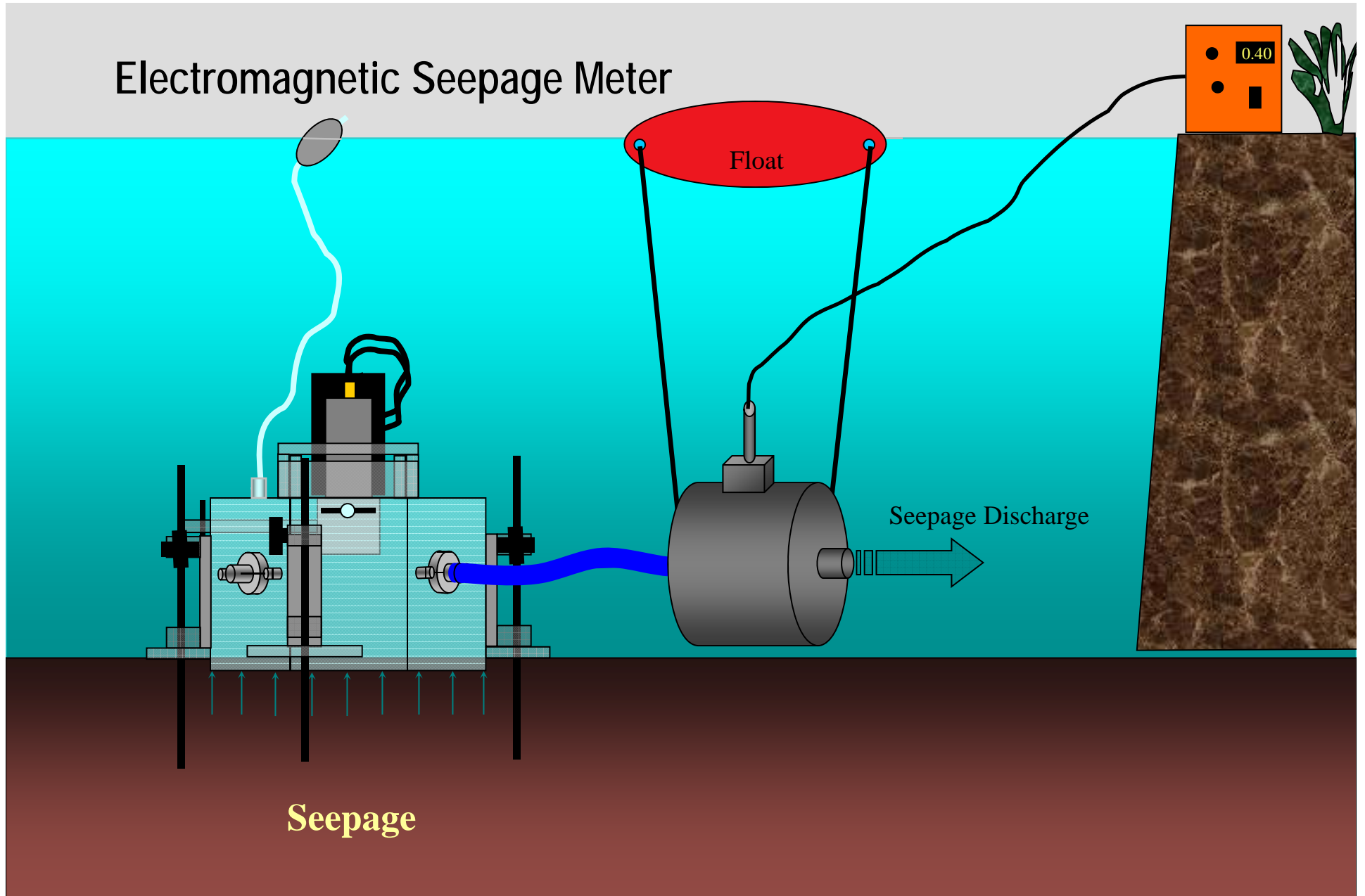
Flux Chamber Deployment Schematic



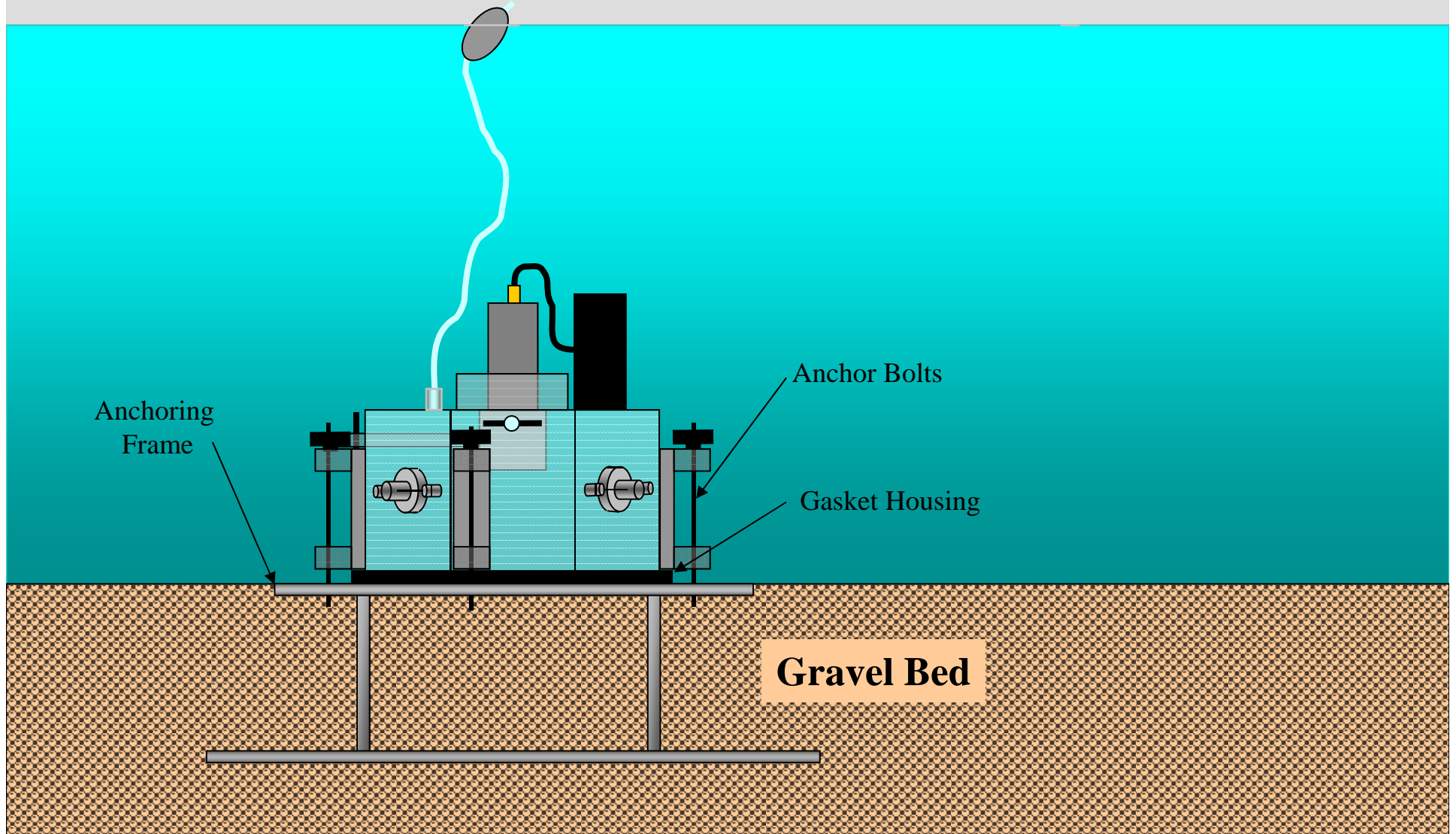
Tedar Seepage Collection Bag



Electromagnetic Seepage Meter



Flux Chamber Deployment Schematic



Path Forward

- Deploy flux chambers are currently being cleaned
- Develop of sampling needs April 13 with Ralph Turner
- Need to get permission from Tommy Doods prior to mobilization



The miracles of science®