



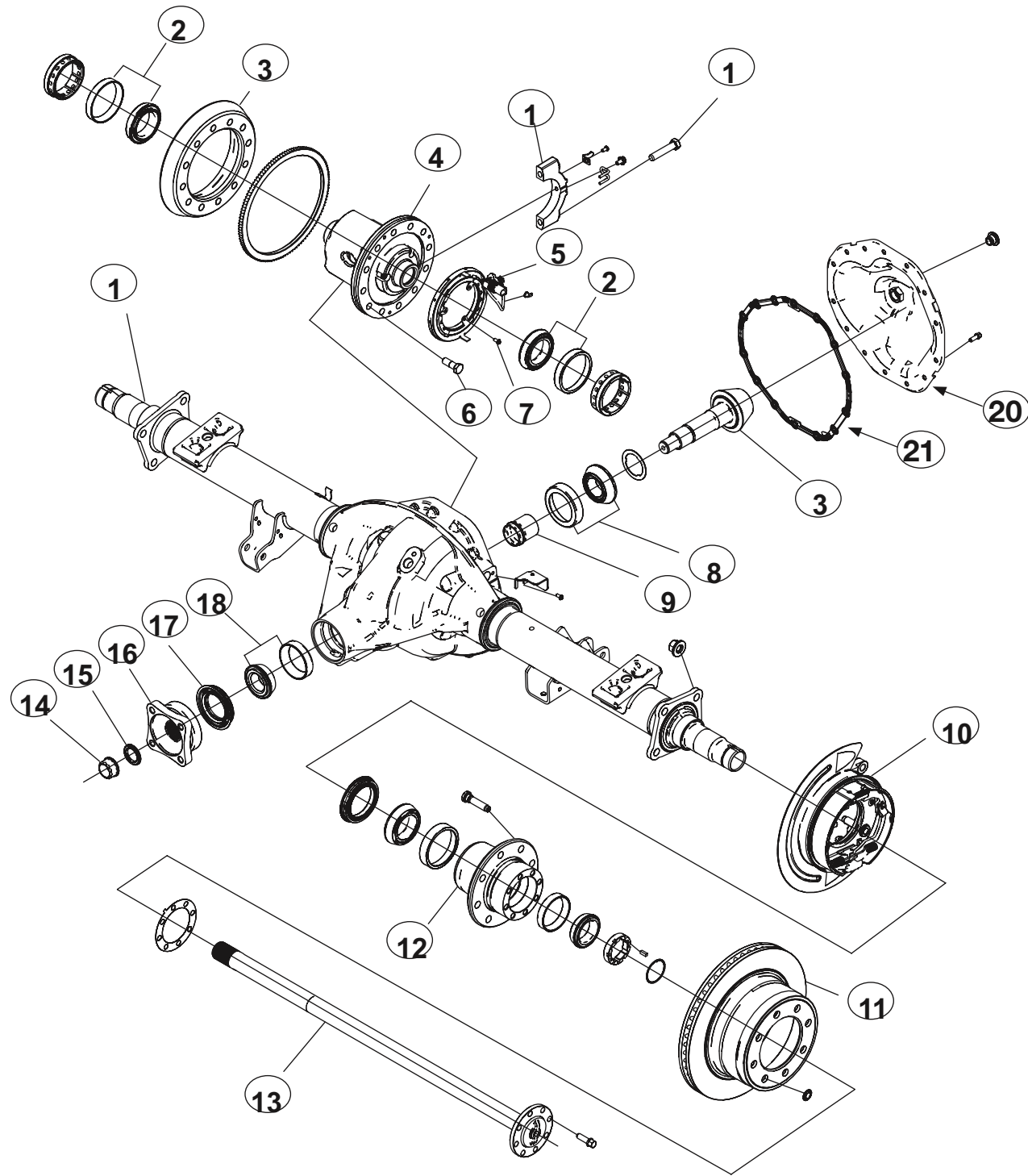
Demand the original.

Axle Components | Driveshaft Components | Repair Kits



AAM 1050 14 BOLT with e-lock

Ram 10.5" Rear Axle



ILL #	AAM PART NUMBER	DESCRIPTION	REQ	USAGE	MODEL YEAR
1		AXLE HOUSING		FOR REFERENCE ONLY	
2	9436881	DIFF. CASE BEARING ASM (CUP & CONE)	2	DR/DH	2005+
3	40009354	RING & PINION GEAR SET (4.56 RATIO; 2 CUT)	1	DR/DH	2005+
4	40047275	DIFFERENTIAL CASE & COIL ASM. (TRACRITE® GTL - ELECTRONIC)	1	POWERWAGON	2005+
5		COIL ASM	1	DR/DH	2005+
6	40022812	RING GEAR BOLT W/ ADHESIVE	12	DR/DH	2005+
7	40030475	SCREW COIL TARGET BRACKET & CONNECTOR	5	DR/DH	2005+
8	40012648	LARGE PINION BEARING ASM (CUP & CONE)	1	DR/DH	2005+
9	40010207	COLLAPSIBLE SPACER	1	DR/DH	2005+
10		PARK BRAKE ASM		FOR REFERENCE ONLY	
11		ROTOR		FOR REFERENCE ONLY	
12		HUB ASM		FOR REFERENCE ONLY	
13	40022279	AXLE SHAFT (935 MM; 30 TOOTH; 8 BOLT)	2	DR/DH	2005+
14	40003027	PINION NUT	1	DR/DH	2005+
15	40003255	PINION NUT WASHER	1	DR/DH	2005+
16	40047864	PINION YOKE (PILOTED)	1	DR/DH	2005+
17	40022855	PINION FLANGE	1	DR/DH	2005+
18	9418356	SMALL PINION BEARING ASM (CUP & CONE)	1	DR/DH	2005+
19	AVAILABLE IN KIT ONLY	EXCITER RING	1	DR/DH	2005+
20	40015796	COVERPAN	1	DR/DH	2005+
21	40011815	RUBBER OVER METAL COVERPAN GASKET	1	DR/DH	2005+

VEHICLE REFERENCE GUIDE

RAM 2500/3500 POWERWAGON 2003+



Demand the original.

Axle Components | Driveshaft Components | Repair Kits



AAM 1050 14 BOLT with e-lock

Ram 10.5" Rear Axle

74010013 10.5" REAR 14 BOLT - MASTER INSTALL KIT

Ram 2500/3500

MODEL YEAR 2003 to Current

AAM PART #	DESCRIPTION	QTY
40002169	COVERPAN BOLT W/ ADHESIVE	14
40010027	RUBBER OVER METAL COVERPAN GASKET	1
26060977	PINION SEAL SLEEVE	1
40007601	MAGNETIC FILL/DRAIN PLUG	1
	TRIPLE LIP PINION SEAL	1
40010207	COLLAPSIBLE SPACER	1
40020799	HUB SEAL	2
	PINION SHIM	15
40020764	HEX BOLT W/ ADHESIVE	16
40022812	RING GEAR BOLT W/ ADHESIVE	12
40003255	PINION NUT WASHER	1
40003027	PINION NUT	1

74049286 10.5" REAR 14 BOLT - 30 TOOTH - DIFFERENTIAL GEAR KIT

Ram 2500/3500

MODEL YEAR 2003 to Current

AAM PART #	DESCRIPTION	QTY
	PINION GEAR	2
	SIDE THRUST WASHER	2
	SIDE GEAR	2
	PINION SHAFT	1
	PINION THRUST WASHER	2
	EXCITER RING	1

74030015 10.5" REAR 14 BOLT - COVERPAN KIT

Ram 2500/3500

MODEL YEAR 2003 to Current

AAM PART #	DESCRIPTION	QTY
40012622	COVERPAN	1
40010027	RUBBER OVER METAL COVERPAN GASKET	1
40002169	COVERPAN BOLT W/ ADHESIVE	14
40007601	MAGNETIC FILL/DRAIN PLUG	1

74020012 10.5" REAR 14 BOLT - PINION SEAL KIT

Ram 2500/3500

MODEL YEAR 2003 to Current

AAM PART #	DESCRIPTION	QTY
	TRIPLE LIP PINION SEAL	1
40010207	COLLAPSIBLE SPACER	1
26060977	PINION SEAL SLEEVE	1
40003027	PINION NUT	1
40003255	PINION NUT WASHER	1

74070005 10.5" REAR SINGLE WHEEL - WHEEL END KIT

Ram 2500/3500

MODEL YEAR 2003 to Current

AAM PART #	DESCRIPTION	QTY
40105400RACE	INNER WHEEL END RACE	1
40105400CONE	INNER WHEEL END BEARING	1
9428909	OUTER WHEEL END BEARING	1
9428539	OUTER WHEEL END RACE	1
40015029	HUB SEAL	2
341509	HUB NUT	2
40047505	HUB GASKET	2
	RETAINING RING - HUB	2
	HUB NUT LOCK	2
40020764	HEX BOLT W/ ADHESIVE	16

74067010 10.5" REAR 14 BOLT - MASTER BEARING KIT

Ram 2500/3500

MODEL YEAR 2003 to Current

AAM PART #	DESCRIPTION	QTY
	PINION HEAD BEARING ROLLER	1
	PINION HEAD BEARING RACE	1
	PINION TAIL BEARING ROLLER	1
	PINION TAIL BEARING RACE	1
	PINION NUT	1
	PINION NUT WASHER	1
	COLLAPSIBLE SPACER	1
	DIFF BEARING ROLLER	2
9436881	DIFF BEARING RACE	2
	PINION SEAL	1

VEHICLE REFERENCE GUIDE

RAM 2500/3500 2003+