

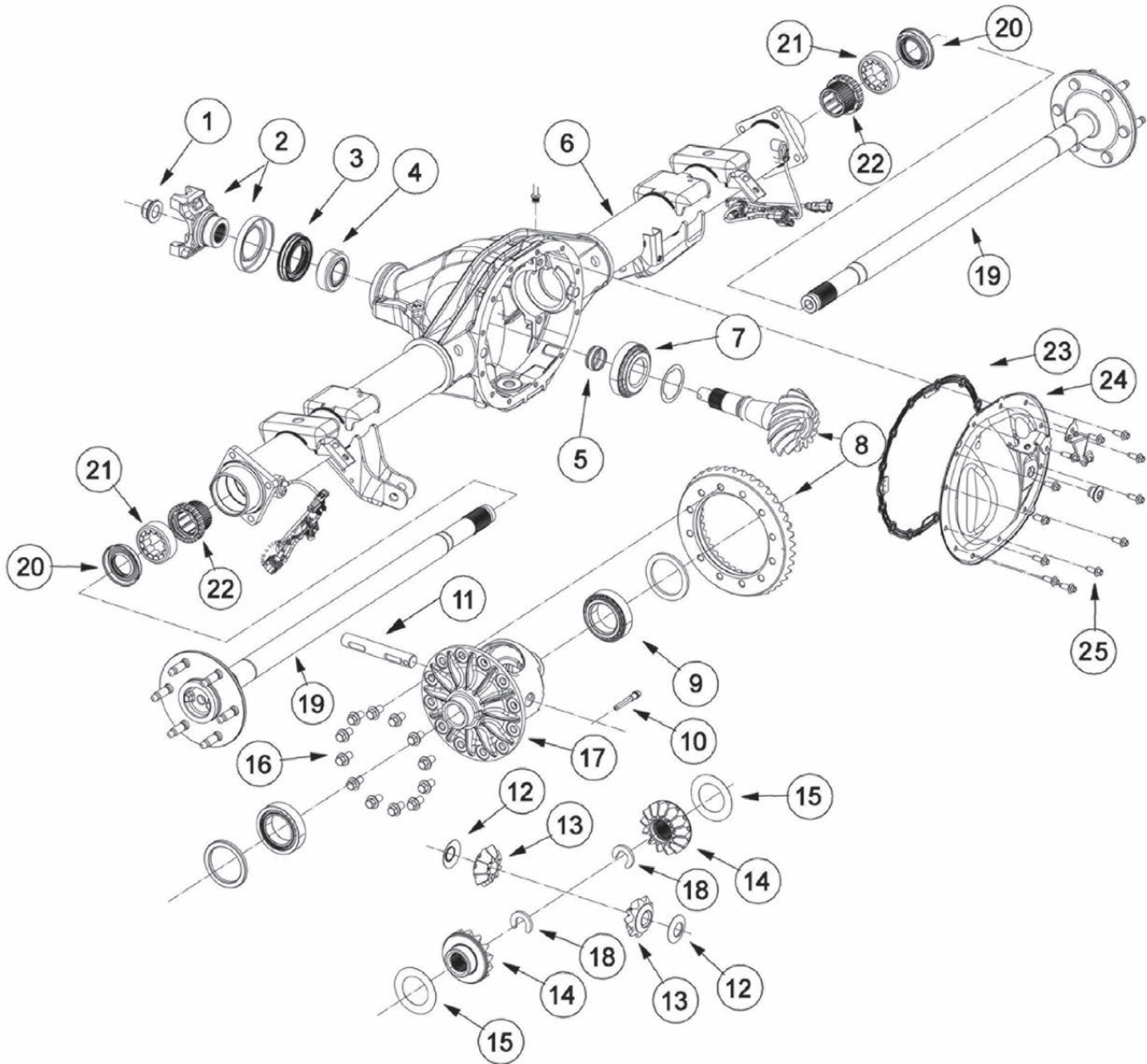


# Demand the original.

Axle Components | Driveshaft Components | Repair Kits

## AAM 9.5" Salisbury (12-Bolt)

## GM 9.5" REAR AXLE



### VEHICLE REFERENCE GUIDE

#### LIGHT DUTY PICKUP (15 SERIES) 5.3L V8 ENGINE

CHEVROLET: SILVERADO (REG CAB: 6.5' & 8.0' BOX; EXT CAB: 6.5' BOX, CREW CAB 5.8' & 6.5' BOX)

GMC: SIERRA (REG CAB: 6.5' & 8.0' BOX; EXT CAB: 6.5' BOX, CREW CAB 5.8' BOX), SIERRA DENALI (CREW CAB 5.8' & 6.5' BOX)

#### SPORT UTILITY VEHICLES (15 SERIES) 5.3L V8 ENGINE

CHEVROLET: TAHOE, SUBURBAN

GMC: YUKON, YUKON XL

ILL #	AAM PART NUMBER	OE PART NUMBER	DESCRIPTION	REQ	USAGE	MODEL YEAR
1	40037574	92230391	PINION NUT	1		2014 +
2	40087159	23114034	1355 PINION YOKE (SUV)	1		2014 +
2	40088785	22954188	1415 PINION YOKE (P/U)	1		2014 +
3	40088808	22943111	PINION SEAL	1		2014 +
4	40038907	22943108	PINION TAIL BEARING ASSY (CUP & CONE)	1		2014 +
5	40099601	22943114	CRUSH SLEEVE (COLLAPSIBLE SPACER)	1		2014 +
6			AXLE HOUSING		FOR REFERENCE ONLY	
7	40051302	22943106	PINION HEAD BEARING ASSY (CUP & CONE)	1		2014 +
1, 3, 5, 8	95K2308GEARKIT		RING & PINION GEAR KIT (3.08 RATIO)	1		2014 +
1, 3, 5, 8	95K2342GEARKIT		RING & PINION GEAR KIT (3.42 RATIO)	1		2014 +
1, 3, 5, 8	95K2410GEARKIT		RING & PINION GEAR KIT (4.10 RATIO)	1		2014 +
9	40081078	22786619	DIFF. CASE BEARING ASM (CUP & CONE)	2		2014 +
16	40064367	11546991	RING GEAR BOLTS	12		2014 +
17	40090727	22943115	DIFFERENTIAL CASE WITH INTERNAL GEARS - 3.23 RATIO AND LOWER	1		2014 +
17	40090728	22943116	DIFFERENTIAL CASE WITH INTERNAL GEARS - 3.42 RATIO AND HIGHER	1		2014 +
18	14012746		AXLE C LOCK	2		1986 +
19	40103091		AXLE SHAFT - LH / RH (PICK UP ONLY)	2		2014 +
19	40103092		AXLE SHAFT - LH / RH (SUV ONLY)	2		2014 +
20	40001710	12471686	WHEEL BEARING SEAL	2		1998 +
21	40008157	12479031	WHEEL BEARING	2		2002 +
22	40030759	15286384	ABS EXCITER RING	2		2007 +
23	40088005	22943110	COVER PAN GASKET	1		2014 +
24	40089652	22951487	COVER PAN	1		2014 +
25	40089728	11546347	COVER PAN BOLTS	12		2014 +
1, 3, 4, 5, 7, 9	74067020		MASTER BEARING KIT			2014 +