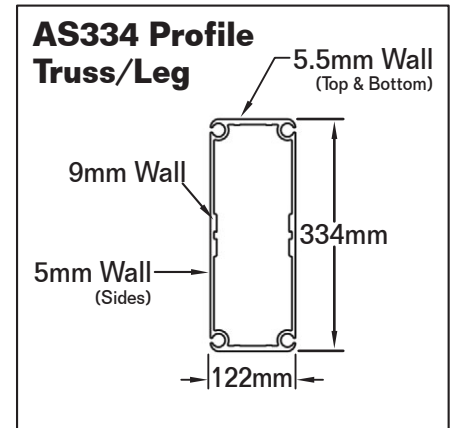
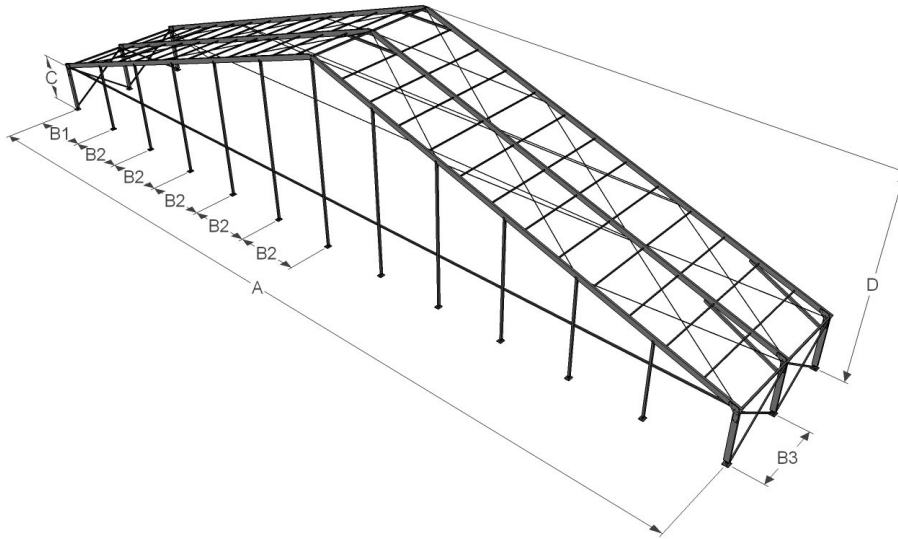


AMERISPAN

BY EVENTEC

AS334 60m (197') Width, 4.0m Leg Standard Structure



Dimensions and Technical Specifications

All Dimensions On Center

(A) Width	60.20m	197.42ft
(B1) Gable Leg Distance	5.10m	16.76ft
(B2) Gable Leg Distance	5.00m	16.40ft
(B3) Truss/Leg Distance	5.00m	16.40ft
(C) Eave Height	3.83m	12.55ft
(D) Ridge Height	13.58m	44.56ft

Compatible with Glasswall or Hardwall Systems

Roof Slope	18 degrees
------------	------------

Extruded Aluminum Parts

Hollow, Tracked Profile Shown Above
6005A-T5 and 6061-T6 Aluminum
Clear Anodized 204-R1 Finish

Steel Parts

A36 Structural Steel
A656 for Leg Reinforcement Plates
Hot-Dip Galvanized for Corrosion Resistance

AS334 X-Bracing

Two 5m Bays Containing X-Bracing and Rafter
Cables Can be Followed with Up To Four
Open 5m Bays Without X-Braces or Cables

*Technical specifications may change at any time
without notice. ©2012 Eventec

Available Exclusively From:

