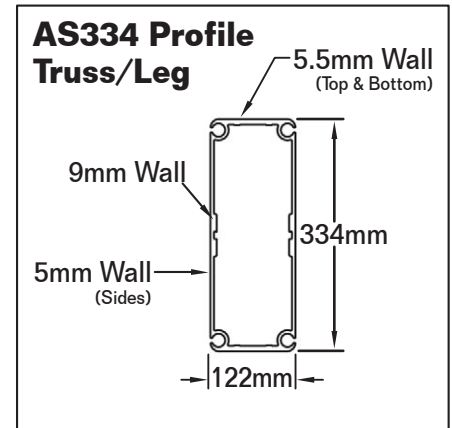
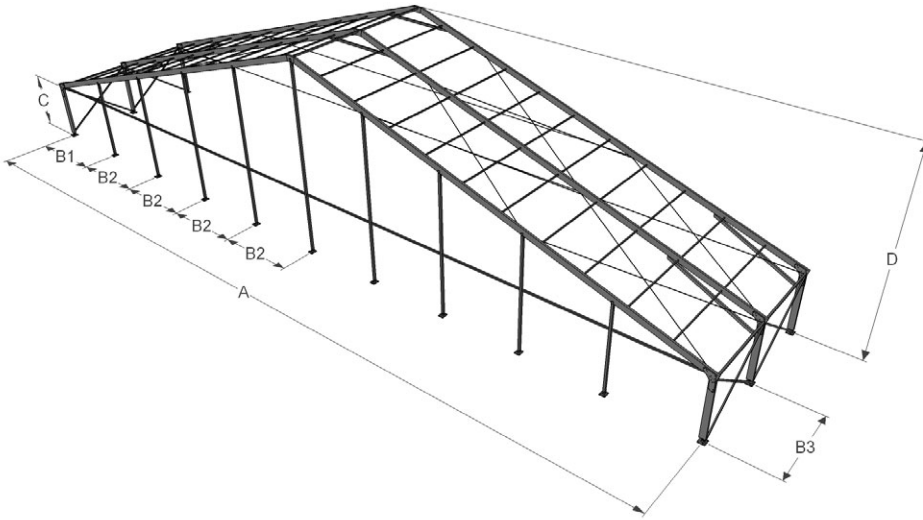


# AMERISPAN

BY EVENTEC

## AS334 50m (164') Width, 4.0m Leg Standard Structure

Also Available in 5.4m Leg



### Dimensions and Technical Specifications

#### All Dimensions On Center

(A) Width	50.20m	164.64ft
(B1) Gable Leg Distance	5.10m	16.76ft
(B2) Gable Leg Distance	5.00m	16.40ft
(B3) Truss/Leg Distance	5.00m	16.40ft
(C) Eave Height	3.83m	12.55ft
(D) Ridge Height	11.95m	39.21ft

For 5.4m Leg, Add 4.59ft (1.4m) to Eave & Ridge Heights

#### Compatible with Glasswall or Hardwall Systems

Roof Slope	18 degrees
------------	------------

#### Extruded Aluminum Parts

Hollow, Tracked Profile Shown Above  
6005A-T5 and 6061-T6 Aluminum  
Clear Anodized 204-R1 Finish

#### Steel Parts

A36 Structural Steel  
A656 for Leg Reinforcement Plates  
Hot-Dip Galvanized for Corrosion Resistance

#### AS334 X-Bracing

Two 5m Bays Containing X-Bracing and Rafter  
Cables Can be Followed with Up To Four  
Open 5m Bays Without X-Braces or Cables

\*Technical specifications may change at any time  
without notice. ©2012 Eventec

Available Exclusively From:

