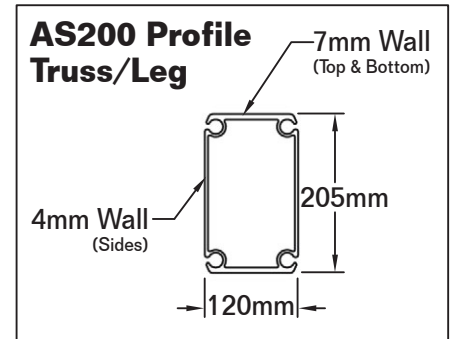
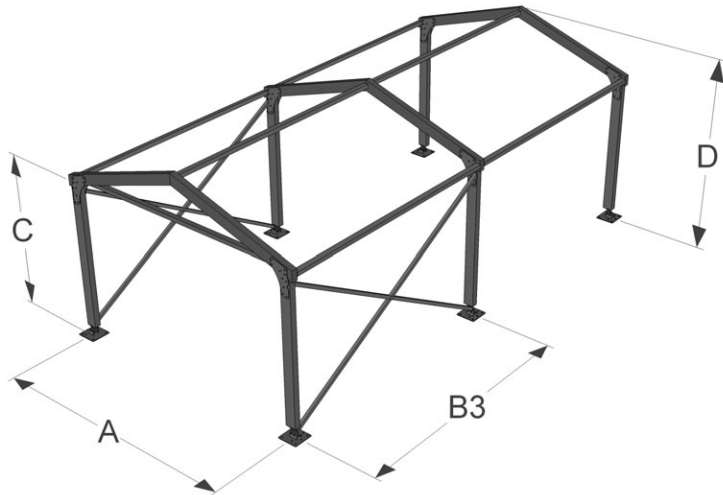


AMERISPAN

BY EVENTEC

AS200 5m (16.5') Width, 3.4m Leg
Standard Structure
 Also Available in 4.0m & 5.4m Leg



Dimensions and Technical Specifications

All Dimensions On Center

(A) Width	5.08m	16.60ft
(B3) Truss/Leg Distance	5.00m	16.40ft
(C) Eave Height	3.25m	10.65ft
(D) Ridge Height	4.17m	13.69ft

For 4.0m Leg, Add 1.97ft (0.6m) to Eave & Ridge Heights
 For 5.4m Leg, Add 6.56ft (2.0m) to Eave & Ridge Heights

Compatible with Glasswall or Hardwall Systems

Roof Slope	18 degrees
------------	------------

Extruded Aluminum Parts

Hollow, Tracked Profile Shown Above
 6061 T-6 Aluminum
 Clear Anodized 204-R1 Finish

Steel Parts

A36 Structural Steel
 A572 Grade 50 for Leg Reinforcement Plates
 Hot-Dip Galvanized for Corrosion Resistance

AS200 X-Bracing

One 5m Bay Containing X-Bracing and Rafter Cables Can be Followed with Up To Five Open 5m Bays Without X-Braces or Cables

*Technical specifications may change at any time without notice. ©2017 Eventec

Available Exclusively From:

