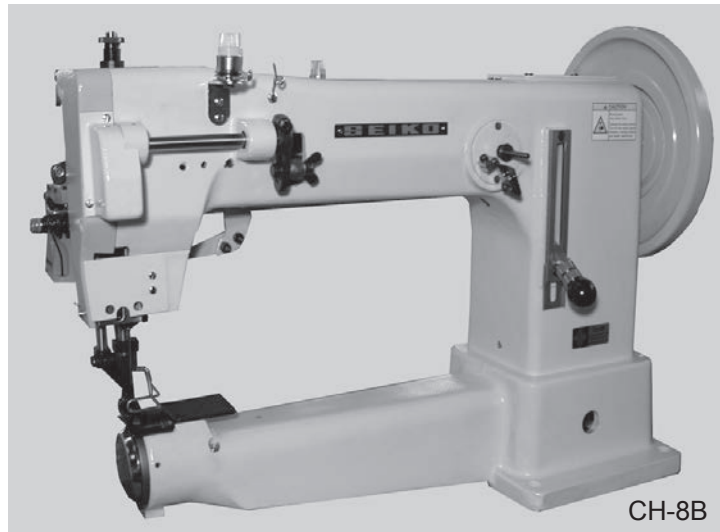


CH series

Single needle, Extra heavy duty, Large oscillating shuttle hook, Reverse stitch, Long arm, Cylinder bed, Lockstitch machines



CH-8B

Variety



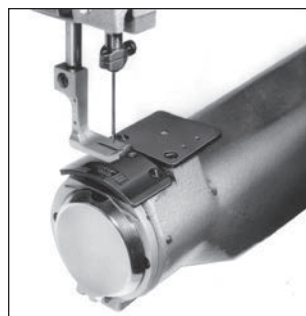
CH-7B

Compound feed



CH-8B

Compound feed and walking foot



CH-7B



CH-8B

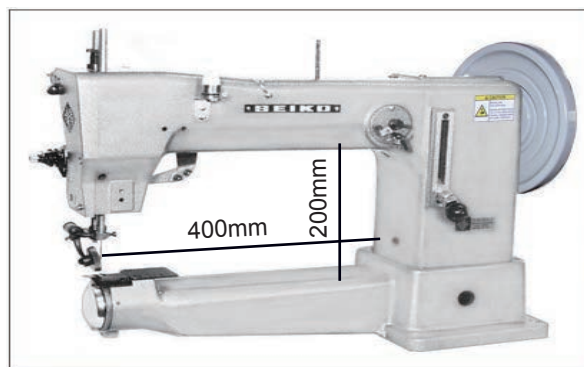
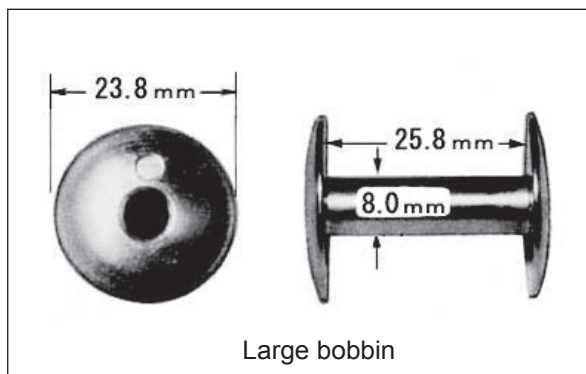
Applications

- For sewing heavy weight materials such as canvas, vinyl, leather, synthetics and various coated, laminated and rubberized fabrics.
- Suitable for sewing tubular and curved work, etc.



Features

- Large oscillating shuttle hook with extra large capacity bobbin.
- Extra long arm. [working space 15-3/4"(400 mm)]
- Extra high presser lift for sewing extra heavy materials.
- Reverse stitch by stitch adjusting lever.
- Built-in bobbin winder.
- Automatic back tack(BT) and automatic presser foot lift(FL) are available.



The practical use of wide working space(200 × 400), high presser lift amount (20mm by knee lifter) and large hook make it possible wide application for heavy weight materials.

Specifications (CH-□)

Variety		7B	8B
Number of needle		Single needle	
Max. sewing speed		800 s.p.m.	
Max. stitch length		25/64" (10 mm)	
Clearance under presser foot	by knee	25/32" (20 mm)	63/64" (25 mm)
	by hand	25/64"(10 mm)	25/64" (10 mm)
Needle bar stroke		2" (51 mm)	2-13/64"(56 mm)
Needle(standard)		DDx1(#24), 328(#180)	DYx3 (#24), 794(#180)
Hook		Large oscillating shuttle hook	
Amount of lift of walking foot		-	1/8"-15/64" standard 5/32" (3 - 6 mm) (standard 4 mm)
Thread take up lever		Cam type	
Lubrication		Hand type	
Bed size		23-5/8"x 3-15/64" (600 x 82 mm)	
Cylinder size		3-15/64" (82 mm) dia.	
Working space		15-3/4"x 7-7/8" (400 x 200 mm)	
Motor		Clutch motor	

NOTE: (1) Speed depends on threads, materials and type of operation
(2) Specifications subject to change without notice



SEIKO SEWING MACHINE CO., LTD.

2-13-6, Sakaecho, Funabashi-shi
Chiba Prefecture, 273-0018, Japan

Phone : +81-47-420-3561 (Overseas dept.)

Fax : +81-47-420-3560

E-mail : export@seiko-sewing.co.jp

Printed in Japan 2016.04

<http://www.seiko-sewing.co.jp/>