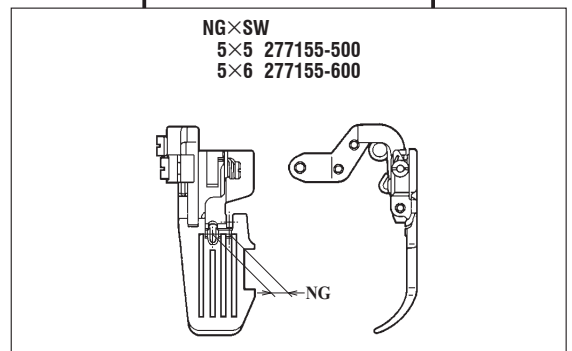
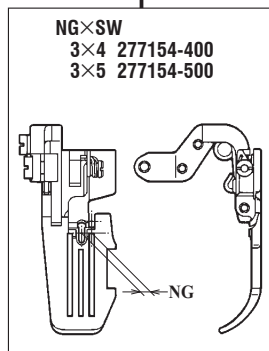
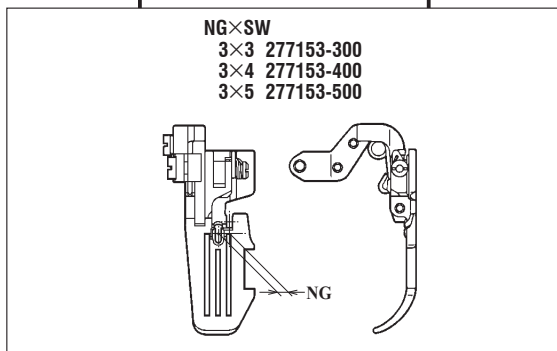
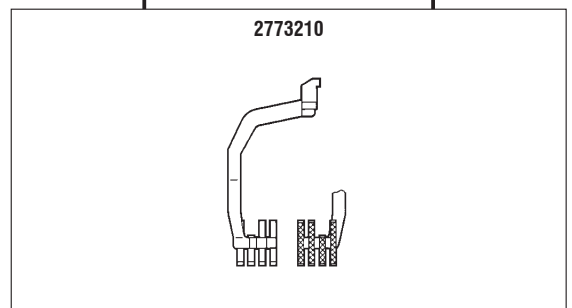
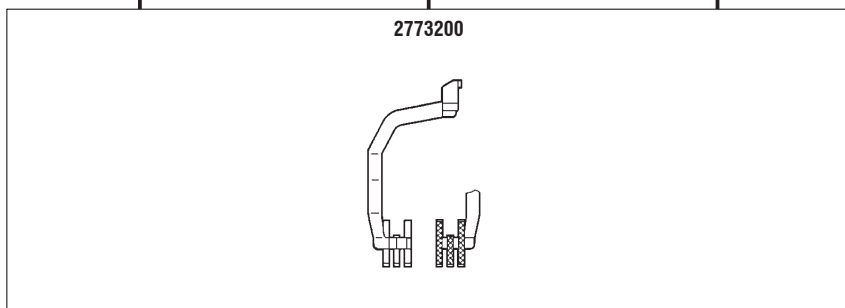
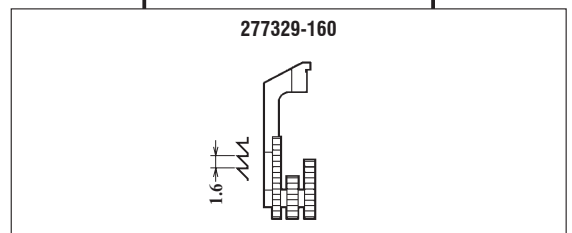
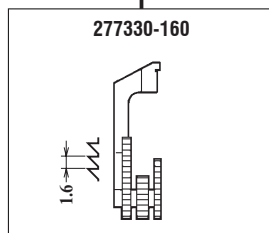
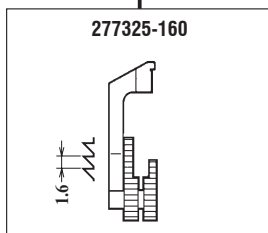
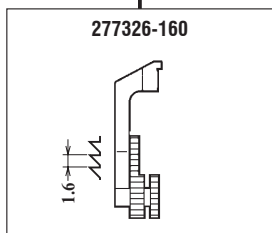
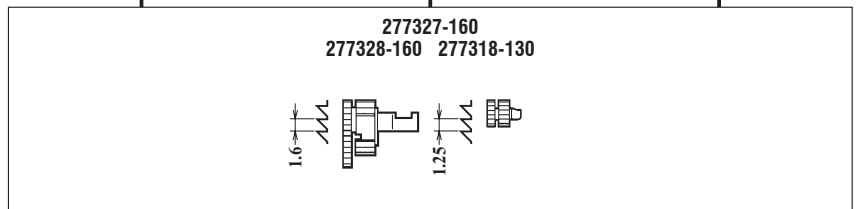
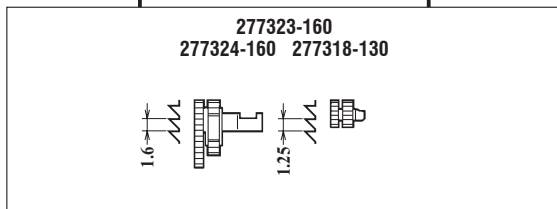
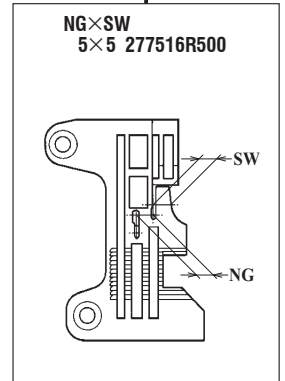
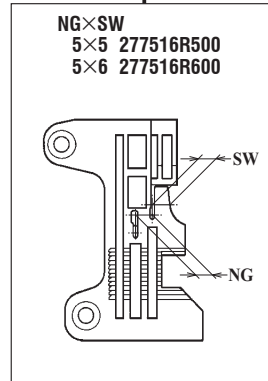
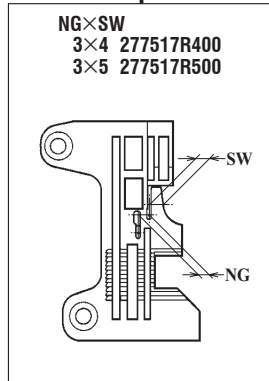
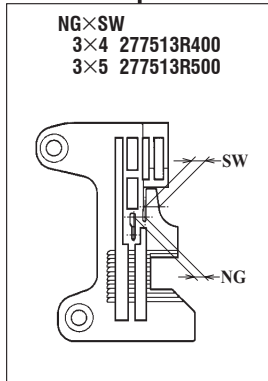
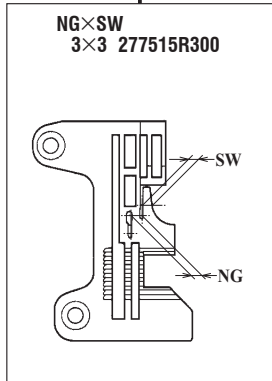


EXT3215  
EXT3216-02/223(K)

EXT3215  
EXT3216-03/233(K)

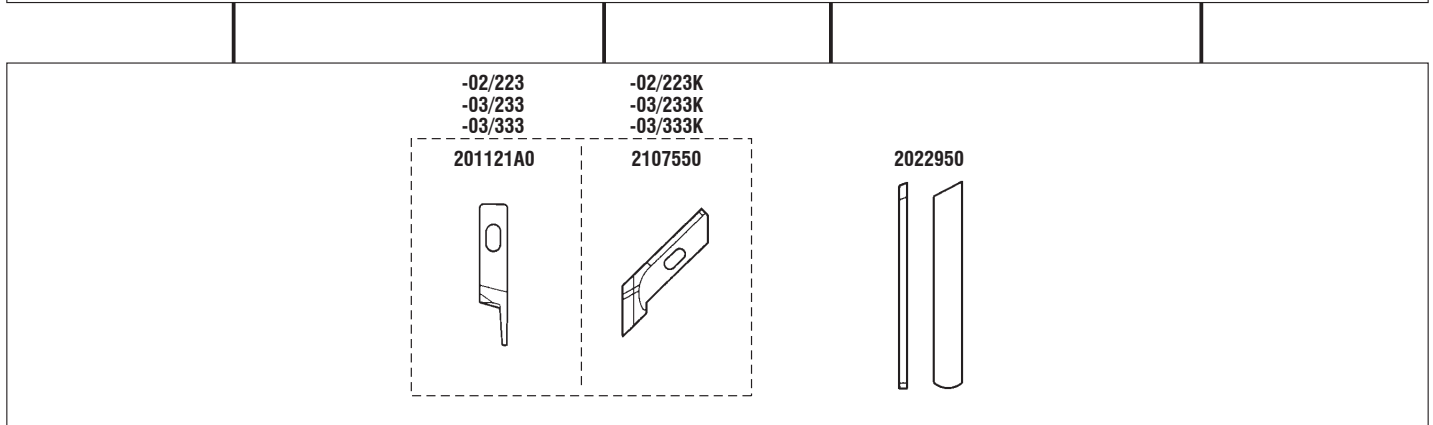
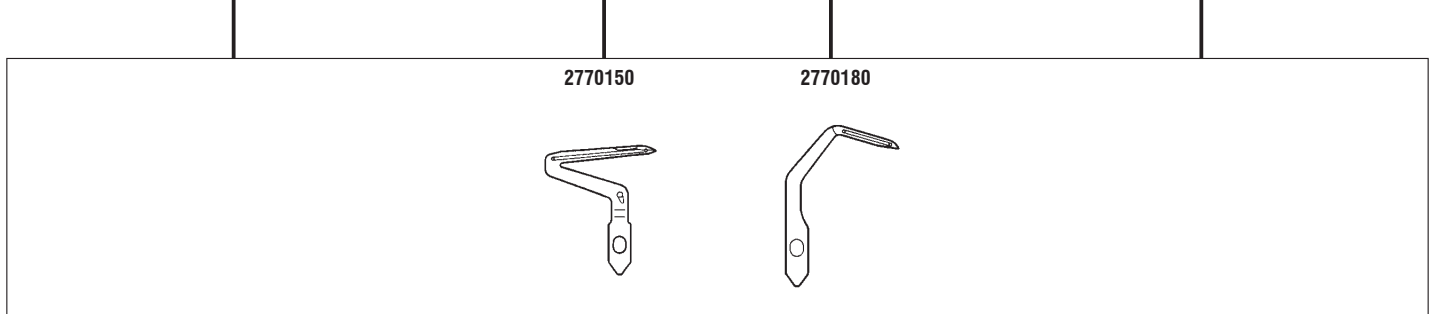
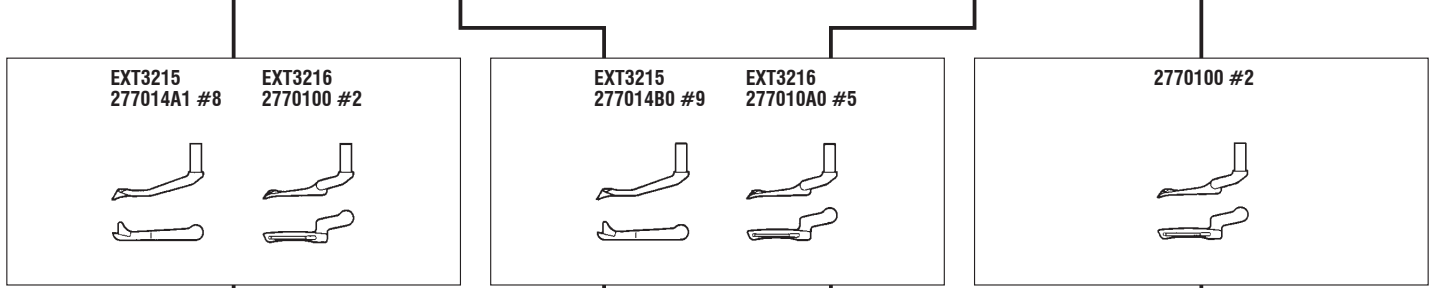
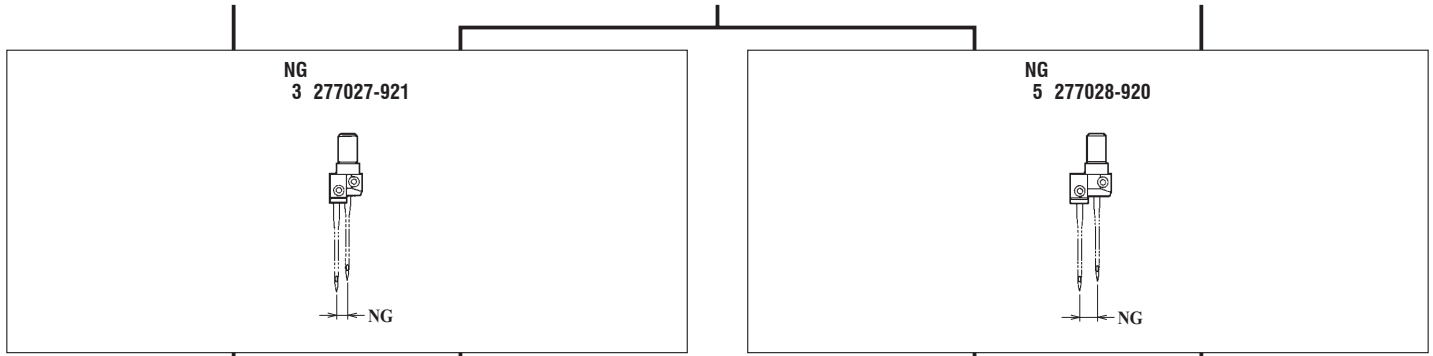
EXT3216-03/333(K)



EXT3215-02/223(K)  
EXT3216

EXT3215-03/233(K)  
EXT3216

EXT3216-03/333(K)



地縫用 (薄~中厚生地)  
PLAIN SEAMING  
(LIGHT~MEDIUM WEIGHT FABRIC)

地縫用 (中厚~厚生地)  
PLAIN SEAMING  
(MEDIUM~HEAVY WEIGHT FABRIC)

地縫用 (中厚~厚生地)  
PLAIN SEAMING  
(MEDIUM~HEAVY WEIGHT FABRIC)

EXT 3200 Series  
共通部品 COMMON PARTS

オーバーロック針受 OVERLOCK NEEDLE GUARD

2770070



2770040

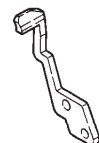


二重環針受 CHAINSTITCH NEEDLE GUARD

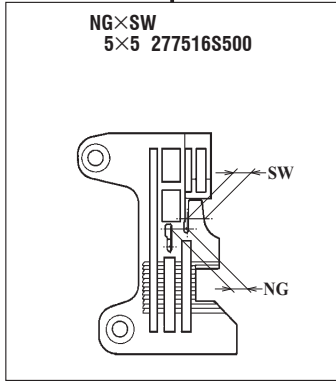
2770080



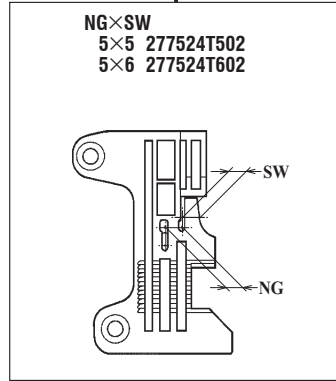
2770060



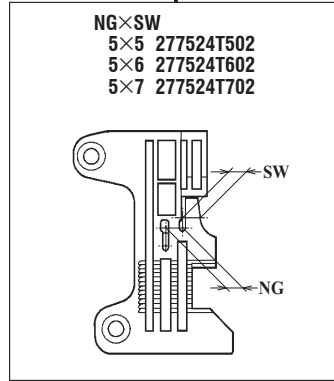
EXT3215-03/433(K)  
EXT3216



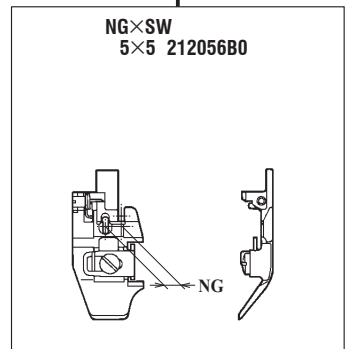
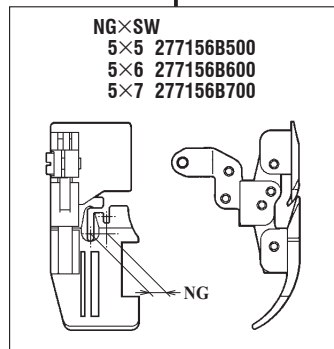
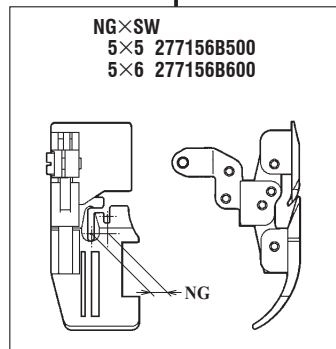
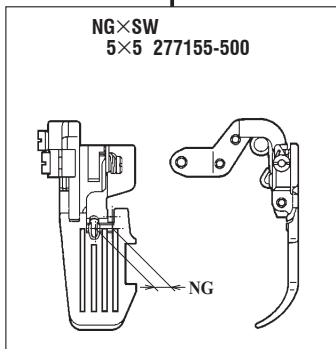
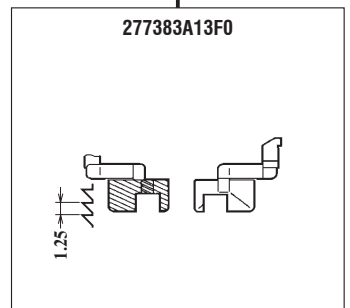
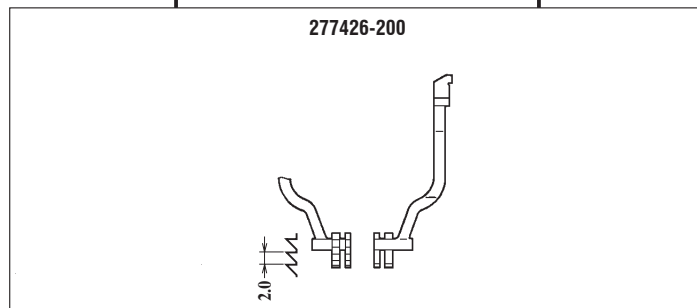
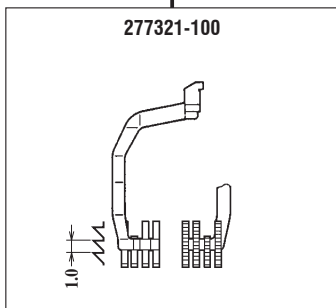
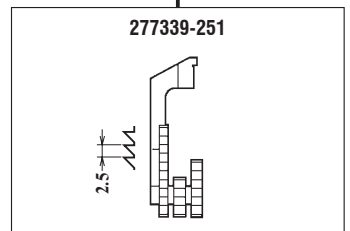
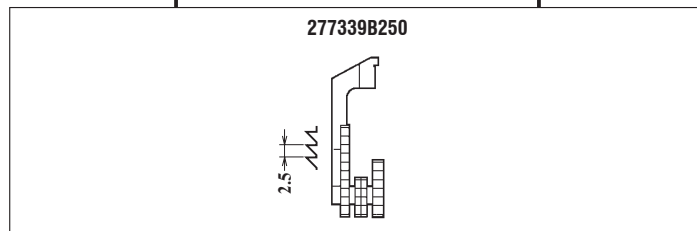
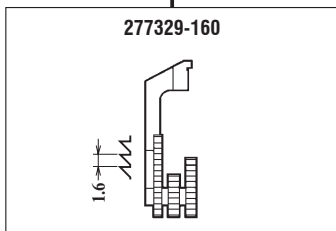
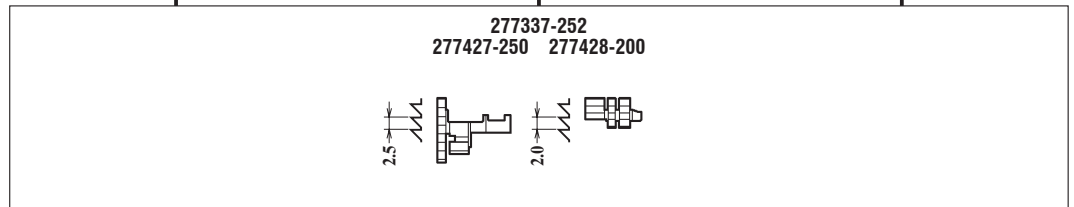
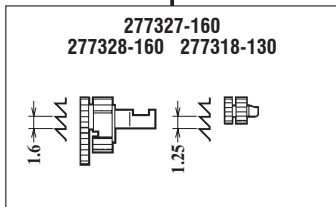
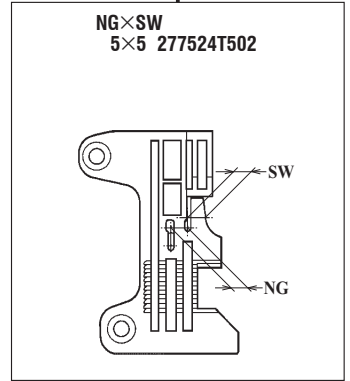
EXT3215-A04/435K  
EXT3216



EXT3215H-A05/535K  
EXT3216H



EXT3215-B-04/435(K)  
EXT3216



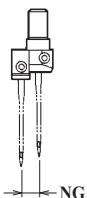
EXT3215  
EXT3216 -03/433(K)

EXT3215  
EXT3216 -A04/435K

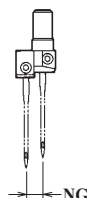
EXT3215  
EXT3216 -B-04/435(K)

EXT3215H  
EXT3216H -A05/535K

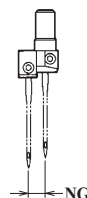
NG  
5 277028-920



NG  
5 277029-920



NG  
5 277073-920



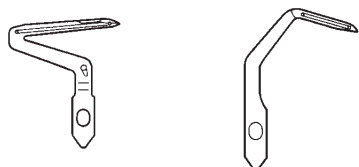
EXT3215  
2770140 #1      EXT3216  
2770110 #3



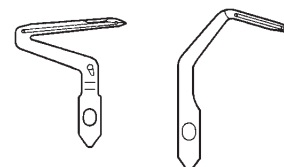
EXT3215  
277014A1 #8      EXT3216  
2770170 #11



2770150      277018-C0

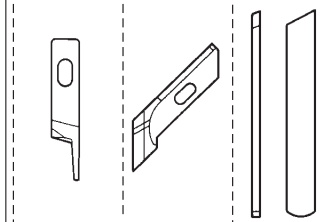


277015A0      277018-C0

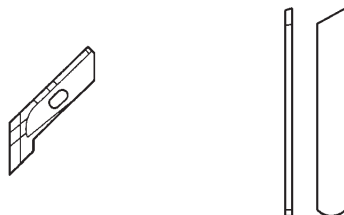


-03/433      -03/433K

201121A0      2107550      2022950

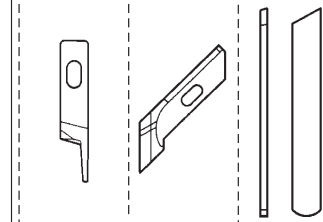


2116621      2770091



-B-04/435      -B-04/435K

201121A0      2107550      2770091



地縫用 (中厚~厚生地)  
PLAIN SEAMING  
(MEDIUM~HEAVY WEIGHT FABRIC)

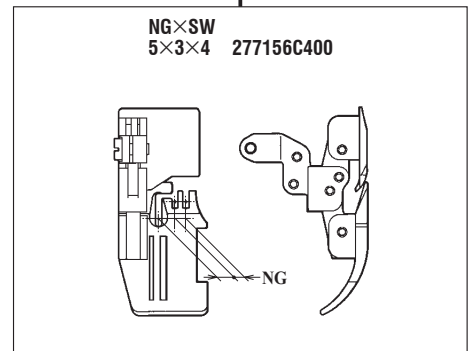
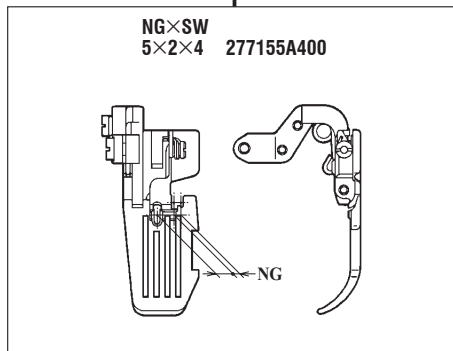
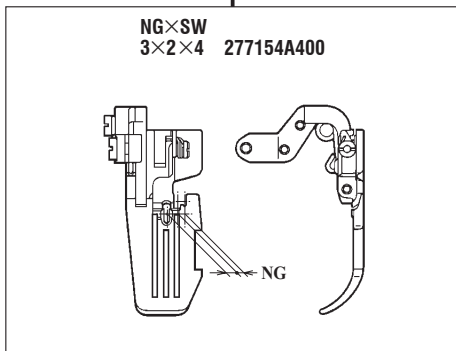
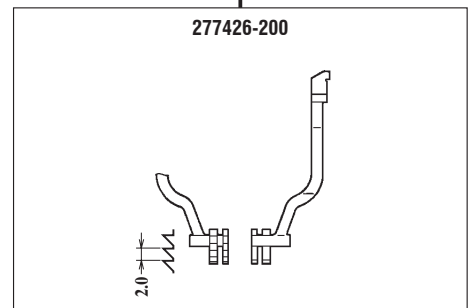
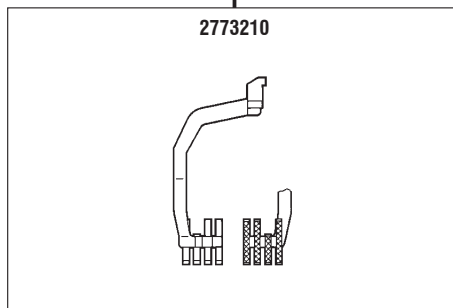
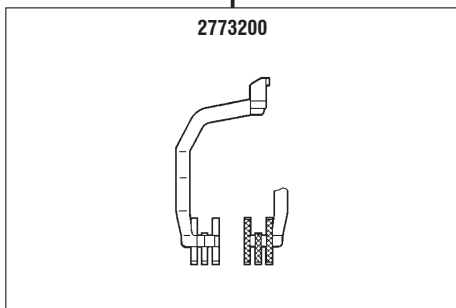
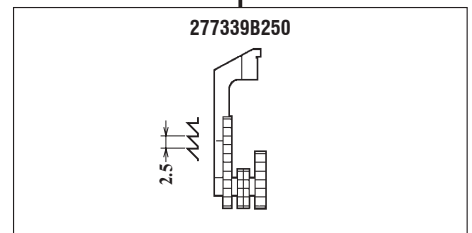
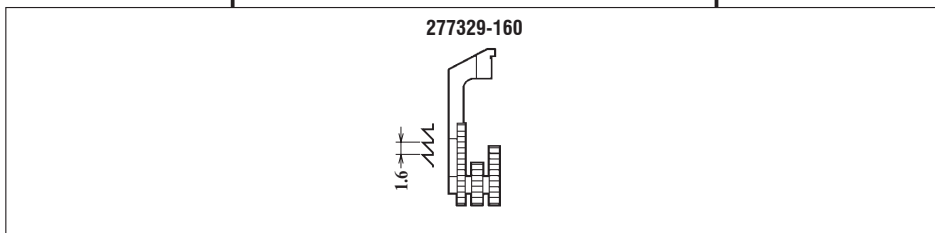
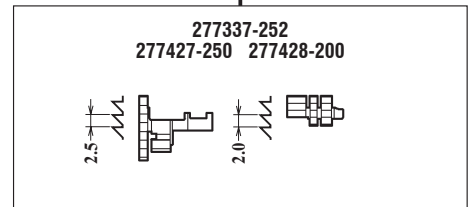
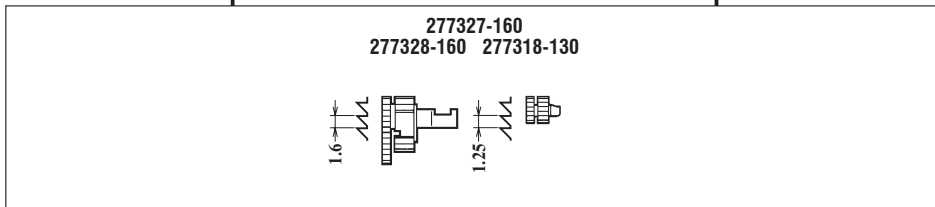
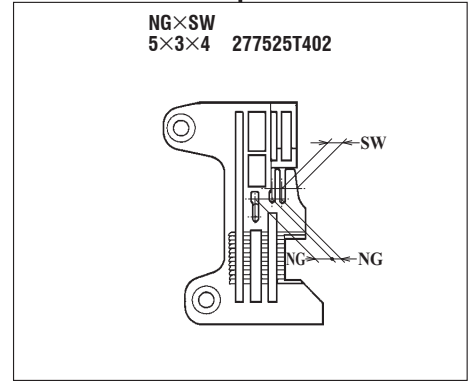
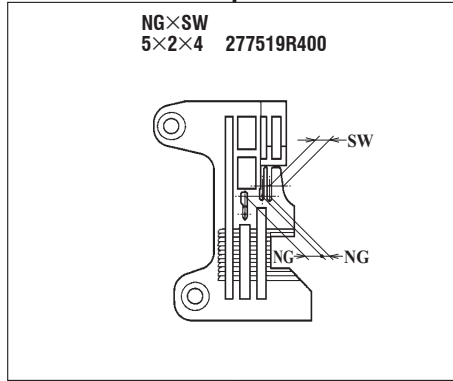
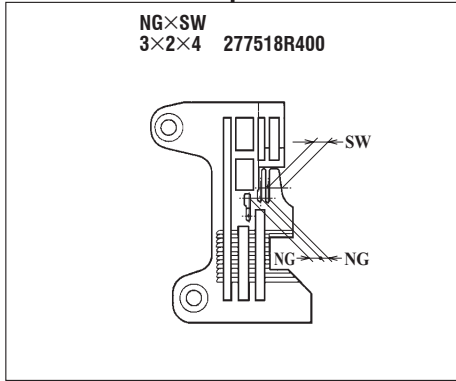
地縫用 (厚~極厚生地)  
PLAIN SEAMING  
(HEAVY~EXTRA HEAVY WEIGHT FABRIC)

地縫用 (極厚生地)  
PLAIN SEAMING  
(EXTRA HEAVY WEIGHT FABRIC)

地縫用 (厚~極厚生地)  
PLAIN SEAMING  
(HEAVY~EXTRA HEAVY WEIGHT FABRIC)

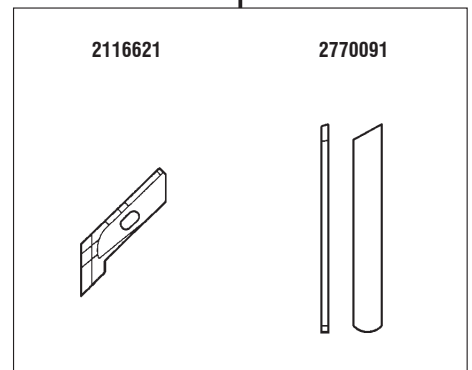
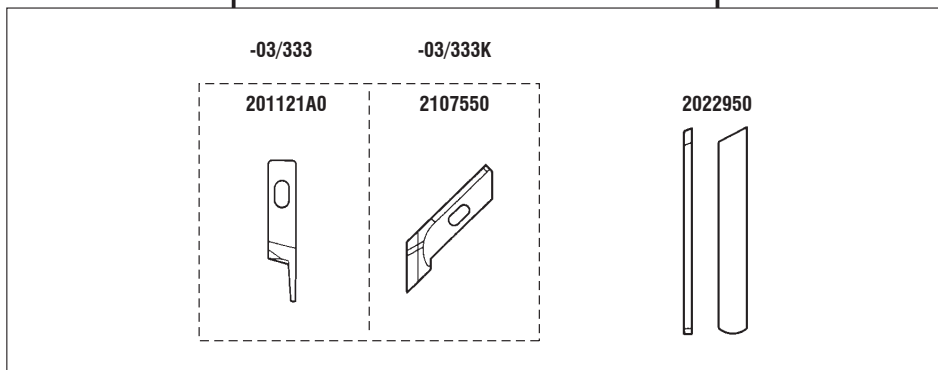
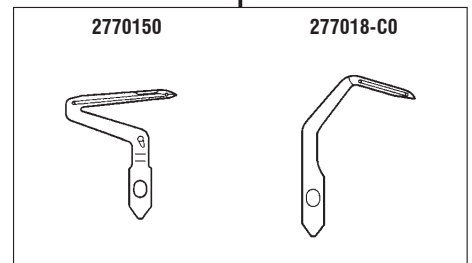
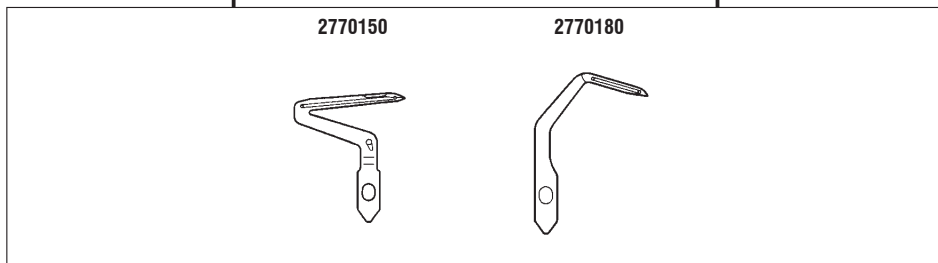
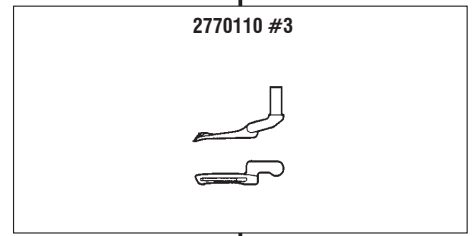
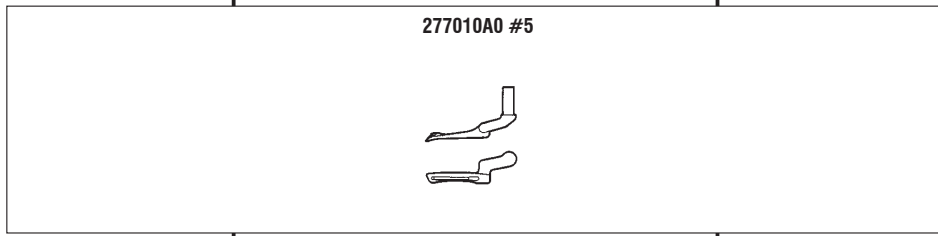
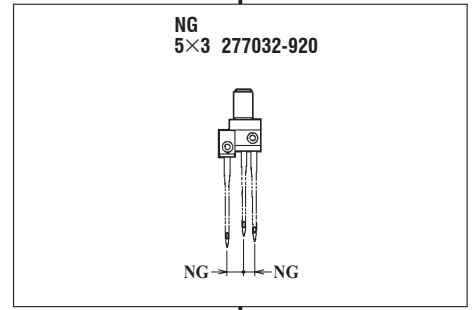
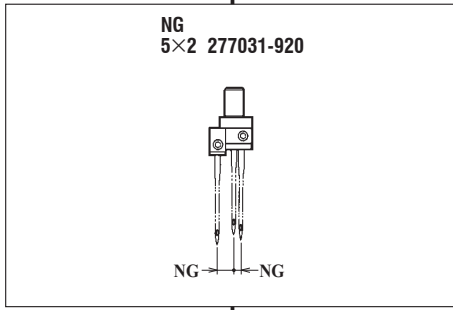
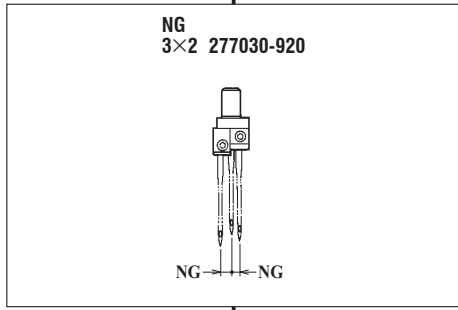
EXT3244-03/333(K)

EXT3244-A04/435K



**EXT3244-03/333(K)**

**EXT3244-A04/435K**

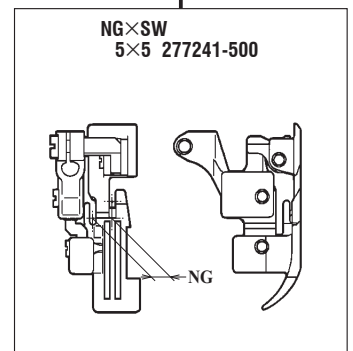
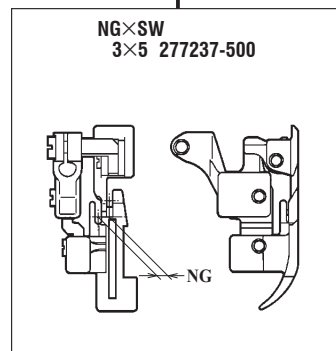
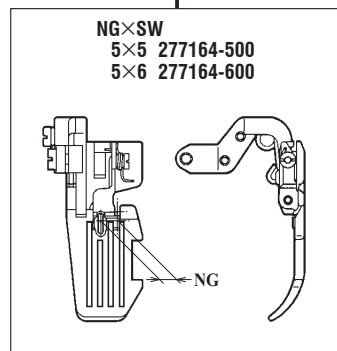
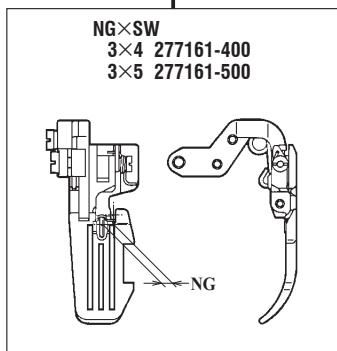
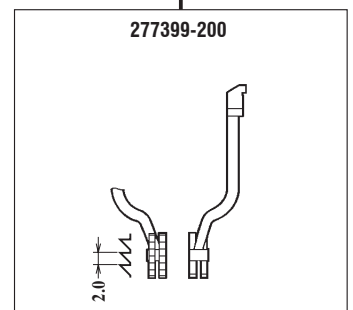
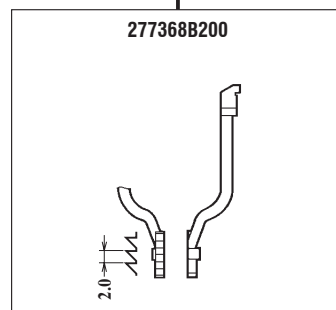
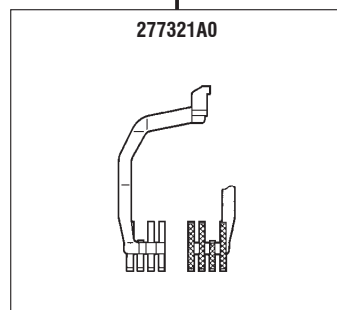
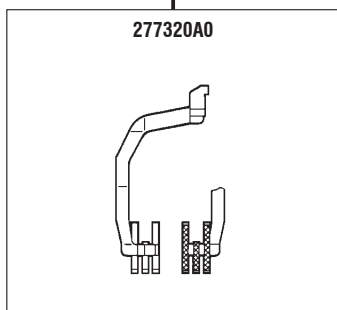
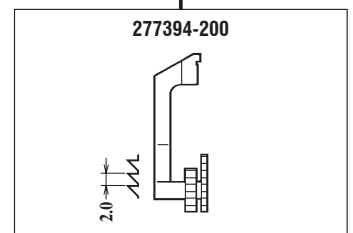
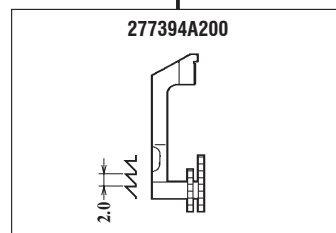
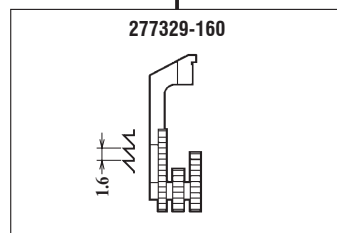
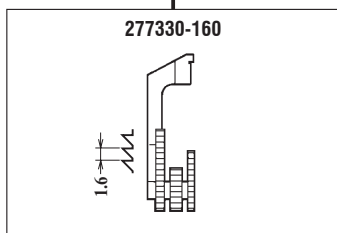
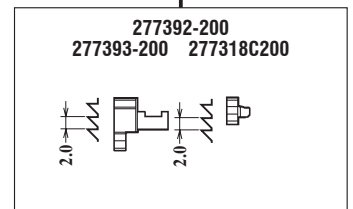
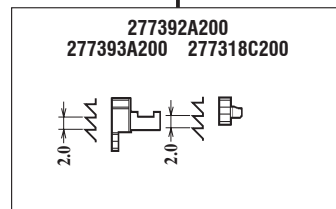
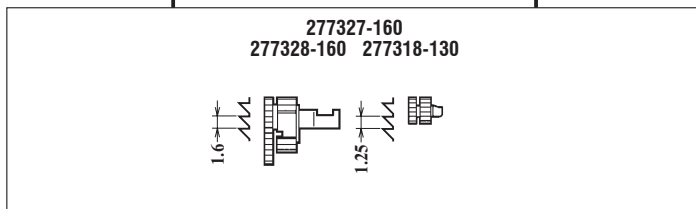
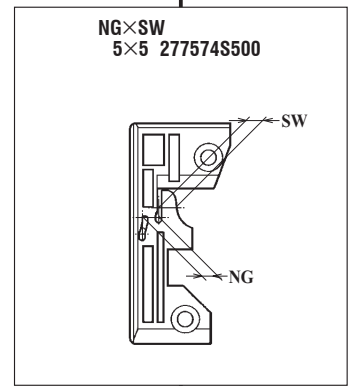
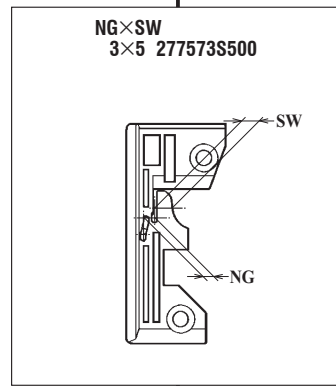
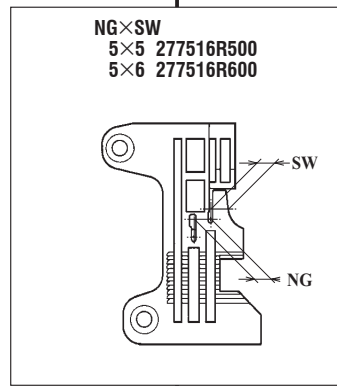
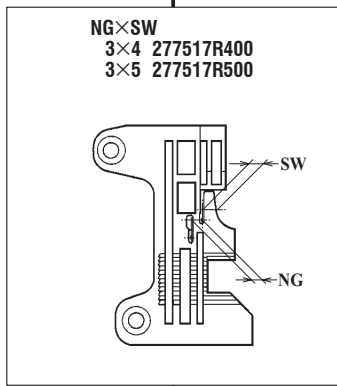


地縫用 (中厚~厚生地)  
PLAIN SEAMING  
(MEDIUM~HEAVY WEIGHT FABRIC)

地縫用 (厚~極厚生地)  
PLAIN SEAMING  
(HEAVY~EXTRA HEAVY WEIGHT FABRIC)

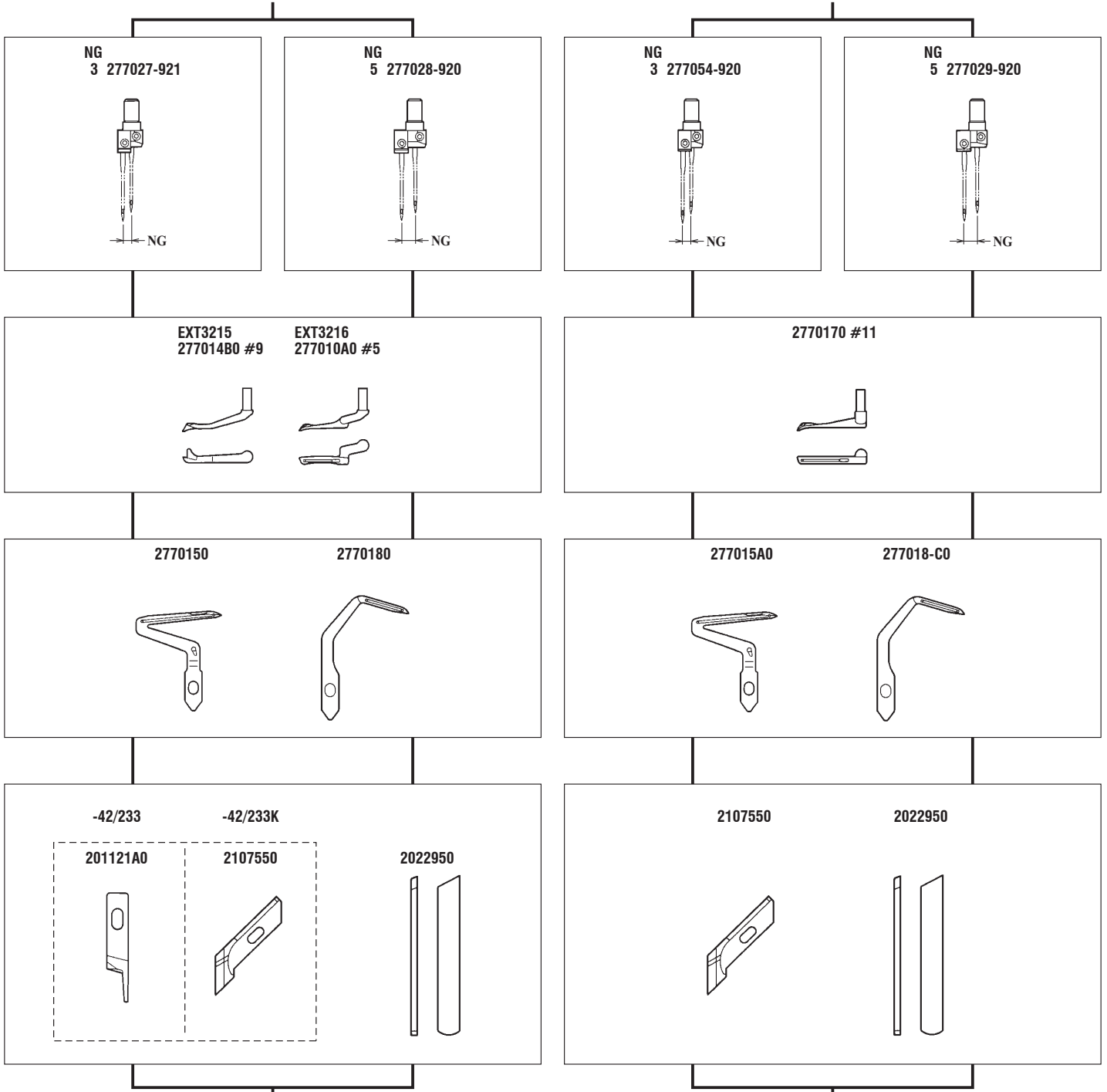
EXT3215  
EXT3216<sup>-42/233(K)</sup>

EXT3216H-45P1/574K



EXT3215-42/233(K)  
EXT3216

EXT3216H-45P1/574K



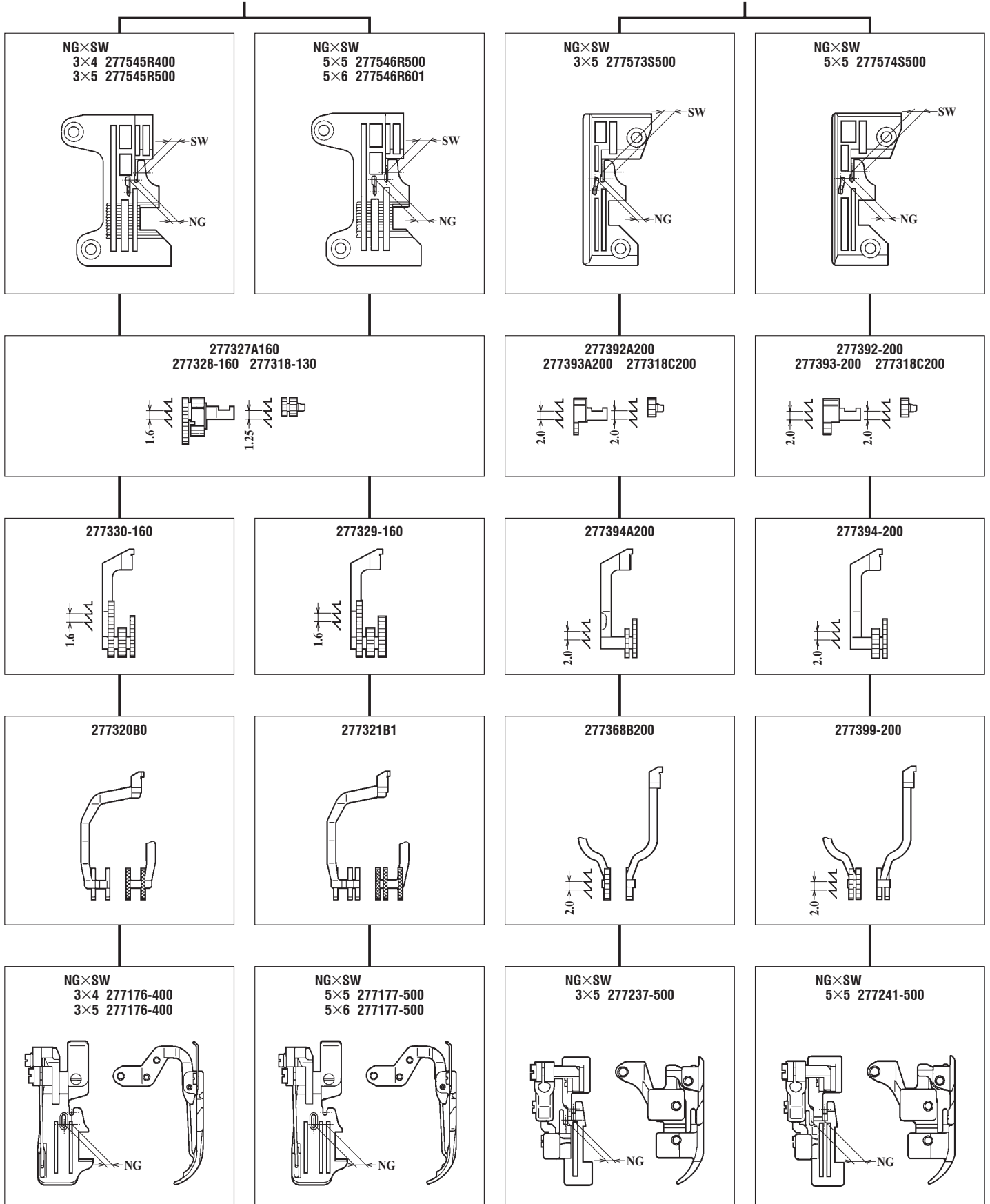
ヒダ取り用(薄~中厚生地)  
SHIRRING  
(LIGHT~MEDIUM WEIGHT FABRIC)

ヒダ取り・パイピング用(極厚生地)  
SHIRRING, PIPING  
(EXTRA HEAVY WEIGHT FABRIC)



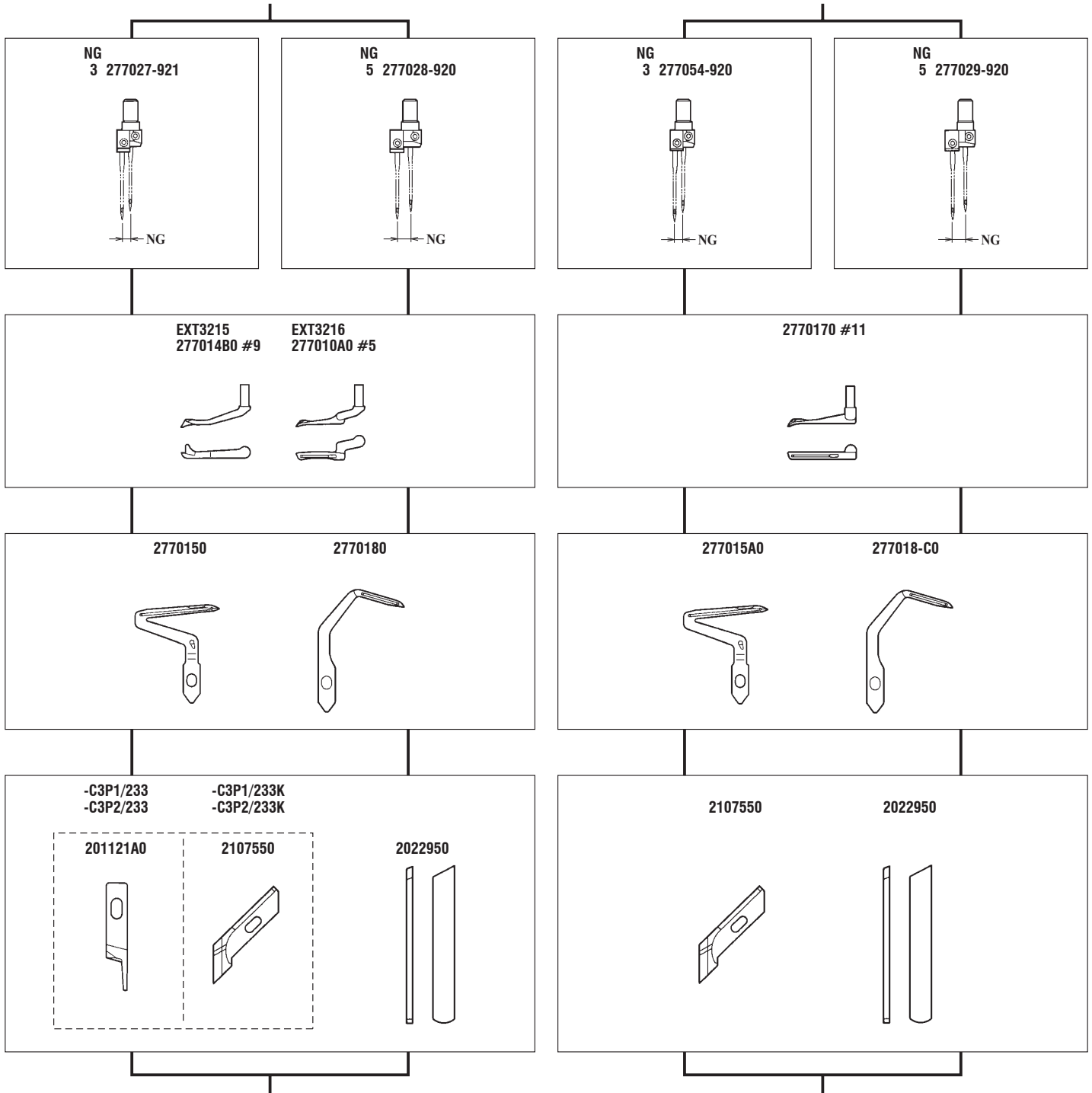
EXT3215- C3P1/233(K)  
 EXT3216- C3P1/233(K)  
 EXT3215- C3P2/233(K)  
 EXT3216- C3P2/233(K)

EXT3216H-C5P1/574K



EXT3215- C3P1/233(K)  
 EXT3216- C3P1/233(K)  
 EXT3215- C3P2/233(K)  
 EXT3216- C3P2/233(K)

EXT3216H-C5P1/574K



パイピング用(中厚~厚生地)  
 PIPING  
 (MEDIUM~HEAVY WEIGHT FABRIC)

パイピング用(極厚生地)  
 PIPING  
 (EXTRA HEAVY WEIGHT FABRIC)