

AMS-224EN4530R

Computer-controlled Cycle Machine with Input Function (Full-rotary hook type)

This is the full-rotary sewing machine which has been developed based on the AMS-224EN Series.



450mm(X) × 300mm(Y)

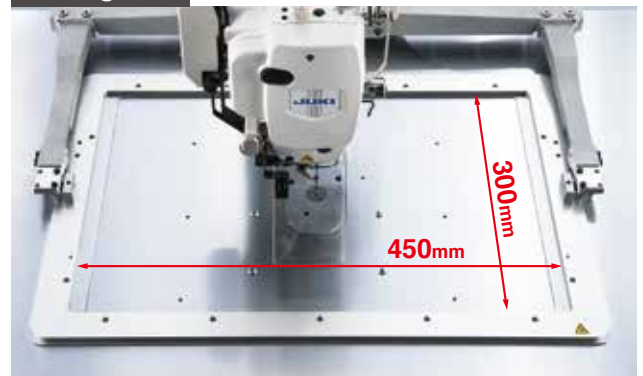
AMS-224EN-4530R

AMS-224EN-4530R/IP420F

The cycle machine, which has a wider sewing area, achieves an improved seam quality, increased productivity and easier operation.

The machine not only achieves higher productivity due to instantaneous increases/decreases in sewing speed at the beginning /end of sewing and increased speed of thread trimming, but also achieves a flexible responsiveness to materials to promise enhanced seam quality due to JUKI's unique active tension and programmable intermediate presser.

Sewing area



Full-rotary hook



In addition to the semi-rotary hook type model which is favorably accepted by users, the full-rotary hook type model is newly developed. The full-rotary hook contributes to the achievement of soft-texture beautifully-finished seams which are required for bags and leather products. In addition, the bobbin case opening lever is adjustable not only laterally but also longitudinally, thereby enabling accurate positioning of the bobbin case according to the needle count.

Hook cover open/close sensor



Thanks to the adoption of the hook cover open/closesensor, the hook cover will never be left opened.

As a result, a malfunction that the operator unintentionally touch the hook during operation.

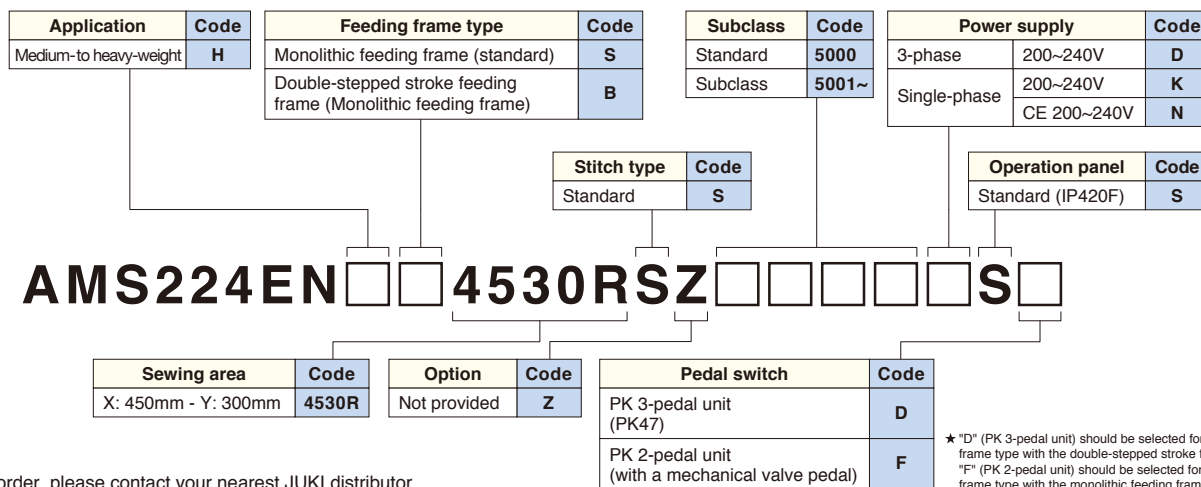
■ SPECIFICATIONS

Model name	AMS-224EN-HS4530R
Application	Medium-to heavy-weight
Feeding frame type	Monolithic feeding frame: (Pneumatic work clamp)
Max. sewing speed	2,500sti/min* (stitch length 3mm or less)
Sewing area	450mm (X) x300mm (Y)
Settable stitch length	0.1~12.7mm (0.05mm step)
Needle bar stroke	41.2mm
Lift of the feeding frame	Max. 30mm
Lift / Stroke of intermediate presser	Lifting amount : 20mm / Stroke : Standard 4mm (0~10mm)
Variable lower position of the intermediate presser	Standard 0~3.5mm (max. 0~7.0mm)
Change in height of the intermediate presser	Stepless control by programming (controlled by a stepping motor)
Needle thread tension	Active tension (electronic thread tension control mechanism)
Needle thread breakage detecting device	Provided as standard
Needle thread clamp	Stepping-motor driven clamping on the underside of the throat plate
Prevention of the slip-off of thread at the beginning of sewing	Prevented by the needle thread clamp and active tension
Needle (at the time of delivery)	DP×17 (#18) (135×17 Nm110)
Thread	#50~#2
Hook	Double-capacity shuttle hook
Sewing machine motor	Compact AC servomotor (direct-drive system)
Power requirement Power consumption	Single-phase, 3-phase 200~240V / 550VA
Compressed air / Air consumption	0.5~0.55MPa (Max. 0.55MPa) / 1.8dm ³ / min (ANR)


*"sti/min" stands for "Stitches per Minute."

■ WHEN YOU PLACE ORDERS

Please note when placing orders, that the model name should be written as follows:



● To order, please contact your nearest JUKI distributor.

JUKI ECO PRODUCTS	The AMS-224EN4530R is an eco-friendly product which complies with JUKI ECO PRODUCTS standards for protecting the environment.
	<ul style="list-style-type: none"> The sewing machine complies with the "Juki Group Green Procurement Guidelines" on the use of hazardous substances, which is stricter than other restrictions, such as those of the RoHS Directive. <p>For details of JUKI ECO PRODUCTS, refer to: http://www.juki.co.jp/eco_e/index.html</p> <p><small>*The RoHS Directive is an EU Directive limiting the use of 6 hazardous substances (lead, hexavalent chromium, mercury, cadmium, PBB and PBDE) in electrical and electronic equipment. The Juki Green Procurement Guideline is the voluntarily established criteria to eliminate not only the aforementioned six substances, but also other ones which also adversely affect the environment.</small></p>

 CM001	 ISO14001 JSAE389	 089
--	--	--

Registered Organization : JUKI CORPORATION Head Office
The Scope of the Registration : The activities of research, development, design, sales, distribution, and maintenance services of industrial sewing machines, household sewing machines and industrial robots, etc., including sales and maintenance services of data entry systems.

	MIX Paper from responsible sources FSC™ C001712
---	--

JUKI
JUKI CORPORATION
SEWING MACHINERY BUSINESS UNIT

2-11-1, TSURUMAKI, TAMA-SHI,
TOKYO 206-8551, JAPAN
PHONE : (81) 42-357-2383
FAX : (81) 42-357-2274
<http://www.juki.com>

* Specifications and appearance are subject to change without prior notice for improvement.
* Read the instruction manual before putting the machine into service to ensure safety.
* This catalogue prints with environment-friendly soyink on recycle paper.