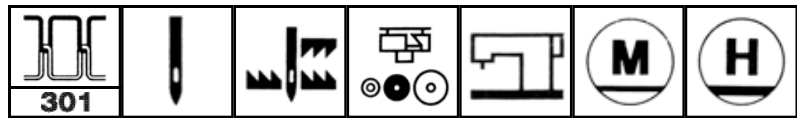


ECONOSEW®

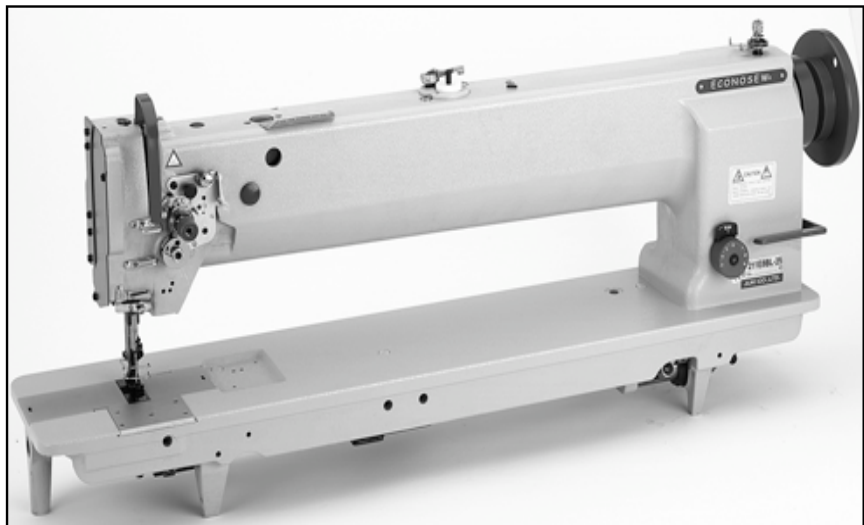
...Just Sew Much Better

211E8BL-25



SINGLE NEEDLE, HEAVY DUTY LOCKSTITCH MACHINE, UNISON-FEED (NEEDLE-FEED & DROP-FEED WITH ALTERNATING PRESSER FEET), LARGE VERTICAL ROTARY HOOK, REVERSE FEED AND AUTOMATIC LUBRICATION
25" ARM

- Uses Singer 111W style walking feet
- Built-in safety clutch prevents hook damage
- Plunger pump lubricating system
- Arm shaft and hook shaft are supported by ball bearings
- Timing belt driven
- High presser foot lift assures easy input and removal of materials
- For sewing medium & heavy materials such as fabric, leather, vinyl and synthetics
- Built-in bobbin winder



Specifications

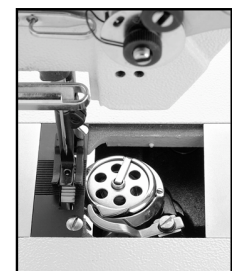
Model	211E8BL-25
Maximum Sewing Speed	1800 spm*
Stitch Length Adjustment	0 to 9mm
Presser Foot Lift	By Hand: 8mm By Pedal: 16mm
Needle System	135x17
Needle Bar Stroke	36mm
Feed Type	Unison feed
Hook Type	Large vertical rotary hook
Amount of Alternating Presser Foot Lift	2 to 5mm (3.2mm standard)
Working Space	635mm (25")
Safety Clutch	Yes
Lubrication System	Plunger pump lubricating system and self lubricating hook

* Depends on thread, material & type of operation

* Specifications subject to change without notice



Unison feed assures even feed when sewing multiple layers



Large bobbin enables greater production with fewer interruptions

ECONOSEW®

...Just Sew Much Better

WEST COAST SALES
Tel: 213.747.9716
Fax: 213.747.4512

E-mail: sales@econosew.com

EAST COAST SALES
Tel: 954-430-1890
Fax: 954-432-8097

Distributed by: