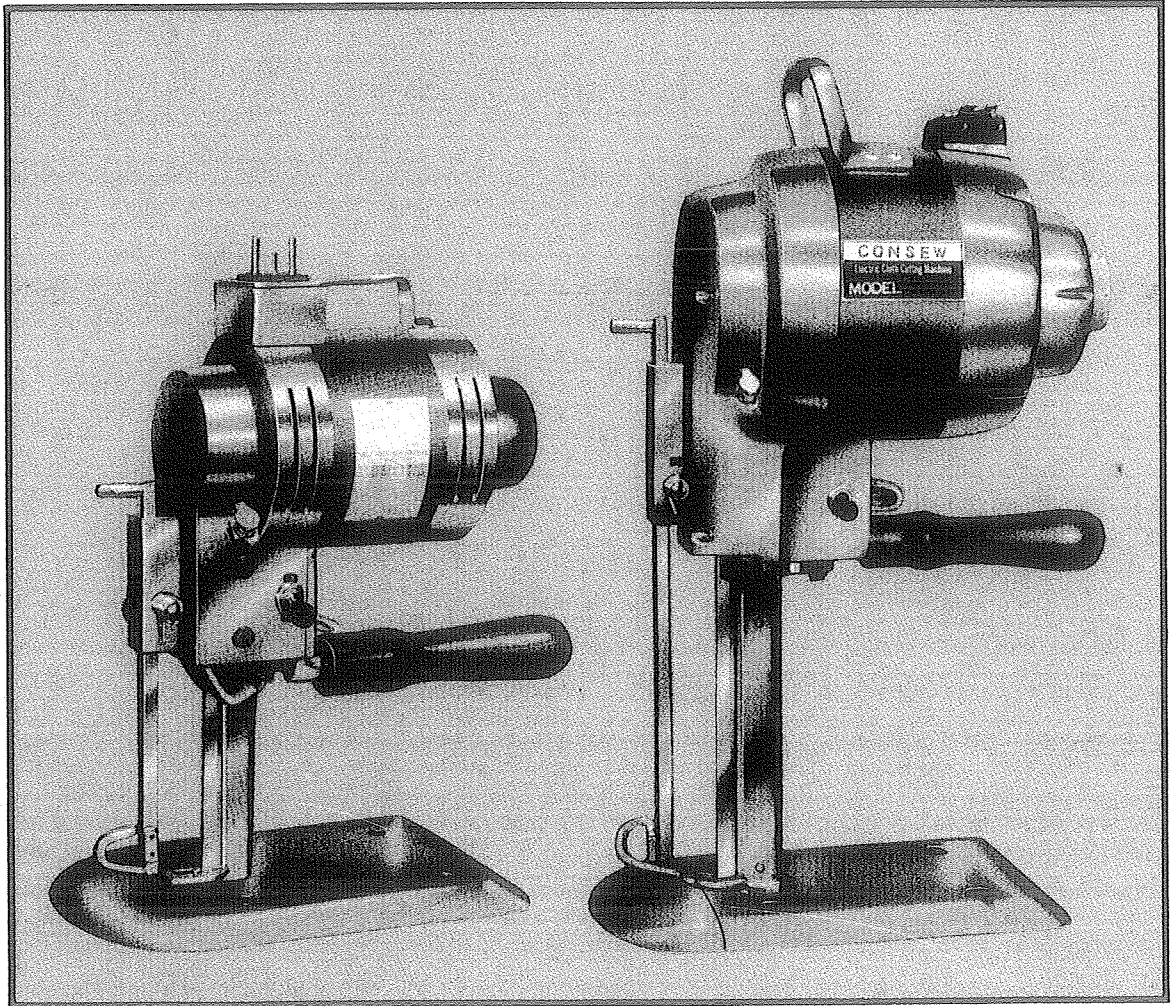


# 522

## Instructions & Parts List



**CONSEW INTERNATIONAL LTD.**

Yamajin Bldg., 18, 1-chome, Hon-machi, Higashi-ku, Osaka 541, Japan

P.O.Box: Osaka Higashi No. 509

Telephone: Osaka 261-3291~3297 (7 Lines)

Cable Address: "CONSEWMACH" Osaka

Telex: J64459 CONSEW

Fax: (06) 261-3298

84112C Printed in Japan



# Instructions

Consew Cutters are precision tools, made by master craftsmen.

In order to maintain this precision and the adjustments which are essential to satisfactory operation of your cutter, it is important to conscientiously follow these instructions.

## 1. Starting

Connect the cord supplied to machine terminal and then to the electrical outlet. Prior to operating the machine rotate the rotor hand pulley by hand. If pulley rotation is difficult, please refer to Item (4) below.

## 2. Cloth Presser Adjustment

To adjust the height of the cloth presser and fit the cloth to be cut, lift the shaft knob while lightly pressing down on the brake lever.

## 3. Knife Sharpening

Lift the cloth presser to its highest point and then sharpen the edge of the knife by hand with the emery stone. When sharpening the knife do not shave the stand and knife slide.

**Important Note:** Before doing any work on the machine, be sure to disconnect the machine from the electrical outlet.

## 4. Knife Installation

To change the knife, unscrew the knife lock screw with the box wrench and take the knife out. Prior to installing a new knife clean the stand groove and knife slide with the cleaner. It is recommended to use oil to achieve a cleaner stand groove. Make sure the knife lock screw is tight before starting the machine.

## 5. Other Precautions

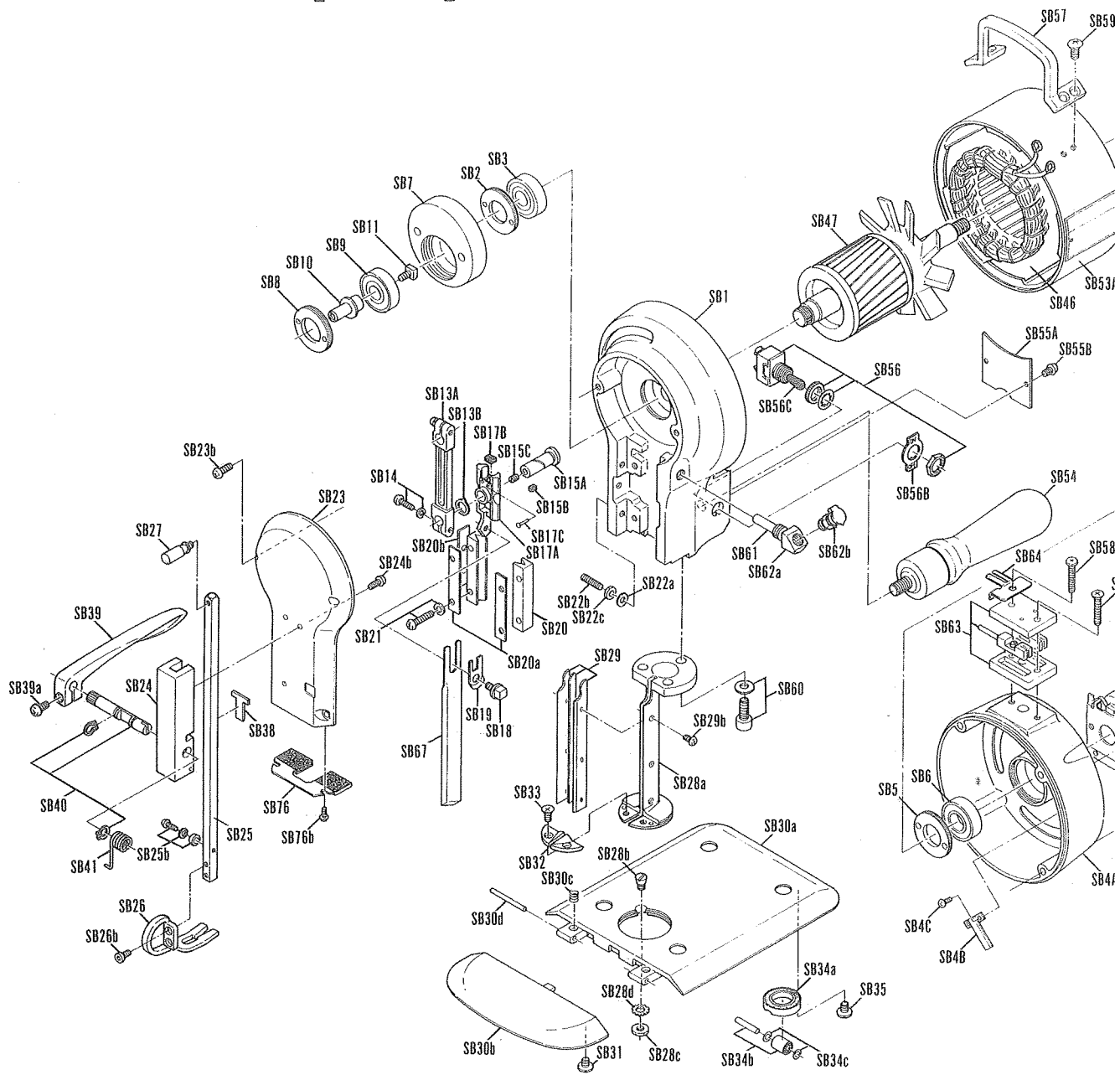
Occasionally, dust or lint will become trapped on a contact point of the stator base which may cause difficulty with starting the machine. In this case remove the dust from the contact point.

The machine requires a minimum of lubrication. Periodically, oil should be supplied through the oil cup. In order to lubricate all necessary parts after oiling, rotate the rotary hand pulley by hand, and switch the machine on and off intermittently. Oiling should also be done during the first week of operation of a new machine, and when the machine has been idle for a period of time.

Keep the machine clean by removing all accumulations of lint, thread and cuttings.

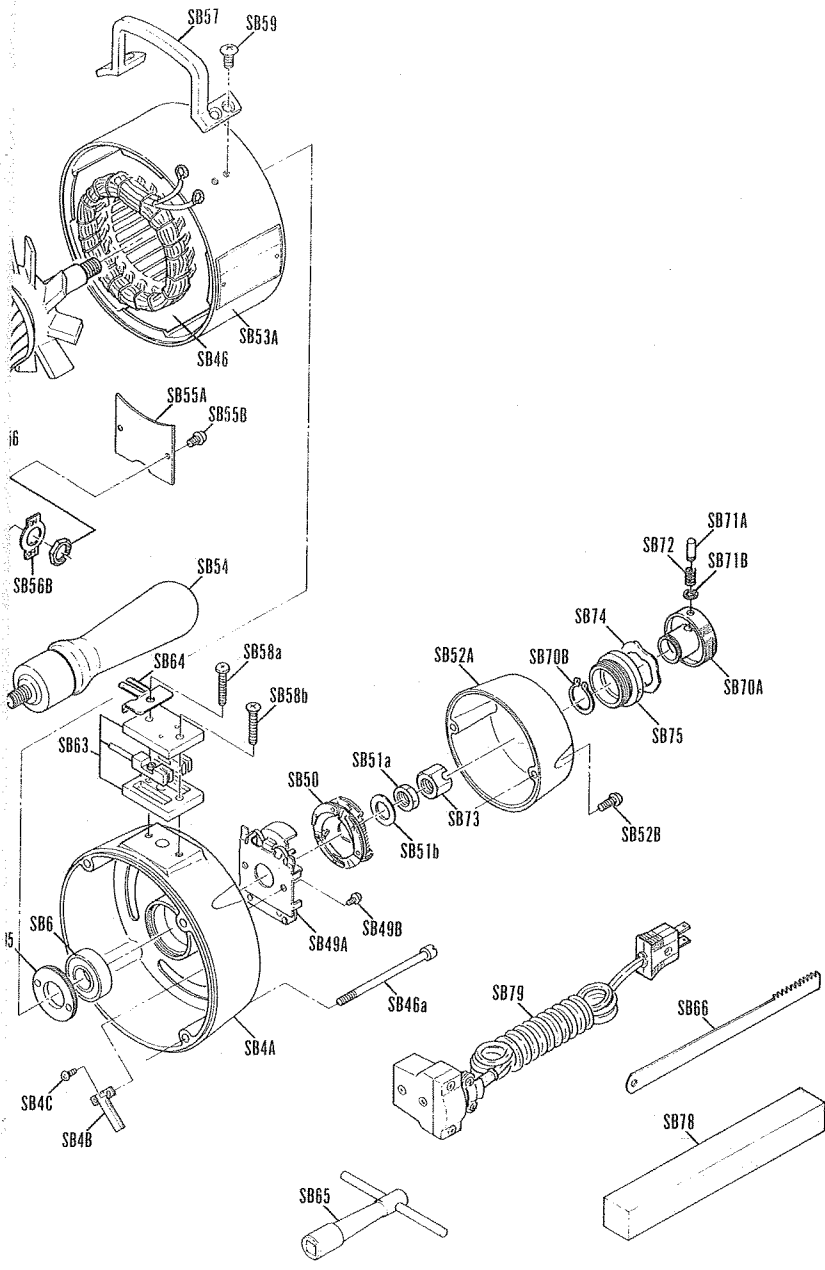


# Parts List (522)



Part No.	Part Name	Q'ty	Part No.	Part Name	Q'ty	Part No.
SB 1	Motor front cover	1 pc.	SB11	Screw	1 pc.	SB20
SB 2	Bearing cover	1 pc.	SB13A	Crank rod	1 pc.	SB20a
SB 3	Ball bearing (#6203 2RS)	1 pc.	SB13B	Washer	1 pc.	SB20b
SB 4A	Motor rear cover	1 pc.	SB14	Crank rod screw & washer	2 sets	SB21
SB 4B	Cord-hold plate	1 pc.	SB15A	Wrist pin	1 pc.	SB22a
SB 4C	Screw	2 pcs.	SB15B	Felt	1 pc.	SB22b
SB 5	Bearing cover	1 pc.	SB15C	Screw	1 pc.	SB22c
SB 6	Ball bearing (#6202 2RS)	1 pc.	SB17A	Cross head	1 pc.	SB23
SB 7	Balance	1 pc.	SB17B	Felt	1 pc.	SB23b
SB 8	Bearing cover	1 pc.	SB17C	Pin	1 pc.	SB24
SB 9	Ball bearing (#6201 2RS)	1 pc.	SB18	Knife lock screw	1 pc.	SB24b
SB 10	Crank pin	1 pc.	SB19	Knife lock plate	1 pc.	SB25





Q'ty	Part No.	Part Name	Q'ty
1 pc.	SB20	Guide metal	1 set
1 pc.	SB20a	Guide plate (large)	2 pcs.
1 pc.	SB20b	Guide plate (small)	1 pc.
2 sets	SB21	Guide metal fixed screw & washer	4 sets
1 pc.	SB22a	Guide metal washer	3 pcs.
1 pc.	SB22b	Guide metal screw	3 pcs.
1 pc.	SB22c	Guide metal nut	3 pcs.
1 pc.	SB23	Crank cover	1 pc.
1 pc.	SB23b	Crank cover screw	4 pcs.
1 pc.	SB24	Pressure shaft holder	1 pc.
1 pc.	SB24b	Pressure shaft holder screw	1 pc.
1 pc.	SB25	Pressure shaft	4 pcs.

Part No.	Part Name	Q'ty
SB25b	Rubber, washer & screw	1 set
SB26	Pressure foot	1 pc.
SB26b	Pressure foot screw	2 pcs.
SB27	Pressure shaft knob	1 pc.
SB28a	Stand	1 pc.
SB28b	Stand set screw	1 pc.
SB28c	Stand set washer	1 pc.
SB28d	Stand set nut	1 pc.
SB29	Knife slide	1 set
SB29b	Knife slide screw	3 pcs.
SB30a	Base	1 pc.
SB30b	Front base	1 pc.
SB30c	Front base spring	2 pcs.
SB30d	Front base pin	2 pcs.
SB31	Cap screw	4 pcs.
SB32	Throat plate	1 pc.
SB33	Throat plate screw	2 pcs.
SB34	Roller assembly	4 sets
SB34a	Roller bracket	4 pcs.
SB34b	Roller	4 sets
SB34c	Washer	8 pcs.
SB35	Roller fixed screw	8 pcs.
SB38	Stay piece	1 pc.
SB39	Brake lever	1 pc.
SB39a	Brake lever screw	1 pc.
SB40	Lever pin & snap ring	1 set
SB41	Lever spring	1 pc.
SB46	Rotor field (stator)	1 pc.
SB46a	Screw	4 pcs.
SB47	Rotor with shaft	1 pc.
SB49A	Stator base (contact flange)	1 pc.
SB49B	Screw	2 pcs.
SB50	Rotor base (governor)	1 pc.
SB51a	Rotor base nut	1 pc.
SB51b	Rotor base washer	1 pc.
SB52A	Rotor base box	1 pc.
SB52B	Rotor base box screw	2 pcs.
SB53A	Motor field cover	1 pc.
SB54	Operating handle	1 pc.
SB55A	Switch plate	1 pc.
SB55B	Screw	2 pcs.
SB56	Switch	1 set
SB56B	ON/OFF indication plate	1 pc.
SB56C	Switch cap	1 pc.
SB57	Carrying handle	1 pc.
SB58a	Terminal set screw (long)	1 pc.
SB58b	Terminal set screw (short)	1 pc.
SB59	Carrying handle set screw	4 pcs.
SB60	Stand fixed screw & washer	3 set
SB61	Oil tube	1 pc.
SB62a	Oil tube fixture	1 pc.
SB62b	Oil cap	1 pc.
SB63	Terminal block	1 set
SB64	Terminal plate	1 pc.
SB65	Box wrench	1 pc.
SB66	Knife groove cleaner	1 pc.
SB67	Knife (blade) 5"~8"	1 pc.
SB70A	Rotor hand pulley	1 pc.
SB70B	Snap ring	1 pc.
SB71A	Pin	1 pc.
SB71B	Washer	1 pc.
SB72	Spring	1 pc.
SB73	Rotor shaft nut	1 pc.
SB74	Corrugated washer	1 pc.
SB75	Hand pulley holder	1 pc.
SB76	Oil holder	1 pc.
SB76b	Oil holder screw	2 pcs.
SB78	Sharpening stone	1 pc.
SB79	Electric cord with plug (10 feet)	1 pc.

