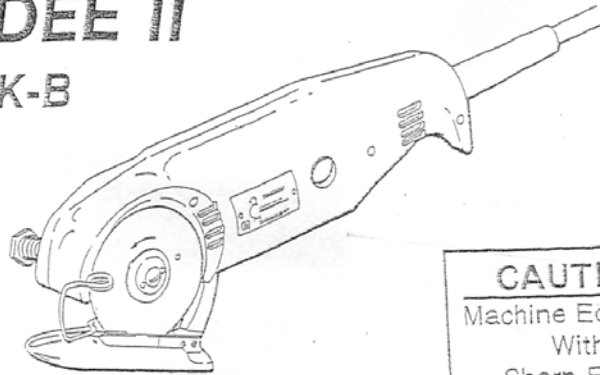


EASTMAN

CHICKADEE[®] II

Model CHICK-B



CAUTION
Machine Equipped
With
Sharp Blade

Instructions & Illustrated Parts List

Your new Chickadee II is designed to replace hand held shears for increased performance and capacity with a minimum of maintenance and service. Equipped with either a round blade for general use or hexagonal blade for sheer or difficult to cut cloth. The Chickadee features a totally enclosed sharpener for fast and safe sharpening.

CAUTION
Read instructions carefully before starting motor. Be sure that voltage and current are the same as stamped on nameplate.

TO OPERATE MACHINE

Squeeze the grip activated ON/OFF switch on the bottom of motor housing; if cutter does not perform properly check line output and be sure the unit is plugged in properly making full contact. Do not attempt to start this unit while knife is in material to be cut.

TO SHARPEN KNIFE

Take the machine out of material to be cut. To obtain a fine, keen edge on the blade, while machine is running press lightly on sharpener button (63C3-22) with a constant pressure. Hold for 10 seconds, then release.

WARNING

Before performing any of the following procedures, make sure the power cord has been disconnected from power source.

LUBRICATION

Follow this procedure yearly for intermittent use, or every six months for continuous use. Remove knife. Remove retainer plate (79C12-276) (2 screws) with gear intact. Then remove screw (20C13-99), emery wheel (541C1-24) and wipe away any grit deposits. Apply a light coat of Eastman Lubriko Grease (242C2) to parts and re-assemble. Then add small quantity of Eastman Lubriko Grease to gears and shaft. Saturate wick (191C1-37) with Eastman's specially compounded oil (242C1) when changing blade.

ADJUSTMENT OF SHEAR PLATE

Shear plate (726C1-17) should contact knife at sharpened edge only. Clearance of back of shear plate is .010" (.25mm) and can be checked with feeler gage.

Eastman *machine*
COMPANY

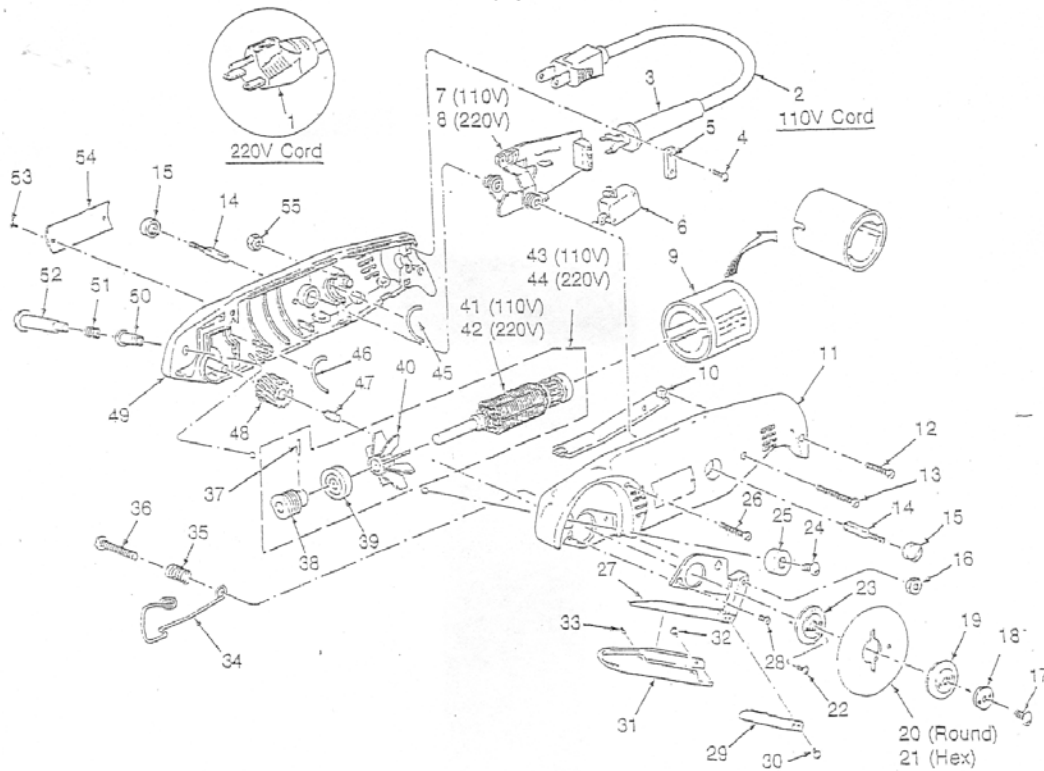
779 Washington St., Buffalo, N.Y. 14203 U.S.A. • (716)856-2200 • Telex 4432018 • Cable EMCO BUF • Fax (716)856-1140
Manufacturers of Eastman Cloth Cutting and CRA Cloth Spreading Machines

EASTMAN

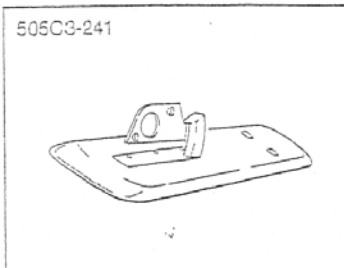
Illustrated Parts List

ITEM	PART NO.	DESCRIPTION	QTY.	ITEM	PART NO.	DESCRIPTION	QTY.
1	523C2-48	Cord Assembly (220V)	1	27	79C12-276	Gear Retaining Plate	1
2	523C2-47	Cord Assembly (110V)	1	28	302C8-2	Screw, Flat Head 4-40 x 3/4	2
3	1C13-26	Cord Sleeve	1	29	726C1-17	Sear Plate w/Carbide	1
4	300C8-1	Screw, Round Head 4-40 x 3/8	2	30	305C8-4	Screw, Binding Head 4-40 x 1/8	1
5	50C7-26	Cord Clamp	1	31	66C3-6	Pressure Foot	1
6	580C1-103	Switch On/Off	1	32	301C8-6	Screw, Fil. Head 4-40x3/16	1
7	830C1-11	Circuit Board w/Switch (110V)	1	33	309C8-3	Setscrew, 4-40 x 1/8	1
8	830C1-10	Circuit Board w/Switch (220V)	1	34	25C4-169	Knife Guard	1
9	829C1-4	Magnet Assembly	1	35	34C8-12	Spring	1
10	57C1-63	Switch Lever	1	36	301C15-6	Screw, Fil. Head 10-32 x 1	1
11	122C1-26	Motor Housing, Left	1	37	17C15-133	Armature Pin	1
12	301C8-1	Screw, Fil. Head 4-40 x 1/2	1	38	87C7-44	Worm Gear	1
13	301C8-5	Screw, Fil. Head 4-40x1 1/2	1	39	90C6-48	Front Bearing	1
14	708C1-15	Brush w/Spring	2	40	10C1-45	Fan	1
15	86C7-42	Brush Cap	2	41	190C1-2	Armature (110V)	1
16	4C1-149	Nut, Hex	1	42	190C1-3	Armature (220V)	1
17	300C12-3	Screw, Round Head 8-32 x 3/8	1	43	542C1-102	Armature Assembly (110V)	1
18	12C15-124	Washer, Blade Retainer	1	44	542C1-103	Armature Assembly (220V)	1
19	53C11-112	Knife Cover Flange	1	45	18C6-72	Back "O" Ring Half	2
20	80C1-147	Round Knife, 2 1/4"	1	46	18C6-71	Front "O" Ring Half	2
21	80C1-149	Hex Knife, 2 1/4"	1	47	191C1-37	Wicking Felt	1
22	301C3-1	Screw, Fil. Head 2-56 x 1/2	2	48	87C7-43	Knife Gear	1
23	83C4-25	Knife Flange	1	49	122C1-27	Motor Housing, Right	1
24	20C13-99	Screw, Pan Head	1	50	21C6-3	Sharpener Bushing	1
25	541C1-24	Emery Wheel	1	51	34C10-165	Sharpener Spring	1
26	301C8-4	Screw, Fil. Head 4-40x3/4	1	52	63C3-22	Sharpener Button	1
				53	17C15-136	Pin, Label	4
				54	79C2-77	Nameplate	2
				55	4C2-106	Nut, Hex	1

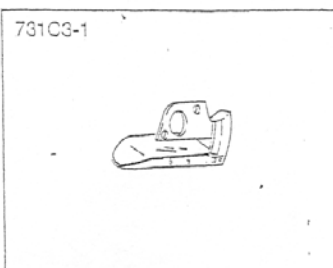
To order replacement parts call Customer Service at (716) 856-2200. Please specify model and serial number of machine along with part number, description and quantity of parts in order.



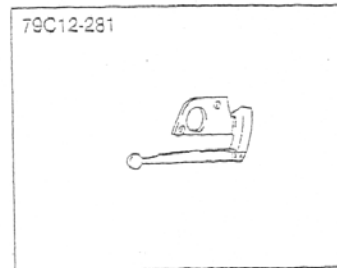
**Optional
Base**



Baseplate:
A small baseplate with needle rollers for a free standing rotary shear. Provides the greatest degree of accuracy from top to bottom ply.

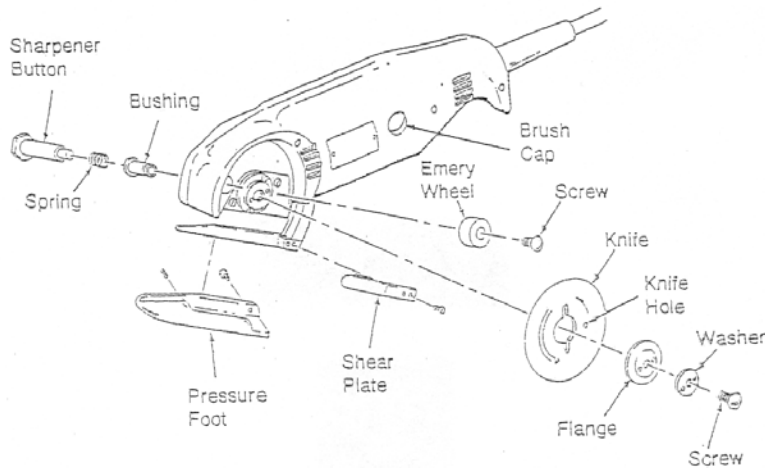


Broad Stabilizer:
For those applications where slightly more stability is necessary, useful for eliminating distortion between plies.



Ball Tip:
Best when slitting tubular knits or other loosely woven materials.

Eastman *machine*
COMPANY



REPLACE MOTOR BRUSHES

Remove black brush caps (86C7-42) from sides of housing with a large bladed screwdriver. Gently pull on springs to remove brushes. If brushes are stuck, tap machine gently on padded surface to loosen brushes.

Replace brushes (708C1-15) if worn to less than 5/32" (4.2mm) or if spring is less than 11/32" (9.0mm). Replace brush caps and tighten gently.

KNIFE REPLACEMENT

Disconnect Chickadee power cord from wall outlet (electric power source). Loosen two screws at pressure foot (68C3-6) and swing foot down out of way. Lay Chickadee on its side with knife facing up. Insert a pin or allen wrench into knife hole.

With large screwdriver in center screw (300C12-3), turn screwdriver counterclockwise until pin locks against housing. Remove screw, washer and flange. CAREFULLY lift out WORN SHARP KNIFE and DISCARD WITH CARE. Lubricate wick with a few drops of Eastman oil. Install new Eastman knife with Eastman facing outward. Slip knife under shear plate and position knife center over two screw heads. Reverse above procedure to secure new knife.

EMERY WHEEL REPLACEMENT

Disconnect Chickadee power cord from wall outlet and remove knife. With Chickadee on its side (knife facing up), hold sharpener button (63C3-22) with suitable wrench. Remove screw (20C13-99) and lift off emery wheel. Install new Eastman emery wheel and reverse above procedure.

Guarantee

We guarantee our machines for six months from date of invoice against defective parts and workmanship and will repair or replace any machine that proves defective from these causes when returned to us, carrying charges prepaid. This guarantee does not include making good for damages caused by misuse, neglect or normal wear; and is void if other than genuine EASTMAN Knives, Belts, Emery Wheels and parts are used in the machine.

Eastman *machine*
COMPANY

779 Washington St., Buffalo, N.Y. 14203 U.S.A. • (716)856-2200 • Telex 4432018 • Cable EMCO BUF • Fax (716)856-1140
Manufacturers of Eastman Cloth Cutting and CRA Cloth Spreading Machines