



**POU 4T**  
**POU 6T**

*Sharing the Warmth™*

## Tankless Electric Water Heater

The EcoSmart point-of use (POU) thermostatic series model numbers 4T and 6T are tankless electric water heaters with self-modulating technology, and only consume the energy necessary for each use. Both models are ideal for handwashing in cooler climates and are perfect for a bathroom, wet bar, or office breakroom. In warmer climates, the POU 6T can supply two small sinks simultaneously, or one larger (1 gallon-per-minute) sink application. Both models have digital displays showing output temperature, which can be adjusted in 1-degree increments. EcoSmart tankless electric water heaters are durable, compact, and easy to install.



Tested and certified by the Water Quality Association against NSF/ANSI 372 for lead free compliance.



**ecosmart**  
TANKLESS WATER HEATERS

[ecosmartus.com](http://ecosmartus.com)



**endless**  
hot water



**save**  
space



**save**  
energy

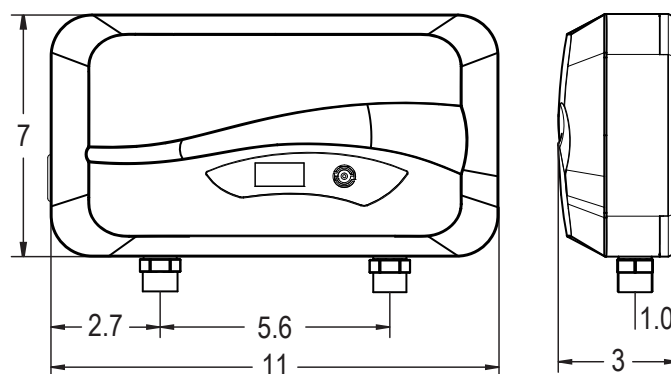


**save**  
time



**save**  
money

# POU 4T POU 6T



Product dimensions shown in inches.

## SPECIFICATIONS

Model #	POU 4T	POU 6T
<b>kW</b>	3.5	6.5
<b>Voltage</b>	120	240
<b>Phase</b>	Single	Single
<b>Element</b>	(1) 3.5kW @ 120V	(1) 6.5kW @ 240V
<b>Required Breaker</b>	30A	30A DP
<b>Max Power</b>	29A	25A
<b>Required Wire</b>	10 AWG	10 AWG
<b>Water Connections</b>	1/2" NPT	1/2" NPT
<b>Dimensions</b>	7" x 11" x 3"	7" x 11" x 3"
<b>Weight</b>	4 lb	4 lb
<b>Digital Temp. Adj.</b>	yes	yes
<b>Heat Exchanger</b>	Stainless Steel	Stainless Steel
<b>Protection</b>	Thermal Auto Reset	Thermal Auto Reset
<b>Energy Efficiency</b>	99.8%	99.8%
<b>Certification</b>	ETL Listed to UL-499 and CAN/CSA-C22.2 No. 64	
<b>Warranty</b>	1 year parts 5 years leaks	
<b>Operating Pressure</b>	Minimum: 25 PSI   Maximum: 150 PSI (Note: Flow Activated at 0.25 GPM)	

## TEMPERATURE RISE

The POU 4T and POU 6T are the perfect fit to provide hot water for point-of-use or low-flow applications. These models are equipped with patented, self-modulating technology so they will only consume the energy necessary for the specified demand.

## FLOW RATE CAPACITY CHART (GPM)

MODEL	37°F	42°F	47°F	52°F	57°F	62°F	67°F	72°F	77°F
<b>POU 4T</b>	–	–	–	–	0.5	0.6	0.6	0.7	0.9
<b>POU 6T</b>	0.7	0.7	0.8	0.8	0.9	1.0	1.2	1.3	1.6

Flow rate shown in GPM based on outlet temperature of 105°F. Inlet temperature varies by region and seasonal changes.

"EcoSmart®" is member of the Eemax, Inc. family of brands. © 2019 Eemax, Inc. All rights reserved.

[ecosmartus.com](http://ecosmartus.com)

Sharing the Warmth



**ecosmart®**  
TANKLESS WATER HEATERS

EcoSmart, 400 Captain Neville Dr, Waterbury, CT 06705 USA  
877-474-6473 | [support@ecosmartus.com](mailto:support@ecosmartus.com)