



## Electric Tankless Water Heater

MODEL	KW	VOLTS	BREAKER	REQUIRED WIRE	WATER CONNECTIONS
<b>ECO 36</b>	36	240	(4) 40 A	(4) 8 AWG	3/4" NPT



Tested and certified by the Water Quality Association against NSF/ANSI 372 for lead free compliance.

### Temperature Rise

The ECO 36 is the most powerful EcoSmart tankless water heater so it is the perfect fit to heat multiple fixtures simultaneously. The ECO 36 is recommended for whole house water heating or other high-flow applications. This model is equipped with patented, self-modulating technology so that it will only consume the energy necessary for the current demand. The ECO 36 also comes standard with digital temperature control in increments of 1°F. Below is a chart showing the flow rate capacity of each model, measured in gallons per minute for various inlet water temperatures and calculated for a set output temperature of 105° F.

#### Flow Rate Capacity Chart (GPM)

MODEL	37°F	42°F	47°F	52°F	57°F	62°F	67°F	72°F	77°F
<b>ECO 36</b>	3.6	3.9	4.2	4.6	5.1	5.7	6.5	7.5	8.8

Flow rate shown in GPM based on outlet temperature of 105°F. Inlet temperature varies by region and seasonal changes.

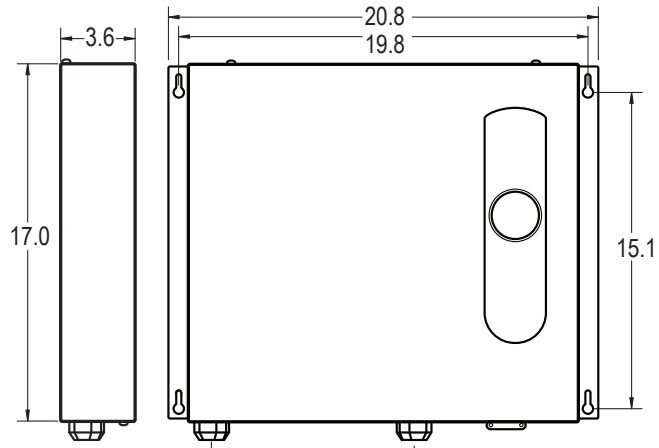
### Applications

Standard Hand Sink	0.5 GPM
Water-Saver Showerhead	1.5 GPM
Standard Showerhead	2.0 GPM
Bath Tub	≥ 4.0 GPM

Average Gallons Per Minute (GPM)  
based on 2010 Plumbing Standards

### Product Attributes

- On-demand, consistent and endless hot water
- Compact, durable and stylish
- Digital display with temperature control in increments of 1°F ranging from 80°F to 140°F
- Dimensions: 17" x 21" x 3.75"
- Simple Installation
- Copper heating elements with brass top increase durability and are threaded for easy replacement
- 3/4" NPT water connectors for easy flex hose installation
- Limited lifetime warranty for residential use when registered properly and installed within 30 days of purchase by a licensed professional



Product dimensions shown in inches.

## Specifications

SPECIFICATION	ECO 36
<b>kW</b>	36
<b>Voltage</b>	240
<b>Phase</b>	Single
<b>Element</b>	(4) 9kW @ 240V
<b>Amperage Draw</b>	150 A
<b>Required Breaker</b>	(4) 40 A
<b>Required Wire</b>	(4) 8 AWG
<b>Weight</b>	18.35 lb
<b>Heat Exchanger</b>	Copper
<b>Protection</b>	Thermal Auto
<b>Certification</b>	ETL Listed to UL-499 and CAN/CSA-C22.2 No. 64
<b>Warranty</b>	Limited Lifetime



### ECO 36

Uses four (4) 9kW at 240V elements.

### Operating Pressure

Minimum	Maximum
25 PSI	150 PSI

Note: Flow Activated at 0.25 GPM

## EcoSmart Submittal

Engineer/Architect: \_\_\_\_\_

Job Name/Customer: \_\_\_\_\_

Location: \_\_\_\_\_

Contractor: \_\_\_\_\_

Representative: \_\_\_\_\_

**HEATER SPECIFICATIONS**      **Quantity**      **kW**      **Voltage**      **AMPS**

Model: ECO \_\_\_\_\_      \_\_\_\_\_      \_\_\_\_\_      \_\_\_\_\_      \_\_\_\_\_



400 Captain Neville Drive  
 Waterbury, CT 06705  
 Toll Free: (877) 474-6473  
 support@ecosmartus.com  
**EcoSmartUS.com**