

GAS TANKLESS



Indoor Direct Vent

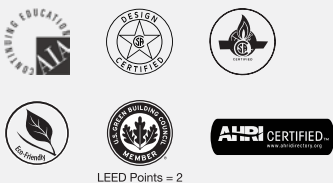
Outdoor

ESGH-84
ESGH-95

Sharing the Warmth™

High-efficiency condensing tankless gas water heaters designed for endless hot water

When a gas tankless water heater is needed, EcoSmart's high-efficiency indoor and outdoor ESGH Series provide endless hot water and help homeowners save up to 1,100 gallons of water annually by decreasing the flow of water through the pipes until the temperature reaches the heater's set temperature. With the industry's first minimum flow rate and minimum, activation flow rate ensures the homeowner will have hot water including in low demand situations. Special features include Maintenance Notice setting to alert the homeowner when a service is needed, digital temperature display, Recirculation Pump kit- Ready, 1/2" gas line compatibility and self-diagnostic system for easy installation. This series of EcoSmart Mid Efficiency tankless gas heaters save space, save water, saves energy and provides endless hot water on demand.



ecosmart®
TANKLESS WATER HEATERS

ecosmartus.com



endless
hot water



save
space



save
energy

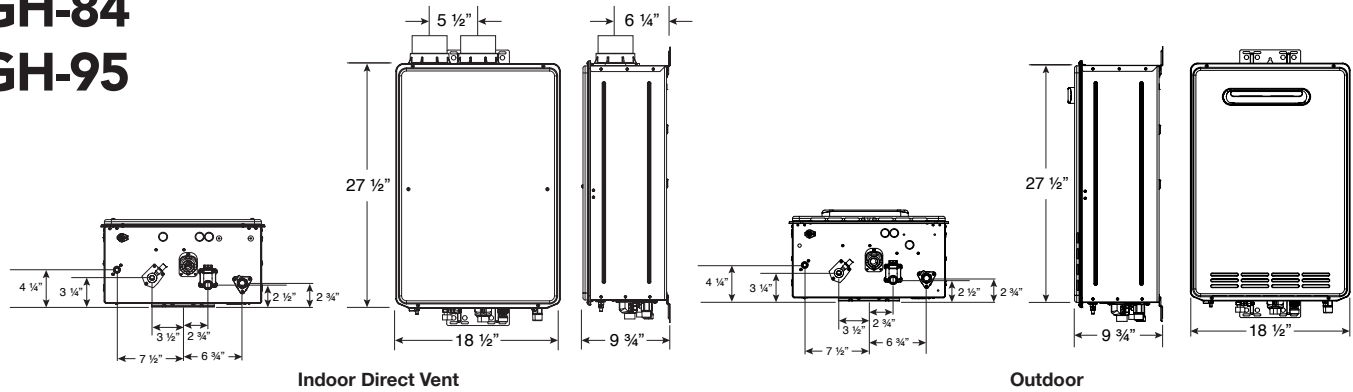


save
time



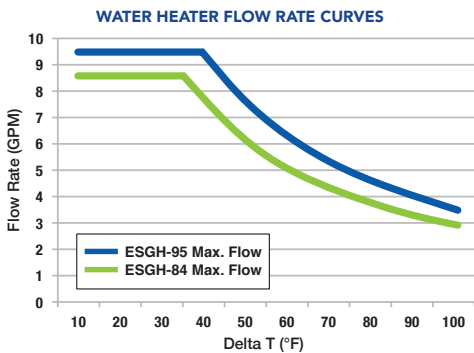
save
money

ESGH-84 ESGH-95



SPECIFICATIONS

| MODEL | DESCRIPTION | | | FEATURES | | | ROUGHING IN DIMENSIONS | | | | | ENERGY INFO | | | | | |
|--|-----------------|--------------------|----------------------|-----------|-----------|--------------------------|------------------------|---------------|----------|------------------|----------------|-------------|---------|--------|---------------------|-------------|-----------------------------|
| | GAS INPUT BTU/H | TYPE | NUMBER OF BATHROOMS* | MIN. TEMP | MAX. TEMP | MIN. FLOW/ACTIVATION GPM | 67° RISE MAX. | 45° RISE MAX. | MAX. GPM | CONNECTION WATER | CONNECTION GAS | HEIGHT | WIDTH | DEPTH | VENT DIAM. | SHIP WEIGHT | UNIFORM ENERGY FACTOR (UEF) |
| EcoSmart ESGH-95 High-Efficiency Series | | | | | | | | | | | | | | | | | |
| ESGH-95-DVLN-2 | 11,000-199,900 | Indoor Direct Vent | 4 | 85°F | 140°F | 0.26/0.40 | 5.7 GPM | 8.5 GPM | 9.5 | 3/4" | 3/4" | 27-1/2" | 18-1/2" | 9-3/4" | 2" or 3" PVC 2-Pipe | 82 lb | .93 |
| ESGH-95-XLN-2 | 11,000-199,900 | Outdoor | 4 | 85°F | 140°F | 0.26/0.40 | 5.6 GPM | 8.5 GPM | 9.5 | 3/4" | 3/4" | 27-1/2" | 18-1/2" | 9-3/4" | N/A | 82 lb | .93 |
| EcoSmart ESGH-84 Hi-Efficiency Series | | | | | | | | | | | | | | | | | |
| ESGH-84-DVLN-2 | 11,000-157,000 | Indoor Direct Vent | 3 | 85°F | 140°F | 0.26/0.40 | 4.6 GPM | 6.7 GPM | 8.4 | 3/4" | 3/4" | 27-1/2" | 18-1/2" | 9-3/4" | 2" or 3" PVC 2-Pipe | 82 lb | .93 |
| ESGH-84-XLN-2 | 11,000-157,000 | Outdoor | 3 | 85°F | 140°F | 0.26/0.40 | 4.5 GPM | 6.7 GPM | 8.4 | 3/4" | 3/4" | 27-1/2" | 18-1/2" | 9-3/4" | N/A | 82 lb | .93 |



MAXIMUM VENT LENGTH (INTAKE/OUTLET) EACH:

| Number of 90° Elbows | Maximum Length of 2" Straight Pipe | Maximum Length of 3" Straight Pipe |
|----------------------|------------------------------------|------------------------------------|
| 0 or 1 | 60.0 ft | 150.0 ft |
| 2 | 58.5 ft | 148.5 ft |
| 3 | 57.0 ft | 147.0 ft |
| 4 | 55.5 ft | 145.5 ft |
| 5 | 54.0 ft | 144.0 ft |
| 6 | 52.5 ft | 142.5 ft |

(ULC-S636 pipe must be used for Canada.)

* Based on simultaneous showers using 2.5 GPM flow rate pre-mixed with cold water line. Flow rates vary depending on temperature of incoming cold water and water heater set temperature. Refer to flow rate curves for accurate sizing.

Uniform Energy Factor based on Department of Energy (D.O.E.) requirements.

All models are available in Natural Gas and Propane (LP). For Propane replace the N with P when ordering.

SCAQMD 1146.2 compliant.

Factory set maximum temperature is 120° F. See Use and Care Manual for setting.

Consult factory for information on sizing the application.

Vent Termination Kits are required for Direct Vent models. Contact your distributor for details.

Proper gas pressure must be ensured to supply tankless gas water heaters – up to 199,900 BTU/h for ESGH-95 models, up to 157,000 BTU/h for ESGH-84 models. (Consult your gas supplier)

TEMPERATURE RISE

The chart to the right reflects flow rate for different gas tankless models at various temperature rises (in °F) shown in gallons per minute. Estimates are for sizing purposes only.

| Model | 35° | 45° | 50° | 60° | 67° | 70° | 80° | 90° | 100° |
|-----------------------|-----|-----|-----|-----|-----|-----|-----|-----|------|
| ESGH-95 Series | 9.5 | 8.5 | 7.7 | 6.4 | 5.7 | 5.5 | 4.8 | 4.3 | 3.8 |
| ESGH-84 Series | 8.4 | 6.7 | 6.0 | 5.0 | 4.6 | 4.3 | 3.8 | 3.3 | 3.0 |

Information and product specifications contained in this document are subject to change without notice.



ecosmart
TANKLESS WATER HEATERS

"EcoSmart" is member of the Eemax, Inc. family of brands. © 2019 Eemax, Inc. All rights reserved.

ecosmartus.com

Sharing the Warmth

EcoSmart, 400 Captain Neville Dr, Waterbury, CT 06705 USA

877-474-6473 | support@ecosmartus.com