



Sharing the Warmth™

**ECO 8
ECO 11**

Tankless Electric Water Heater

EcoSmart ECO 8 and ECO 11 are ideal for handwashing in cooler climates and are perfect for a bathroom, small sink, or office breakroom. When used as a point-of-use water heater, ECO 8 supports applications requiring 0.5 to 2.0 gallon per minute. In warmer climates, ECO 11 can provide continuous hot water at up to 3.2 gallons per minute, supporting a bathroom shower or kitchen sink. Both models have digital displays showing output temperature and can be adjusted in 1-degree increments. EcoSmart tankless electric water heaters are durable, compact, and easy to install.

From a single sink to larger applications like strip malls, doctor's offices, boats, recreational vehicles, schools, restaurants, airports, commercial facilities, hotels, and daycare centers, all EcoSmart products are water saving, cost saving and energy efficient.

EXAMPLE APPLICATIONS

Description	GPM	Range
Low Flow Faucet	0.5	0.5–0.9
Bathroom Faucet	1	0.5–1.3
Kitchen Faucet	1.5	1.0–2.2
Shower	2	1.5–2.5



Tested and certified by the Water Quality Association against NSF/ANSI 372 for lead free compliance.



ecosmart
TANKLESS WATER HEATERS

ecosmartus.com



endless
hot water



save
space



save
energy

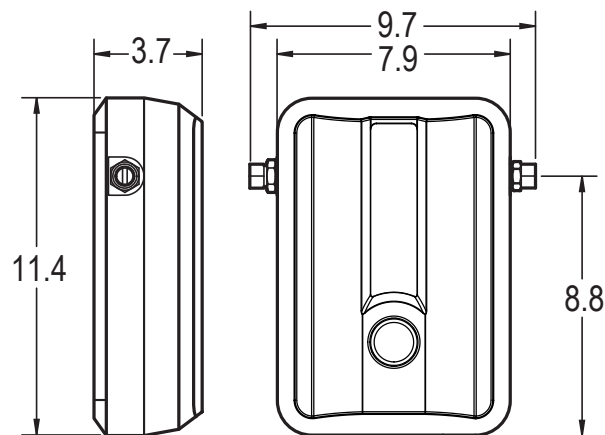
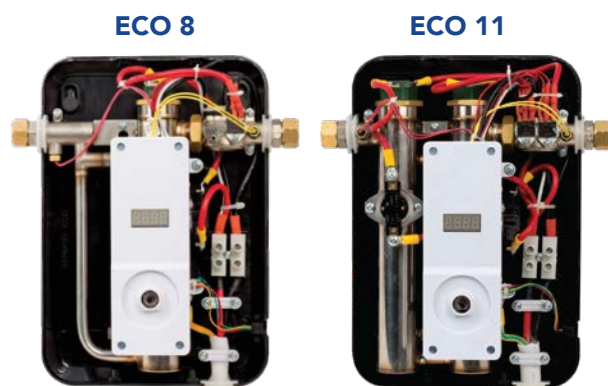


save
time



save
money

ECO 8 ECO 11



Product dimensions shown in inches.

SPECIFICATIONS

Model #	ECO 8	ECO 11
kW	8	11/13
Voltage	240	220/240
Phase	Single	Single
Element	(1) 6kW @ 208V	(2) 5.5kW @ 220V
Required Breaker	40A DP	60A DP
Max Power	33A	54A
Required Wire	8 AWG	6 AWG
Water Connections	1/2" CF	1/2" CF
Dimensions	11.4" x 7.9" x 3.7"	11.4" x 7.9" x 3.7"
Weight	4.75 lb	6.5 lb
Digital Temp. Adj.	yes	yes
Heat Exchanger	Stainless Steel	Stainless Steel
Protection	Thermal Auto Reset	Thermal Auto Reset
Energy Efficiency	99.8%	99.8%
Certification	ETL Listed to UL-499 and CAN/CSA-C22.2 No. 64	
Warranty	Limited Lifetime	
Operating Pressure	Minimum: 25 PSI Maximum: 150 PSI (Note: Flow Activated at 0.3 GPM)	

TEMPERATURE RISE

The ECO 8 and ECO 11 are the perfect fit to provide hot water for point-of-use or low-flow applications. These models are equipped with patented, self-modulating technology so they will only consume the energy necessary for the specified demand. The ECO 8 and ECO 11 also come standard with digital temperature control in increments of 1°F. Below is a chart showing the flow rate capacity of each model, measured in gallons per minute for various inlet water temperatures and calculated for a set output temperature of 105° F.

FLOW RATE CAPACITY CHART (GPM)

MODEL	37°F	42°F	47°F	52°F	57°F	62°F	67°F	72°F	77°F
ECO 8	0.8	0.9	0.9	1.0	1.1	1.3	1.4	1.7	2.0
ECO 11	1.3	1.4	1.5	1.7	1.9	2.1	2.3	2.7	3.2

Flow rate shown in GPM based on outlet temperature of 105°F. Inlet temperature varies by region and seasonal changes.

"EcoSmart®" is member of the Eemax, Inc. family of brands. © 2019 Eemax, Inc. All rights reserved.

ecosmartus.com

Sharing the Warmth



ecosmart®
TANKLESS WATER HEATERS

EcoSmart, 400 Captain Neville Dr, Waterbury, CT 06705 USA
877-474-6473 | support@ecosmartus.com