



Electric Tankless Water Heater

MODEL	KW	VOLTS	BREAKER	REQUIRED WIRE	WATER CONNECTIONS
ECO 6	8*	240*	40 A	8 AWG	1/2" CF
ECO 8	8	240	40 A	8 AWG	1/2" CF
ECO 11	11.8	220	60 A	6 AWG	1/2" CF



Tested and certified by the Water Quality Association against NSF/ANSI 372 for lead free compliance.

Temperature Rise

The ECO 6, ECO 8 and ECO 11 are the perfect fit to provide hot water for point-of-use or low-flow applications. These models are equipped with patented, self-modulating technology so they will only consume the energy necessary for the specified demand. The ECO 6, ECO 8 and ECO 11 also come standard with digital temperature control in increments of 1°F. Below is a chart showing the flow rate capacity of each model, measured in gallons per minute for various inlet water temperatures and calculated for a set output temperature of 105°F.

Applications

Standard Hand Sink	0.5 GPM
Water-Saver Showerhead	1.5 GPM
Standard Showerhead	2.0 GPM

Average Gallons Per Minute (GPM) based on 2010 Plumbing Standards

Flow Rate Capacity Chart (GPM)

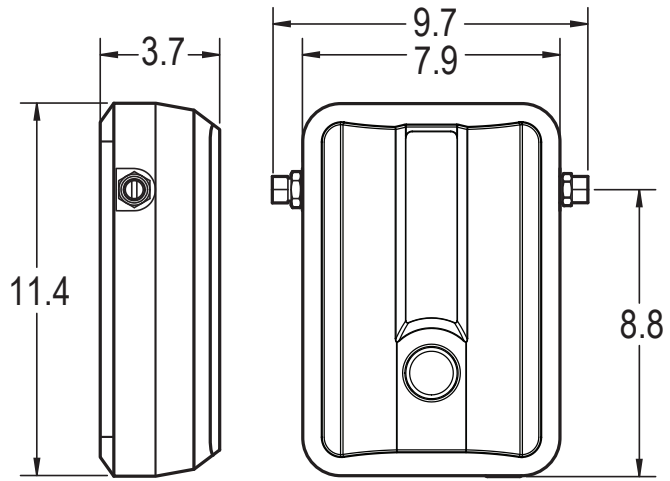
MODEL	37°F	42°F	47°F	52°F	57°F	62°F	67°F	72°F	77°F
ECO 6**	0.6	0.7	0.7	0.8	0.9	1.0	1.1	1.2	1.5
ECO 8	0.8	0.9	0.9	1.0	1.1	1.3	1.4	1.7	2.0
ECO 11	1.3	1.4	1.5	1.7	1.9	2.1	2.3	2.7	3.2

Flow rate shown in GPM based on outlet temperature of 105°F. Inlet temperature varies by region and seasonal changes.

**ECO 6 shown at 6kW derated 208V performance.

Product Attributes

- On-demand, consistent and endless hot water
- Compact, durable and stylish
- Digital display with temperature control in increments of 1°F ranging from 80°F to 140°F
- Dimensions: 11.5" x 8" x 3.75"
- Simple Installation
- Heating elements are durable and the top is threaded for easy replacement
- Limited lifetime warranty for residential use when registered properly and installed within 30 days of purchase by a licensed professional



Product dimensions shown in inches.

Specifications

SPECIFICATION	ECO 6	ECO 8	ECO 11
kW	8*	8	11.8
Voltage	240*	240	220
Phase	Single	Single	Single
Element	(1) 6kW @ 208V	(1) 6kW @ 208V	(2) 5.5kW @ 220V
Amperage Draw	33 A	33 A	54 A
Required Breaker	40 A	40 A	60 A
Required Wire	8 AWG	8 AWG	6 AWG
Weight	5.3 lb	5.3 lb	6.7 lb
Heat Exchanger	Stainless Steel	Stainless Steel	Stainless Steel
Protection	Thermal Auto	Thermal Auto	Thermal Auto
Certification	ETL Listed to UL-499 and CAN/CSA-C22.2 No. 64		
Warranty	Limited Lifetime		



ECO 6 | ECO 8

Use one (1) 6kW at 208V element.

ECO 11

Uses two (2) 5.5kW at 220V elements.

Operating Pressure

Minimum	Maximum
25 PSI	150 PSI

Note: Flow Activated at 0.25 GPM

*ECO 6: 6kW at derated 208V performance

EcoSmart Submittal

Engineer/Architect: _____

Job Name/Customer: _____

Location: _____

Contractor: _____

Representative: _____

HEATER SPECIFICATIONS **Quantity** **kW** **Voltage** **AMPS**

Model: ECO _____



400 Captain Neville Drive
Waterbury, CT 06705
Toll Free: (877) 474-6473
support@ecosmartus.com
EcoSmartUS.com