



Electric Tankless Water Heater

MODEL	KW	VOLTS	BREAKER	REQUIRED WIRE	WATER CONNECTIONS
ECO 24	24	240	(3) 40 A	(3) 8 AWG	3/4" NPT
ECO 27	27	240	(3) 40 A	(3) 8 AWG	3/4" NPT



Tested and certified by the Water Quality Association against NSF/ANSI 372 for lead free compliance.

Temperature Rise

The ECO 24 and ECO 27 are some of the larger EcoSmart tankless water heaters so they are the perfect fit to heat multiple fixtures simultaneously and are recommended for whole house or other high-flow applications. These models are equipped with patented, self-modulating technology so they will only consume the energy necessary for the specified demand. The ECO 24 and 27 also come standard with digital temperature control in increments of 1°F. Below is a chart showing the flow rate capacity of each model, measured in gallons per minute for various inlet water temperatures and calculated for a set output temperature of 105° F.

Applications

Standard Hand Sink	0.5 GPM
Water-Saver Showerhead	1.5 GPM
Standard Showerhead	2.0 GPM
Bath Tub	≥ 4.0 GPM

Average Gallons Per Minute (GPM) based on 2010 Plumbing Standards

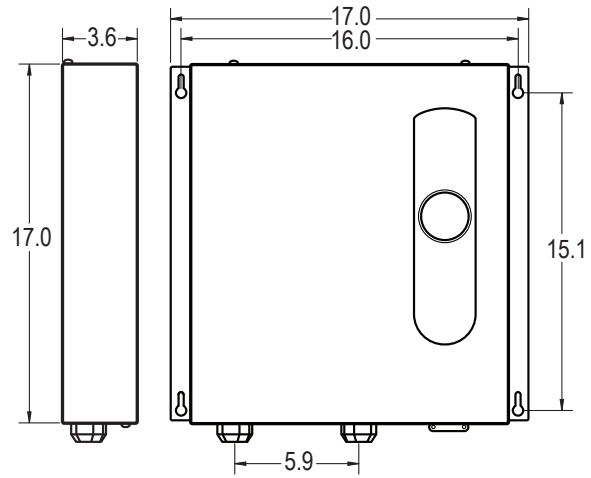
Flow Rate Capacity Chart (GPM)

MODEL	37°F	42°F	47°F	52°F	57°F	62°F	67°F	72°F	77°F
ECO 24	2.4	2.6	2.8	3.1	3.4	3.8	4.3	5.0	5.9
ECO 27	2.7	2.9	3.2	3.5	3.8	4.3	4.9	5.6	6.6

Flow rate shown in GPM based on outlet temperature of 105°F. Inlet temperature varies by region and seasonal changes.

Product Attributes

- On-demand, consistent and endless hot water
- Compact, durable and stylish
- Digital display with temperature control in increments of 1°F ranging from 80°F to 140°F
- Dimensions: 17" x 17" x 3.75"
- Simple Installation
- Copper heating elements with brass top increase durability and are threaded for easy replacement
- 3/4" NPT water connectors for easy flex hose installation
- Limited lifetime warranty for residential use when registered properly and installed within 30 days of purchase by a licensed professional



Product dimensions shown in inches.

Specifications

SPECIFICATION	ECO 24	ECO 27
kW	24	27
Voltage	240	240
Phase	Single	Single
Element	(3) 8kW @ 240V	(3) 9kW @ 240V
Amperage Draw	100 A	112.5 A
Required Breaker	(3) 40 A	(3) 40 A
Required Wire	(3) 8 AWG	(3) 8 AWG
Weight	14.3 lb	14.7 lb
Heat Exchanger	Copper	Copper
Protection	Thermal Auto	Thermal Auto
Certification	ETL Listed to UL-499 and CAN/CSA-C22.2 No. 64	
Warranty	Limited Lifetime	



ECO 24

Uses three (3) 8kW at 240V elements.

ECO 27

Uses three (3) 9kW at 240V elements.

Operating Pressure

Minimum	Maximum
25 PSI	150 PSI

Note: Flow Activated at 0.25 GPM

EcoSmart Submittal

Engineer/Architect: _____

Job Name/Customer: _____

Location: _____

Contractor: _____

Representative: _____

HEATER SPECIFICATIONS **Quantity** **kW** **Voltage** **AMPS**

Model: ECO _____



400 Captain Neville Drive
Waterbury, CT 06705
Toll Free: (877) 474-6473
support@ecosmartus.com
EcoSmartUS.com