



## Electric Tankless Water Heater

MODEL	KW	VOLTS	BREAKER	REQUIRED WIRE	WATER CONNECTIONS
<b>ECO 18</b>	18	240	(2) 40 A	(2) 8 AWG	3/4" NPT



Tested and certified by the Water Quality Association against NSF/ANSI 372 for lead free compliance.

### Temperature Rise

The ECO 18 is a mid-range EcoSmart tankless water heater capable of heating multiple fixtures simultaneously. In colder areas, with an inlet water temperature around 37°F, the ECO 18 can heat water for a water-saving shower head. Two showers can be run at the same time in warmer climates when incoming water temperature is above 67°F. This model is equipped with patented, self-modulating technology so that it will only consume the energy necessary for the current demand. Below is a chart showing the flow rate capacity of each model, measured in gallons per minute for various inlet water temperatures and calculated for a set output temperature of 105° F.

#### Flow Rate Capacity Chart (GPM)

MODEL	37°F	42°F	47°F	52°F	57°F	62°F	67°F	72°F	77°F
<b>ECO 18</b>	1.8	2.0	2.1	2.3	2.6	2.9	3.2	3.7	4.4

*Flow rate shown in GPM based on outlet temperature of 105°F. Inlet temperature varies by region and seasonal changes.*

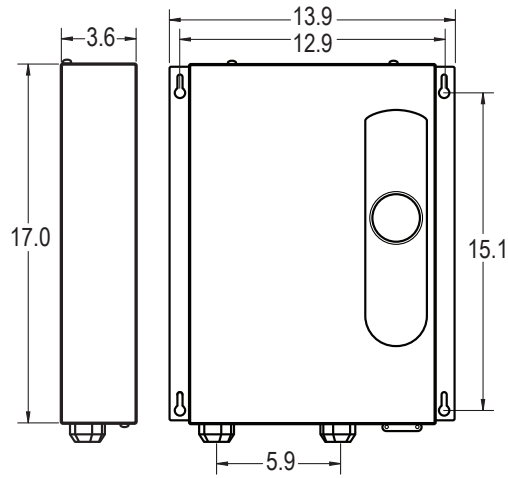
### Applications

Standard Hand Sink	0.5 GPM
Water-Saver Showerhead	1.5 GPM
Standard Showerhead	2.0 GPM
Bath Tub	≥ 4.0 GPM

*Average Gallons Per Minute (GPM) based on 2010 Plumbing Standards*

### Product Attributes

- On-demand, consistent and endless hot water
- Compact, durable and stylish
- Digital display with temperature control in increments of 1°F ranging from 80°F to 140°F
- Dimensions: 17" x 14" x 3.75"
- Simple Installation
- Copper heating elements with brass top increase durability and are threaded for easy replacement
- 3/4" NPT water connectors for easy flex hose installation
- Limited lifetime warranty for residential use when registered properly and installed within 30 days of purchase by a licensed professional



Product dimensions shown in inches.

## Specifications

SPECIFICATION	ECO 18
<b>kW</b>	18
<b>Voltage</b>	240
<b>Phase</b>	Single
<b>Element</b>	(2) 9kW @ 240V
<b>Amperage Draw</b>	75 A
<b>Required Breaker</b>	(2) 40 A
<b>Required Wire</b>	(2) 8 AWG
<b>Weight</b>	11.7 lb
<b>Heat Exchanger</b>	Copper
<b>Protection</b>	Thermal Auto
<b>Certification</b>	ETL Listed to UL-499 and CAN/CSA-C22.2 No. 64
<b>Warranty</b>	Limited Lifetime



### ECO 18

Uses two (2) 9kW at 240V elements.

### Operating Pressure

Minimum	Maximum
25 PSI	150 PSI

Note: Flow Activated at 0.25 GPM

## EcoSmart Submittal

Engineer/Architect: \_\_\_\_\_

Job Name/Customer: \_\_\_\_\_

Location: \_\_\_\_\_

Contractor: \_\_\_\_\_

Representative: \_\_\_\_\_

**HEATER SPECIFICATIONS**      **Quantity**      **kW**      **Voltage**      **AMPS**

Model: ECO \_\_\_\_\_



400 Captain Neville Drive  
Waterbury, CT 06705  
Toll Free: (877) 474-6473  
support@ecosmartus.com  
**EcoSmartUS.com**