



AQUATRAM® ADA COMPLIANT POOL ACCESS LIFTS

RECREATION FOR ALL. SUPPORT BY PENTAIR.



Choose the only ADA Compliant lift brand that's backed by the world's #1 provider of swimming pool equipment. When you install an AquaTRAM lift, you provide safer, easier swimming pool access for swimmers with physical disabilities. Thanks to our versatile three-model

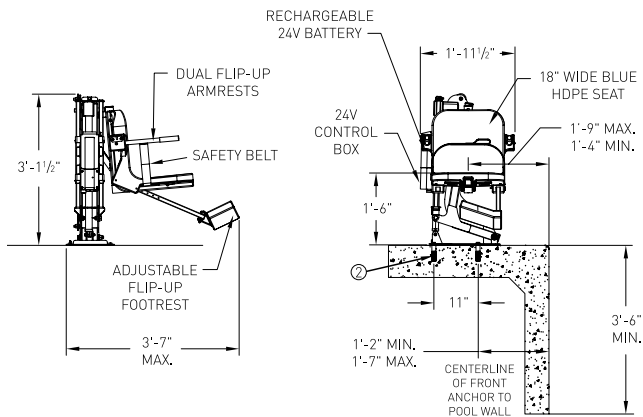
lineup, there's an AquaTRAM lift to fit every pool and every budget... comfortably. And with the backing of the industry leader, Pentair Commercial Aquatics™, there's every reason to feel confident about the quality of your purchase.

STANDARD FEATURES

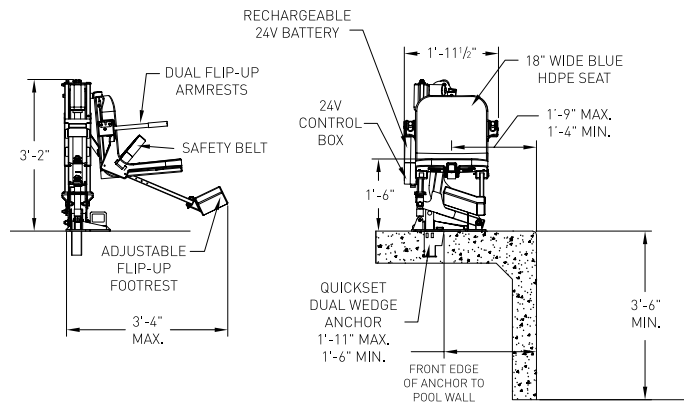
- All AquaTRAM lifts comply with ADA Guidelines.
- Dual flip-up armrests provide easier and safer access.
- Rechargeable battery-powered operation for easier use.
- Comfortable seat with adjustable lap belt.
- Simple-to-operate controls provide easier access in and out of pool.
- Stainless steel with corrosion-resistant powder-coated finish.
- Lifting capacities up to 500 pounds.



AQUATRAM® ADA COMPLIANT POOL ACCESS LIFTS



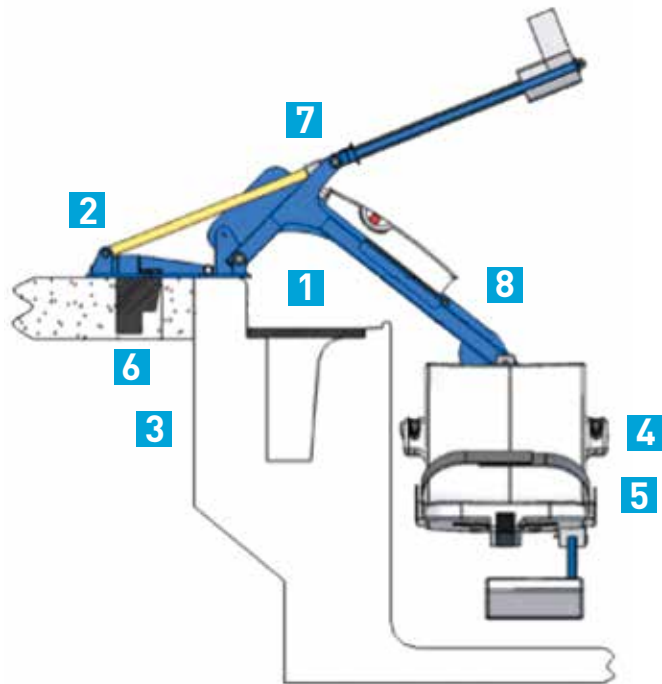
AquaTRAM LT Lift

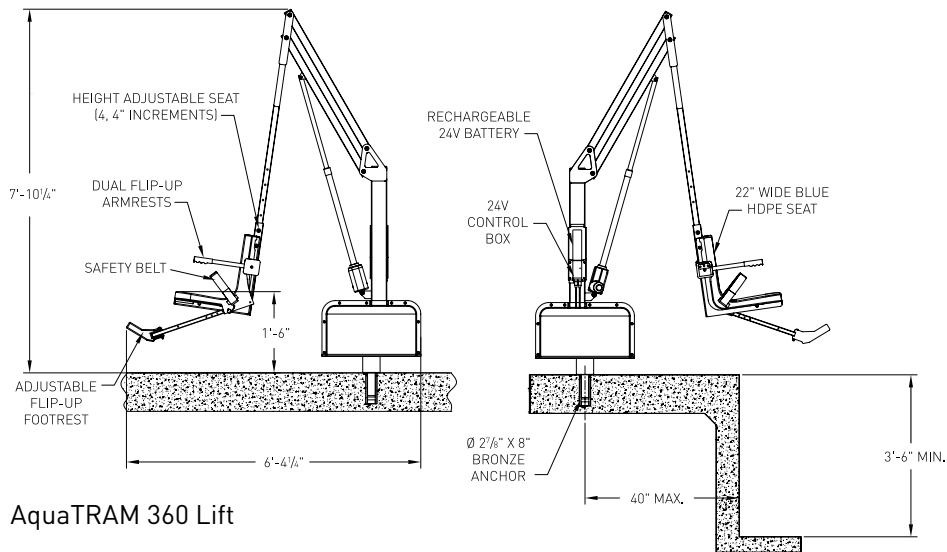


AquaTRAM Lift

AquaTRAM (shown) and AquaTRAM LT Lifts: Features and Benefits

1. ADA Compliant.
2. Low profile design uses minimal deck space, does not extend into the water when not in use.
3. Lightweight; small enough to fit through most doorways.
4. Dual flip-up armrests provide easier access and safer transfers on the pool deck and in the water.
5. Comfortable seat has an adjustable lap belt with hook-and-loop fasteners, plus an adjustable and removable footrest. Simple 2-button controller lets the user raise and lower the chair while seated.
6. AquaTRAM lift: Removes without tools, and easily transports with optional cart. Multiple anchors can be installed in various locations around the pool to best support scheduled activities. AquaTRAM LT lift: Lag bolt anchoring allows quick removal with tools.
7. Stainless steel construction with corrosion-resistant powder-coat finish.
8. Rechargeable battery-powered operation is easier to install than water-powered lifts; provides a smoother ride, greater reliability and easier servicing with plug-and-play components.

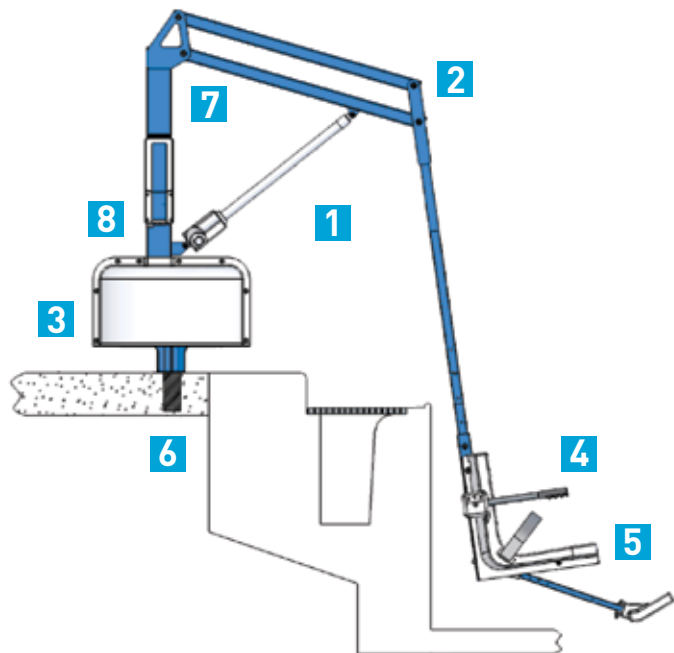




AquaTRAM 360 Lift

AquaTRAM 360 Lift: Features and Benefits

1. ADA Compliant.
2. Versatile boom arm design accommodates anchor set-back distances up to 40", clears walls up to 30" high and 10" wide, and can serve two adjoining pools from the same install location.
3. 360° unimpeded rotation in either direction allows access to and from the lift, even in small areas.
4. Dual flip-up armrests provide easier access and safer transfers on the pool deck and in the water.
5. Comfortable seat has an adjustable lap belt with hook-and-loop fasteners, plus an adjustable and removable footrest. Simple 4-button controller lets the user raise and lower the chair while seated.
6. Removes without tools, and moves easily with the optional transport cart. Multiple anchors can be installed in various locations around the pool to accommodate the pool's scheduled activities.
7. Stainless steel construction with corrosion-resistant powder-coat finish.
8. Rechargeable battery-powered operation is easier to install than water-powered lifts; provides a smoother ride, greater reliability and easier servicing with plug-and-play components.



AQUATRAM®

ADA COMPLIANT POOL ACCESS LIFTS

Choose the AquaTram Lift that Rises to Your Needs

Vital Features	AquaTRAM 360 Lift with in-deck tool-free anchoring	AquaTRAM Lift with in-deck tool-free anchoring	AquaTRAM LT Lift with lag-bolt anchoring
Lifting capacity	500 lbs.	400 lbs.	300 lbs.
ADA Compliant	✓	✓	✓
360° rotation in either direction for tight-area access	✓		
Boom arm design adapts to the most demanding and specialized applications; superb reach and wall clearance	✓		
Can serve 2 adjoining pools with 1 lift	✓		
Low profile design uses minimal deck space		✓	✓
22" wide seat standard	✓		
Compact and lightweight, fits through most doorways		✓	✓
Secure in-deck anchoring with patented design; tool-free removal; portable with optional Transport Cart	✓	✓	
Lag bolt anchoring, quick removal with tools; portable with optional Transport Cart			✓
Dual flip-up armrests for easier access and safer transfers	✓	✓	✓
Adjustable & removable footrest fits users across a wide range of sizes	✓	✓	✓
Adjustable lap belt with hook & eye fastening	✓	✓	✓
Easy-to-use Slim Line controls can be operated from seat	✓	✓	✓
Stainless steel construction, durable powder-coat finish	✓	✓	✓
Battery-operated; easier to install & smoother transport than water power	✓	✓	✓
Slim, one-piece 24v rechargeable battery	✓	✓	✓
Submersible remote	✓	✓	✓
5-year Limited Warranty (pro-rated after Year 2 on electronics)	✓	✓	
Lifetime Limited Warranty on frame	✓	✓	
2-year Limited Warranty			✓

AquaTRAM 360 Lift and Accessories	
Pentair P/N	Description
11250	AquaTRAM 360 Lift w/ Anchor
11250-A	AquaTRAM 360 Lift without Anchor
11252	AquaTRAM 360 Anchor Kit w/ Cap
11257	AquaTRAM 360 Protective Cover
11254	AquaTRAM 360 Adjustable Headrest
11253	AquaTRAM 360 Transport Cart
11255	AquaTRAM 360 Sling Arm Option (500# Capacity)
11256-C	AquaTRAM 360 Replacement Sling Chain Set
11256	AquaTRAM 360 Replacement Sling (500# Capacity)
11256-B	AquaTRAM 360 Replacement Sling Bars
11258	AquaTRAM 360 Gurney Option
11260	AquaTRAM 360 Spine Board Option
11261	AquaTRAM 360 Head Immobilizer for Spine Board
11274	AquaTRAM 360 Replacement Hand Control, 4-Button
11275	AquaTRAM 360 Replacement Control Box
11276	AquaTRAM 360 Replacement Actuator
11259	AquaTRAM 360 Wheelchair Option 22" Chair included

AquaTRAM LT Lift and Anchor	
Pentair P/N	Description
11230	AquaTRAM LT Lift w/ Anchor Kit
11230-A	AquaTRAM LT Lift Less Anchor Kit
11231	AquaTRAM LT Anchor Kit only
11232	AquaTRAM LT Transport Cart
11204	AquaTRAM Protective Cover
11205	Adjustable Headrest, AquaTRAM only
11270	AquaTRAM Replacement Hand Control
11271	AquaTRAM Replacement Control Box
11273	AquaTRAM Replacement Actuator Cover

AquaTRAM Lift and Anchor	
Pentair P/N	Description
11200	AquaTRAM Lift w/ Anchor
11200-A	AquaTRAM Lift without Anchor
11201	AquaTRAM Lift w/ Anchor - Left facing
11201-A	AquaTRAM Lift without Anchor - Left facing
11202	QuickSet Dual Wedge Anchor for AquaTRAM Lift
11203	AquaTRAM Transport Cart
11272	AquaTRAM Replacement Actuator w/ Frame
11204	AquaTRAM Protective Cover
11205	Adjustable Headrest, AquaTRAM Only
11270	AquaTRAM Replacement Hand Control
11271	AquaTRAM Replacement Control Box
11273	AquaTRAM Replacement Actuator Cover

AquaTRAM Series SHARED Options & Accessories	
Pentair P/N	Description
11206	AquaTRAM Series Adjustable Chest Strap
11208	AquaTRAM Series Pull-out Legrest
11211	AquaTRAM Series Replacement Battery
11277	AquaTRAM Series Replacement Charger
11213	AquaTRAM Series Replacement Footrest
11207	AquaTRAM Series Cycle Attachment
11214	AquaTRAM Series Replacement Seat w/ Arms
11215	AquaTRAM Series Replacement Seat Belt



1620 HAWKINS AVE, SANFORD, NC 27330 800.831.7133 WWW.PENTAIRCOMMERCIAL.COM

All Pentair trademarks and logos are owned by Pentair, Inc. Pentair Commercial Aquatics™, and AquaTRAM® are trademarks and/or registered trademarks of Pentair Water Pool and Spa, Inc. and/or its affiliated companies in the United States and/ or other countries. Because we are continuously improving our products and services, Pentair reserves the right to change specifications without prior notice. Pentair is an equal opportunity employer.

2/13 Part # P1-125 ©2013 Pentair Aquatic Systems. All rights reserved.

