

# ST CHARGER LINE

## Industrial Truck Battery-Charger



### FEATURES



- Ferro-resonant technology
- Lightweight and portable
- Automatic Start/Stop control
- Multi-color LED output power-indicator
- AC cord & 9 ft. DC cables with connector
- 46-266 Control

### APPLICATION

The ST Charger line is designed to recharge a battery of matched size, in 16 hours. It is designed for applications where the battery is discharged to 80% depth, and is used for a single daily-shift, or for batteries that are only periodically used. This charger affords the customer with a highly reliable means to maintain his battery, at an affordable price. Light weight and portable, the ST can be easily moved from place to place in your facility.

### DESCRIPTION

The ST charger is highly reliable and rugged. It is constructed of 18 and 16 gauge steel. The output is protected by a DC fuse, and connects to the battery via a 9 foot cable. A 50 or 175 amp SB type connector is attached to the end of the cable. The automatic charge control has an On/Off/Equalize switch. There are three LED indicators; Status, Charge, and Equalize. Output current is displayed by means of the status LED changing color. Red = Start of Charge, Yellow = Low Charge, Green = Battery Ready.

### OPERATION

When a battery of matched size is connected to the charger, it will start automatically and the On LED will light. If the switch is placed in the Equalize position, the charge cycle will have an additional 3 hours of time added to it, and the Equalize LED will also be lit. If the charge cycle extends beyond 20 hours, the charger will shut off, and the Fault LED will light. The charge cycle may be interrupted at any time by pressing the STOP button.

### AC CONNECTION

Chargers that are designed for 120 volts ac and draw 15 amps or less will be shipped with a standard 15-amp plug cord set. On 120 volt ac chargers drawing more than 15 amps and less than 30, they will be shipped with a 30 amp twist-lock type plug. If the charger is designed for 240 volts ac, it will be shipped with a standard 20 amp 240-volt ac cord set.

## CONTROLS



### 46-266 Control

- Auto start/stop dv/dt-di/dt
- High DC voltage shutoff
- Hot battery shutdown
- Jumpstart for dead battery
- Mismatched battery rejection
- Zero DC current shutdown

## MODELS

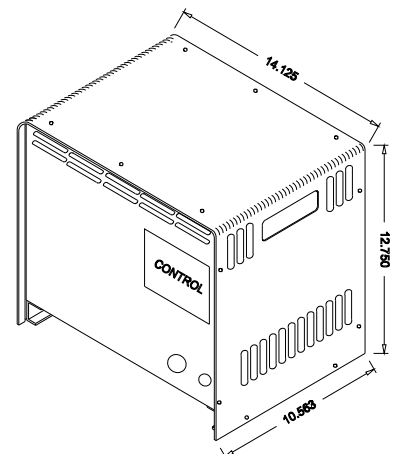
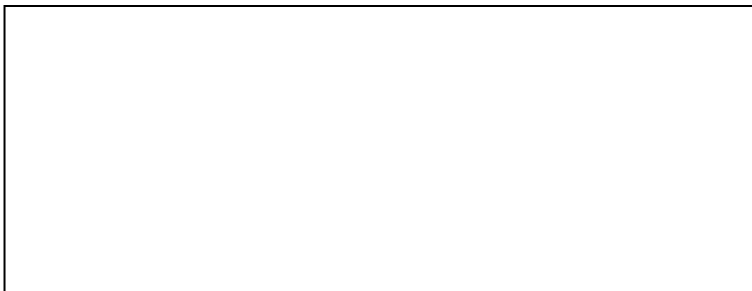
Cell	Amp hr. Rating	Range	SINGLE PHASE					
			Model	DC Amp Output	AC Input Amps		Case	
					120	240	480	
6	360	0-360	<b>ST6-360*</b>	24	3.4			137
6	520	361-520	<b>ST6-520*</b>	35	5	2.5		137
6	760	521-760	<b>ST6-760*</b>	51	7.2	3.6		137
6	950	761-950	<b>ST6-950*</b>	63	8.8	4.4		137
12	360	0-360	<b>ST12-360*</b>	24	6.8	3.4		137
12	520	361-520	<b>ST12-520*</b>	35	9.8	4.9		137
12	760	521-760	<b>ST12-760*</b>	51	14.2	7.1		137
12	950	761-950	<b>ST12-950*</b>	63	17.6	8.8		137
18	360	0-360	<b>ST18-360*</b>	24	10	5	2.5	137
18	520	361-520	<b>ST18-520*</b>	35	15.2	7.4	3.7	137
18	760	521-760	<b>ST18-760*</b>	51	21.4	10.7	5.4	137
18	950	761-950	<b>ST18-950*</b>	63	26.4	13.2	6.6	137
24	360	0-360	<b>ST24-360*</b>	24	13.4	6.7	3.4	137
24	520	361-520	<b>ST24-520*</b>	35	22.6	11.3	5	137
24	760	521-760	<b>ST24-760*</b>	51	28.6	14.3	7.1	137

\* Requires 60Hz Voltage Code

C= 120

D= 240

E= 480



**137 Case Dimensions**