

POWERMAX I260



- Maximum Power Output
- 3.0 kW Across Full kV Range
- 120 kV, 15 – 60 mA
- High Frequency - Power Factor Correction
- Universal Input Voltage
- Microprocessor Control
- CR/DR Compatible
- Light Weight
- Designed for Reliability
- Durable Powder Coat Finish
- Limited 3 year warranty



PowerMax I260 Provides maximum power, state of the art technology, system reliability and low maintenance, all in a small footprint, lightweight package.

The **PowerMax I260** was designed with agility in mind. Its compact, lightweight construction makes it easy for the operator to move the system effortlessly. Delivering maximum mR/mAs, the PowerMax I260 produces 3kW of power across the entire kV range. With its constant 3kW output, the **PowerMax I260** provides hospital quality imaging and offers an easy upgrade path for clinical sites transitioning to Digital Imaging.

The **PowerMax I260** provides the power required to compensate for the slower operating speeds of CR Systems, and is the ideal **High Power portable x-ray system** for organizations considering the purchase of CR Systems, or upgrading to DR.

The **PowerMax I260** is suitable for use in Hospitals, Urgent Care Facilities, Medical Examiner Offices, Nursing Homes, Home Healthcare, Orthopedic Practices, Sports Medicine, Correctional Facilities, and Military Field Deployable Applications. See why Source-Ray continues to set the Standard for **Quality Portable Imaging Solutions**.

Source-Ray, Inc.

POWERMAX 1260

ELECTRICAL SPECIFICATIONS

Generator
 Power High frequency resonant inverter
 Input Voltage 3.0 kW across full range
 kVp Range 110 - 230 VAC 50/60 Hz
 40 – 120 kVp, adjustable in 1 kV
 increments - Closed loop regulation
 Power Factor Correction

mA Range Adjustable, 15 mA - 60 mA -
 closed loop regulation

mAs Range 0.125 - 200

Exposure Time 0.01 – 3.33 seconds

Indicators Digital display of kVp, mAs and
 Exposure Time X-Ray, Ready,
 mA Station and Fault indicators.

Filtration 4.3 mm al minimum @ 120kVp

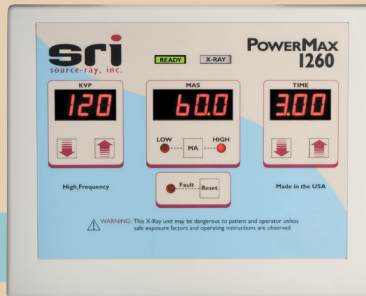
Exposure Switch Detachable two-position

X-Ray Tube Stationary Anode 130 kVp
 Target Material Tungsten
 Anode Capacity 45,000 HU Storage
 Focal Spot 1.2 mm
 Target Angle 15°

Collimator Collimare CP-100-24-C
 Laser Crosshairs
 Center Locator
 Tape Measure
 SID Measurement
 Inclinator
 Angle Measurement

Model SR-1260
Travel Stand
 Min. F/S to Floor 13" / 33 cm
 Max. F/S to Floor 78" / 198 cm
 Hor. Ext. of F/S 21" / 53 cm
 Hor. Rotation 200°
 Tube Rotation 270°

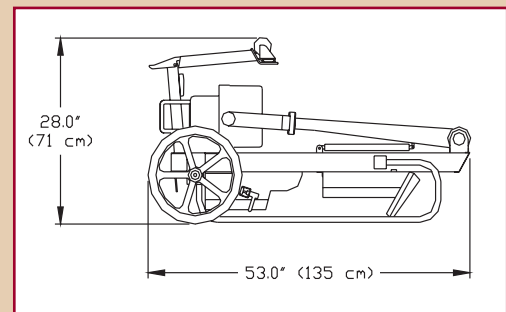
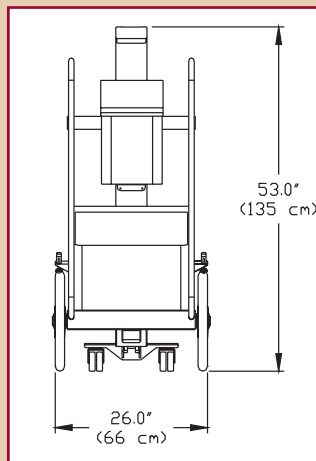
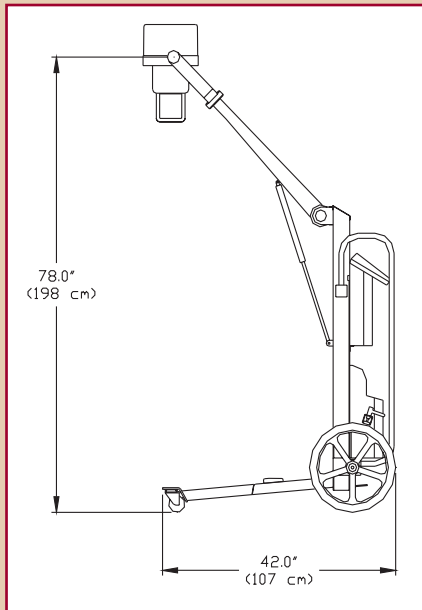
System Weight 110 lbs. / 50 kG



Complies with CFR 21 subchapter J



DIAGRAMS



Specifications are subject to change without notice.

ISO 9001-2008 Certified.

Source-Ray, Inc. • 50 Fleetwood Court • Ronkonkoma, NY 11779
 (631) 244-8200 • Email: x_raysales@sourceray.com • fax (631) 244-7464