



DiamaPro[®]
SYSTEMS

OWNER'S MANUAL

SVX2-M

INDUSTRIAL VACUUM



USER & MAINTENANCE BOOK

SAVE THESE INSTRUCTIONS FOR FUTURE REFERENCE



WARRANTY REGISTRATION CARD

Form must be completed and submitted within 30 days from the date of purchase.

Customer Information

First and Last Name

Company Name

Address

City

State

Zip Code

Phone Number

Email

Machine Information

Machine Type

Machine Model

Serial #

Purchase Date (dd/mm/yy)

Diamapro® Systems
3343 Peachtree Road NE
Suite 145 #24
Atlanta, GA 30326

1. INTRODUCTION

This user and maintenance manual will set out the guidelines and procedures that must be followed by those operating this equipment in order to guarantee:

- Operators' safety
- Correct use of the machine
- Optimum performance



IT IS NECESSARY THAT THE AUTHORIZED PERSONNEL AND MACHINE OPERATOR HAVE READ AND UNDERSTOOD THE MANUAL BEFORE USING THE MACHINE.

Due to the importance of this information, we recommend that the operator:

- Always keeps this manual close at hand for easy consultation
- Keeps the manual in a safe place in order to prevent loss or damage
- Asks the manufacturer/supplier for a replacement copy in case of loss or damage
- Supplies this manual and the manufacturer's details together with the machine if it is sold to a third party

The manufacturer reserves the right to update its products and manuals and is not required to provide updated versions of the them.

2. WARRANTY

DiamoPro SVX model vacuums are warranted to be free from manufacturing defects in normal service for a period of one or two years from the date of purchase by the original consumer purchaser. Component manufacturers offer separate warranty periods. Call 800-622-2048 for complete information.

DiamoPro System's obligation under this warranty is expressly limited to the replacement of such part or parts as inspection shall disclose to have been defective.

This warranty does not apply to defects caused by damage, unreasonable use, faulty repairs made by others or defects caused by failure to provide reasonable maintenance.

Further, the warranty is void if the product, or any of its components, is altered or modified by the consumer or if the product is used in an inappropriate manner or with equipment not recommended by the manufacturer.

Wear items are not covered under warranty: examples include: belts, wheels, casters, bearings, cart wheels, filters, wear pads, spark plugs, hoses, wands and squeegees, motors, etc.

To qualify for warranty coverage, DiamaPro SVX vacuums must be registered within 30 days of purchase. Registration can be completed online at www.DiamaProSystems.com

To request your warranty service you MUST send a written request to:

*DiamaPro Systems
P.O. Box 19946
Charlotte, NC, 28219*

including the manufacturing details that can be found on a plate fitted inside your machine together with a copy of the invoice.

The warranty is invalid under the following conditions:

- Improper use of the machine or total or partial failure to comply with the contents of this manual
- Any part of the vacuum cleaner is altered or modified in any way
- Incorrect electrical installation
- If the laws in the country of use are not respected
- Inadequate maintenance
- The machine has not undergone routine maintenance as specified in this manual
- Use of spare parts that are not produced by DiamaPro or not specifically indicated for the model in use
- Partial or total failure to comply with the instructions given in this manual

3. UNINTENDED USE

- Do not use the machine for sucking up liquid material
- Do not use the machine or expose the machine to water, rain, or rain like environments
- Do not use the machine with improper extension cords or extension cords of improper length

4. MACHINE DATA

4.1 TECHNICAL DATA PLATE

Every DiamaPro machine carries a registration plate showing essential details that are necessary when contacting the supplier/manufacturer for advice, suggestions or information on spare parts. The following details are included on the plate:

- Manufacturer
- Model
- Supply voltage
- Installed rated power
- CE symbol (built in compliance with Machinery Directive 2006/42/EEC)

4.2 SAFETY DEVICE

The vacuum cleaner has been manufactured in compliance with all legal standards for the operator's safety.

- All metal components are grounded to eliminate shock or electrostatic discharge, including the flexible suction hose that is properly grounded. Also in this regard the choice of a suitable flexible suction hose allows to eliminate this risk on the hose length that goes from the use area to the vacuum cleaner.
- The brakes fitted onto the anterior pivoting casters safely fix the machine in its place of use where there may be a risk of movement due to uneven floor surfaces or other particular working conditions.



BEFORE USING THE MACHINE CHECK THAT THE MACHINE HAS NOT SUFFERED ANY SHOCKS OR DAMAGES DURING THE TRANSPORT THAT CAN AFFECT THE OPERATION OF THE ABOVE DEVICES

5. PERFORMANCE TOLERANCES

The performance of the machine may vary based upon environmental factors such as temperature, air pressure, humidity, etc.

6. SAFETY PROVISIONS

- Carefully read the instructions in this manual before starting, using, servicing or operating the vacuum cleaner
- Check that the vacuum cleaner hasn't been damaged in any way
- Never turn on the machine if it is faulty or if you suspect it is faulty
- Check that the switch isn't worn or damaged
- Do not approach the suction intake of the machine with unfastened or broken garments that could easily be sucked into the machine
- Check that the filters are present and efficient
- Make sure that the filters are installed correctly and in full working order, always observing the regulations in force in the workplace
- Do not carry out repairs without the manufacturer's authorization
- Never use gasoline, solvents or other flammable liquids for cleaning; only proper detergents should be used for cleaning
- Never move the machine by pulling the power cable or flexible hose
- Never direct the opening of the machine or the flexible tube towards people or animals
- Protect the machine from the rain
- Check that the machine is connected to a power source with the correct voltage indicated on the registration plate
- Make sure that the power cable has no wear or damage. If replacing the cable, always replace it with another of the same specifications as the original one: cables that are not approved or of inferior quality may overheat and cause serious injury to the user
- Make sure that the machine is connected to an appropriate power source in full working order (check the presence of a fully functional grounding socket)
- Repairs must only be carried out by authorized personnel and only when the machine is turned off and disconnected from the power source
- Never allow unauthorized personnel to use the machine
- Make sure that all safety devices are in full working order before turning on the machine
- Never cover the vacuum cleaner during use

7. INSTALLATION

7.1 DELIVERY AND HANDLING

All machines are carefully tested and checked by DiamoPro before delivery. The machine is transported inside a protective box or wrapped in a protective film that allows the courier to see the item during transport and is securely fixed to a pallet. If any part of the machine is not intact or has been damaged during transport, file an immediate complaint with the courier. Parts that have been damaged or broken due to incorrect transport or handling of the machine will not be recognized by the manufacturer's warranty. The machine must be lifted and moved using a forklift truck in accordance with the relevant safety regulations in force in the workplace.

7.2 CHECK THE PROPER ELECTRICAL CONNECTION

Connect the industrial plug to the power cable and connect the plug to a socket that has the same amp rating and is protected by a line-isolating switch.

8. PERIODICAL MAINTENANCE

Maintenance and cleaning operations must ALWAYS be carried out when the vacuum is turned off and disconnected from the power source. No particular measures must be taken for the maintenance, cleaning or lubrication of the suction unit. However, it is important to remember that correct use and servicing are essential if the safety and efficiency of the vacuum are to be guaranteed.

To ensure regular and constant operation and to prevent the warranty from becoming void, always use genuine DiamoPro spare parts when repairs are needed.

8.1 BEFORE TURNING ON AND TURNING OFF EVERY DAY

- Visually check that the suction hose has not been damaged in any way (it must not be damaged, torn, crushed)
- Check that the electrical switches are in full working order and are not damaged in any way
- Check that the suction hose has not been damaged in any way
- Check that the motor head is correctly positioned on the filter chamber and that the latter is correctly placed on the main barrel
- If the vacuum cleaner is moved, ensure that the power voltage of the play in this new location corresponds to the one on the technical data plate

8.2 AT EVERY 50 HOURS OF OPERATION

- Check the condition of the primary filter: it must not have tears, holes or other damage: in this case replace it (see 14.)
- Check that the technical data plate is legible and not damaged in any way: contact the manufacturer for a replacement if necessary

9. PRODUCT DISPOSAL

Dispose of the machine and any accessories according to the legislation of the state/country. To avoid affecting the environment or your health or the health of others it is recommended to separate the machine from other waste, and if necessary properly recycle it.

10. DESCRIPTION



1. SUCTION UNIT
2. ON-OFF SWITCH
3. ACCESSORIES CONNECTION
4. WHEELS WITH BRAKE
5. FILTER CLEANING LEVER
6. BAG HOLDER
7. COLLECTION BAG
8. STRAP LOCKS BAG
9. ACCESS TO THE PRIMARY FILTER
10. ACCESS TO THE SECONDARY FILTER

11. MOUNTING OF PARTS

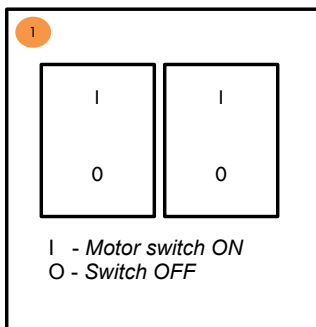


Connect one end of the flexible hose to the desired accessory and the other with the camlock mounted on the filter chamber. (See the accessories sheet)

12. USING THE VACUUM CLEANER



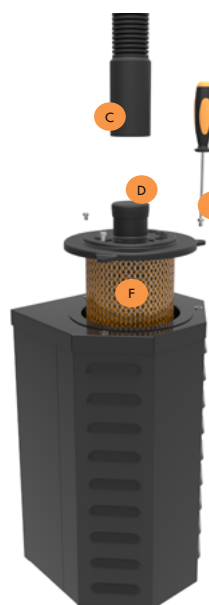
Before switching ON the vacuum be sure the container is empty



13. FILTER REPLACEMENT

PRIMARY FILTER REPLACEMENT

1. Disconnect and lift the head. (A)
2. Remove the filter (B)
3. Replace the filter with a proper one for the vacuum cleaner in use
4. Insert the new filter
5. Hang up the head (A)



SECONDARY FILTER REPLACEMENT

1. Remove the rubber sleeve (C)
2. If necessary, close the filter with a cap (D)
3. Remove the three screws (E)
4. Remove the filter (F)
5. Replace the filter with a proper one for the vacuum cleaner in use
6. Insert the new filter (F)
7. Fix the filter on the chamber with the 3 screws
8. Connect the sleeve

14. FILTER CLEANING DEVICE AND SUCTION MODE



To make cleaning effective the vacuum cleaner must be in operation

MANUAL FILTER CLEANING

Close the suction nozzle (A) and act on the lever (B) to clean the filter, with a fast movement.

If necessary, repeat the operation.



15. TROUBLESHOOTING

You can thus solve any problem that may occur.

Motors do not start.

- ▶ No electrical voltage.
- ▶ Check cables, plugs and socket.

Suction capacity decreases slowly.

- ▶ Filter, nozzle, suction hose or suction pipe may be blocked.

- ▶ Check, clean accessories. Clean filter.

Dust comes out during the vacuuming.

- ▶ Filter has not been fastened correctly or is defective.
- ▶ Check to see if filter is sitting properly; replace if required.

16. COLLECTION BAG USE

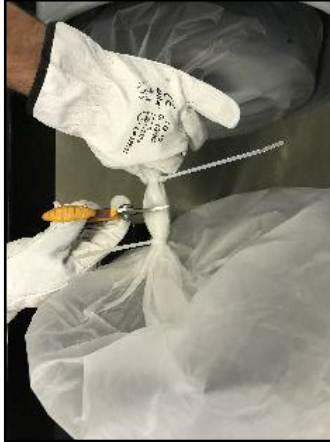
The dust and the particles are collected in a bag placed in the container under the hopper.

The Infinity Bag system consists in a plastic tubular from which are obtained 20/30 bags of different weights and dimensions. Once finished or damaged, the tubular must be replaced by a new refill.

The operations below described must be carried out when machine is turned off.



1 - Close the bag with two distanced bands.



2 - Cut the strip between the two bands.

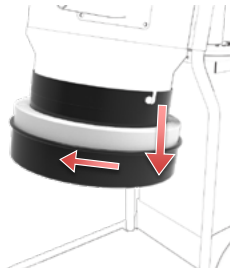


3 - Pull the Infinity Bag end to make a new bag.

17. BAG REPLACEMENT



1- Remove the belt.



2- Remove the Infinity Bag container and any waste.



3- Insert the new Infinity Bag with the inner part facing upwards.



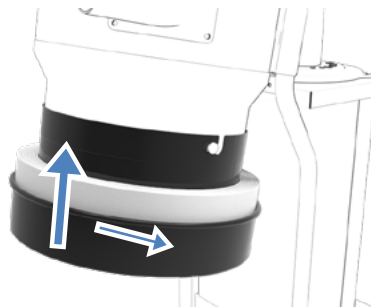
4- Cut and remove the Infinity Bag closing bands.



5- Keep the inner part of the bag outside the container and pull it slightly.



6- Pull the outer part of the bag to create the new one.



7- Insert the container with the Infinity Bag, using the pins as reference.



8- Bring the inside of the bag up to the height of the belt positioning. Close the bag around the chamber with the belt.

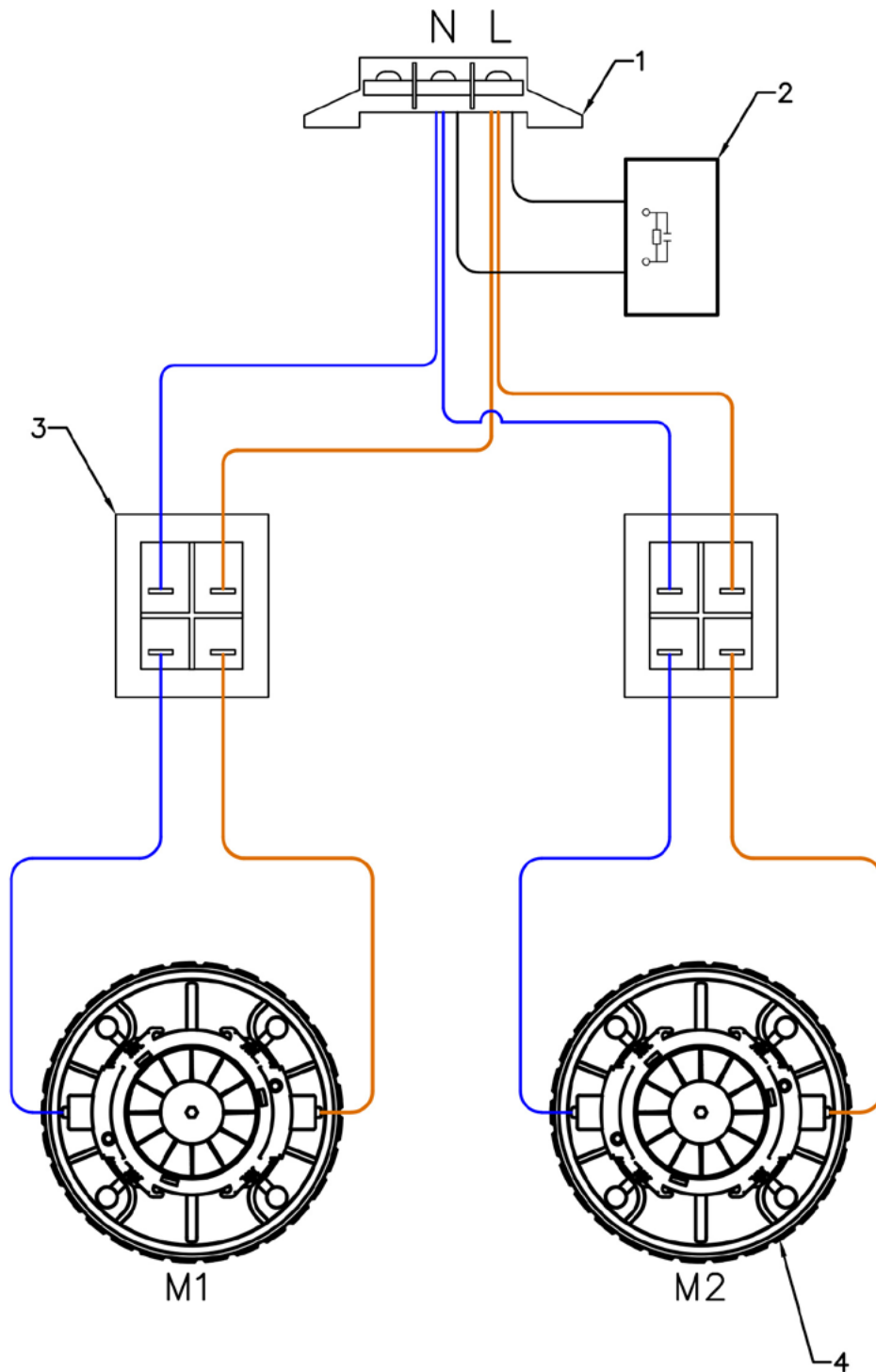


9- Pull the bag and place at the edge the band to create a new one. If necessary use two bands.

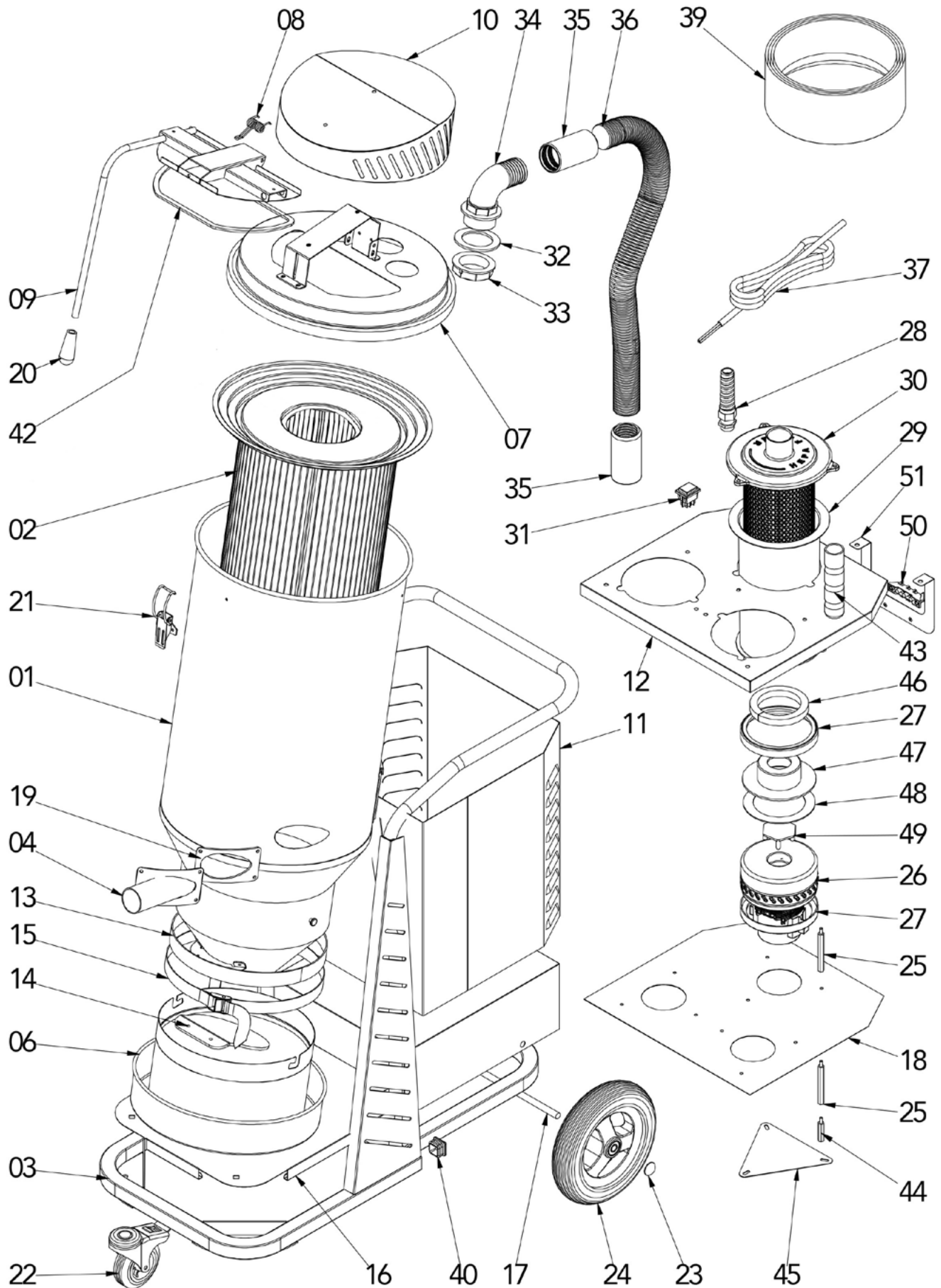
18. ELECTRIC DIAGRAM

SVX2M WIRING DIAGRAM

1. TERMINAL
2. SVX-ANTI-DISORDER
3. SVX-SWITCH-ON/OFF
4. SVX-MOTOR-110V



19. PARTS BREAKDOWN



19. PARTS BREAKDOWN

ITEM NO.	PART NUMBER	DESCRIPTION	QTY.
1	SVX-HOPPER-2M	HOPPER FOR SVX2M	1
2	SVX-2M-PREFILTER	PRE FILTER - (FOR SVX2M ONLY, 1 PER UNIT)	1
3	SVX-FRAME-2M	FRAME FOR SVX2M	1
4	SVX-INLET	INLET	1
6	SVX-INFINITY-CONT-QB	INFINITY BAG CONTAINER QUICK BLACK	1
7	SVX-BOTTOMCOVER-2M	BOTTOM COVER FOR SVX2M	1
8	SVX-DSR-FLAP-DISK	DOUBLE SPRING RETURN FLAP DISK	1
9	SVX-TOPFLAPPER	TOP FLAP AND PLUNGER	1
10	SVX-TOPCOVER-2M	TOP COVER FOR SVX2M	1
11	SVX-MOTORHOUSING-2M	MOTOR HOUSING FOR SVX2M	1
12	SVX-MOTORHOUSING-COVER-2M	COVER FOR MOTOR HOUSING SVX2M	1
13	SVX-RFS-INFINITY	RUBBER FOAM STRIP FOR INFINITY BAG	1
14	SVX-FLAP-M	FLAPPER FOR MANUAL MODELS	1
15	SVX-TSTRAP	TIGHTENING STRAP 1,5 MT	1
16	SVX-BASEFRAME-2M	BASE FRAME FOR SVX2M	1
17	SVX-AXLE	AXLE	1
18	SVX-AIRSEPARATOR-2M	AIR SEPARATOR FOR SVX2M	1
19	SVX-INLET-GASKET	INLET GASKET	1
20	SVX-KNOB	TAPERED KNOB FOR PLUNGER	1
21	SVX-HOOK-SMALL	SMALL HOOKS	3
22	SVX-CASTER-M	FRONT CASTER (FOR SVX3M & SVX2M ONLY, 2 PER UNIT)	2
23	SVX-RRING-A	RETAINING RING	2
24	SVX-TIRE	REAR WHEEL (ALL SVX MODELS)	2
25	SVX-M5X86	SPACER M5X86	12
26	SVX-MOTOR-110V	MOTOR	2
27	SVX-GASKET	GASKET L	4
28	SVX-CABLEGLAND-PG16	CABLE GLAND	1
29	SVX-FILTERCHAMBER	SECONDARY FILTER CHAMBER	2
30	SVX-M-HEPA	HEPA FILTERS (FOR SVX3M & SVX2M ONLY, 1 PER UNIT)	2
31	SVX-SWITCH-ON/OFF	16 AMP SWITCH WITH CUFFS (1 FOR AUTOMATIC UNIT / 2 FOR SVX2M / 3 FOR SVX3M)	2
32	SVX-FLATGASKET2-M	FLAT GASKET FOR MANUAL MODELS	2
33	SVX-LOCKINGRING2-M	LOCKING RING FOR MANUAL MODELS	2
34	SVX-HOSEELBOW-M	TOP COVER HOSE ELBOW FOR MANUAL MODELS	2
35	SVX-CUFF-TOPCOVER	SOFT CUFF FOR TOP COVER 1.5" MANUAL MODELS	4
36	SVX-HOSE-TOPCOVER	1.5"X3' TOP COVER HOSE	2
37	SVX-CABLE-3GX6	CABLE	10
38	SVX-CABLESTOPPER	CABLE STOPPER ALL MODELS	1
39	I-1376013	DIAMAPRO INFINITY BAG	1
40	SVX-CAP-30X30	CAP 30X30	2
42	SVX-FLAPGASKET	FLAP GASKET FOR MANUAL MODELS	1
43	SVX-BLKHANDLE-M	BLACK HANDLE FOR MANUAL MODELS	1
44	SVX-M5X40	M5X40	6
45	SVX-FANPROTECTION-2M	COOLING FAN PROTECTOR FOR SVX2M	2
46	SVX-FOAM	ADHESIVE FOAM FOR SVX2M	1
47	SVX-MVH	MOTOR VALVE HOLDER	2
48	SVX-SW-135X109X4	VAVLE HOLDER SPONGE WASHER 135X109X4	2
49	SVX-VM-BY-PASS	VALVE MOTOR BY-PASS	2
50	SVX-TERMINAL-110	RED TERMINAL BLOCK SCREW	1
51	SVX-TERMINALSUPPORT	TERMINIAL SUPPORT	1

20. ACCESSORIES



ITEM NO.	PART NUMBER	DESCRIPTION
1	SVX-WAND-2	STEEL WAND FOR FLOOR TOOL
2	SVX-FLOOR TOOL-2	WET/DRY PLASTIC FLOOR TOOL
3	SVX-BLACKHOSE-CUFF	CUFFS FOR 2" BLACK HOSE
4	SVX-HOSE-STANDARD-2-NC	2" STANDARD BLACK HOSE
5	SVX-SQUEEGEE-BLADES	BLADE SET FOR FLOOR TOOL 15-1/2 X 17-1/4
6	DP-TPLUG	T-PLUG ADAPTER 15A
7	DP-HOSECLAMP-3	3" HOSE CLAMP (57-76MM) FOR 2" HOSES
8	DP-C2530	2.5" FEMALE CAMLOCK W/ 3" SMOOTH SHANK
9	DP-C300	3" FEMALE CAMLOCK
10	DP-C3020	ALUMINUM 3" FEMALE CAMLOCK TO 2" HOSE SHANK
11	DP-C2520	2.5" FEMALE CAMLOCK W/ 2" SMOOTH SHANK
12	DP-A250	2.5" MALE CAMLOCK

Customer Acknowledgment and Assumption of Responsibility for Modification to any Product.

Customer expressly acknowledges that modification of any equipment, machines, or other products purchased from Niagara Machine, Inc. ("Niagara"), including but not limited to DiamaPro Systems Products (collectively, "Products") through the attempted or actual use or misuse, adjustment, alteration, application of additional components, removal of provided components, repairs or attempted repairs by Customer (collectively, "Modifications") can lead to Product malfunction causing serious risks. Such risks include, but are not limited to, Product damage, bodily injury, death, or loss of or damage to property. Customer agrees that Customer is solely responsible for any Modifications Customer performs on any Product purchased from Niagara, and that Niagara is not responsible and will not be held liable for any claims, damages, or injury arising from Modifications by Customer, including Customer's employees, subcontractors, agents, representatives, affiliates, and assigns, to any Product purchased from Niagara. Customer further acknowledges and agrees that any Modification(s) to a Product may, at DiamaPro Systems' and/or Niagara's election, void any warranty applicable to the Product.

Customer agrees that, to the greatest extent permitted by law, Customer shall indemnify, hold harmless and, at Niagara's request, defend (with counsel reasonably approved by Niagara), Niagara, Niagara's parent, subsidiaries, affiliates and the officers, directors, employees and agents of Niagara (individually and collectively "Niagara Indemnitees") from and against, and pay or reimburse them for any and all third-party claims, losses, damages, liabilities, lawsuits and expenses (including reasonable attorneys' fees) relating to bodily injury, death, or loss of or damage to property caused by or arising from any Modification to a Product by Customer, its employees, subcontractors, agents, representatives, affiliates, and assigns (individually and collectively, "Customer Group"), with respect to the Products Customer purchases from Niagara.

Customer acknowledges that Customer has read and understands these terms, and voluntarily assumes full and sole responsibility for any and all effects arising from any Modification to a Product by Customer Group.



DiamaPro®

SYSTEMS

DiamaPro® Systems
3343 Peachtree Road NE
Suite 145 #24
Atlanta, GA 30326
470-977-2323