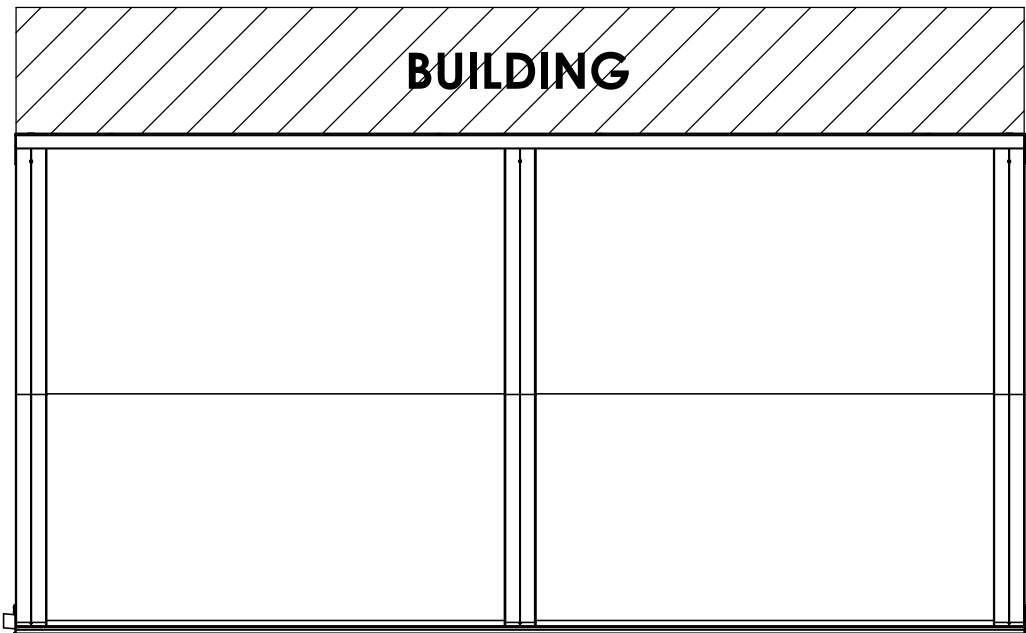
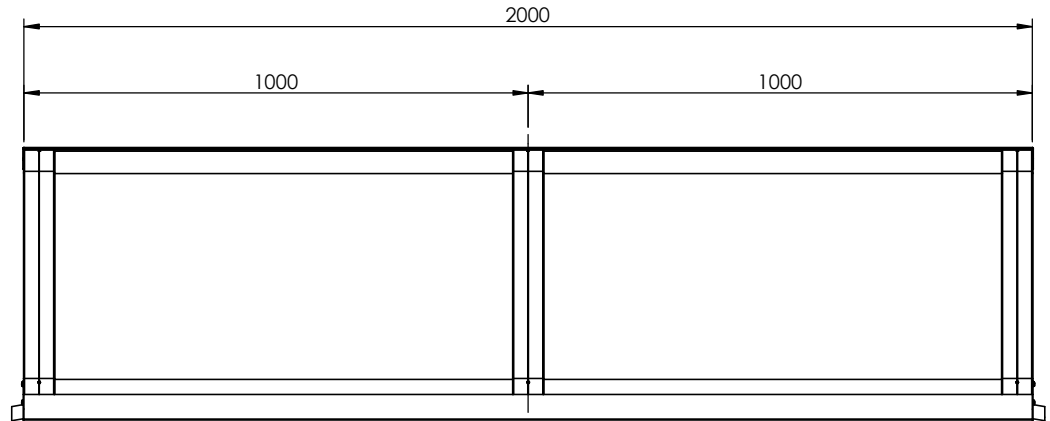


**FRONT VIEW & ROOF TOP VIEW WITH BUILDING**

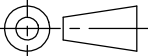


Originator :  
**Able Canopies Ltd**



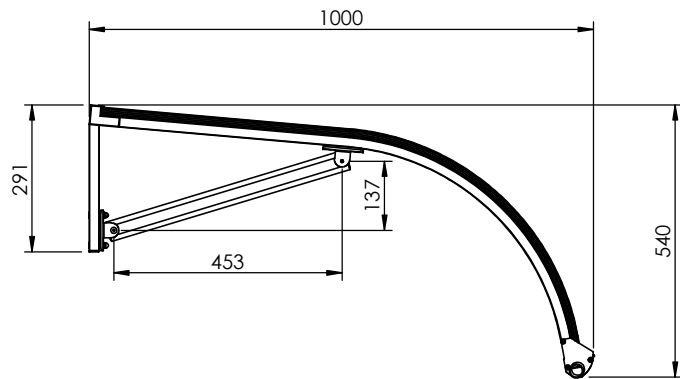
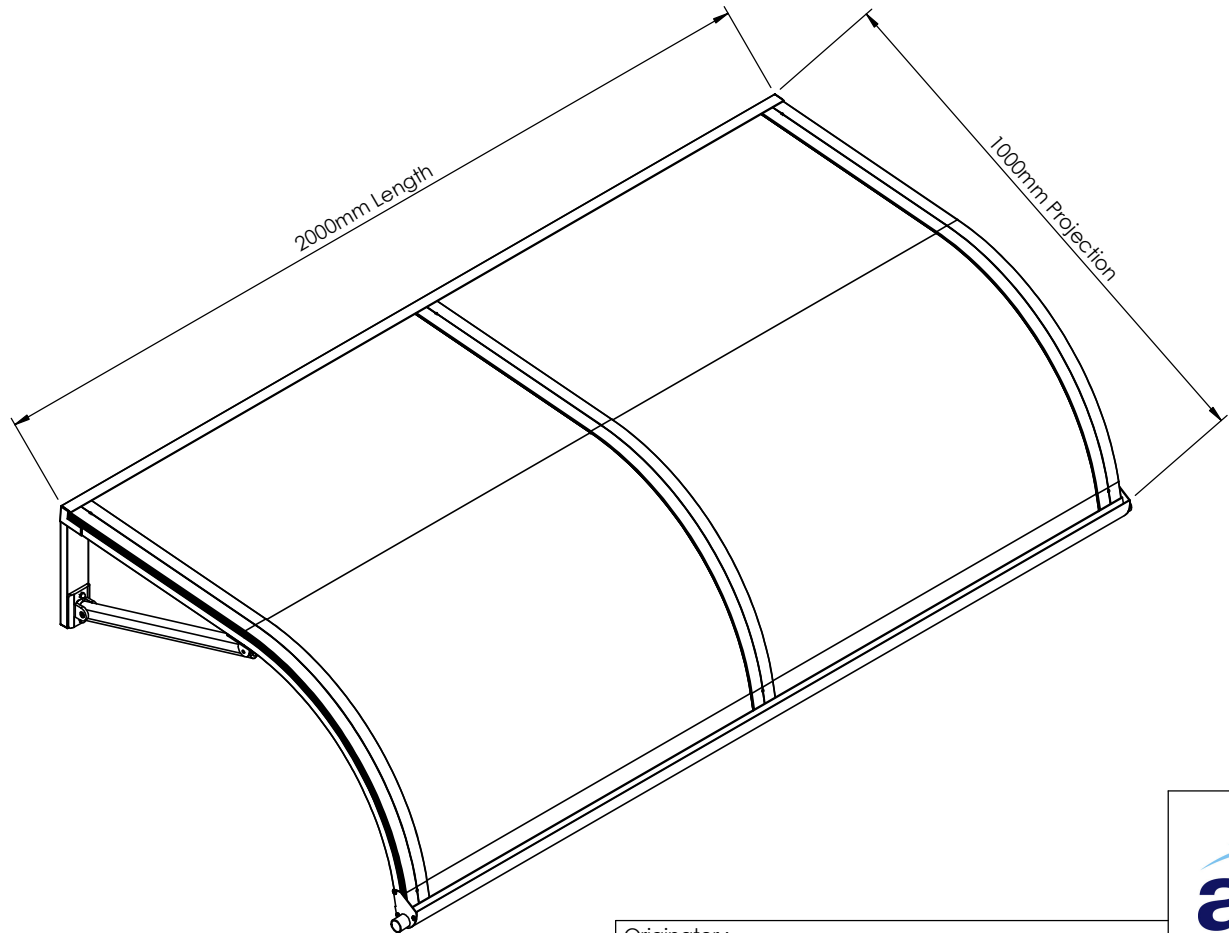
Drawing Title :  
 The Redford

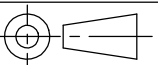
Product Name :  
 The Redford Wallmounted

 3rd Angle Projection	Page	Date	Page Size	Scale	Drawn
	3 OF 5	03/02/15	A4 (L)	NTS	SHYAM

This drawing and the product it displays is the sole property of Able Canopies Ltd. Any reproduction of the drawing or product without the written permission of Able Canopies Ltd is prohibited.	Finish	Issuer	(Tol) +/-	Sequence	Revision
	PPC	ACS	1 mm	000001	V1.0

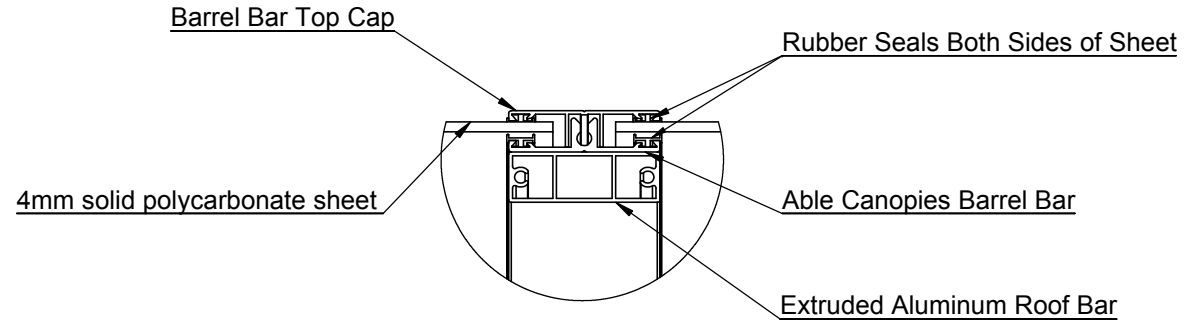
**CROSS SECTION VIEW & ISOMETRIC VIEW**



Originator : <b>Able Canopies Ltd</b>					
Drawing Title : The Redford					
Product Name : The Redford Wallmounted					
 3rd Angle Projection	Page	Date	Page Size	Scale	Drawn
	4 OF 5	03/02/15	A4 (L)	NTS	SHYAM
<small>This drawing and the product it displays is the sole property of Able Canopies Ltd. Any reproduction of the drawing or product without the written permission of Able Canopies Ltd is prohibited.</small>	Finish	Issuer	(Tol) +/-	Sequence	Revision
	PPC	ACS	1 mm	000001	V1.0

**PRODUCT DETAIL**

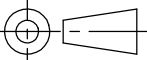
**Glazing Bar Detail**



Originator :  
**Able Canopies Ltd**

Drawing Title :  
The Redford

Product Name :  
The Redford Wallmounted

 3rd Angle Projection	Page	Date	Page Size	Scale	Drawn
	5 OF 5	03/02/15	A4 (L)	NTS	SHYAM

This drawing and the product it displays is the sole property of Able Canopies Ltd. Any reproduction of the drawing or product without the written permission of Able Canopies Ltd is prohibited.	Finish	Issuer	(Tol) +/-	Sequence	Revision
	PPC	ACS	1 mm	000001	V1.0