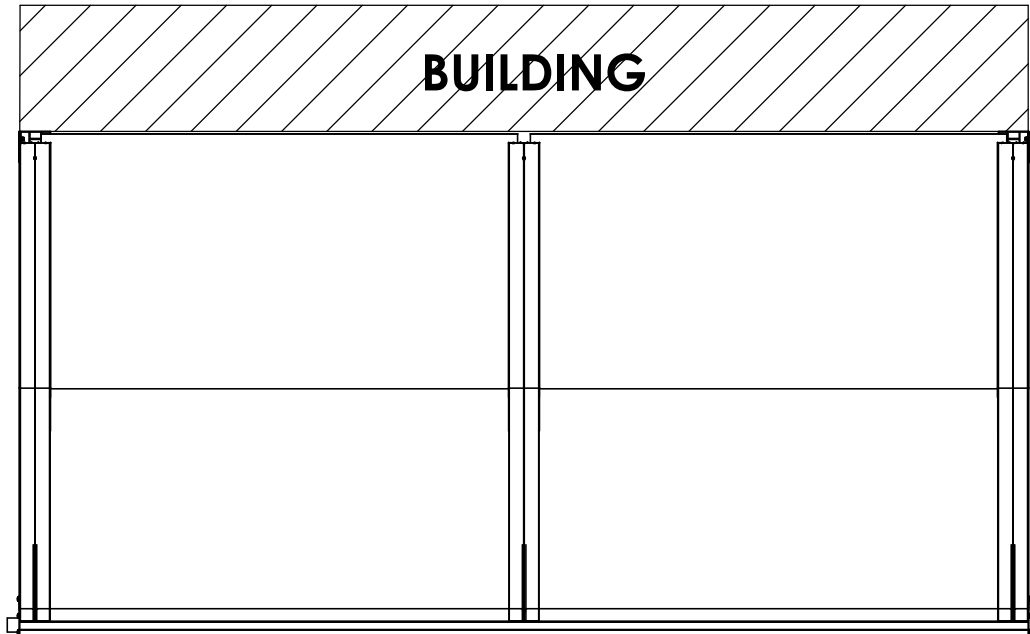
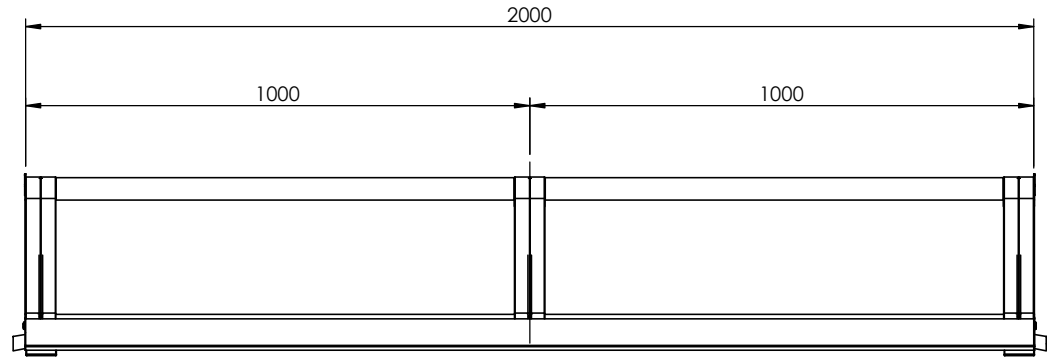


FRONT VIEW & ROOF TOP VIEW WITH BUILDING

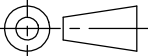


Originator :
Able Canopies Ltd



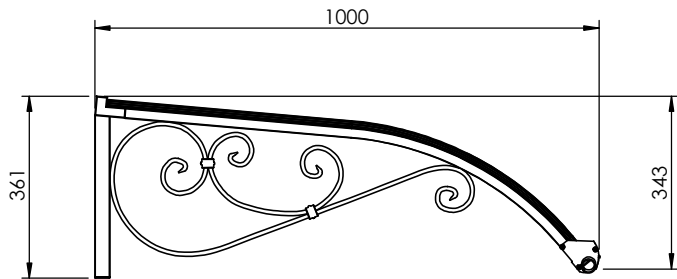
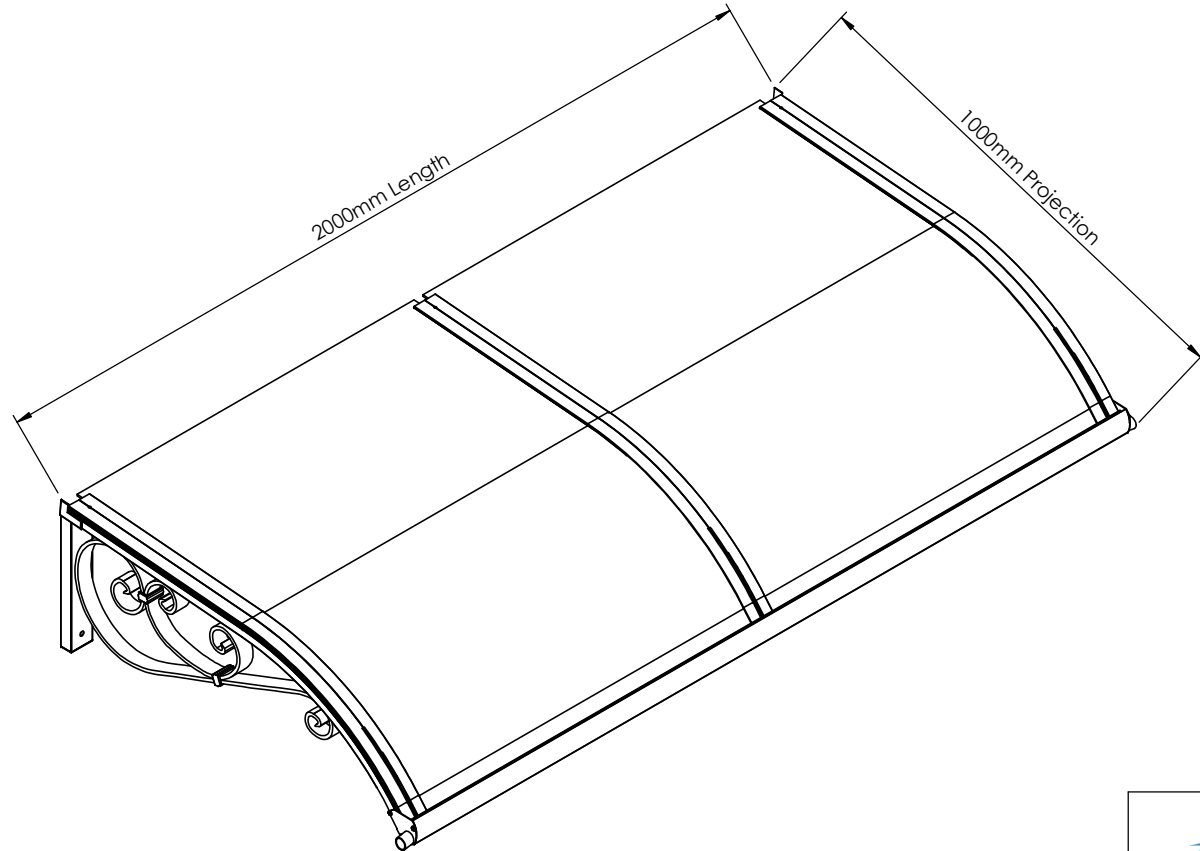
Drawing Title :
 The Earlswood

Product Name :
 The Earlswood Wallmounted

 3rd Angle Projection	Page	Date	Page Size	Scale	Drawn
	3 OF 5	03/02/15	A4 (L)	NTS	SHYAM

This drawing and the product it displays is the sole property of Able Canopies Ltd. Any reproduction of the drawing or product without the written permission of Able Canopies Ltd is prohibited.	Finish	Issuer	(Tol) +/-	Sequence	Revision
	PPC	ACS	1 mm	000001	V1.0

CROSS SECTION VIEW & ISOMETRIC VIEW



Originator :

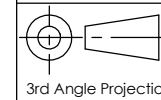
Able Canopies Ltd

Drawing Title :

The Earlswood

Product Name :

The Earlswood Wallmounted



Page
4 OF 5

Date
03/02/15

Page Size
A4 (L)

Scale
NTS

Drawn
SHYAM

This drawing and the product it displays is the sole property of Able Canopies Ltd. Any reproduction of the drawing or product without the written permission of Able Canopies Ltd is prohibited.

Finish
PPC

Issuer
ACS

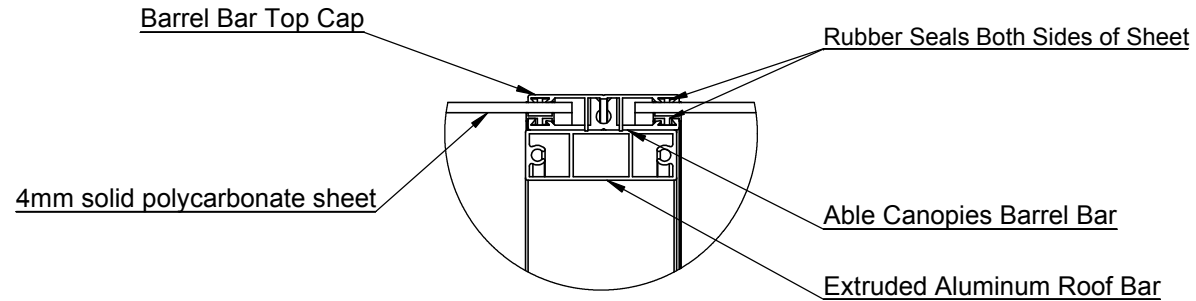
(Tol)
+/-
1 mm

Sequence
000001

Revision
V1.0

PRODUCT DETAIL

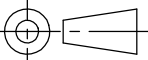
Glazing Bar Detail



Originator :
Able Canopies Ltd

Drawing Title :
 The Earlswood

Product Name :
 The Earlswood Wallmounted

 3rd Angle Projection	Page	Date	Page Size	Scale	Drawn
	5 OF 5	03/02/15	A4 (L)	NTS	SHYAM

This drawing and the product it displays is the sole property of Able Canopies Ltd. Any reproduction of the drawing or product without the written permission of Able Canopies Ltd is prohibited.	Finish	Issuer	(Tol) +/-	Sequence	Revision
	PPC	ACS	1 mm	000001	V1.0