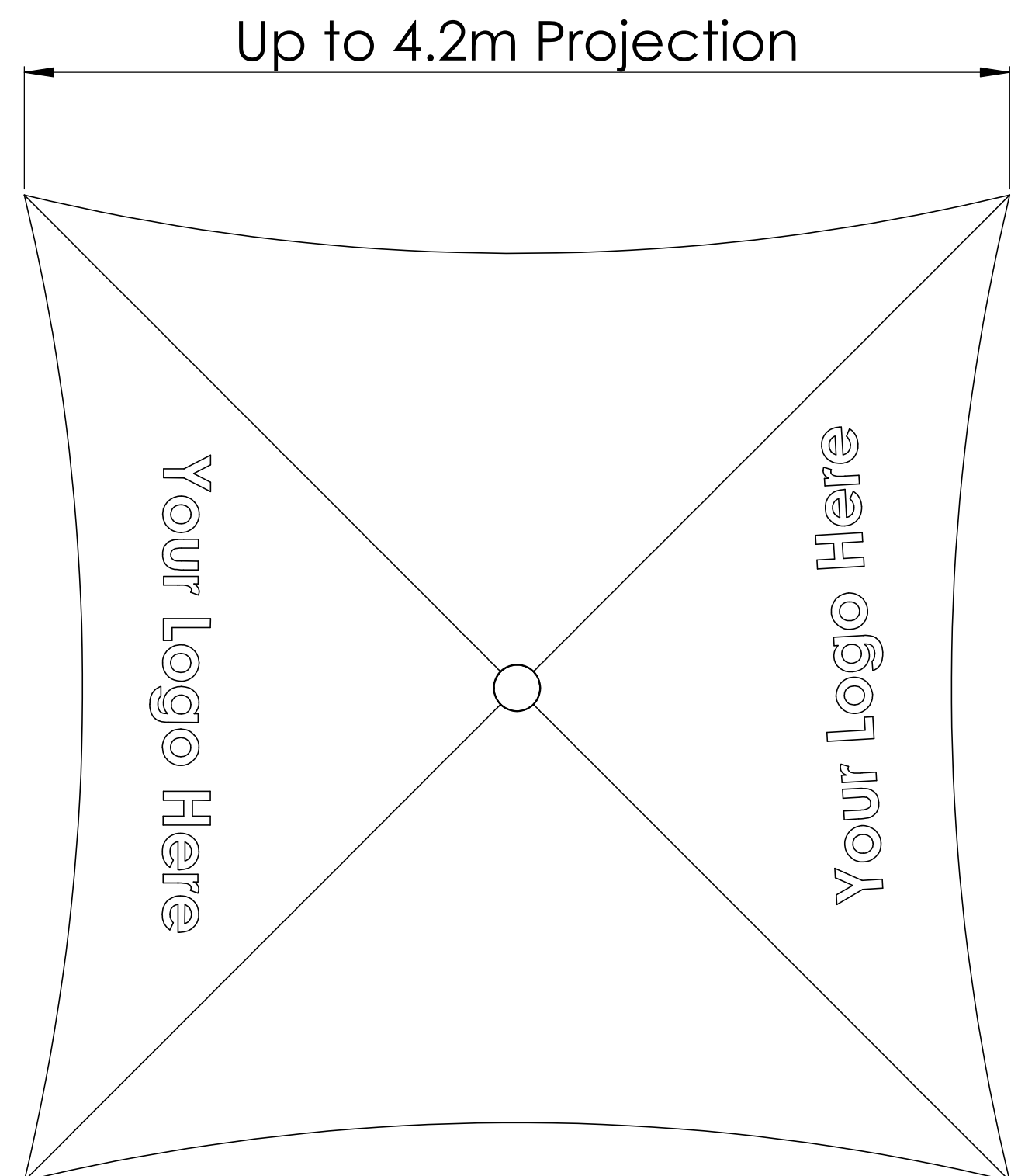
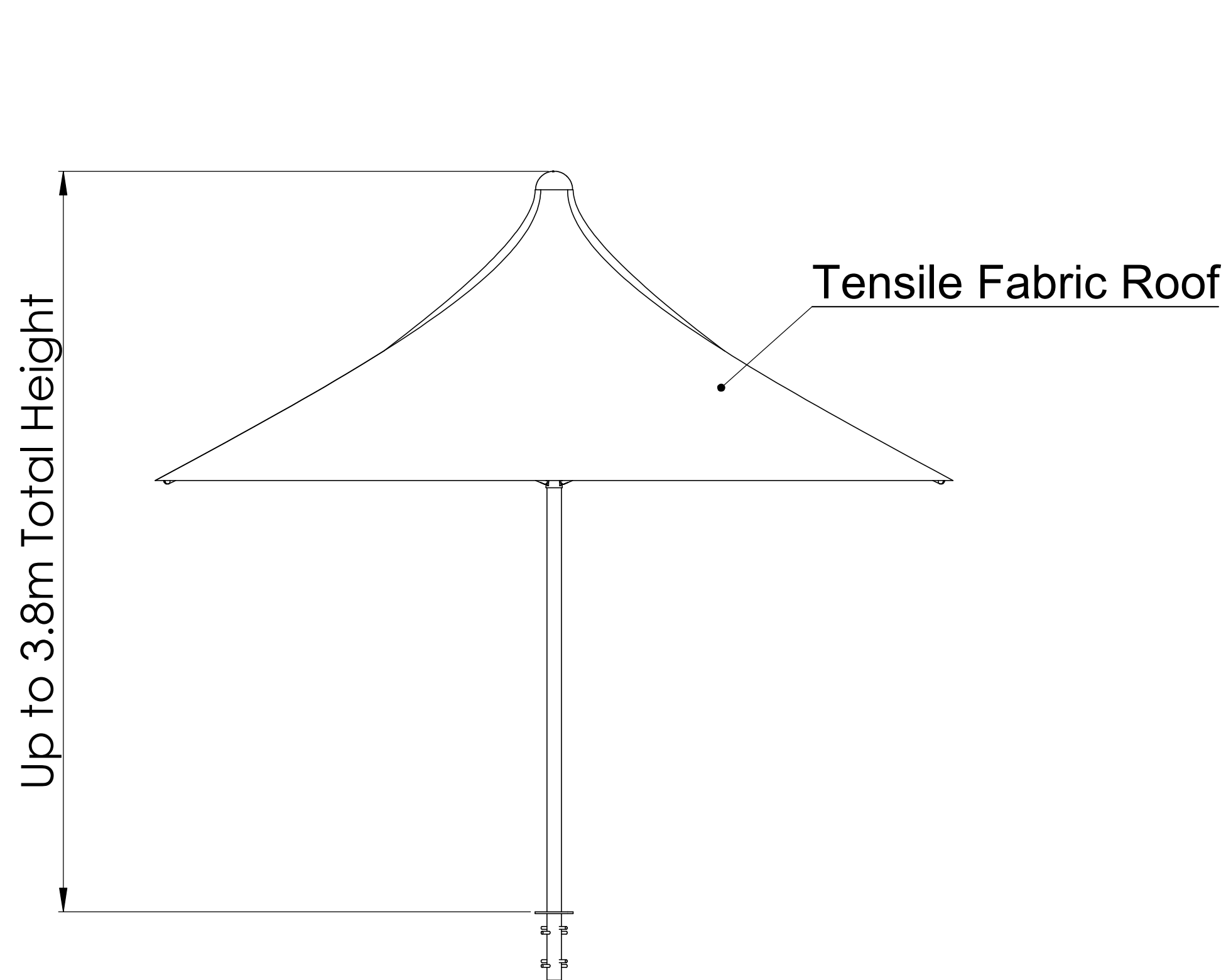


# Able Canopies

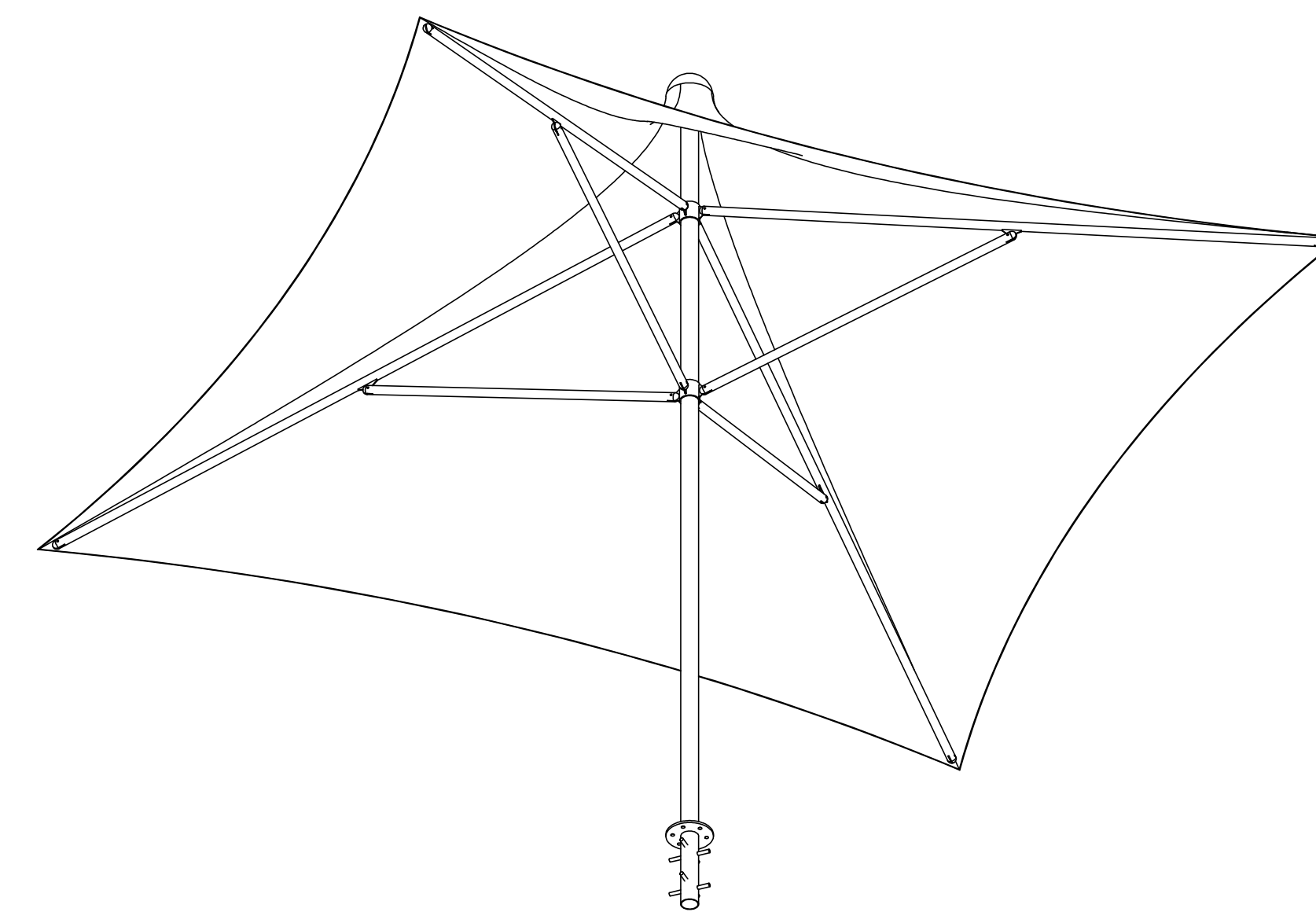
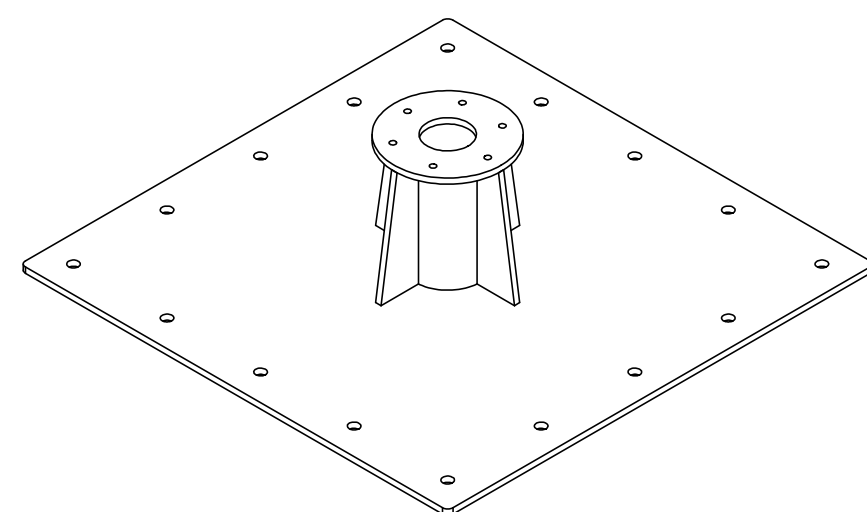
## Blenheim Umbrella



## Pricing Options

Champagne	Vanilla	Hemp	Aniseed	Olive	Moss Green	Black
Sandy Beige	Pepper	Camel	Porcelain Green	Tennis Green	Spruce	White
Cocoa	Teak	Walnut Stain	Celadon	Steel Blue	Lagoon	Boulder
Lemon	Buttercup	Dijon	Dark Blue	Thistle Blue	Celestial Blue	Concrete
Orange	Carrot	Raspberry	Victoria Blue	Midnight Blue	Marine	
Poppy	Terracotta	Burgundy	Velvet Red (metallic)	Autumn (metallic)	Aluminium (metallic)	

### Ground Fixing Also Available



### Material List & Component Information

- 1, Main frame is made from 316 marine grade 76mm stainless steel tubing with a 3mm wall thickness.
- 2, Main Ribs are made from 42mm x 1.6mm stainless steel and Supporting Ribs are 38mm x 1.5mm stainless steel.
- 3, The base for the Blenheim Umbrella comes in 2 varieties shown above, bespoke ground fixings are also available.
- 4, Waterproof tensile fabric roof is clamped in place using stainless steel corner plates. The waterproof tensile fabric roof is available in 40 colours.
- 5, Printing Option available with your logo or other message printed on the fabric for increased visibility.

Please note: This is a standardised product data sheet and is subject to change depending on individual cases or site specific surveys.

Originator:  
**Able Canopies Ltd**



Drawing Title: Standard Blenheim Umbrella

Product: Blenheim Umbrella

3rd Angle Projection	Page	Date	Page Size	Scale	Drawn
	1 of 1	08-04-17	A1 (L)	N/A	SK

Finish	Issuer	(Tol)	Sequence	Revision
N/A	ACS	+/- 1 mm	000001	v1.3

This drawing and the product it displays is the sole property of Able Canopies Ltd any reproduction of this drawing or product without the written permission of Able Canopies Ltd is prohibited.