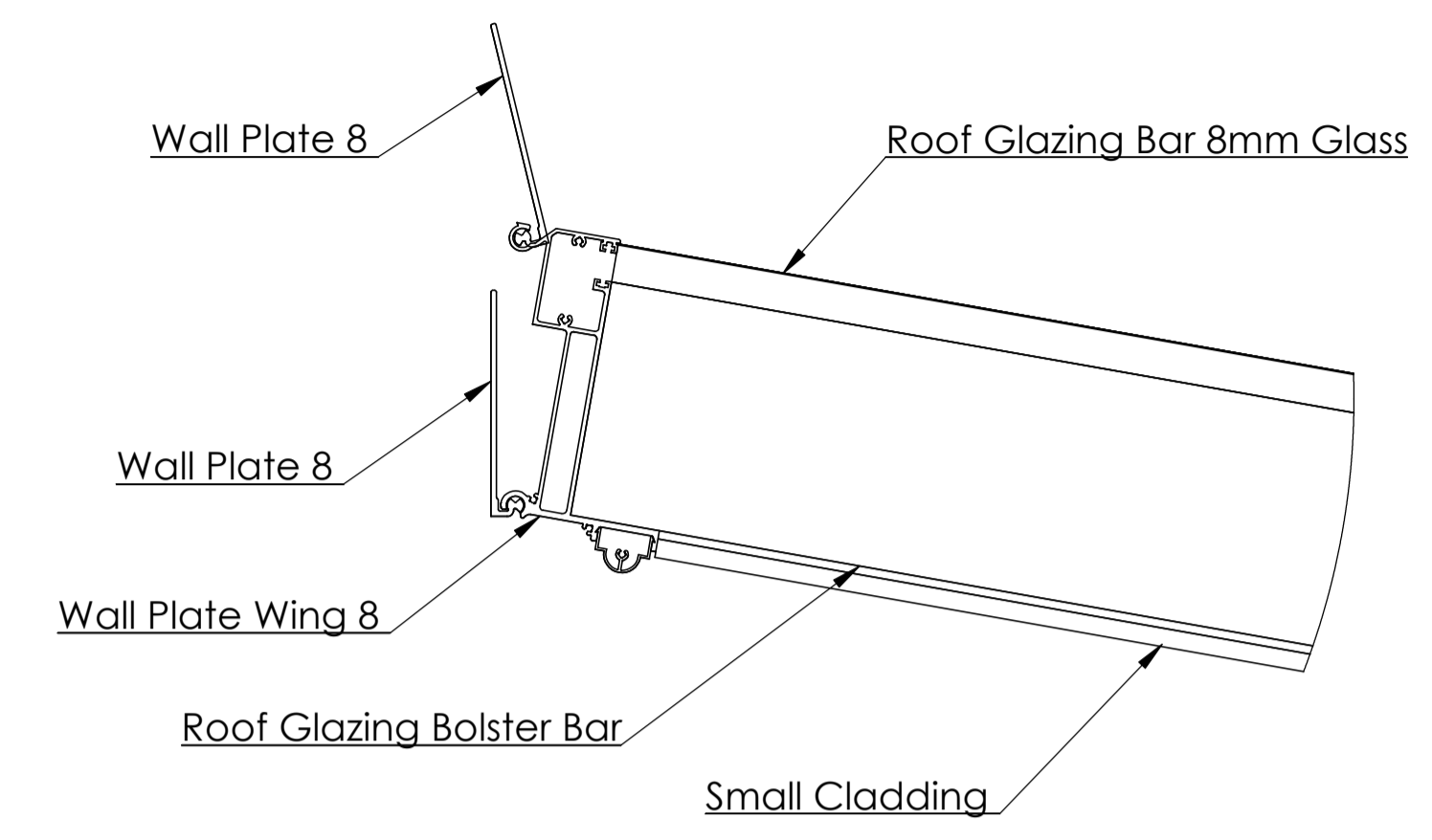
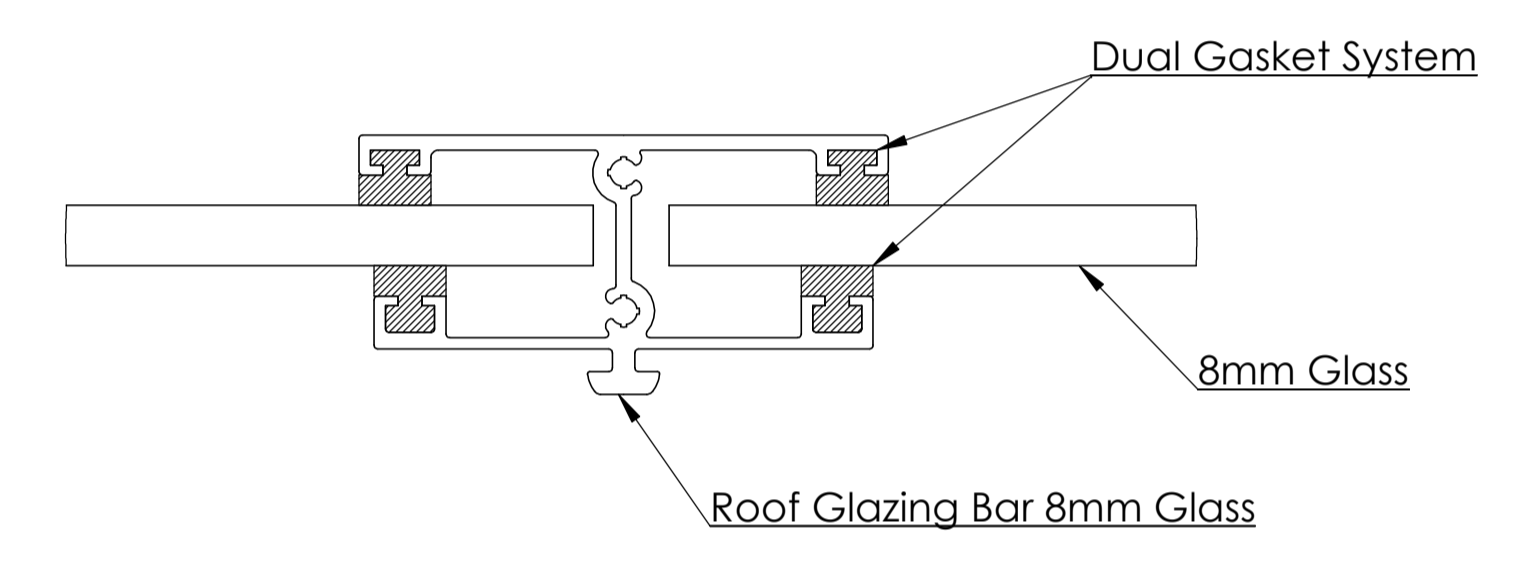


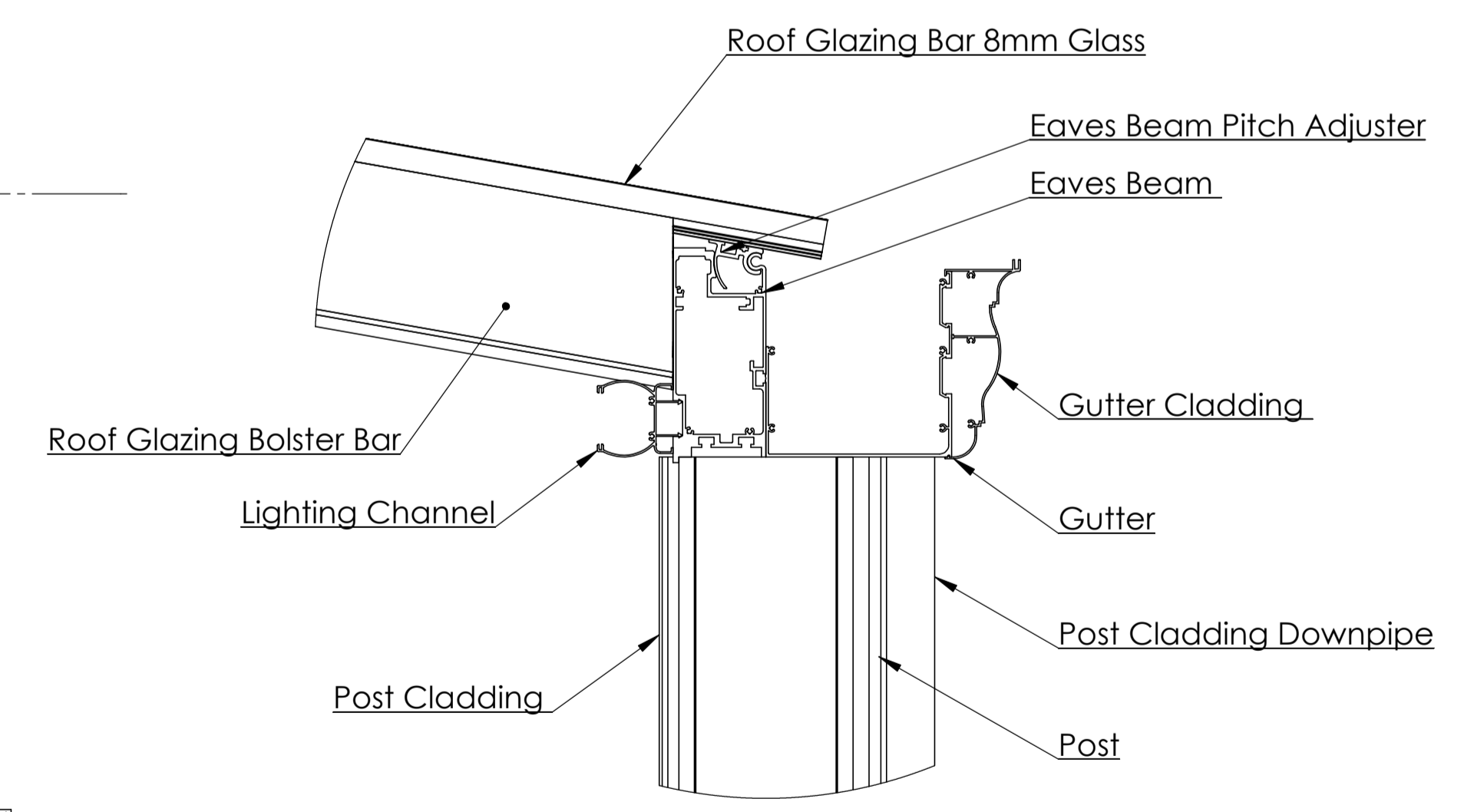
Wall Plate & Roof Glazing Bolster Bar Section



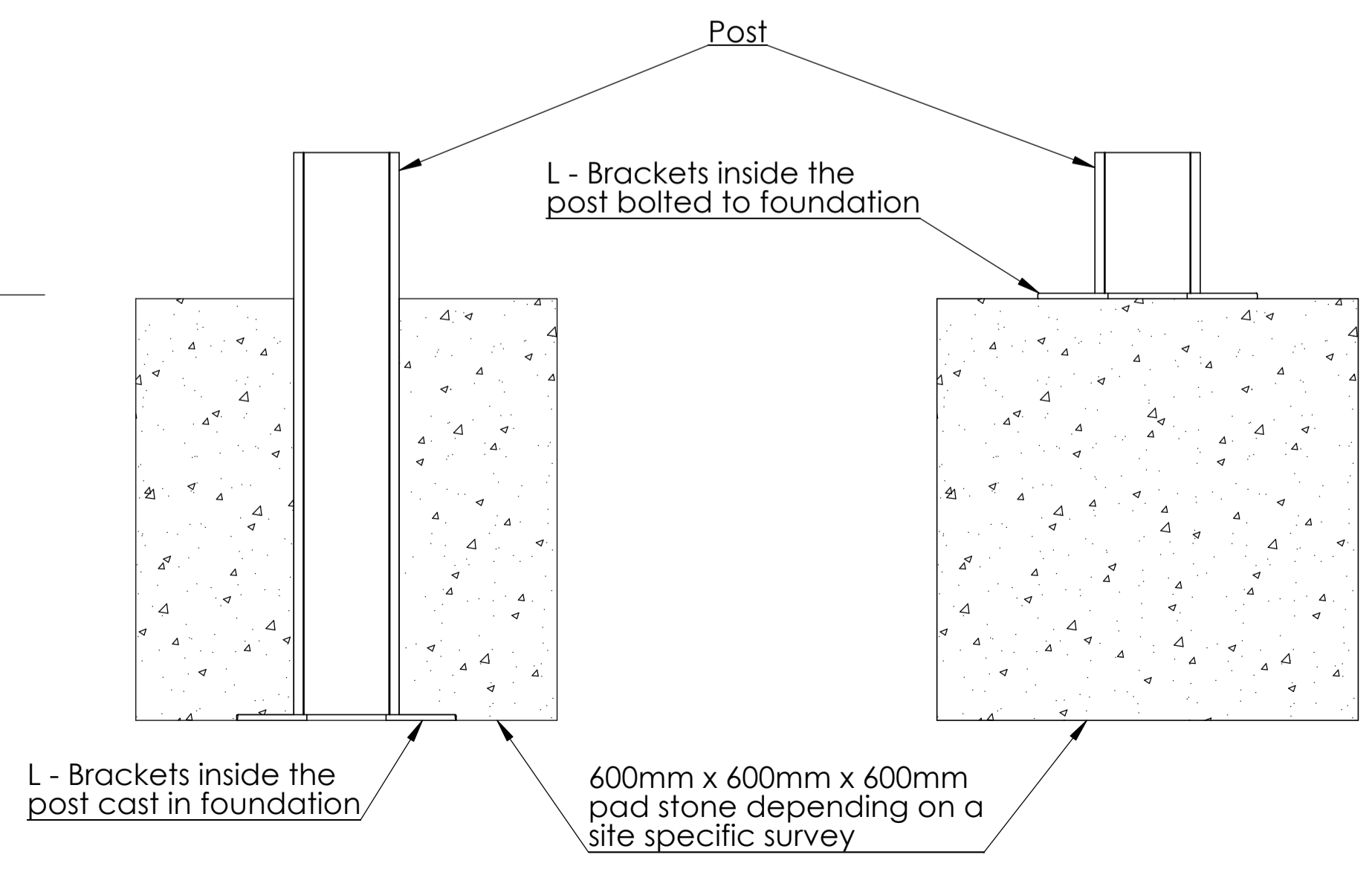
Roof Glazing Bar & Sheet Section



Eaves Beam, Roof Glazing Bolster Bar & Post Section



Base & Post Connection Information



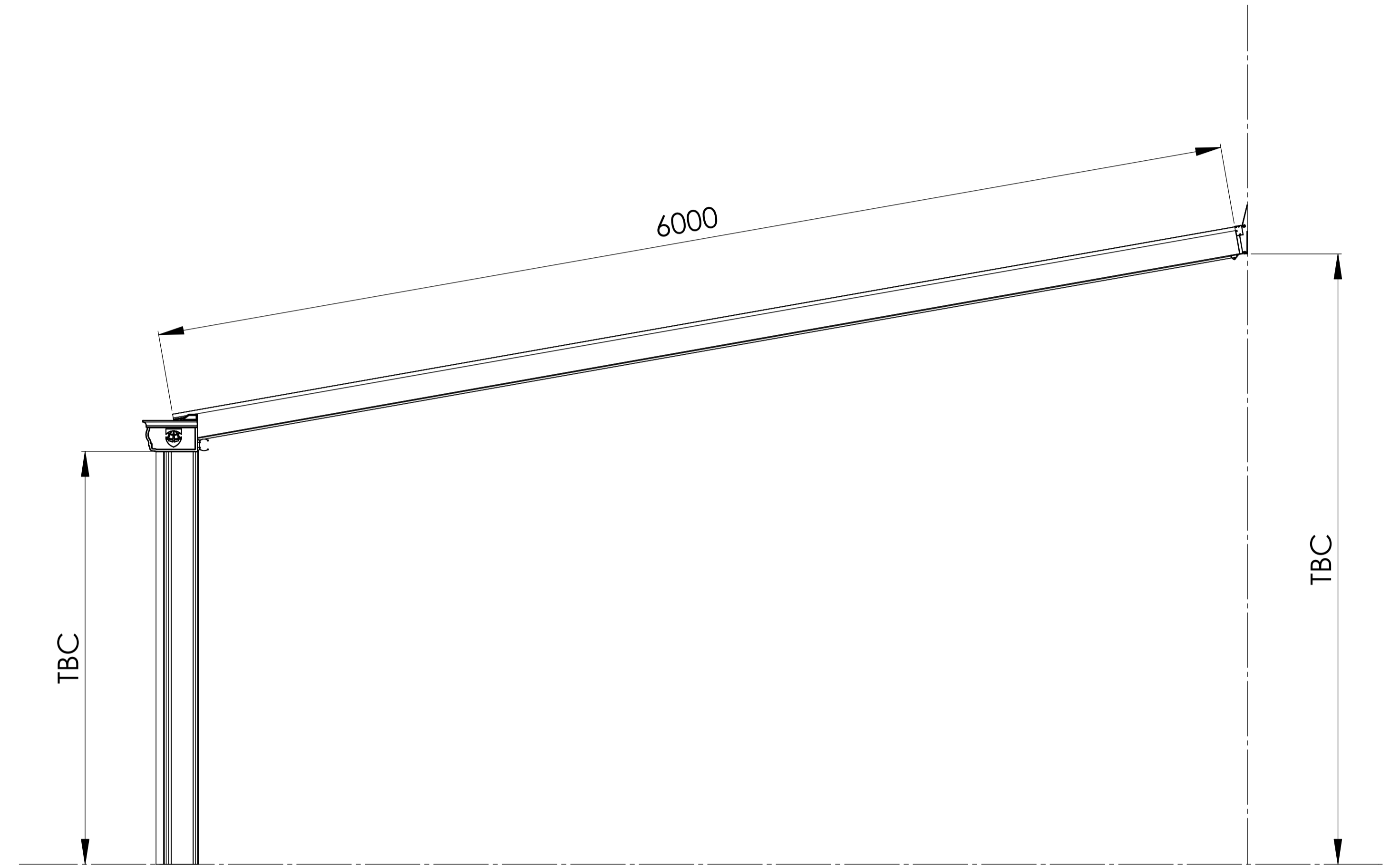
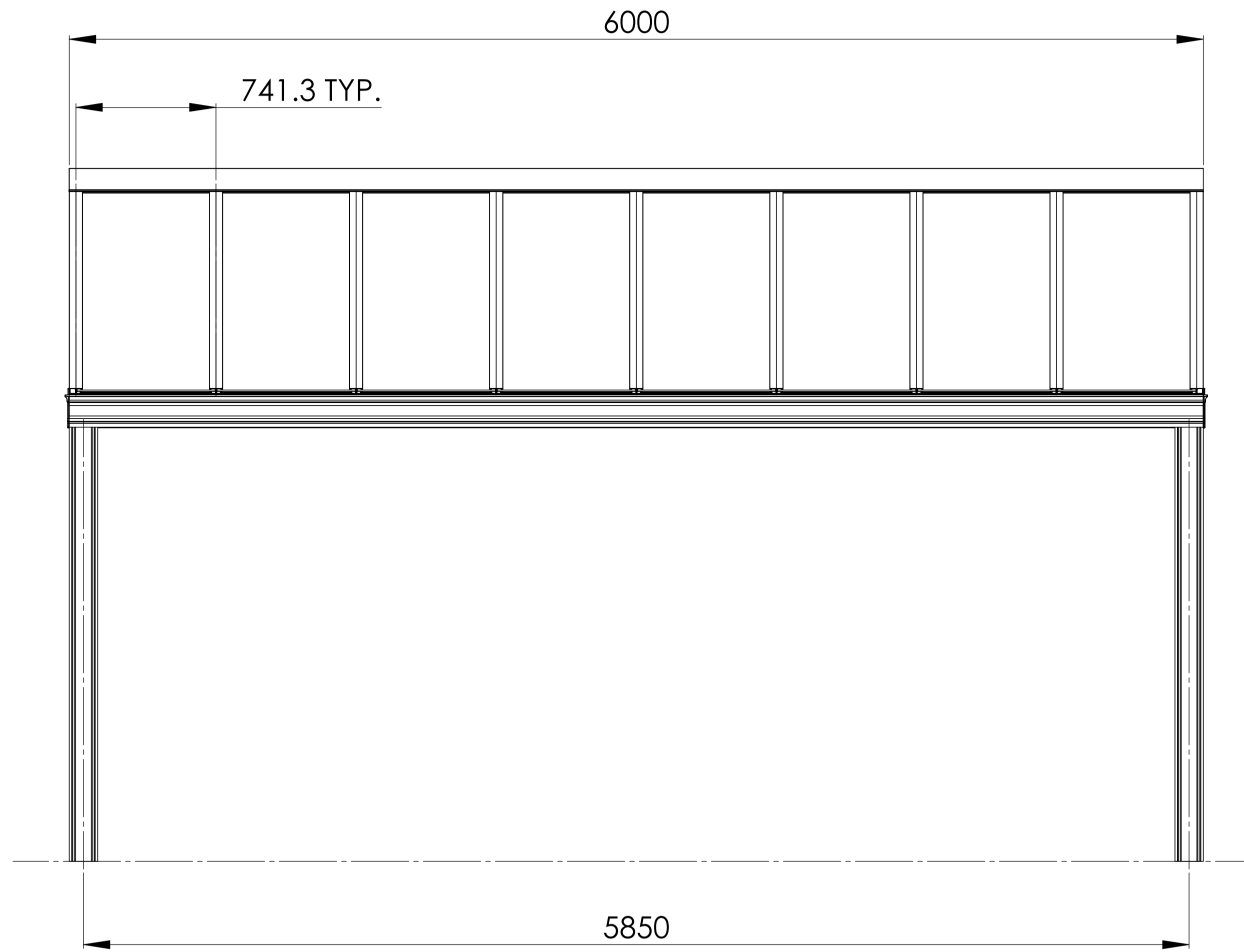
Material List & Component Information :

- 1, The canopy wall plate is an extruded aluminium profile which fixes to the wall or steel bracket.
- 2, This canopy uses 8mm glass roof panels in clear.
- 3, This canopy uses our gasketed 8mm glass roof system, which is constructed from T6 grade structural aluminium frame.
- 4, The frame of the canopy is made from 150mm x 150mm x 2.5mm aluminium box section.

The frame is available, Powder coated

Please note: This is a standardised product data sheet and is subject to change depending on individual cases, or site specific surveys. Specific drawings are available upon request or on receipt of an order.

Originator: Able Canopies Ltd <small>The Canopy Experts!</small>					
Drawing Title: Able Canopies					
Product: Ashton Wallmounted					
	Page 1 of 2	Date 17-05-16	Page Size A1 (L)	Scale N/A	Drawn SK
<small>This drawing and the product it displays is the sole property of Able Canopies Ltd any reproduction of this drawing or product without the written permission of Able Canopies Ltd is prohibited.</small>	Finish N/A	Issuer ACS	(Tol) +/- 1 mm	Sequence 000001	Revision v1.0



Originator:
Able Canopies Ltd



Drawing Title: Able Canopies

Product: Ashton Wallmounted

	Page 2 of 2	Date 17-05-16	Page Size A1 (L)	Scale N/A	Drawn SK
--	----------------	------------------	---------------------	--------------	-------------

<small>This drawing and the product it displays is the sole property of Able Canopies Ltd any reproduction of this drawing or product without the written permission of Able Canopies Ltd is prohibited.</small>	Finish	Issuer	(Tol)	Sequence	Revision
	N/A	ACS	+/- 1 mm	000001	v1.0