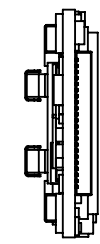
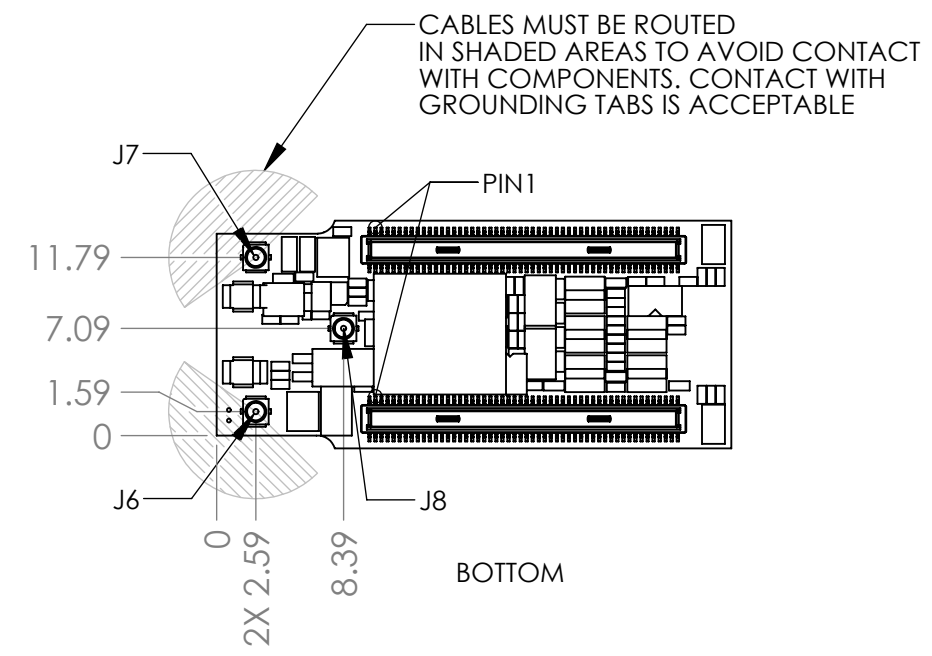
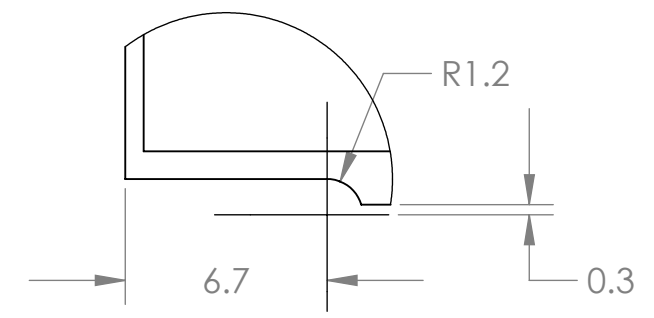
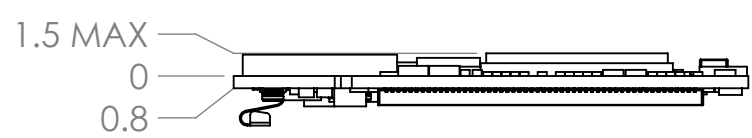
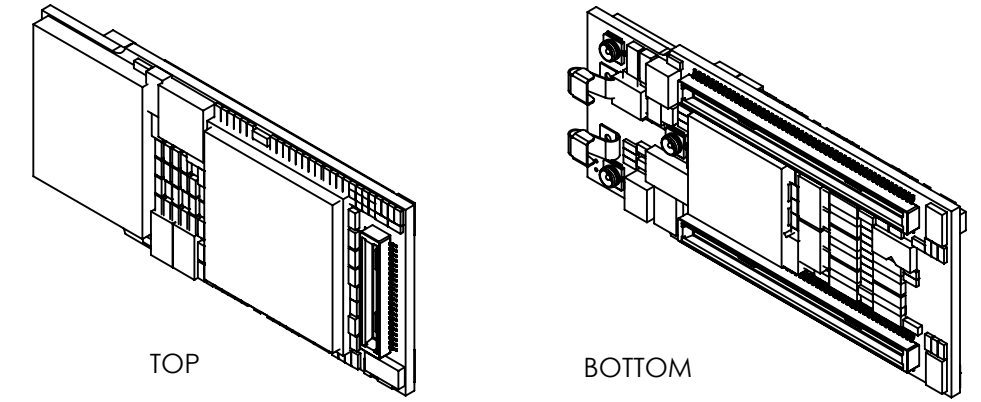
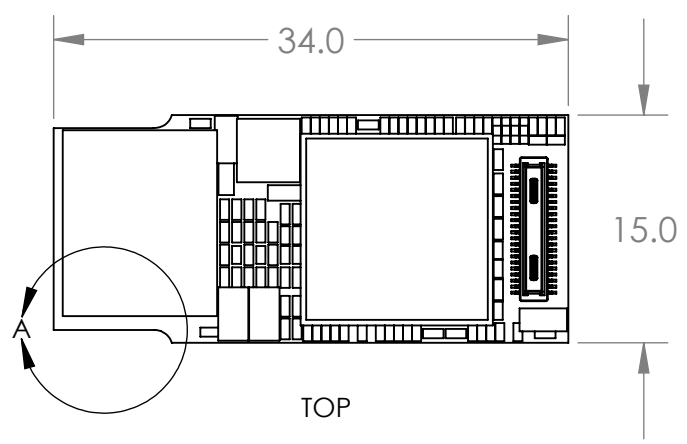


NOTES:

1. DO NOT SCALE DRAWING
2. DO NOT PLACE ANY COMPONENTS OR EXPOSED VIAS WITHIN LAYOUT AREA OF SOM
3. BASEBOARD CONNECTOR SPECIFICATION (MACHINE PLACEMENT RECOMMENDED): HIROSE DF40C-100DS-0.4V
4. IF USING THE ETM DEBUG BOARD DURING DEVELOPMENT, VERIFY COMPONENT HEIGHT CONSTRAINTS IN SPECIFIED AREA
5. PANEL VESTIGES ON ALL FOUR EDGES - DO NOT PLACE COMPONENTS DIRECTLY ALIGNED WITH EDGE OF SOM
6. REFER TO WHITE PAPER 530, DM3730/AM3703 TORPEDO + WIRELESS SOM THERMAL MANAGEMENT, FOR RECOMMENDATIONS ON MECHANICAL HEAT DISTRIBUTION THROUGH THE BASEBOARD

REVISIONS			
REV	PCB NUMBER	DESCRIPTION	DATE
A	1026948	INITIAL RELEASE FOR -32 MODEL DIMENSIONS	2015.02.27



DIMENSIONING AND TOLERANCING TO BE INTERPRETED PER ASME Y14.5-2009

ALL DIMENSIONS ARE IN MILLIMETERS UNLESS OTHERWISE SPECIFIED

TOLERANCES UNLESS OTHERWISE SPECIFIED

X	± 0.5
X.X	± 0.2
X.XX	± 0.1
X°	± 1°

THIRD ANGLE PROJECTION

INFORMATION CONTAINED HEREIN IS CONFIDENTIAL TO LOGIC PD AND MAY NOT BE DISCLOSED TO A THIRD PARTY WITHOUT WRITTEN PERMISSION.

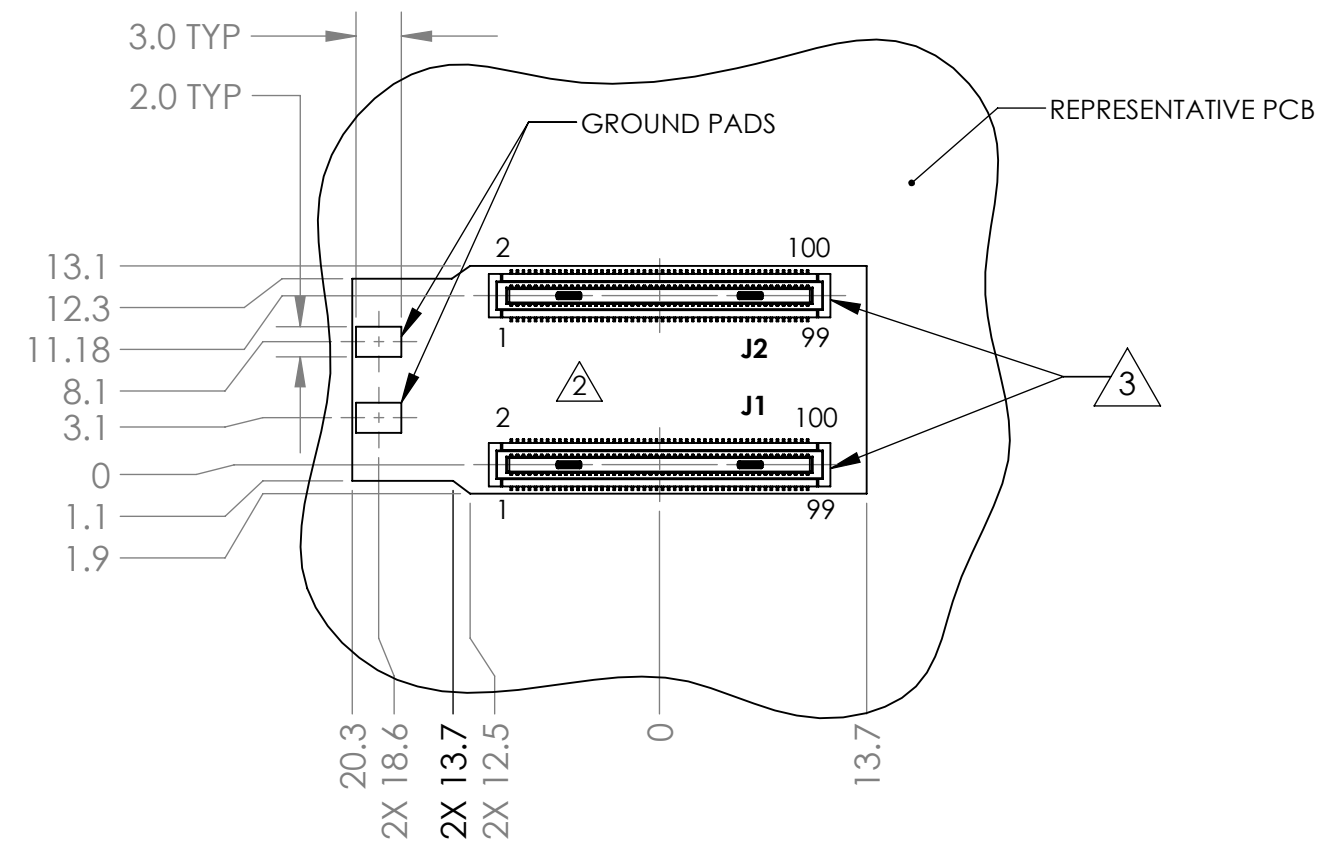
ENG DG	DATE 2015.02.27
CHECK KAG	DATE 3/18/2015
MGR	DATE
MANE	DATE



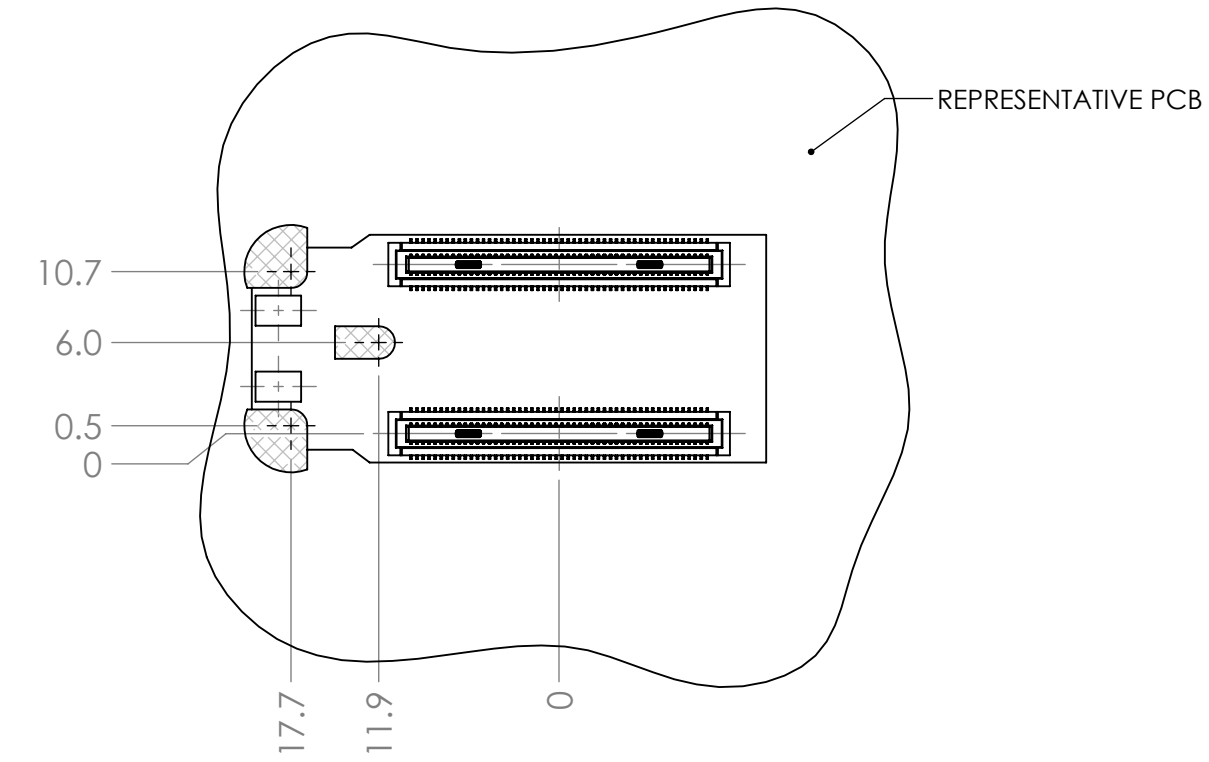
SIZE <b>B</b>	TITLE DM3730 & AM3703 TORPEDO + WIRELESS SOM, -32 MODEL	REV <b>A</b>
SCALE 2:1	DWG NO 1027058	SHEET 1 OF 3

8 7 6 5 4 3 2 1

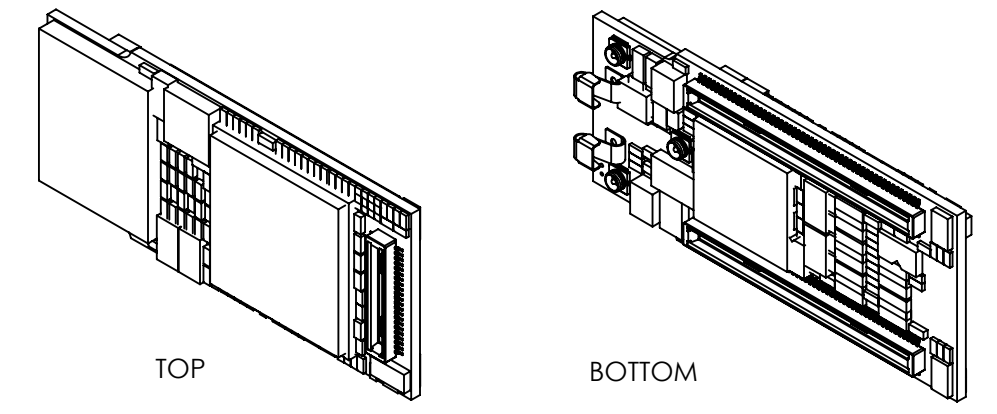
D  
C  
B  
A



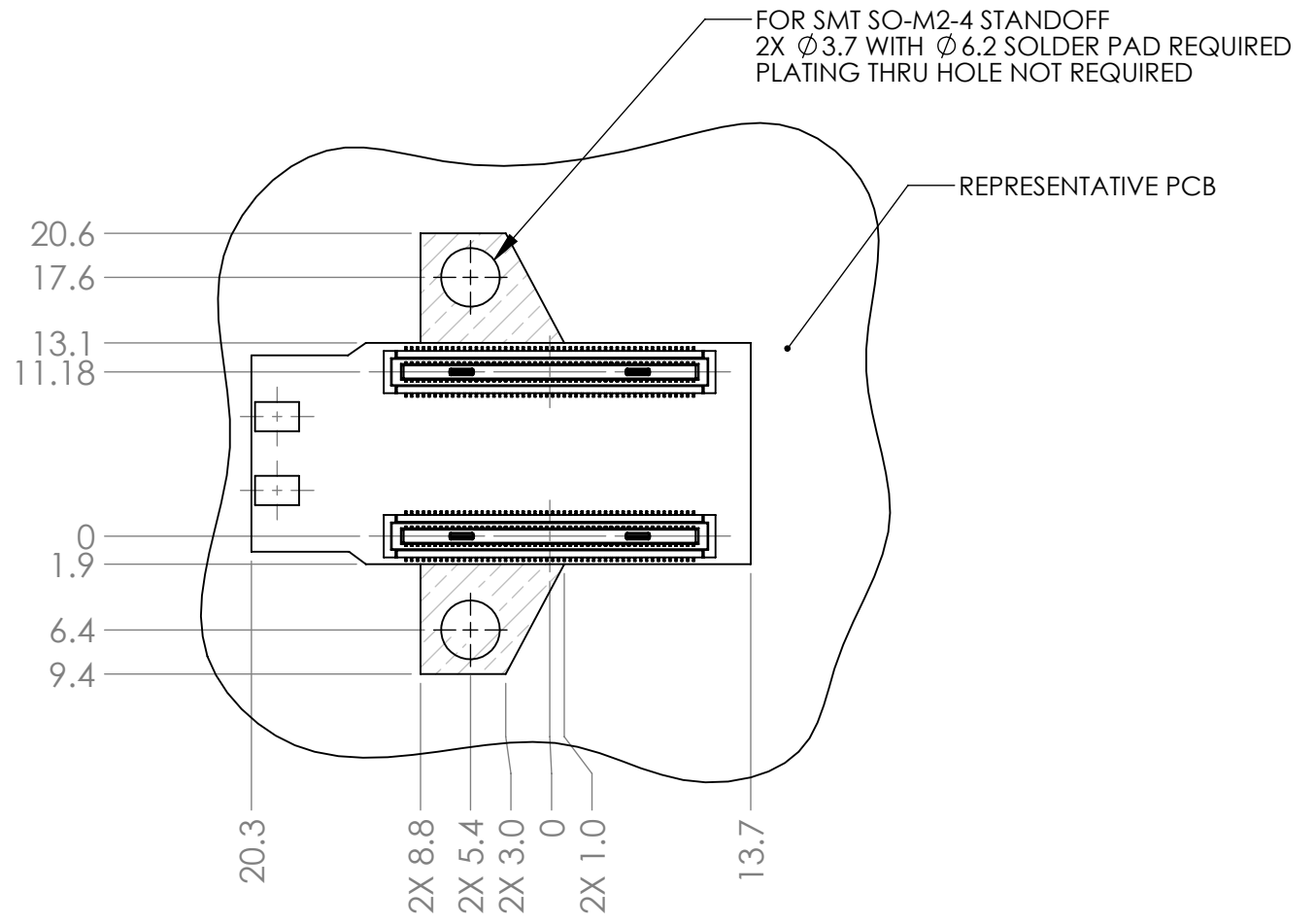
BASIC RECOMMENDED KEEPOUT AREA AND BASEBOARD FOOTPRINT



NOMINAL RECOMMENDED VIA AND TRACE KEEPOUT DEPEND ON CABLE USED AND ROUTING



ISOMETRIC VIEWS FOR REFERENCE ONLY



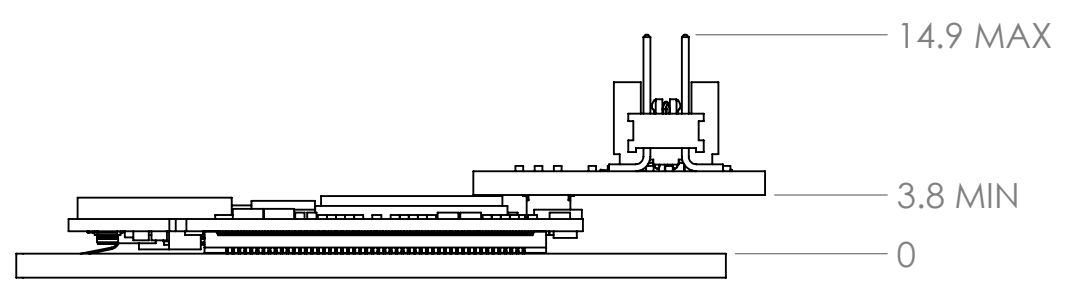
ADDITIONAL KEEPOUT AREA AND BASEBOARD FOOTPRINT FOR HOLD DOWN CLIP

SIZE	TITLE	REV
<b>B</b>	DM3730 & AM3703 TORPEDO + WIRELESS SOM, -32 MODEL	<b>A</b>
SCALE	DWG NO	SHEET
2:1	1027058	2 OF 3

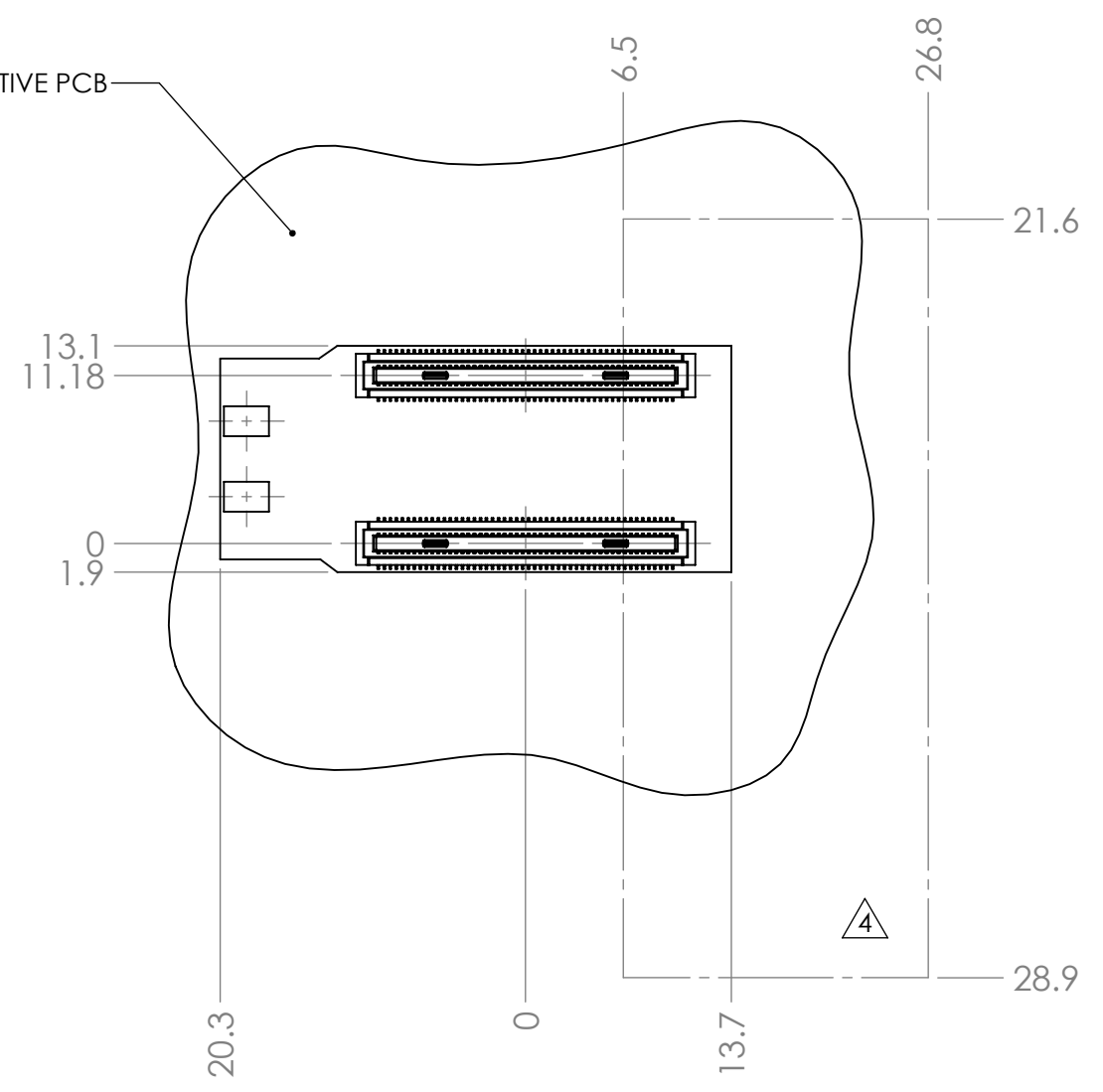
8 7 6 5 4 3 2 1

8 7 6 5 4 3 2 1

D  
C  
B  
A



REPRESENTATIVE PCB



ETM DEBUG BOARD OUTLINE AND HEIGHT CONSTRAINTS

SIZE	TITLE	REV
<b>B</b>	DM3730 & AM3703 TORPEDO + WIRELESS SOM, -32 MODEL	<b>A</b>
SCALE	DWG NO	SHEET
2:1	1027058	3 OF 3

8 7 6 5 4 3 2 1