

PROJECT:	ETX CARRIER BOARD
PART NUMBER:	1000250
ASSEMBLY NAME:	MINI ITX Lite
SCHEMATICS:	KTL
Table of Contents	
Page	Description
1	TITLE PAGE
2	SERIAL, CAN
3	POWER SUPPLIES
4	PCI SLOT
5	ETX CONNECTORS

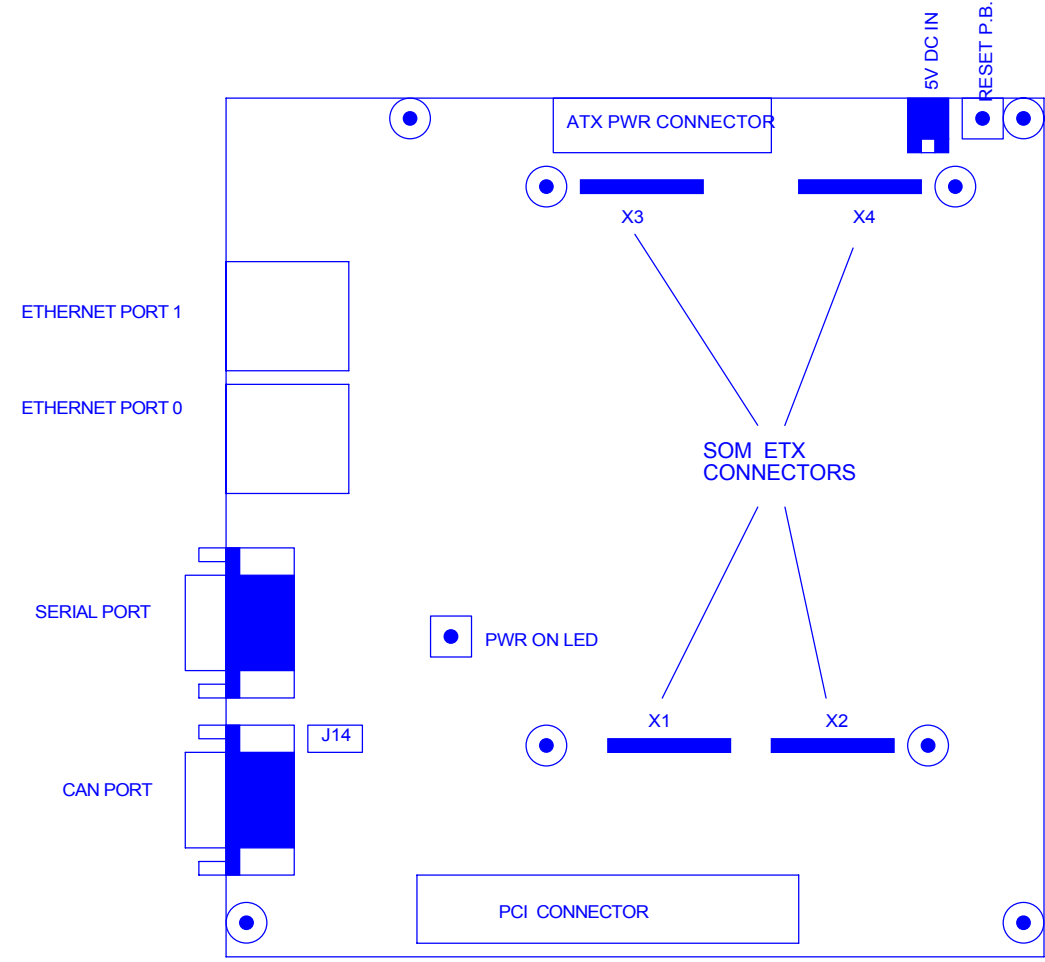
COLOR LEGEND

NOTE:  
 NOTES IN GREEN TEXT ARE GENERAL DESIGN OR SCHEMATIC NOTES

LAYOUT NOTE:  
 NOTES IN RED TEXT ARE PCB LAYOUT RECOMMENDATIONS OR GUIDELINES

NET NAMES  
 NET NAMES IN GREEN TEXT ARE NETS THAT ARE NOT DIRECTLY CONNECTED WITH A VISIBLE WIRE ON SINGLE SCHEMATIC PAGE, BUT USE THIS CONVENTION TO MAKE THE SCHEMATIC EASIER TO READ

NET NOTE  
 NET NOTES IN BLACK TEXT INDICATE A PARTICULAR FUNCTIONALITY OF A SPECIFIC NET, IT IS NOT A NET NAME MERELY TEXT AND HAS NO AFFECT ON THE DRC.



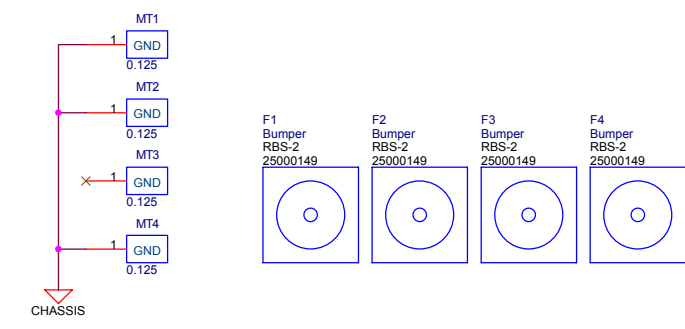
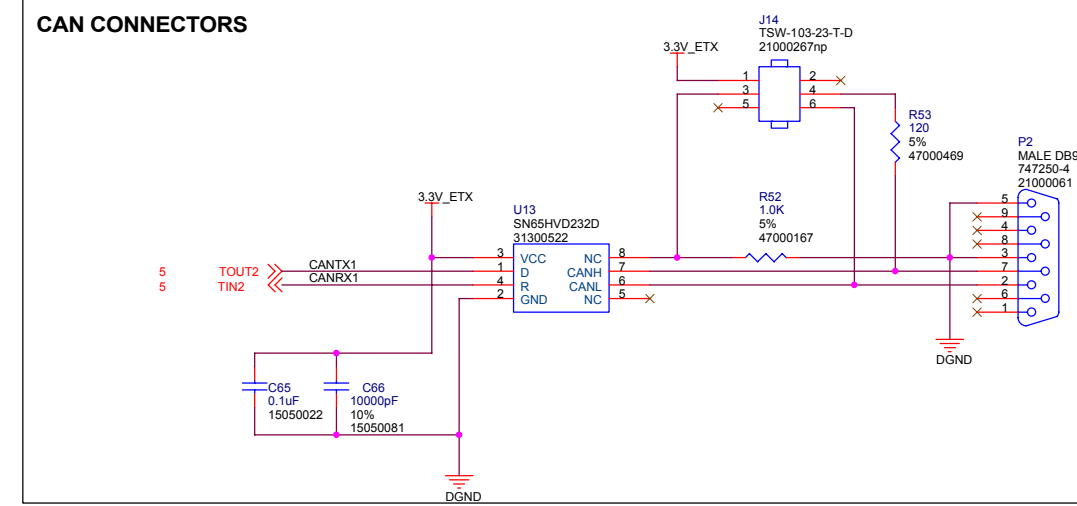
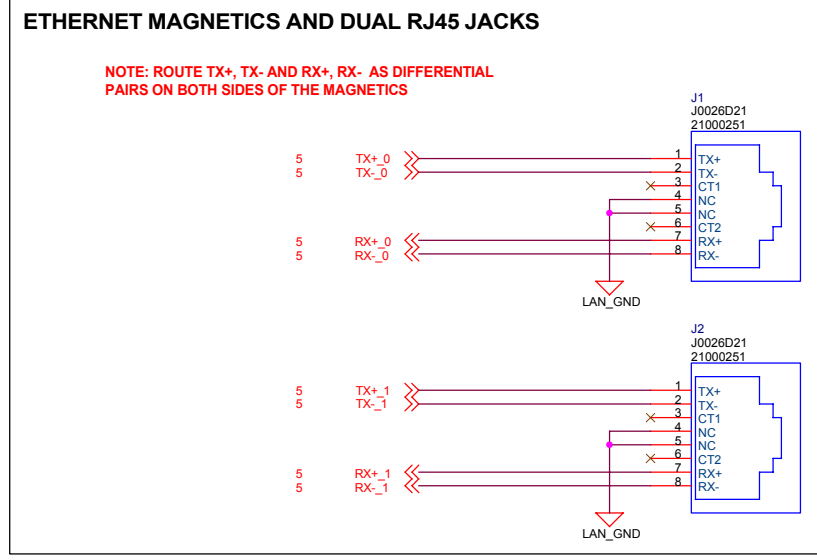
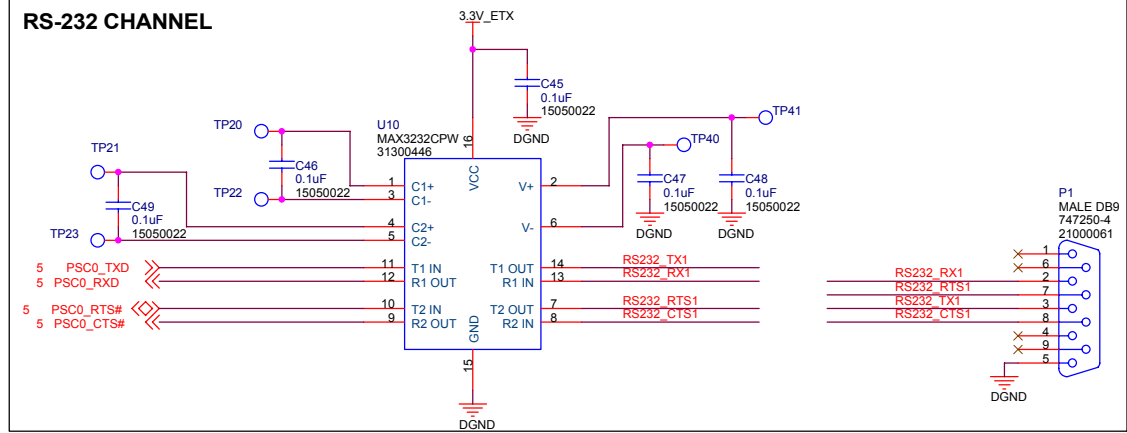
PCB1  
 ITX LCE Block diagram  
 17000082

INFORMATION IN THIS DOCUMENT IS PROVIDED IN CONNECTION WITH LOGIC PRODUCT DEVELOPMENT. NO LICENSE, EXPRESS OR IMPLIED, BY LOGIC PRODUCT DEVELOPMENT (LPD) OR OTHERWISE, TO ANY INTELLECTUAL PROPERTY RIGHTS IS GRANTED BY THIS DOCUMENT. EXCEPT AS PROVIDED IN LPD'S TERMS AND CONDITIONS OF SALE FOR SUCH PRODUCTS. LPD ASSUMES NO LIABILITY WHATSOEVER, AND LPD DISCLAIMS ANY EXPRESS OR IMPLIED WARRANTY, RELATING TO SALE AND/OR USE OF LPD PRODUCTS INCLUDING LIABILITY OR WARRANTIES RELATING TO FITNESS FOR A PARTICULAR PURPOSE, MERCHANTABILITY, OR INFRINGEMENT OF ANY PATENT, COPYRIGHT OR OTHER INTELLECTUAL PROPERTY RIGHT. LPD PRODUCTS ARE NOT INTENDED FOR USE IN MEDICAL, LIFE SAVING, LIFE SUSTAINING APPLICATIONS.

LPD MAY MAKE CHANGES TO SPECIFICATIONS AND PRODUCT DESCRIPTIONS AT ANY TIME, WITHOUT NOTICE. DESIGNERS MUST NOT RELY ON THE ABSENCE OR CHARACTERISTICS OF ANY FEATURES OR INSTRUCTIONS MARKED RESERVED OR UNDEFINED.

Schematic Modify Date = Thursday, June 02, 2005

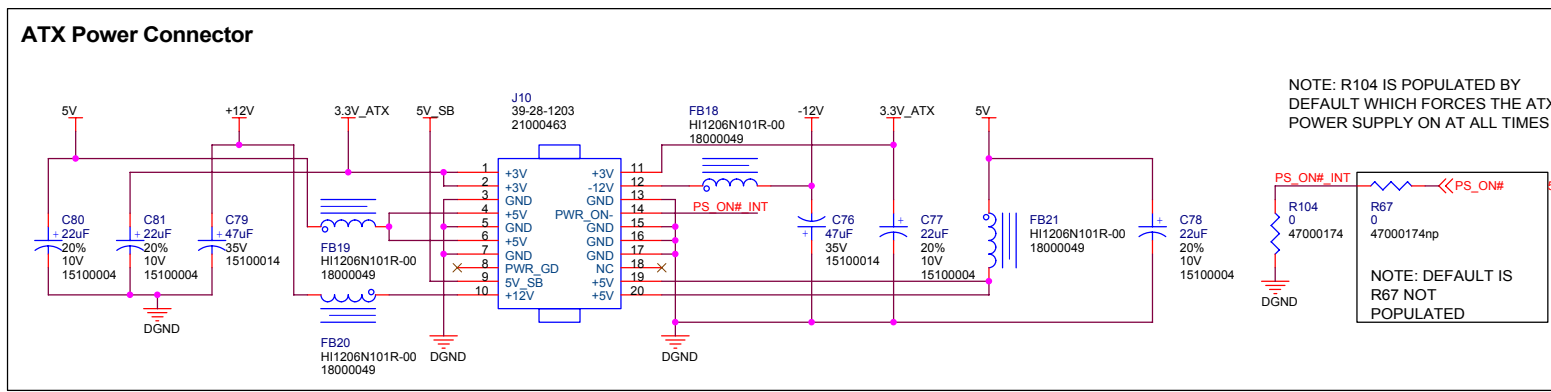
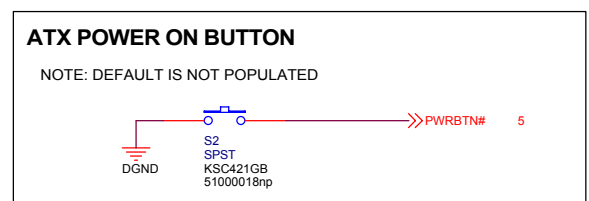
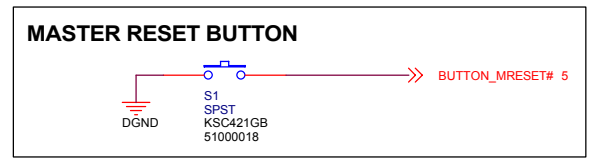
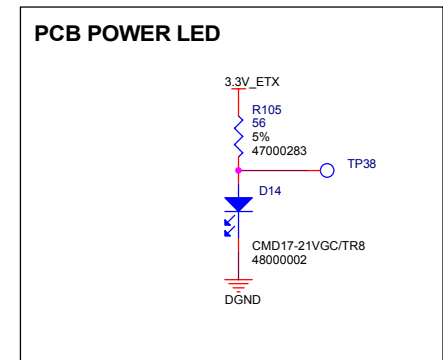
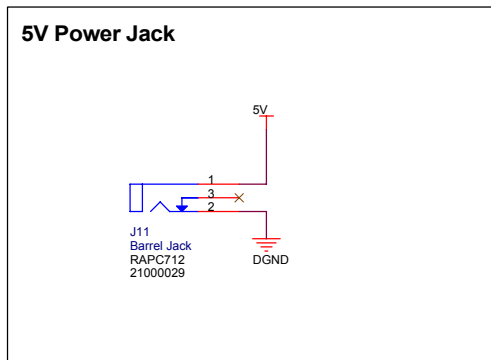
	<b>LOGIC</b> PRODUCT DEVELOPMENT		411 WASHINGTON AVE. N MINNEAPOLIS, MN 55401 PHONE: (612) 672-9495 FAX: (612) 672-9489
	Title MINI ITX Lite, Block Diagram		
Size C	Number 1000250	Rev C	
Date Friday, February 20, 2004	Project MOT-ITX	Sheet 1 Of 5	



REV A -> B  
1) SWAPPED CANTX0/CANRX0  
WITH CANTX1/CANRX1

Schematic Modify Date = Thursday, June 02, 2005

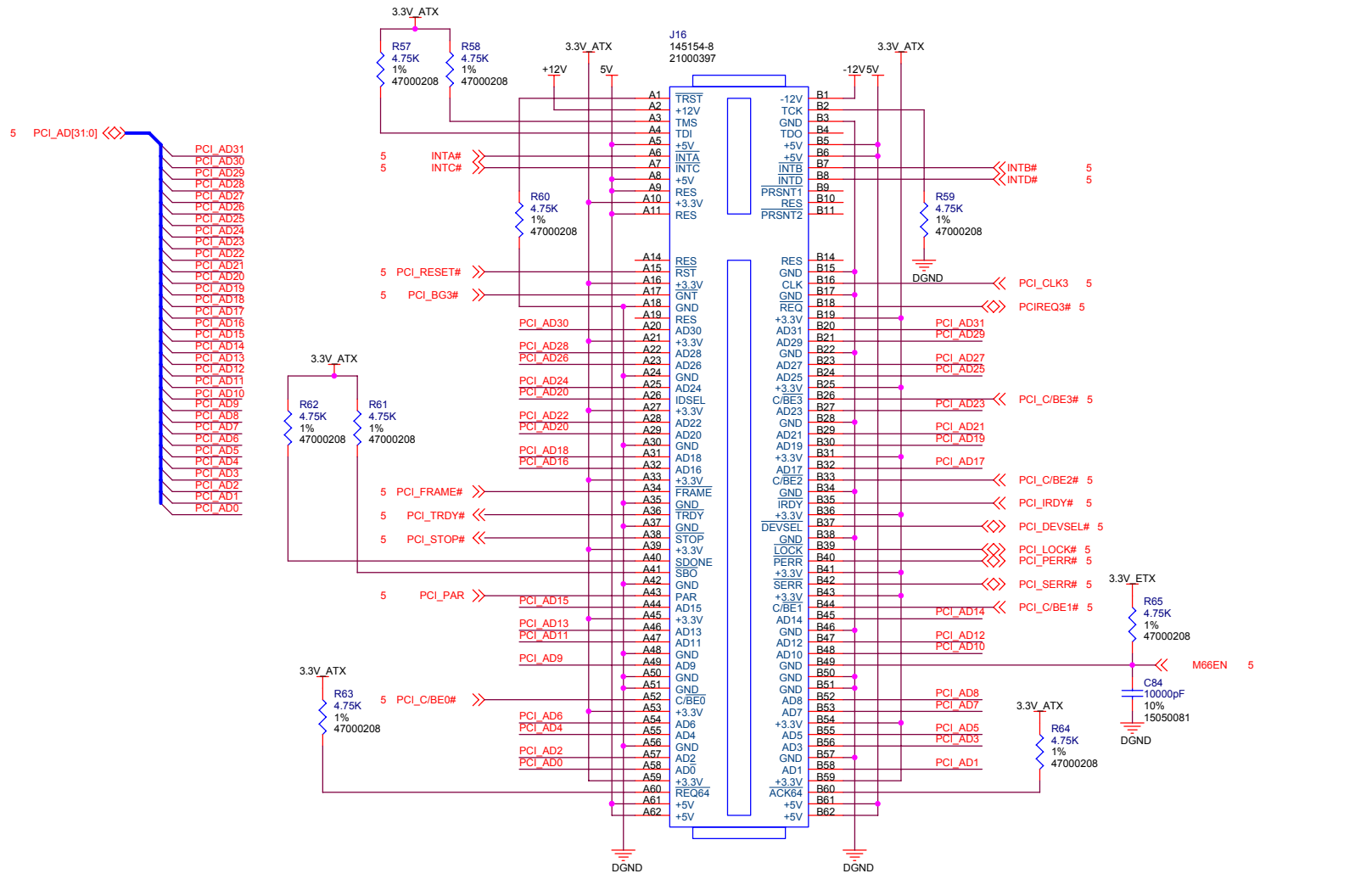
		<b>LOGIC</b> PRODUCT DEVELOPMENT	411 WASHINGTON AVE. N MINNEAPOLIS, MN 55401 PHONE: (612) 672-9495 FAX: (612) 672-9489
Title MINI ITX Lite, SERIAL, CAN, ETHERNET			
Size C	Number 1000250	Rev C	
Date Wednesday, February 18, 2004	Project MOT-ITX	Sheet 2 Of 5	



REV B -> C  
1) CHANGED S1 & S2 TO 51000018

Schematic Modify Date = Thursday, June 02, 2005

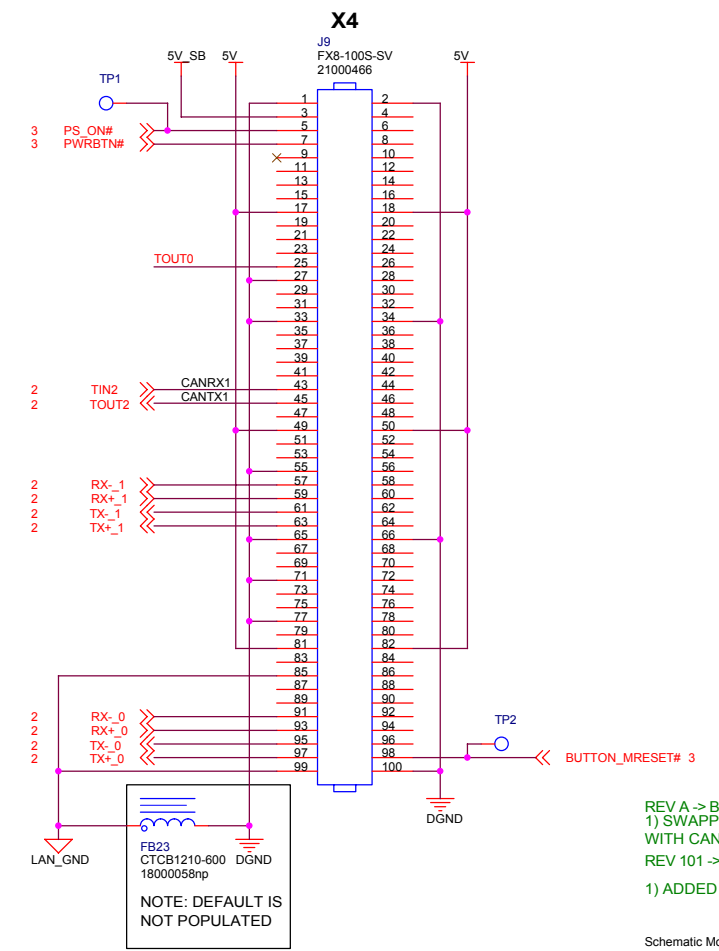
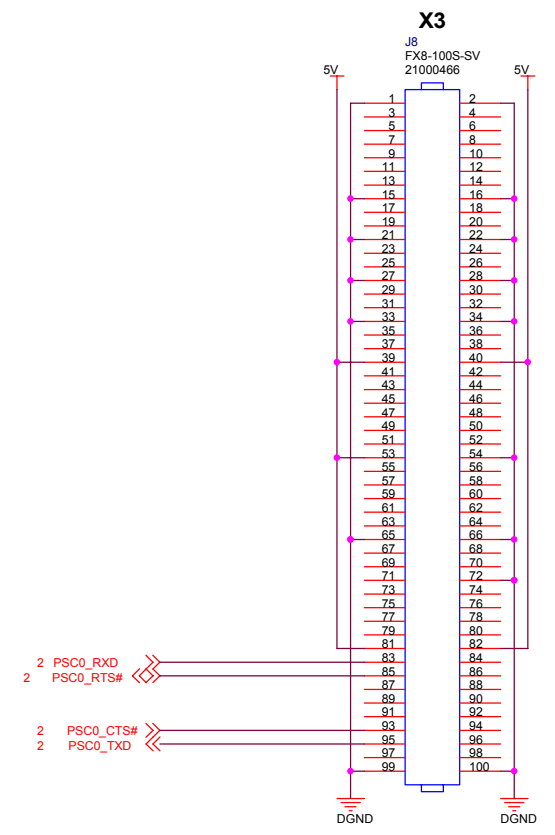
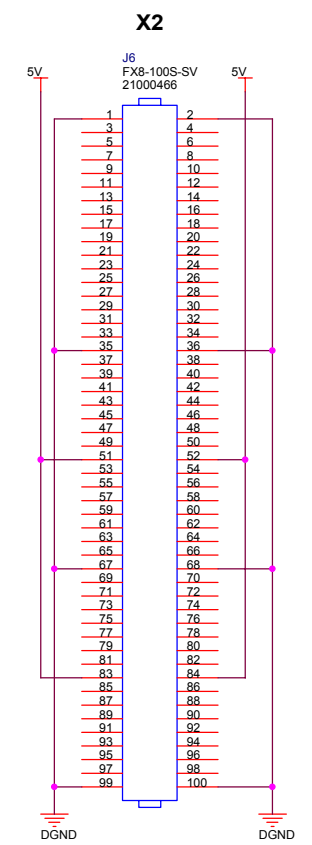
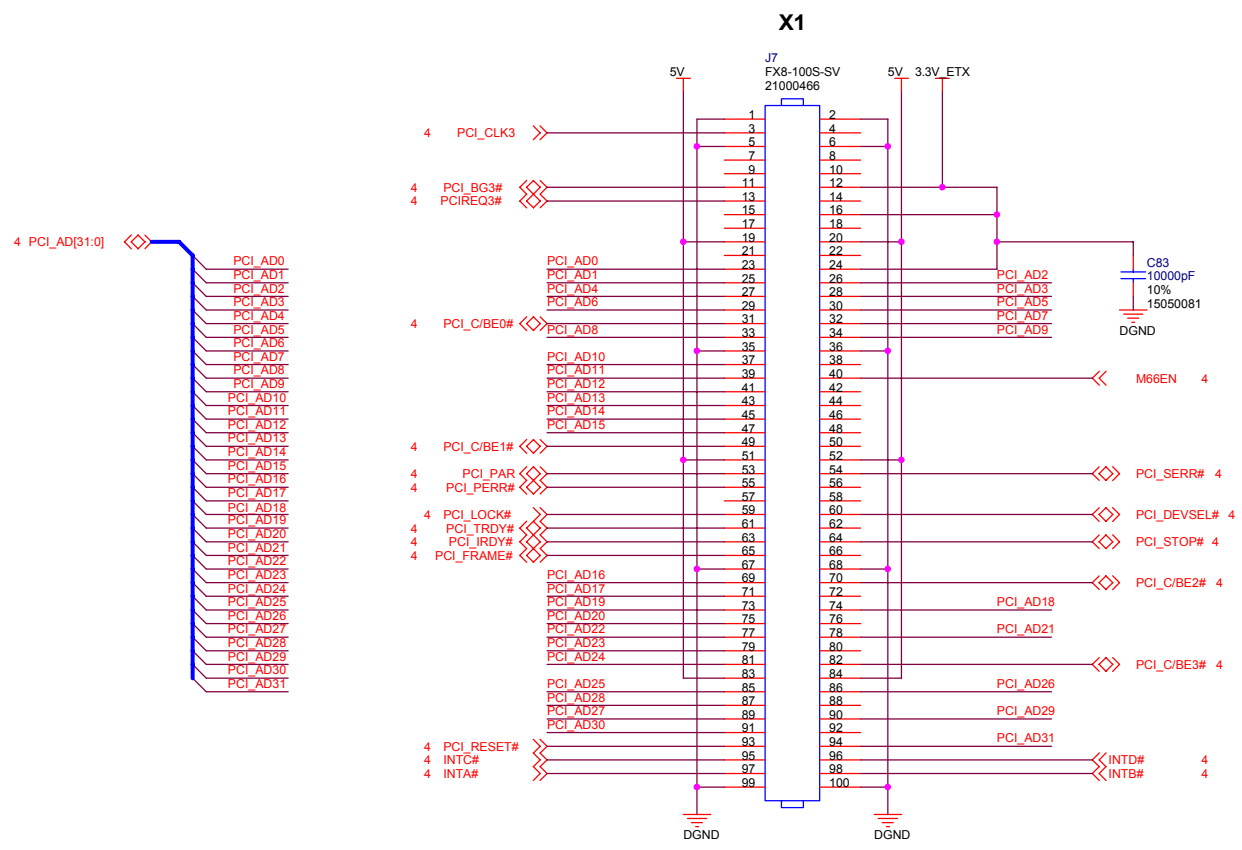
		<b>LOGIC</b> PRODUCT DEVELOPMENT	411 WASHINGTON AVE. N MINNEAPOLIS, MN 55401 PHONE: (612) 672-9495 FAX: (612) 672-9489
Title MINI ITX Lite, Power Supplies			
Size C	Number 1000250	Rev C	
Date Wednesday, February 18, 2004	Project MOT-ITX	Sheet 3 Of 5	



Schematic Modify Date = Thursday, June 02, 2005

		<b>LOGIC</b> PRODUCT DEVELOPMENT		411 WASHINGTON AVE. N MINNEAPOLIS, MN 55401 PHONE: (612) 672-9495 FAX: (612) 672-9489	
				Title MINI ITX Lite, PCI Slot	
Size	C	Number	1000250	Rev	C
Date	Wednesday, February 18, 2004	Project	MOT-ITX	Sheet	4 Of 5

# 05 - ETX CONNECTORS



REV A -> B  
1) SWAPPED CANTX0/CANRX0 WITH CANTX1/CANRX1  
REV 101 -> A  
1) ADDED TP1 AND TP2

Schematic Modify Date = Thursday, June 02, 2005

		<b>LOGIC</b> PRODUCT DEVELOPMENT		411 WASHINGTON AVE. N MINNEAPOLIS, MN 55401 PHONE: (612) 672-9495 FAX: (612) 672-9489	
		Title MINI ITX Lite_ETX Connectors			
Size	C	Number	1000250	Rev	C
Date	Wednesday, February 18, 2004	Project	MOT-ITX	Sheet	5 Of 5