



LH79524-10: Recommended Ethernet Circuit

Application Note 272

Nathan Kro

Logic Product Development

Published: February, 2005

Abstract

This document provides the recommended Ethernet circuit for Logic's LH79524-10 Card Engine.

This file contains source code, ideas, techniques, and information (the Information) which are Proprietary and Confidential Information of Logic Product Development, Inc. This information may not be used by or disclosed to any third party except under written license, and shall be subject to the limitations prescribed under license.

No warranties of any nature are extended by this document. Any product and related material disclosed herein are only furnished pursuant and subject to the terms and conditions of a duly executed license or agreement to purchase or lease equipments. The only warranties made by Logic Product Development, if any, with respect to the products described in this document are set forth in such license or agreement. Logic Product Development cannot accept any financial or other responsibility that may be the result of your use of the information in this document or software material, including direct, indirect, special or consequential damages.

Logic Product Development may have patents, patent applications, trademarks, copyrights, or other intellectual property rights covering the subject matter in this document. Except as expressly provided in any written agreement from Logic Product Development, the furnishing of this document does not give you any license to these patents, trademarks, copyrights, or other intellectual property.

The information contained herein is subject to change without notice. Revisions may be issued to advise of such changes and/or additions.

© Copyright 2002, Logic Product Development, Inc. All Rights Reserved.

REVISION HISTORY

REV	EDITOR	DESCRIPTION	APPROVAL	DATE
A	Nathan Kro	Release	KTL	2/2/2005

1 Introduction

The following schematics provide an example circuit that can be used to connect Ethernet on the LH79524-10. For information on interfacing to the Ethernet PHY see Broadcom's AC101L datasheet for the complete command set and registers.

2 Ethernet Circuit

The LH79524-10 uses the Broadcom AC101L Ethernet PHY. The schematics in Figure 2.1 shows the circuit implemented on the Logic SDK application board. Note: the magnetics are internal to the connector. The orientation of the magnetics is different than the recommended orientation stated in Broadcom's AC101L datasheet. Refer to the Pulse J0026D21 datasheet for magnetics orientation and the Broadcom AC101L datasheet for their suggested orientation.

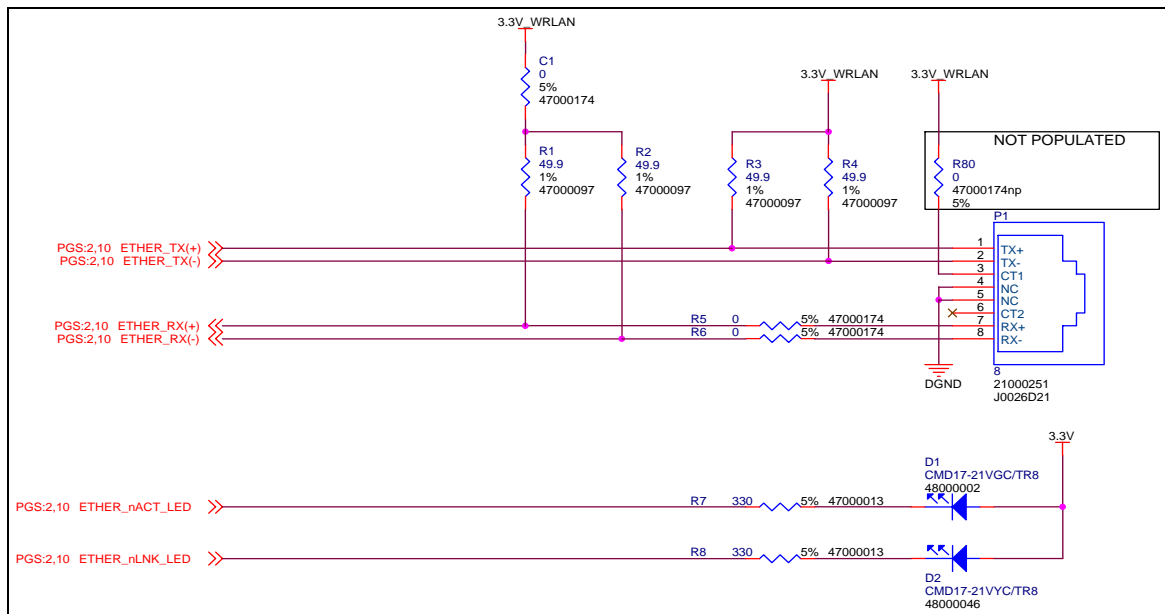


Figure 2.1: Ethernet Circuit

3 Summary

Logic has found the shown Ethernet impedance network to work well on the SDK application board. Customers should read and understand Broadcom's suggested circuit and implement the circuit that best fits their system requirements.