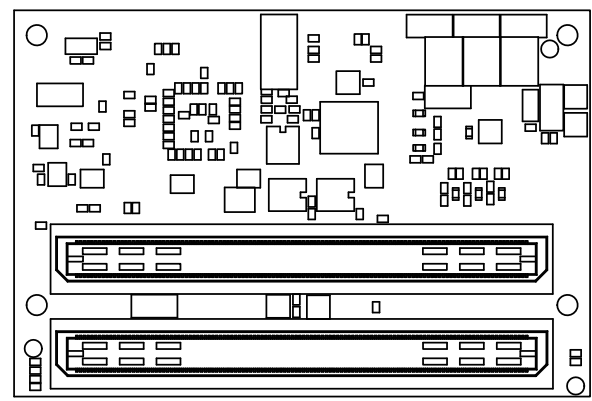
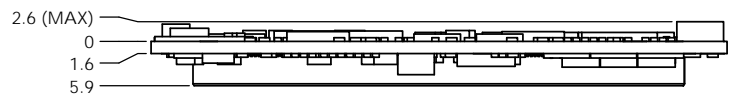
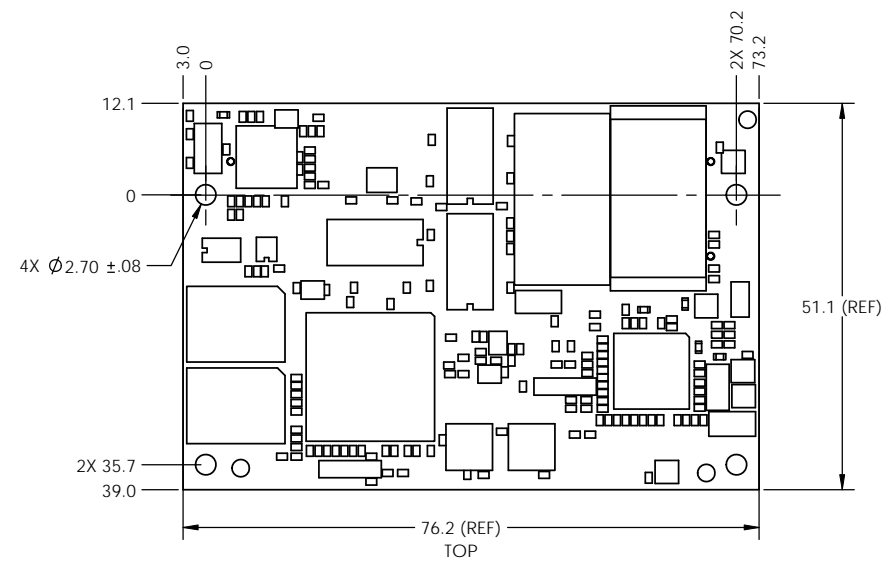
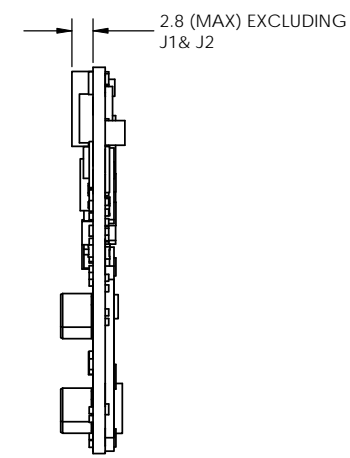


REVISIONS			
REV.	ECO NUMBER	DESCRIPTION	DATE
A	-	INITIAL RELEASE	07.30.08
B	-	UPDATED FOOTPRINT DIMENSIONING SCHEME	3.19.09



- NOTES:
- 1. WITHIN LAYOUT AREA OF SOM-LV
MAXIMUM COMPONENT HEIGHT ON
APPLICATION BASEBOARD IS 1.0 MM
 - 2. BASEBOARD CONNECTOR SPECIFICATION:
SAMTEC BSH-120-01-L-D-A
 - 3. DO NOT SCALE DRAWING



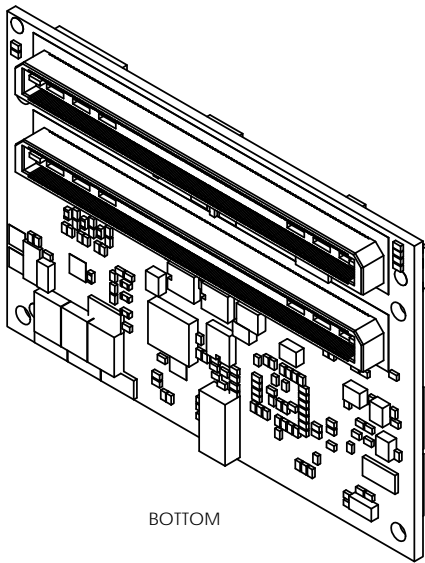
THIS DRAWING PREPARED
IN ACCORDANCE WITH
ASME Y14.5-2000

ALL DIMENSIONS
ARE IN MILLIMETERS
UNLESS OTHERWISE
SPECIFIED

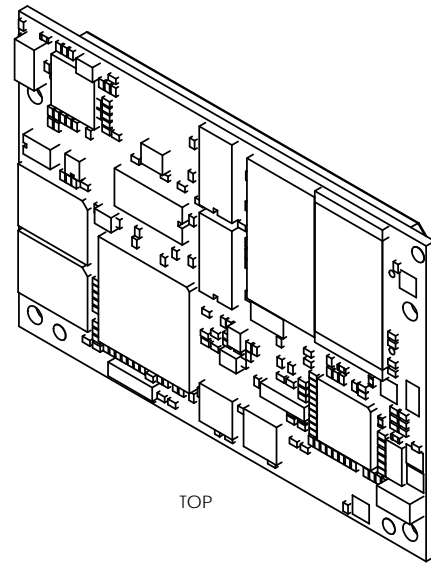
TOLERANCES UNLESS
OTHERWISE SPECIFIED

X ± 0.5
X.X ± 0.2
X.XX ± 0.1
X' ± 1"

ENG MHC CHECK KAG MGR PMH DATE	DATE 07.30.08 DATE 07.30.08 DATE 07.30.08 DATE -	<p>411 N. Washington Ave, Suite 400 Minneapolis, MN 55401 T: 612.872.9488 F: 612.872.9489 I: www.logicpd.com</p>	SIZE C	TITLE i.MX27 SOM-LV	REV B
			SCALE 2:1	DWG NO 1010497	SHEET 1 OF 2

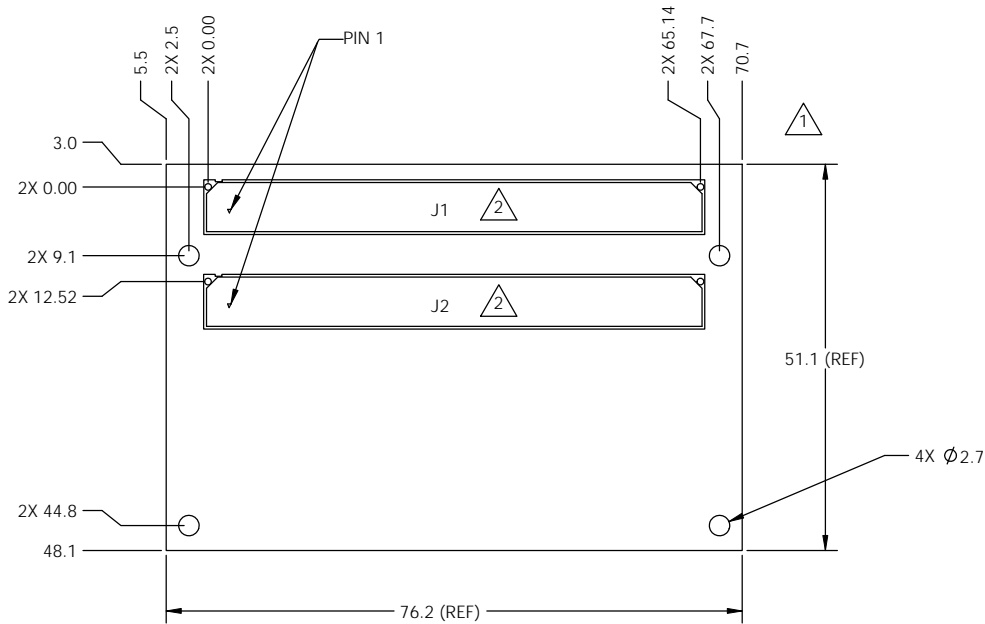


BOTTOM



TOP

ISOMETRIC VIEWS
FOR REFERENCE ONLY



RECOMMENDED BASEBOARD FOOTPRINT

SIZE C	TITLE i.MX27 SOM-LV	REV B
SCALE 2:1	DMG NO 1010497	SHEET 2 OF 2