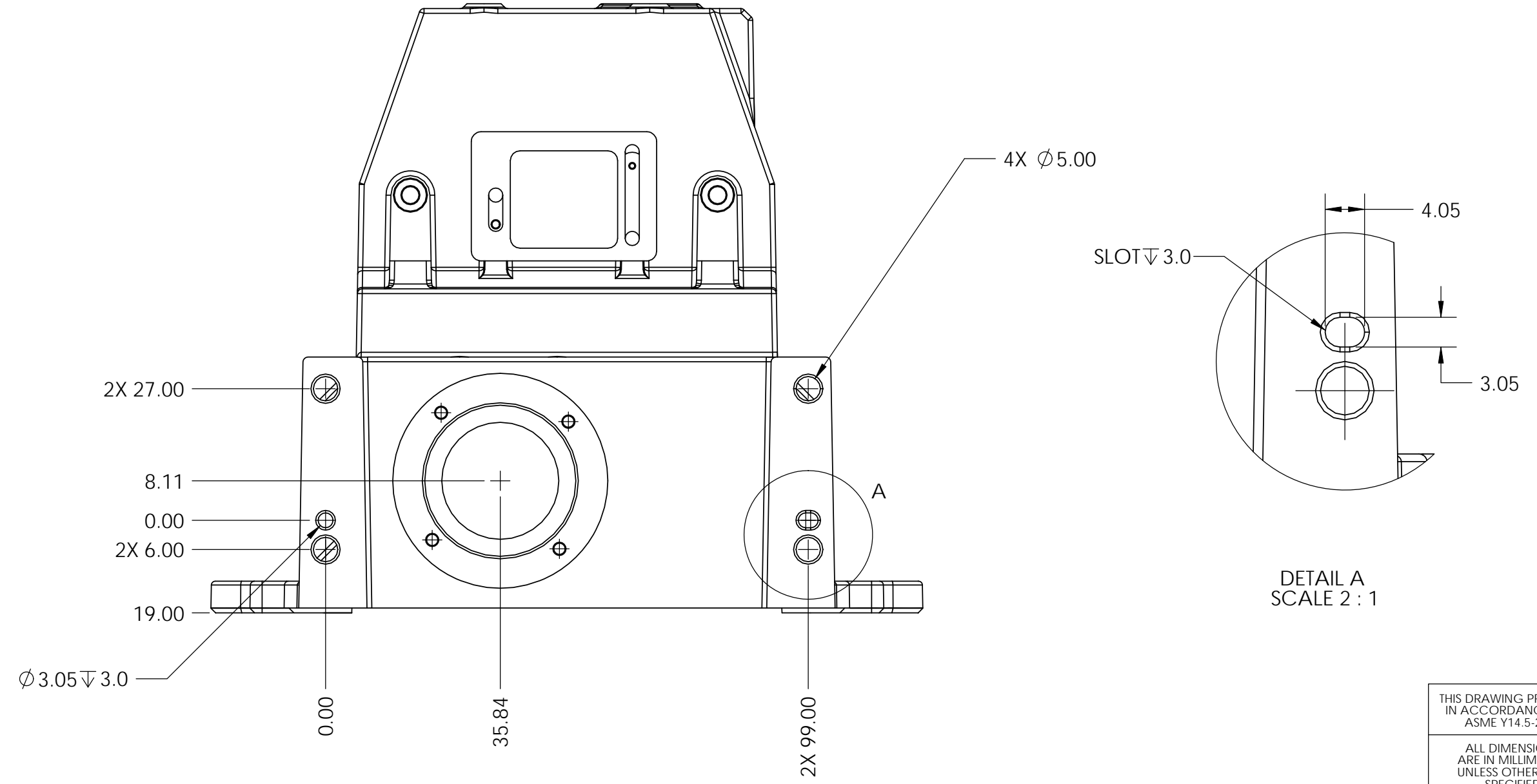


8 7 6 5 4 3 2 1

REVISIONS			
REV.	ECO NUMBER	DESCRIPTION	DATE
A	C029697	INITIAL RELEASE	01.27.11

NOTES:

- DO NOT SCALE DRAWING
- 3D CAD GEOMETRY IS AVAILABLE, CONTACT LOGIC PD
- CHAMFERS SHOWN ON HOLES AND SLOTS, REFERENCE ONLY



DETAIL A  
SCALE 2 : 1

THIS DRAWING PREPARED  
IN ACCORDANCE WITH  
ASME Y14.5-2000

ALL DIMENSIONS  
ARE IN MILLIMETERS  
UNLESS OTHERWISE  
SPECIFIED

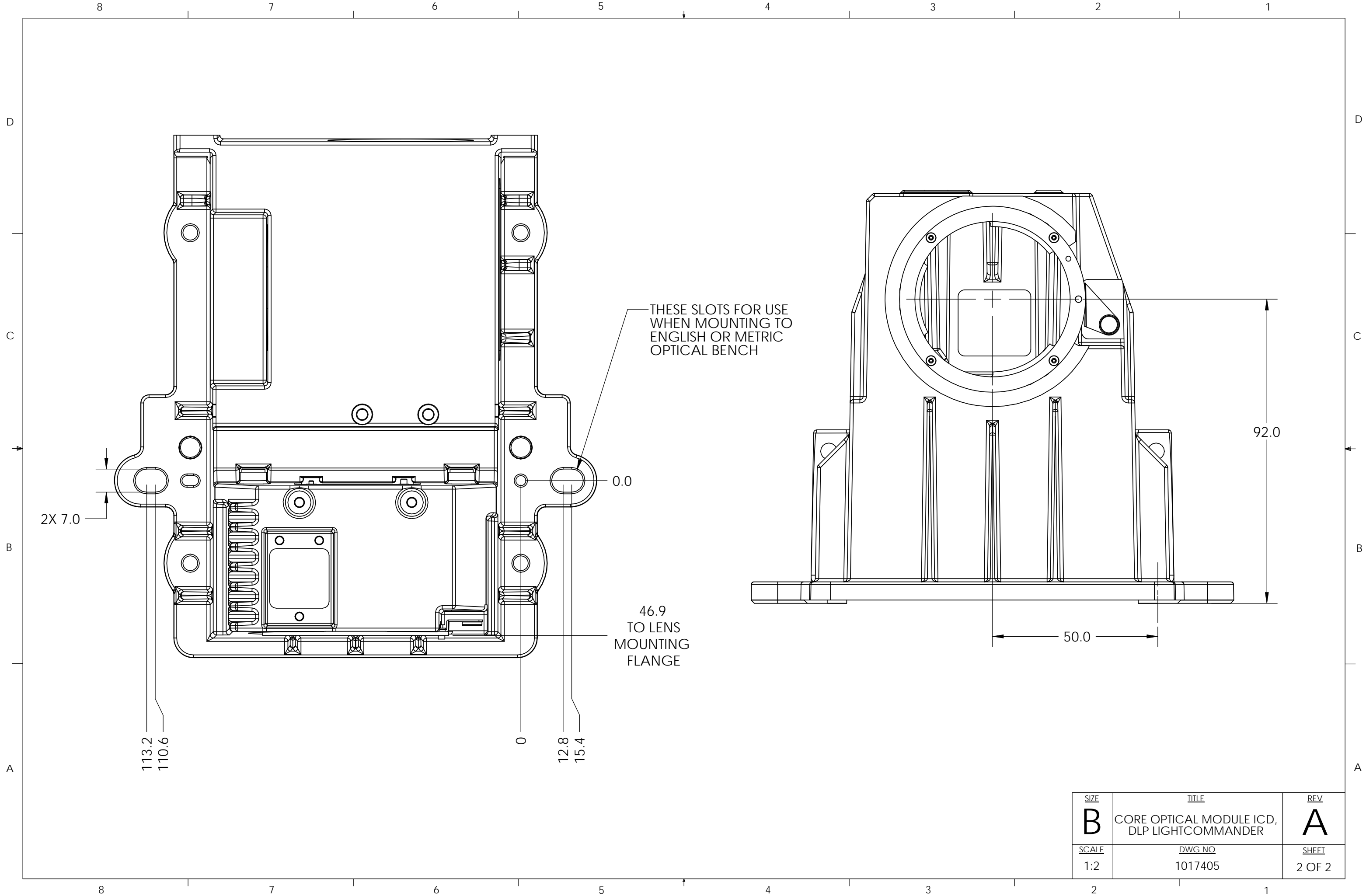
TOLERANCES UNLESS  
OTHERWISE SPECIFIED

X	± .5
X.X	± 0.2
X.XX	± 0.1
X°	± 1°

THIRD ANGLE PROJECTION

ENG KAG	DATE 01.27.11		SIZE <b>B</b>	TITLE CORE OPTICAL MODULE ICD, DLP LIGHTCOMMANDER	REV <b>A</b>
CHECK JPS	DATE 01.27.11		SCALE 1:2	DWG NO 1017405	SHEET 1 OF 2
MGR PMH	DATE 01.27.11	411 WASHINGTON AVE. SUITE 400 MINNEAPOLIS, MN 55401 T: 612.672.9495 F: 612.672.9489 I: WWW.LOGICPD.COM			
MANF	DATE				

8 7 6 5 4 3 2 1



THESE SLOTS FOR USE  
WHEN MOUNTING TO  
ENGLISH OR METRIC  
OPTICAL BENCH

46.9  
TO LENS  
MOUNTING  
FLANGE

<u>SIZE</u> <b>B</b>	<u>TITLE</u> CORE OPTICAL MODULE ICD, DLP LIGHTCOMMANDER	<u>REV</u> <b>A</b>
<u>SCALE</u> 1:2	<u>DWG NO</u> 1017405	<u>SHEET</u> 2 OF 2