

LINCOLN

®

LINCOLN'S NEW SSV-D METERING DEVICE

- Single-block progressive metering device now with adjustable outputs
- Wide range of adjustment ensures efficient lubrication at each bearing
- Metering screws enable easy adjustment without the removal of segments
- Easy to readjust after installation

SYSTEM FEATURES

- The adjustable SSV-D divider blocks are available in standard sizes from six to 20 maximum outlets
- Metering screws are available in ten sizes from $.0049 \text{ in}^3$ ($.08 \text{ cm}^3$) to $.110 \text{ in}^3$ (1.8 cm^3) per outlet pair and stroke*
- High assurance of operation by proven Lincoln single-block progressive technology

* Required metering screws sold separately



**THE FIRST EASILY ADJUSTABLE
PROGRESSIVE METERING DEVICE**

SSV-D: Easy Adjustment of Lubricant Output with Lincoln Metering Screw Technology

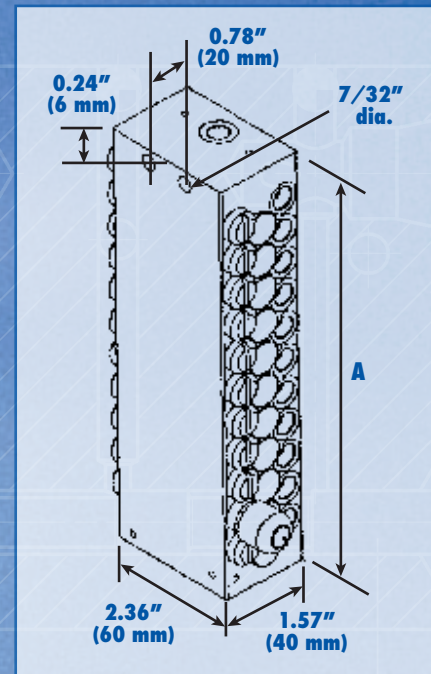
SSV-D metering devices are adjustable per outlet pair, thus enabling lubricant requirements to be better met. The metering occurs within the block via metering screws that are available in ten different outputs (sold separately).

The outputs of the progressive metering device can be easily set, even after installation. Simply put in a different size metering screw! Tedious reassembly of entire metering device segments is a thing of the past.

The SSV-D can be integrated into systems using standard SSV metering devices. Both metering device types also use the same components such as piston detector and outlet closure plugs.

System Specifications

Lubricant Output / Outlet Pair/Stroke:	Min. .0049 in ³ (.08 cm ³) Max. .110 in ³ (1.8 cm ³)
Construction Material:	Carbon Steel
Max. Operating Pressure:	5076 psi (350 bar)
Lubricant Inlet:	1/8" NPTF (F)
Outlet Connection:	M 10 x 1
Operating Temperature:	-13°F to 158°F (-25°C to 70°C)



SSV-D Divider Blocks

Model No.	Max. No. of Outlets	Visual Cycle Indicator Pin	Dimen. A in/mm	No. of Req'd. Metering Screws
649-29535-1	6	No	2.75/70	3
649-29545-1		Yes		
649-29536-1	8	No	3.35/85	4
649-29546-1		Yes		
649-29537-1	10	No	3.94/100	5
649-29547-1		Yes		
649-29538-1	12	No	4.53/115	6
649-29548-1		Yes		
649-29539-1	14	No	5.12/130	7
649-29549-1		Yes		
649-29627-1	16	No	5.71/145	8
649-29635-1		Yes		
649-29628-1	18	No	6.3/160	9
649-29636-1		Yes		
649-29629-1	20	No	6.89/175	10
649-29637-1		Yes		

Metering Adjustment Screws

Model No. (Sold as Each)	Model No. (Bag of 12)	Output
303-16118-1	549-34254-1	.0049 in ³ 0.08 cm ³
303-16119-1	549-34254-2	.0085 in ³ 0.14 cm ³
303-16120-1	549-34254-3	.012 in ³ 0.2 cm ³
303-16121-1	549-34254-4	.018 in ³ 0.3 cm ³
303-16122-1	549-34254-5	.024 in ³ 0.4 cm ³
303-16123-1	549-34254-6	.037 in ³ 0.6 cm ³
303-16124-1	549-34254-7	.049 in ³ 0.8 cm ³
303-16125-1	549-34254-8	.061 in ³ 1.0 cm ³
303-16126-1	549-34254-9	.085 in ³ 1.4 cm ³
303-16127-1	549-34255-1	.110 in ³ 1.8 cm ³