

New

# HT5723

## 400V Fuse Holder



Scheduled release – January 2013

### Features

- Able to withstand use with fuses of up to 400V
- Convenience in connectability and design
- DIN rail or direct placement options available
- Easy connection with thick wiring
- Bolt installation provides stability



Not UL recognized

### Specifications

HT5723	
Rated voltage	400V
Rated current	100A ※1
Applicable wires	MAX 38mm <sup>2</sup> or AWG#1 (M8)
Installation method	On DIN rail or direct placement
Insulation resistance	1000M Ω
Withstand voltage	AC2500V, 50/60Hz, For 1 minute
Material	PBT

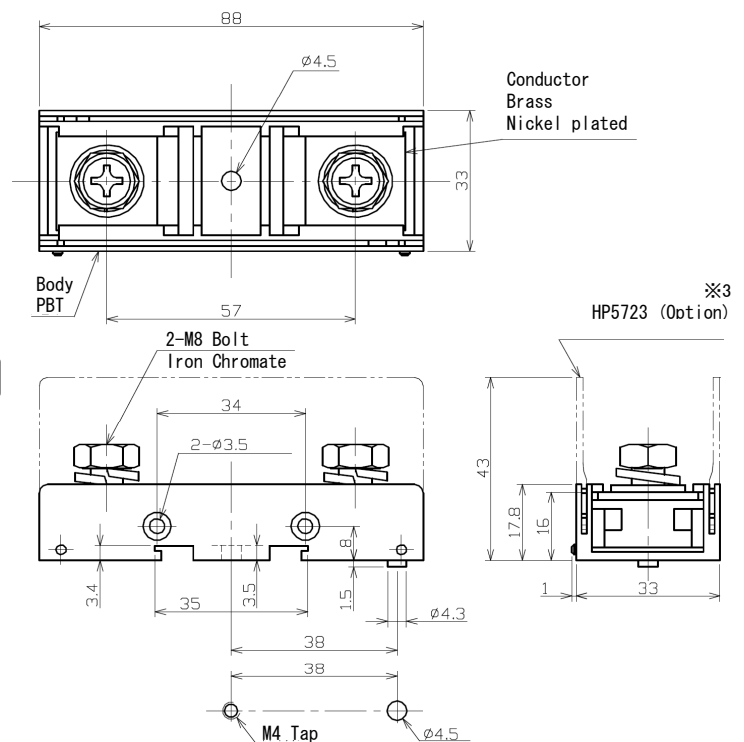
※1: Capable of carrying continuous current

### Applicable fuses

Type	Rated voltage	Rated current ※2
350GH-125UL	AC380V DC400V	125A
350GH-160UL		160A
350GH-200UL		200A
250GH-250UL	AC/DC250V	250A

※2: Should be used within the specifications of the fuse holder.

### Dimensions (mm)



※3: HP5723 (option) is under development.

For inquiries, please contact our sales department at;  
Tel: 03-3860-8661 Fax: 03-3860-8660 E-mail: [uketsuke@hinodedenki.co.jp](mailto:uketsuke@hinodedenki.co.jp)

All specified data in this leaflet is based on available information at the time of publication, and the products and/or specifications may be subject to change without notice.

We recommend that all our customers check the latest product information on our web site (<http://www.hinodedenki.co.jp>) as well as contacting us before placing orders.

Topics No T12-10