

# 125SPF1000S

Fast acting fuse — For protection of semiconductor devices

## Features



## Specifications

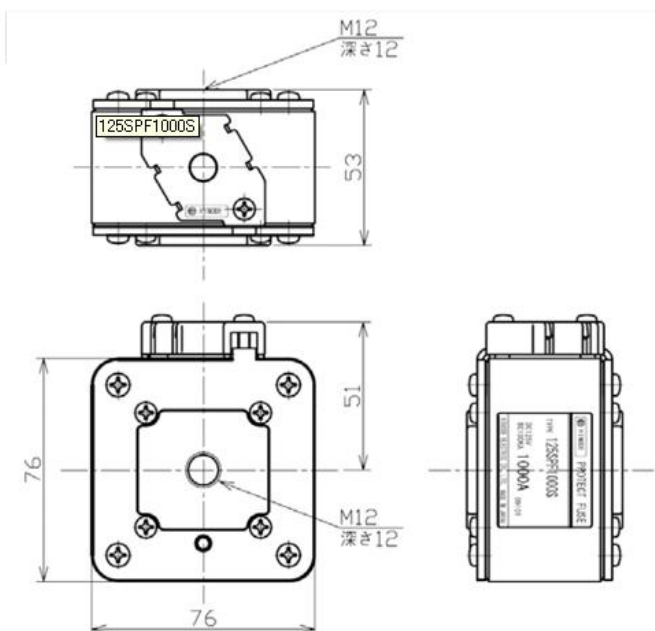
Rated voltage : 125V AC/DC

Breaking capacity: AC125V-100kA/DC125V-100kA (L/R=10ms)

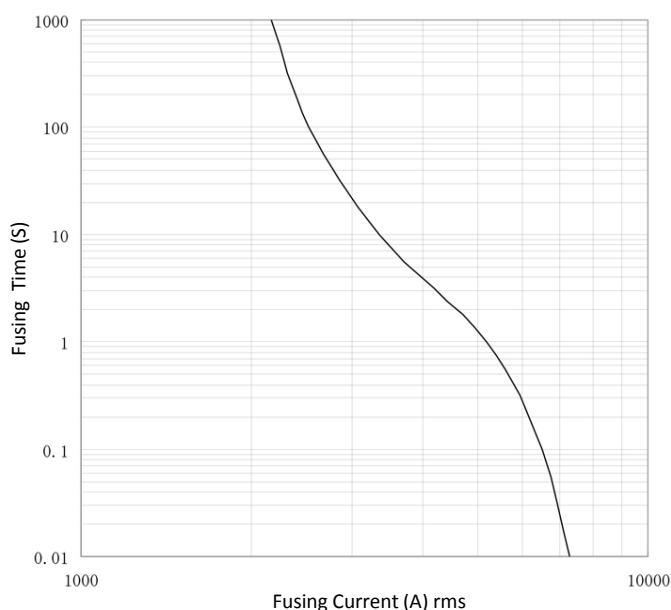
Type	Rated Amperage (A)	Fusing $I^2t$ ( $\times 10^3 A^2S$ )	Shutdown $I^2t$ at AC125V-100kA ( $\times 10^3 A^2S$ )	Power Loss (W)
125SPF1000S	1000	130	300	80

※ Based on calculated values.

## Dimensions (mm)



## Fusing Characteristics



※ Based on calculated values.

For inquiries, please contact our sales department at;  
 Tel: 03-3860-8661 Fax: 03-3860-8660 E-mail: [uketsuke@hinodedenki.co.jp](mailto:uketsuke@hinodedenki.co.jp)

All specified data in this leaflet is based on the information at the time of publication, and the products and/or specifications may be subject to change without notice.  
 We recommend that all our customers check the latest product information on our web site ([http:// www.hinodedenki.co.jp](http://www.hinodedenki.co.jp)) as well as contacting us before placing orders.