

## 4.9 DIGITAL OPERATOR FUNCTIONS

The VS-626VM3 supports the multi-functional display operator, and enables the following:

① Display of control signal status

Status of control signals of individual parts is displayed to monitor the status of operation. For the display items, see Table 4.2.

② Display and setup of control constants

Control constants must be set up for normal operation according to the specifications. Tables 13.4 to 13.6 list the control constants.

③ Display of activated protective functions

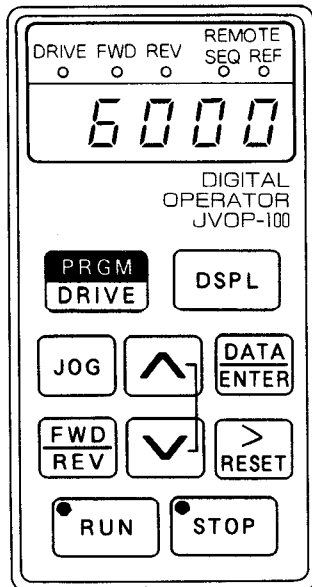
Protective functions activated when an error occurs during operation are displayed. Table 4.3 lists the protective functions. Nothing is displayed when operation is normal.

④ Operation by the digital operator

Stand-alone operation without sequence input signals and speed reference is possible using the digital operator. For details of the operation, see Par. 8.1, "Stand-alone Operation by Speed Control with Digital Operator."

Fig. 4.27 shows the display unit and manipulation keys of the digital operator (JVOP-100).

Fig. 4.28 shows the tree of display items.



Key	Function
	<ul style="list-style-type: none"> <li>• Emergency stop key for the digital operator.</li> <li>• No operation in other modes of operation.</li> </ul>
	<ul style="list-style-type: none"> <li>• When an item is displayed: Changes the display item.</li> <li>• When data are displayed: Changes to item display.</li> </ul>
	<ul style="list-style-type: none"> <li>• When an item is displayed: Changes to data display.</li> <li>• When data are displayed: Writes the data to NVRAM.</li> </ul>
	<ul style="list-style-type: none"> <li>• Selects values and item numbers to be set up.</li> <li>• Updates te error occurrence sequence.</li> </ul>
	<ul style="list-style-type: none"> <li>• Resets an error. (Effective only when error display is on.)</li> <li>• Shift of selected column. (blinking at a currently selected column.)</li> </ul>
	<ul style="list-style-type: none"> <li>• Operation reference</li> </ul>
	<ul style="list-style-type: none"> <li>• Stop reference</li> </ul>
	<ul style="list-style-type: none"> <li>• Selects a rotation direction</li> </ul>
	<ul style="list-style-type: none"> <li>• Jogging operation</li> </ul>

Fig. 4.27 Display Unit and Keys of the Operator

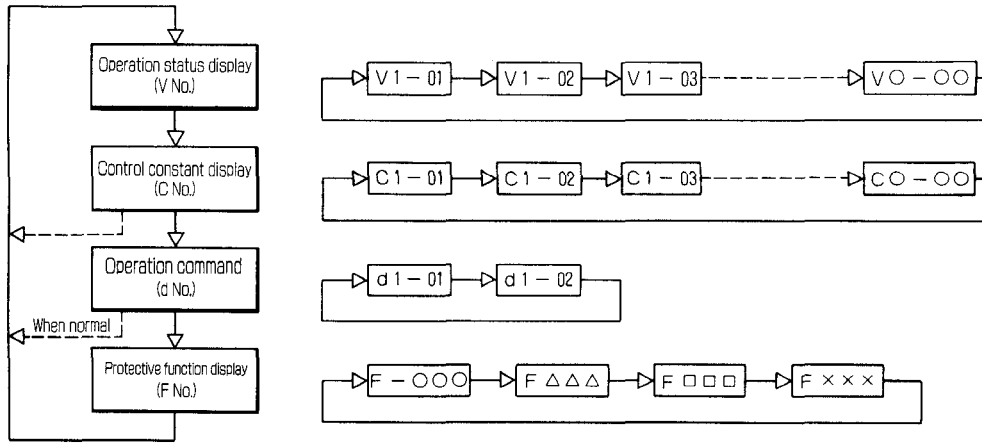


Fig. 4.28 Tree of Display