

# VS-626M5 Parameter Upload/Download Software User's Manual (Preliminary)

5/18/99

## Computer Requirements

The following hardware and software are required to run the M5 Parameter Upload/Download software.

Hardware (all of the following)

- \* IBM-PC compatible computer with a Pentium class processor or higher
- \* 8MB or more of RAM, 16MB recommended
- \* Hard disk with 5MB of available storage space
- \* VGA or higher resolution display
- \* Mouse
- \* One serial port available
- \* UWR00288 (M5 interface communication cable)

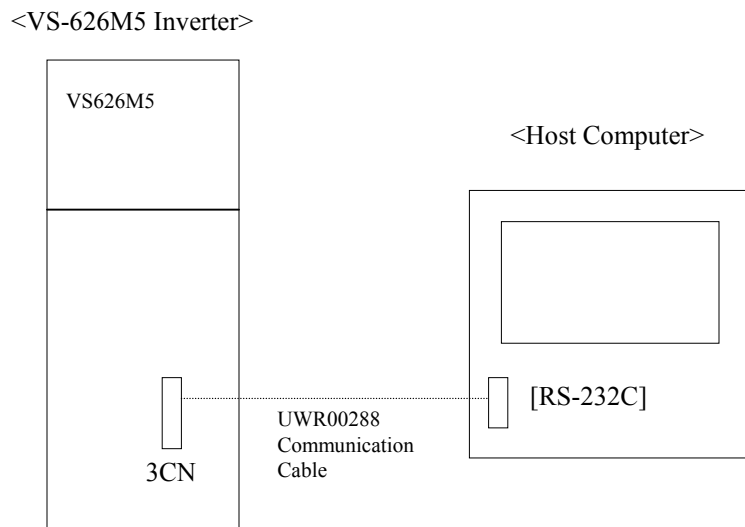
Software (one of the following)

- \* Microsoft Windows 95, 98, NT

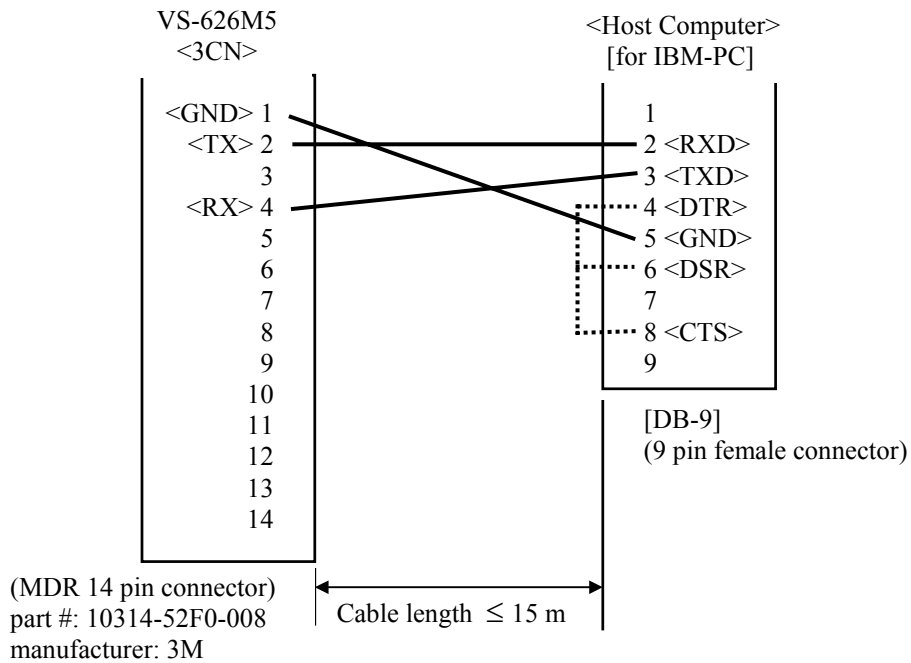
## Preparation

(1) Connect the M5 drive and the PC via UWR00288 communication cable, as shown.

### System Configuration



### UWR00288 Communication Cable: Connectors and Cable Connection



### Data Transfer Format

Baud Rate = 2400 bps  
 Data Length = 8 bit  
 Start Bit = 1 bit  
 Stop Bit = 1 bit  
 Parity Check = None  
 X on Control = None

### How to Install the System

- (1) The following two disks are necessary to install the M5 support tool on your PC:
  - \* Disk #1
  - \* Disk #2
- (2) How to install the M5 support tool
  - Step 1) Start the program "Setup" (59KB, application file) on Disk #1.
  - Step 2) Wait for a moment
  - Step 3) A "Welcome" screen will show up. Select "Next".
  - Step 4) Choose a folder to save the program into. (Either new or existing folder can be used).
  - Step 5) It will display "Setup Needs The Next Disk". When this is shown, select Disk #2 by using Browse function.

Step 6) If you want an icon to show up on the Windows screen, select “OK” when a message “Add short cut icon on your desktop” is displayed.

Step 7) Select “Finish” when “Setup Complete” message is shown.

Step 8) Installation is complete.

### **Starting the Program**

(1) Connect the M5 and the computer (IBM-PC) with a cable as shown in Figure 1.

(2) To start the M5 Parameter Upload/Download Software, double click on the “M5St” icon.

(3) When the program is opened, a window with “Yaskawa Energy in Motion” will appear. The menu shows “File”, “Communication”, “Comparison”, and “Help”. The functions of each menu is as follows.

<b>Menu</b>	<b>Submenu</b>	<b>Function</b>
File	Open	Open an existing parameter setting file by editor.
	1. (file name) 2. (file name) 3. (file name) 4. (file name)	File names of the last four files that are opened. Selecting one of them will open the file.
	Exit	Exit from the program
	Communications	Download to M5
Communications	Upload from M5	Upload parameters from M5 and save them into a file, and show on editor.
	Settings	Selection of the communication port
	Comparison	Show Differences
Comparison	Show All	Show the parameter settings of two files
	Help	Help screen (not available yet)

### **How to Upload to M5**

(1) Select “Upload from M5” under “Communication” menu.

(2) Type in a new file name and click OK. (The uploaded parameter values will be stored in this file.)

(3) The uploading process will take about 30~90 seconds (depends on the PC).

(4) After successful uploading, the editor screen will appear with the uploaded parameter values.

### **How to Modify a File (Setting of Parameters)**

(1) To modify a file, you must be in the editor. To be in the editor screen, you can either upload parameters (refer to the previous section), or open a file by choosing “Open a file” menu and then click on an existing file name.

(2) The editor screen appears as shown in Figure ?. Parameters are displayed in different folders, such as C1 Group (user parameters) and C2 or C3 Group (encoder or magnetic sensor orientation parameters). Click on the folder label to display the desired parameter group.

Note: On the editor screen, only one of the C2 or C3 parameter group folders is displayed (not both), depending on the orientation setting parameter (C1-39 bit 0):

When C1-39 bit 0 = 0: C2 parameters (encoder orientation) are displayed

When C1-39 bit 0 = 1: C3 parameters (magnetic sensor orientation) are displayed

(3) Modify the parameter values under the “Value” column. When changed, the letter will become bold type to let the user know the value has been changed.

(4) When all the desired changes are made, click on “Save As” box. Save the new setting list as a new file.

### **How to Download to M5**

(1) Select “Download to M5” under “Communication” menu.

(2) Select a parameter file you want to download to M5. Click OK to start downloading.

(3) The downloading process will take about 30~90 seconds (depends on the PC). After completion, a prompt “download successfully” will appear.

(4) Cycle the power (power off and then on) of M5 to activate the parameter change.

### **How to Verify the Difference between Two files**

This software allows you to compare the difference in parameter setting between two files. You can see only the parameters with different setting, or show all the parameters.

(1) Select “Show Differences” or “Show All” under “Verify” menu.

(2) “Open File 1” window will pop up. Select the first file (File 1).

(3) “Open File 2” window will pop up. Select the second file (File 2) to be compared with the first file (File 1).

(4) If you have successfully chosen two files to compare, then a table showing the settings for each parameter will be created.

### **How to Use Help**

Help window is not developed yet and is not available.

### **How to End the Program**

(1) Select “Exit” under “File” menu.