

PARTS BOOK

This parts book has been prepared to assist you in ordering replacements and servicing parts for the OKUMA LR15 CNC Lathe.

Due to constant improvements in design, you may find slight variations from the machine delivered to you. This merely indicates that equipment improvements have been made to better meet your requirements.

ORDERING REPAIR PARTS

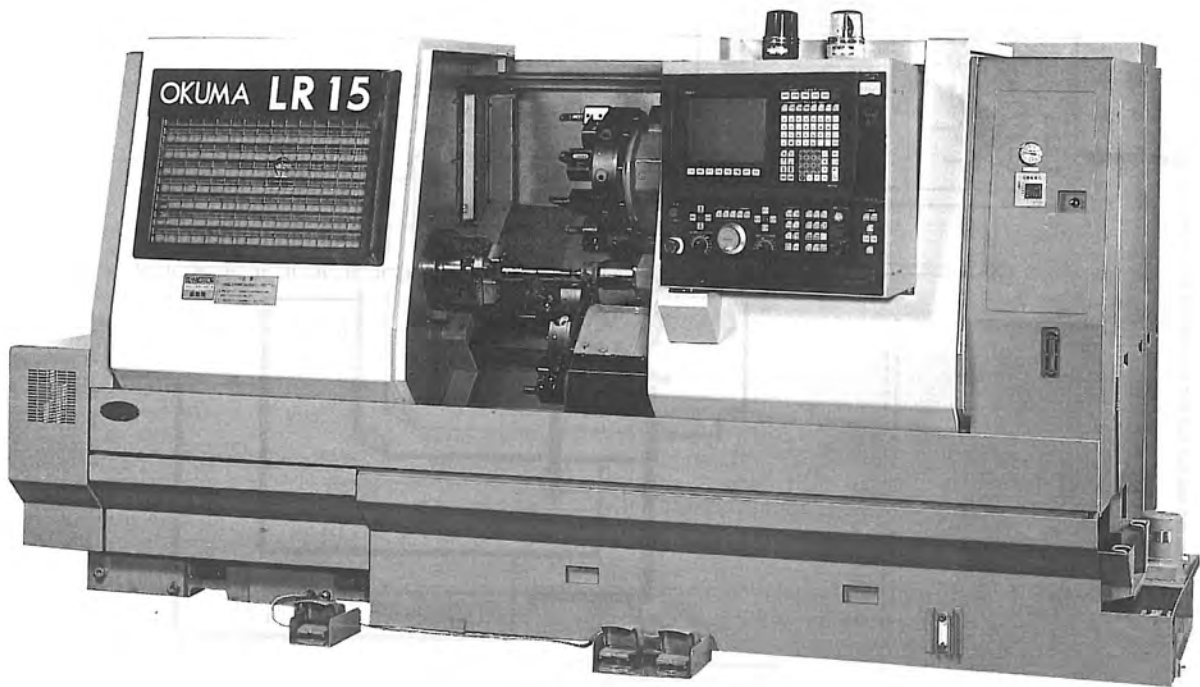
In order to obtain smooth and rapid service when ordering repair parts, please give careful attention to the following five instructions.

These FIVE requirements are essential:

1. GIVE COMPLETE SIZE, TYPE OF MACHINE AND CNC SYSTEM.
EX.: LR15 C-SERIES with OSP5020L.
2. GIVE COMPLETE SERIAL NUMBER OF MACHINE.
This serial number will be found stamped on the manufacturer's name plate attached to the machine.
3. GIVE PARTS BOOK PUBLICATION NO., SHEET NO., INDEX NO., PART NO., AND PART NAME (DESCRIPTION).
4. FOR ELECTRICALS, SPECIFY POWER VOLTAGE, FREQUENCY, RATING, BRAND NAME AND OTHER INFORMATION FOUND ON THE PART.
5. STATE QUANTITY WANTED.

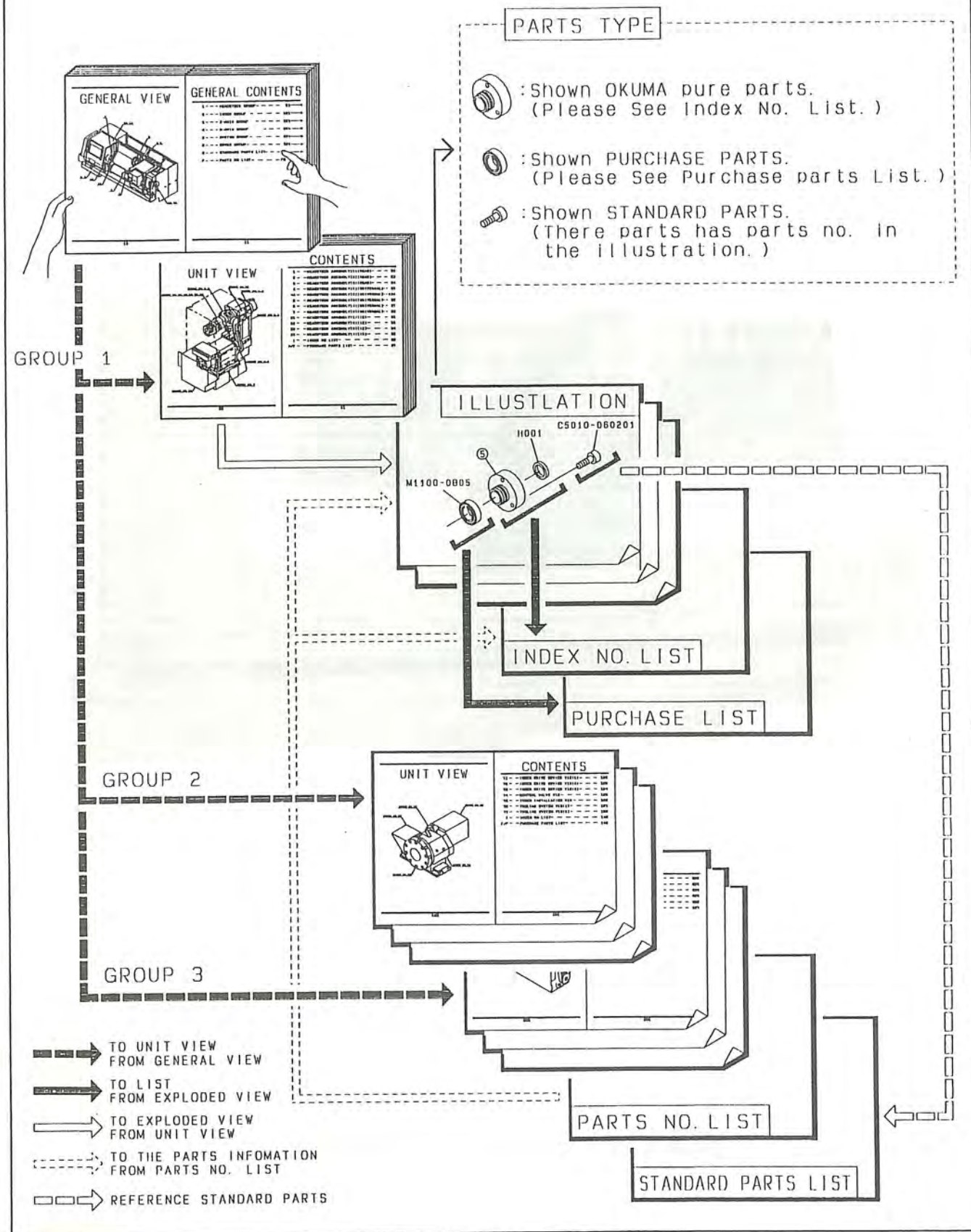
Note: LC/LR Series Model Designations

- 1S (w/o tailstock) = T-1S
- 2S (w/o tailstock) = T-2S
- 1S w/tailstock = C-1S
- 2S w/tailstock = C-2S

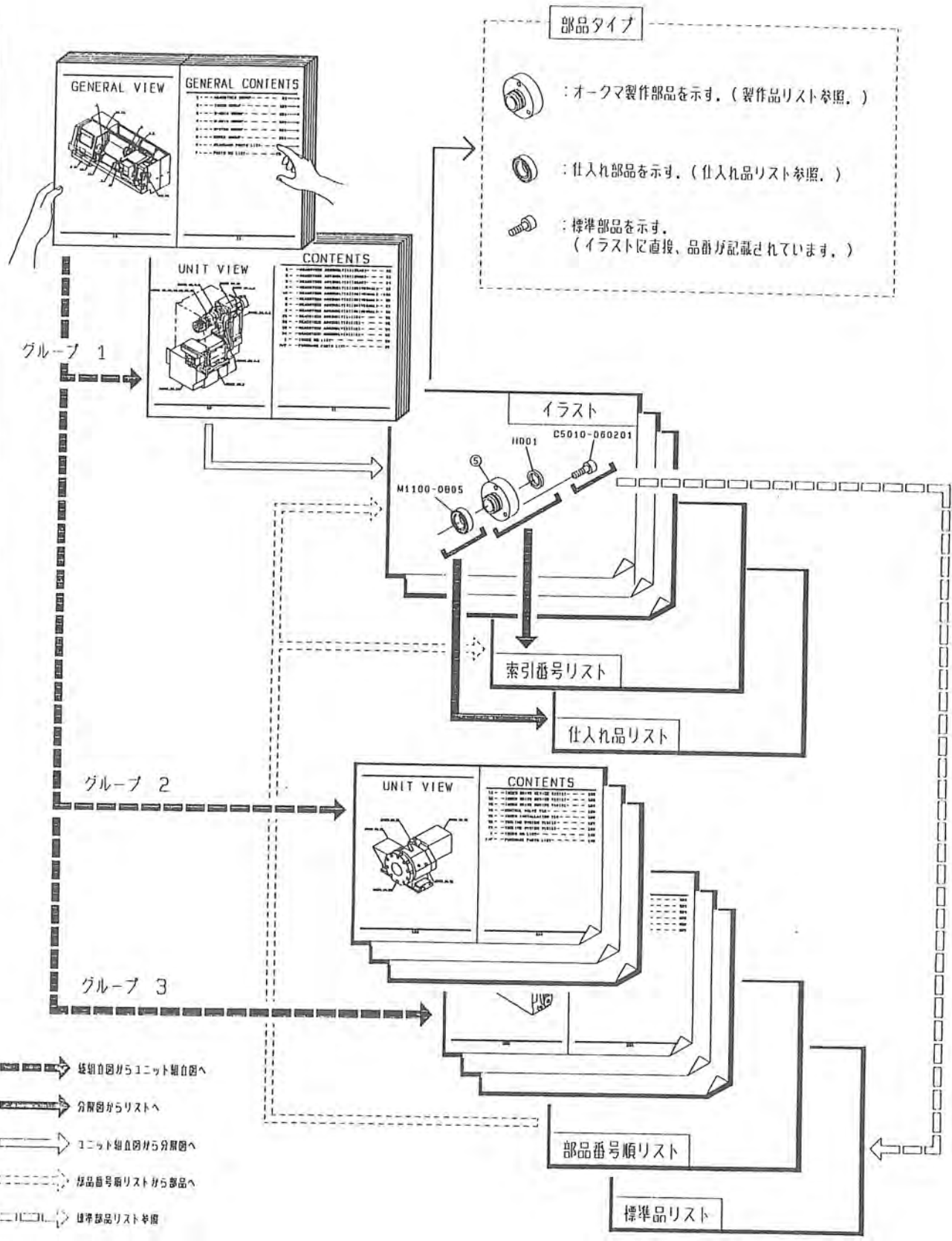


OKUMA LR15 CNC Lathe with OSP5020L




HOW TO USE THIS PARTS BOOK








パーツブックの使い方



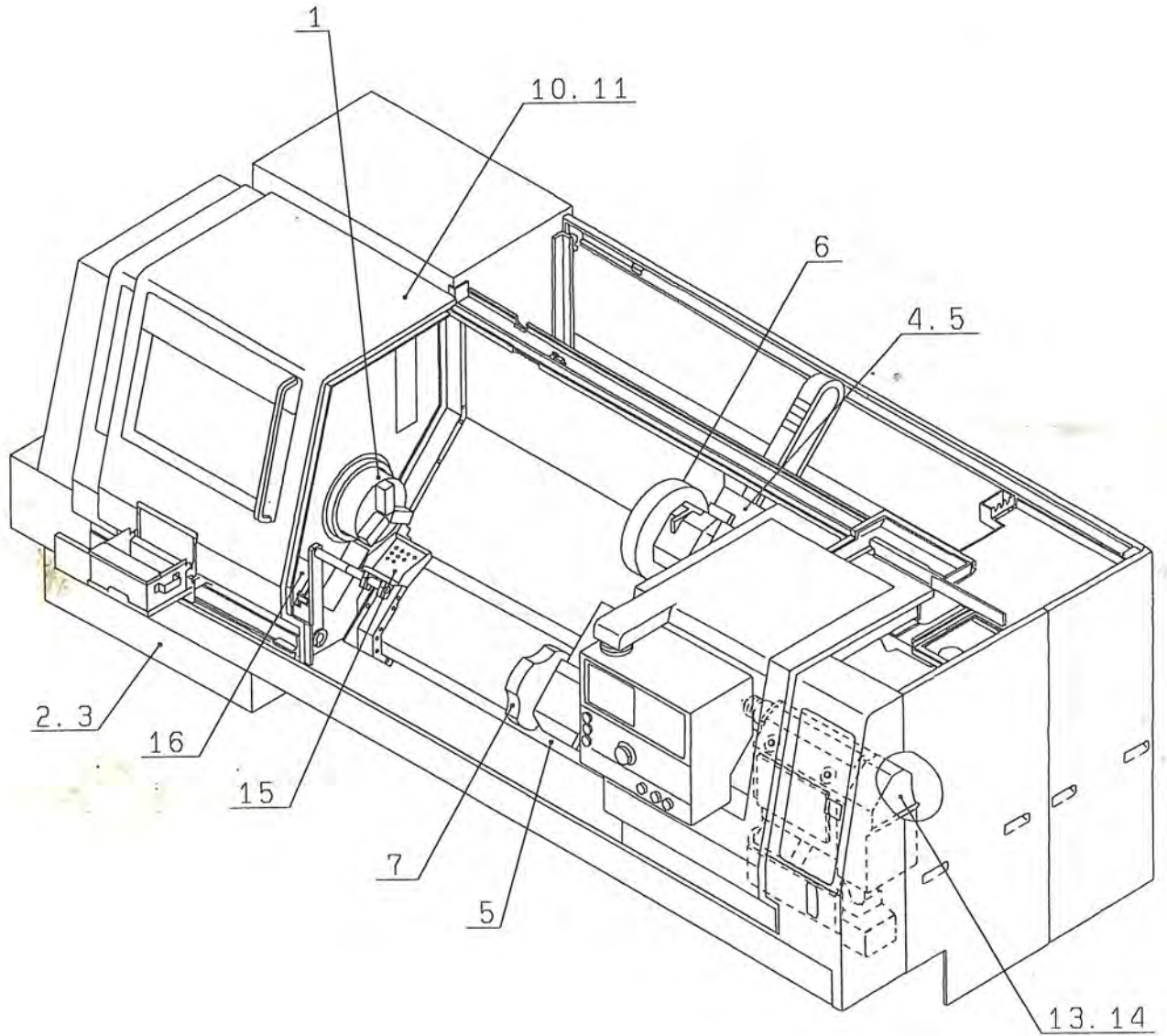
部品タイプ

-  : オークマ製作部品を示す。(製作品リスト参照。)
-  : 仕入れ部品を示す。(仕入れ品リスト参照。)
-  : 標準部品を示す。
(イラストに直接、品番が記載されています。)

-  経組立図からユニット組立図へ
-  分解図からリストへ
-  ユニット組立図から分解図へ
-  部品番号順リストから部品へ
-  標準部品リスト参照

LR15 25C/15C CNC LATHE

GENERAL VIEW



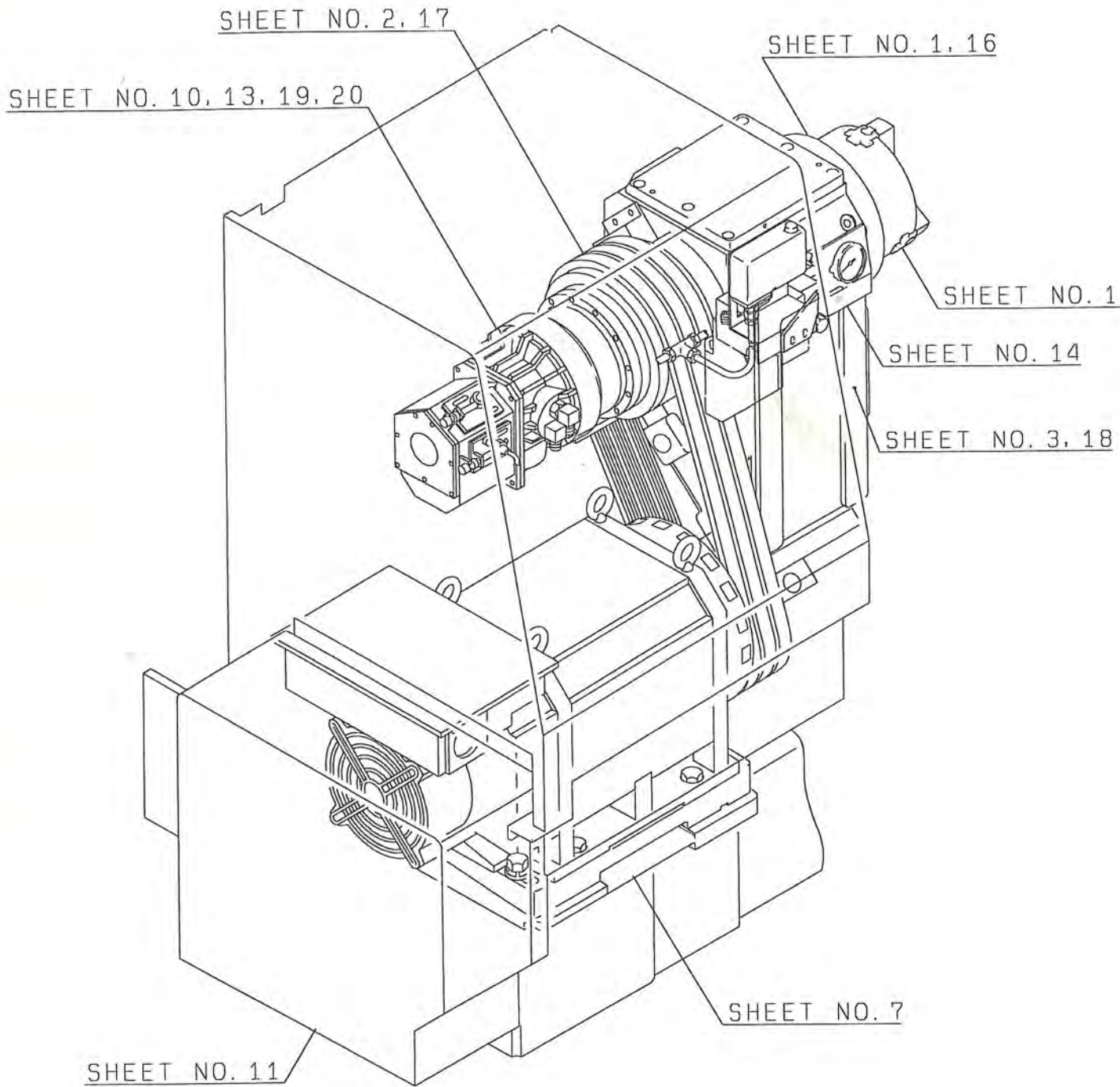
PARTS BOOK

LR15 (1SC 800, 2SC 600)

CNC LATHE

~ GENERAL CONTENTS ~

NO.	GROUP NAME	PAGE
1	HEADSTOCK GROUP	13
2	Z-AXIS GROUP (1SC 800)	71
3	Z-AXIS GROUP (2SC 600)	101
4	X-AXIS GROUP (1SC 800)	131
5	X-AXIS GROUP (2SC 600)	151
6	UPPER INDEX GROUP	181
7	LOWER INDEX GROUP (2SC 600)	231
8	PIPING GROUP (1SC 800)	261
9	PIPING GROUP (2SC 600)	301
10	COVER GROUP (1SC 800)	331
11	COVER GROUP (2SC 600)	371
12	SYSTEM GROUP	411
13	TAILSTOCK GROUP (1SC 800)	431
14	TAILSTOCK GROUP (2SC 600)	481
15	PARTS CATCHER GROUP	521
16	TOUCH SETTER GROUP	541
S	STANDARD PARTS LIST	S001
P	PARTS NO. LIST	P001



(1) HEADSTOCK GROUP

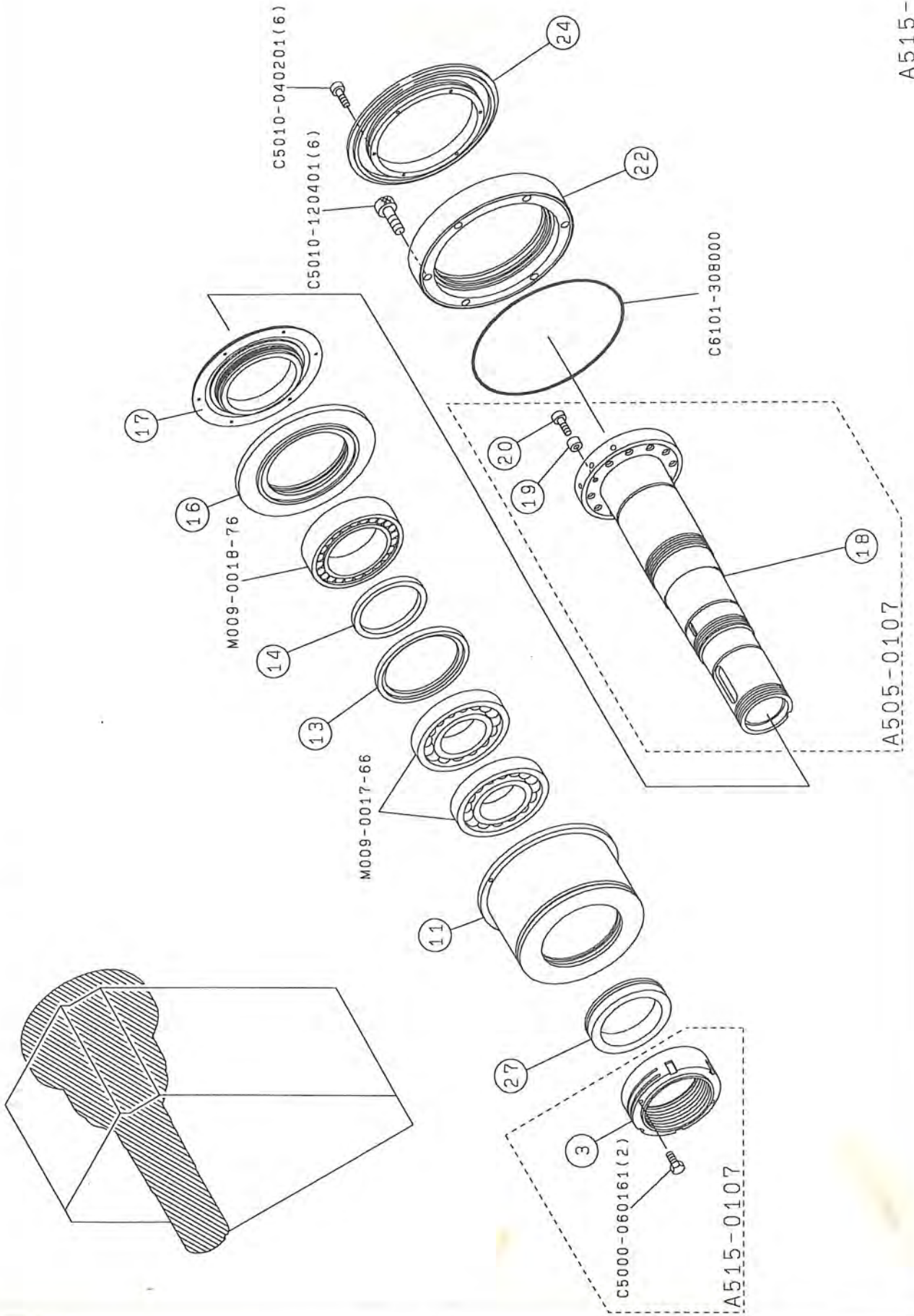
~ CONTENTS ~

SHEET NO.	ASSEMBLY NAME	PAGE
1	----- MAIN SPINDLE ϕ 100 (1) -----	14
2	----- MAIN SPINDLE ϕ 100 (2) -----	15
3	----- MAIN SPINDLE ϕ 100 (3) -----	16
7	----- MOTOR INSTALLATION 11/15/22KW -----	17
10	----- HYDRAULIC HOLLOW CHUCK, 8" (1) -----	18
11	----- HEADSTOCK COVERS -----	19
13	----- HYDRAULIC HOLLOW CHUCK, 8" (2) -----	20
14	----- MANIBLO CHUCK -----	21
15	----- HYDRAULIC HOLLOW CHUCK, 8" (3) -----	22
16	----- MAIN SPINDLE ϕ 120 (1) -----	23
17	----- MAIN SPINDLE ϕ 120 (2) -----	24
18	----- MAIN SPINDLE ϕ 120 (3) -----	25
19	----- HYDRAULIC HOLLOW CHUCK, 10" (1) -----	26
20	----- HYDRAULIC HOLLOW CHUCK, 10" (2) -----	27
I	----- INDEX NO. LIST -----	28
P/P	----- PURCHASE PARTS LIST -----	29

1

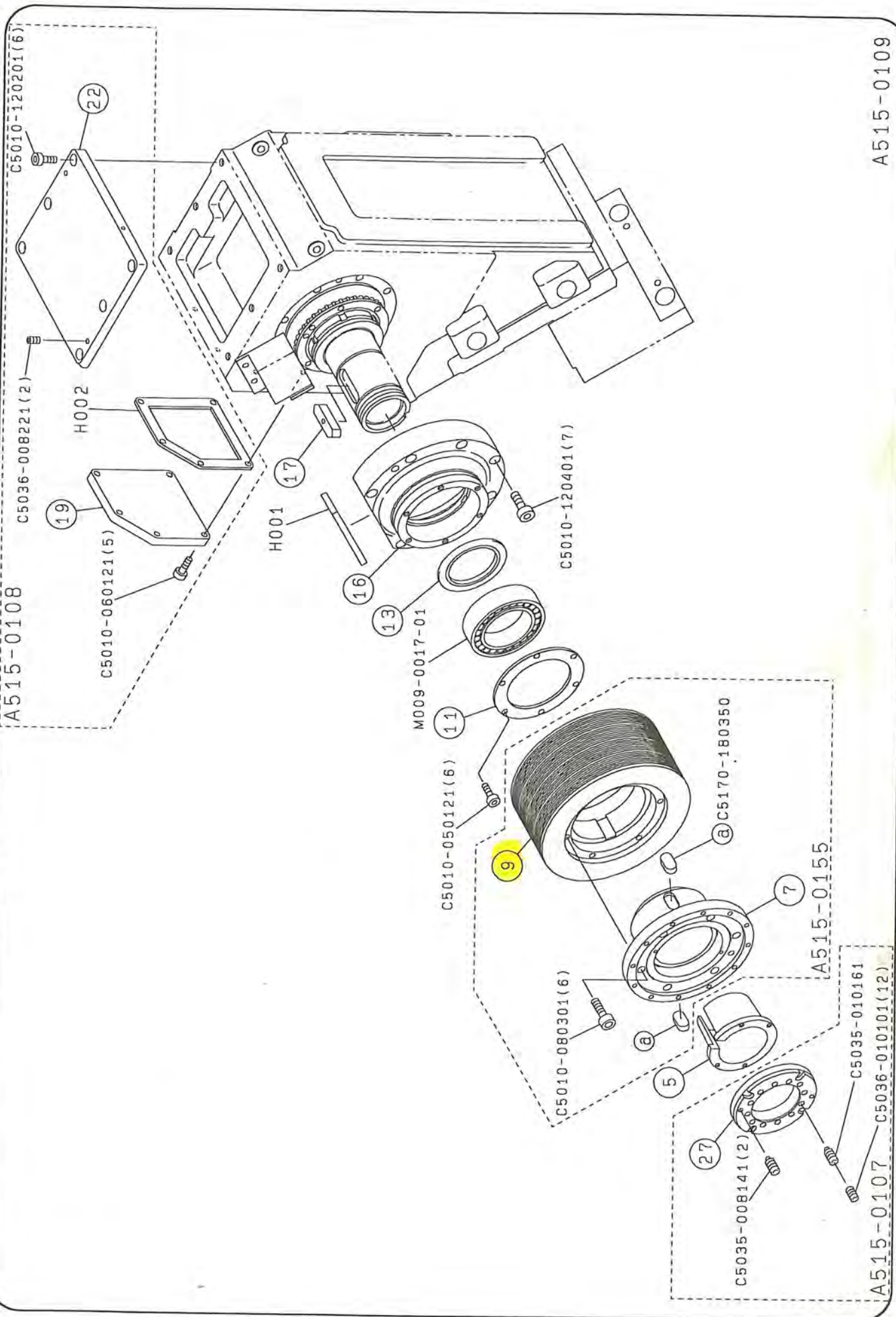
SHEET NO. 1 MAIN SPINDLE $\phi 100$ (1)

9205



SHEET NO.2 MAIN SPINDLE $\phi 100$ (2)

9205



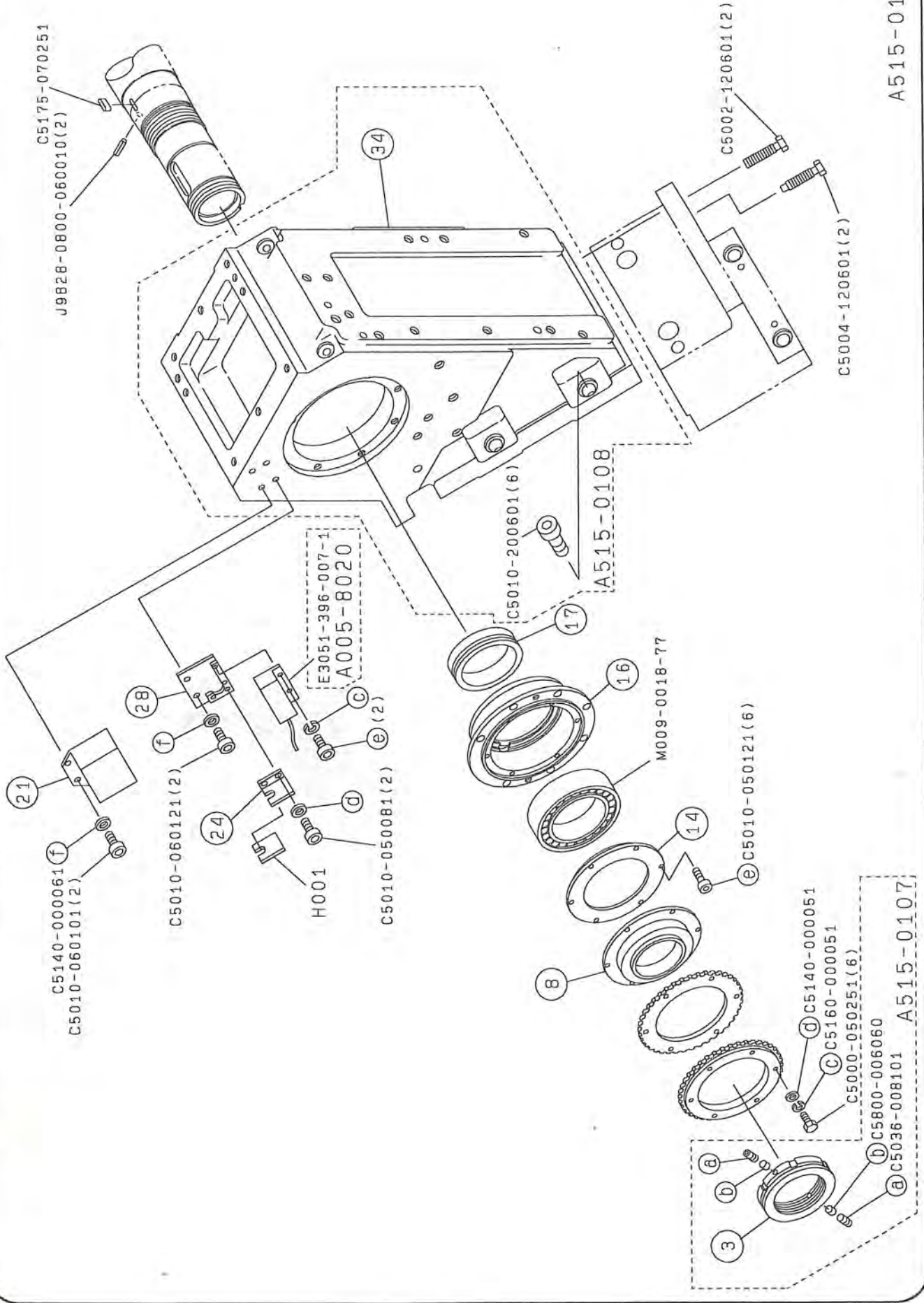
A515-0109

OKUMA Corporation

LR1525C/15C002

SHEET NO.3 MAIN SPINDLE $\phi 100$ (3)

9205



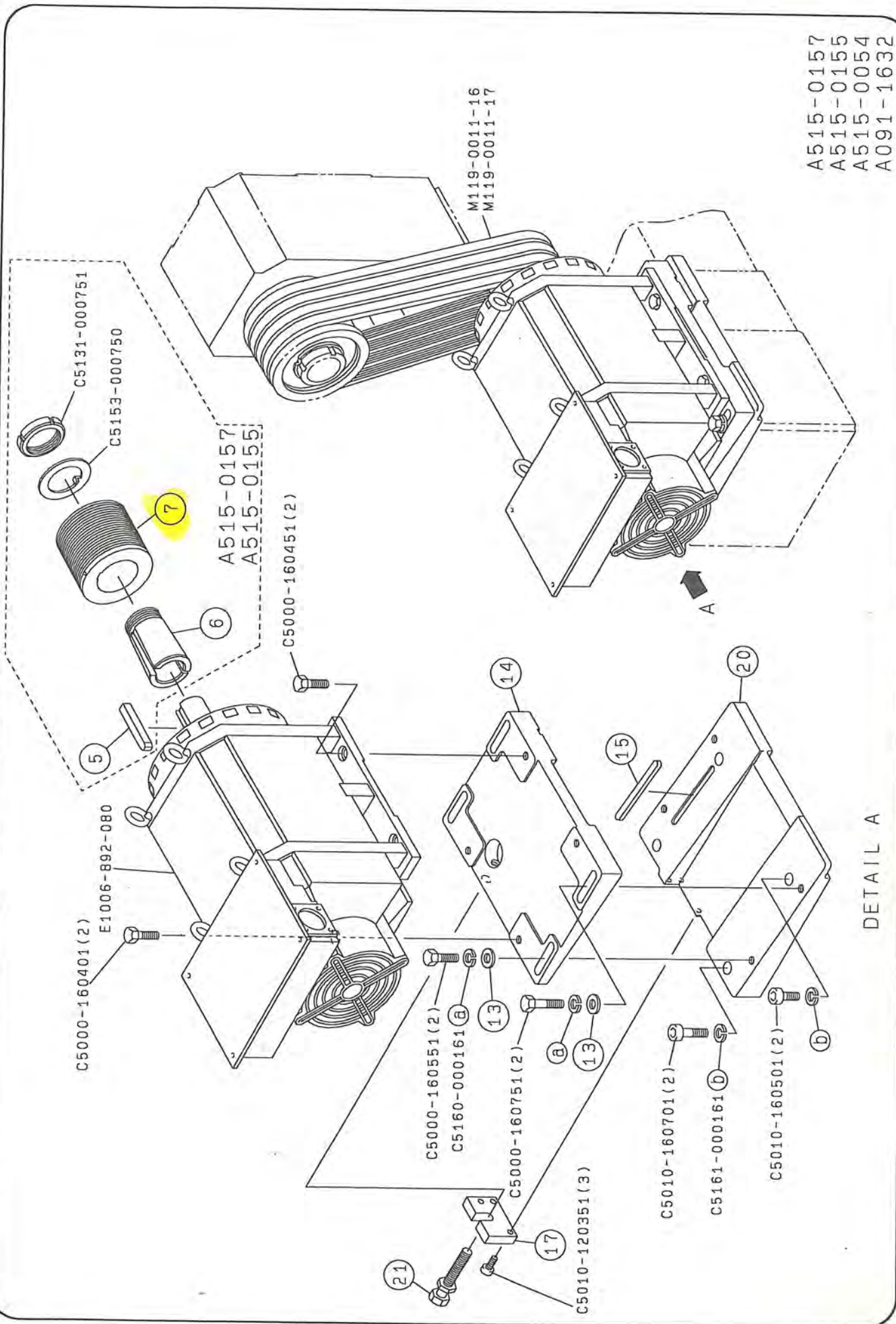
A515-0109

OKUMA Corporation

LR1525C/15C003

SHEET NO. 7 MOTOR INSTALLATION 11/15/22kW

9205



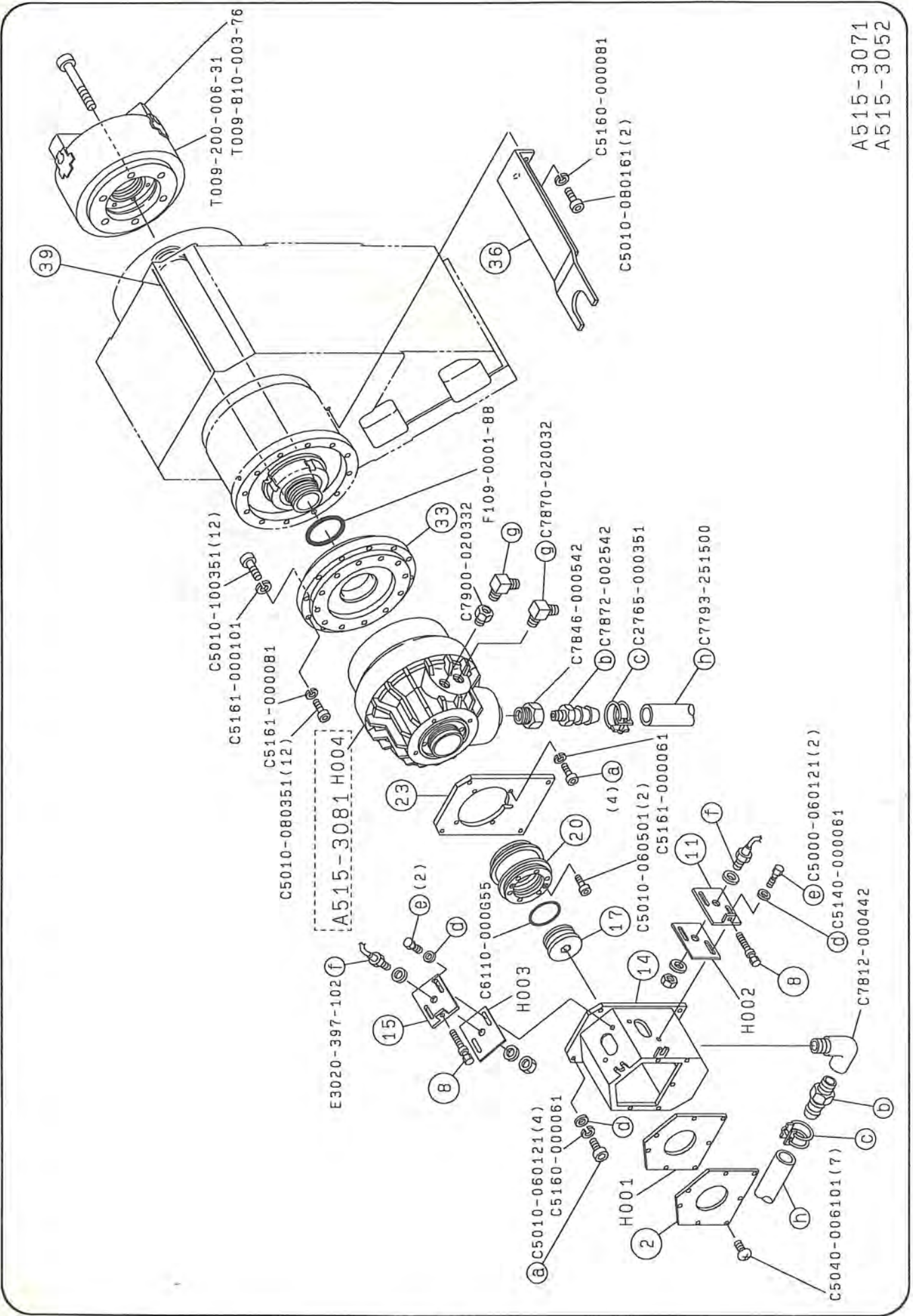
DETAIL A

OKUMA Coporatation

LR1525C/15C007

SHEET NO. 10 HYDRAULIC HOLLOW CHUCK, 8" (1)

9205



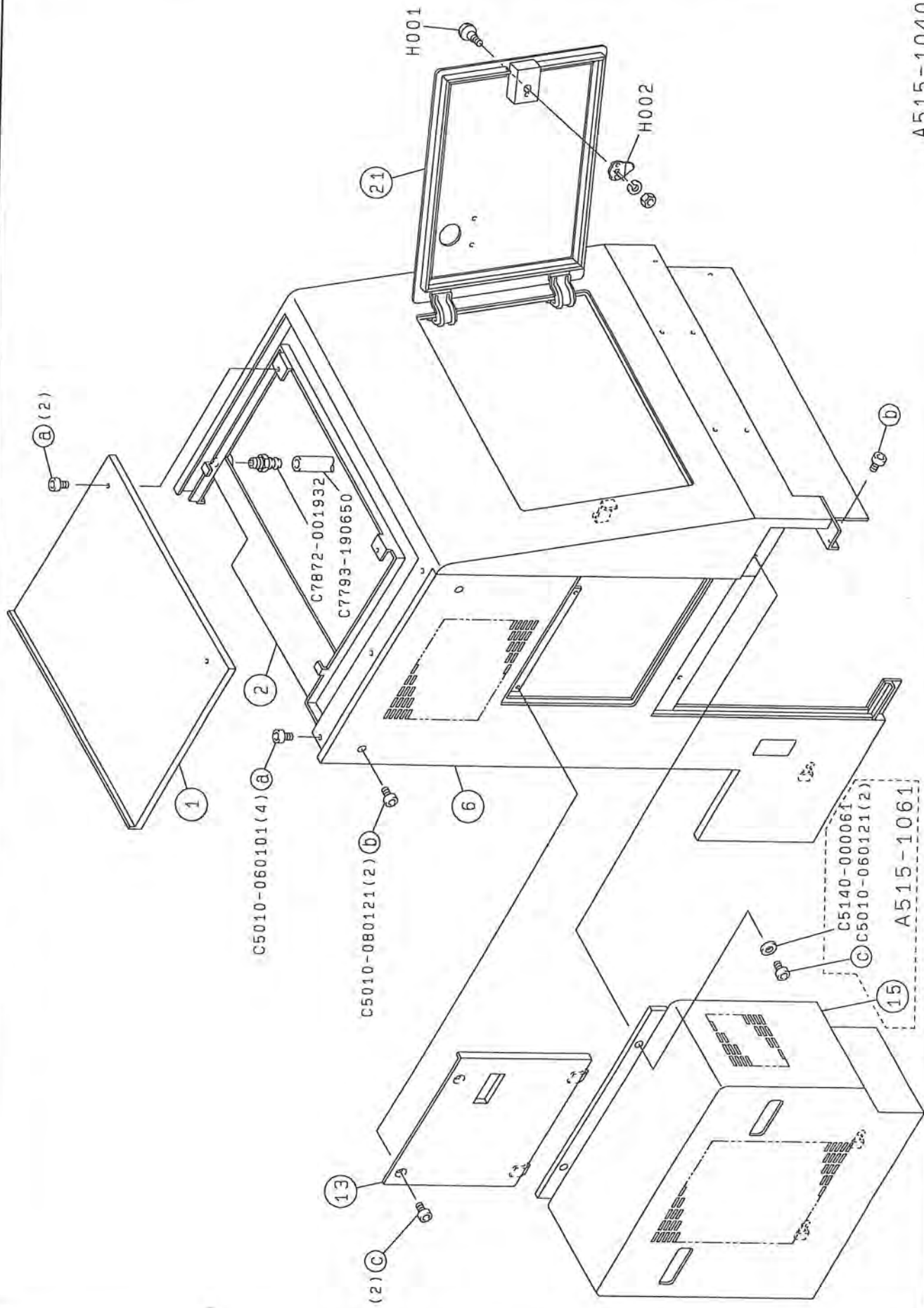
A515-3071
A515-3052

OKUMA Corporation

LR1525C/15C010

SHEET NO. 11 HEADSTOCK COVERS

9205



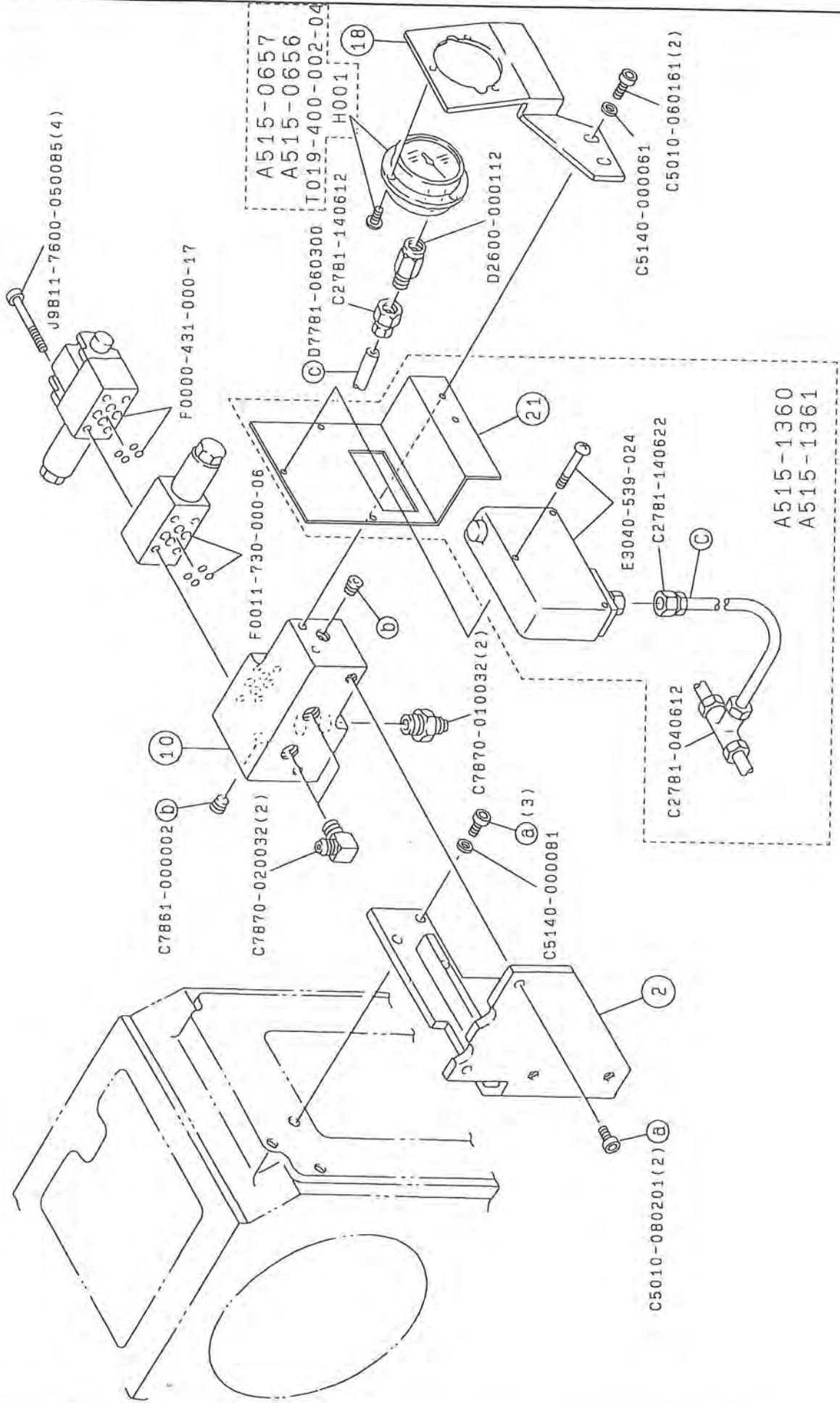
A515-1040

OKUMA Corporation

LR1525C/15C011

SHEET NO. 14 MANIBLO CHUCK

9205



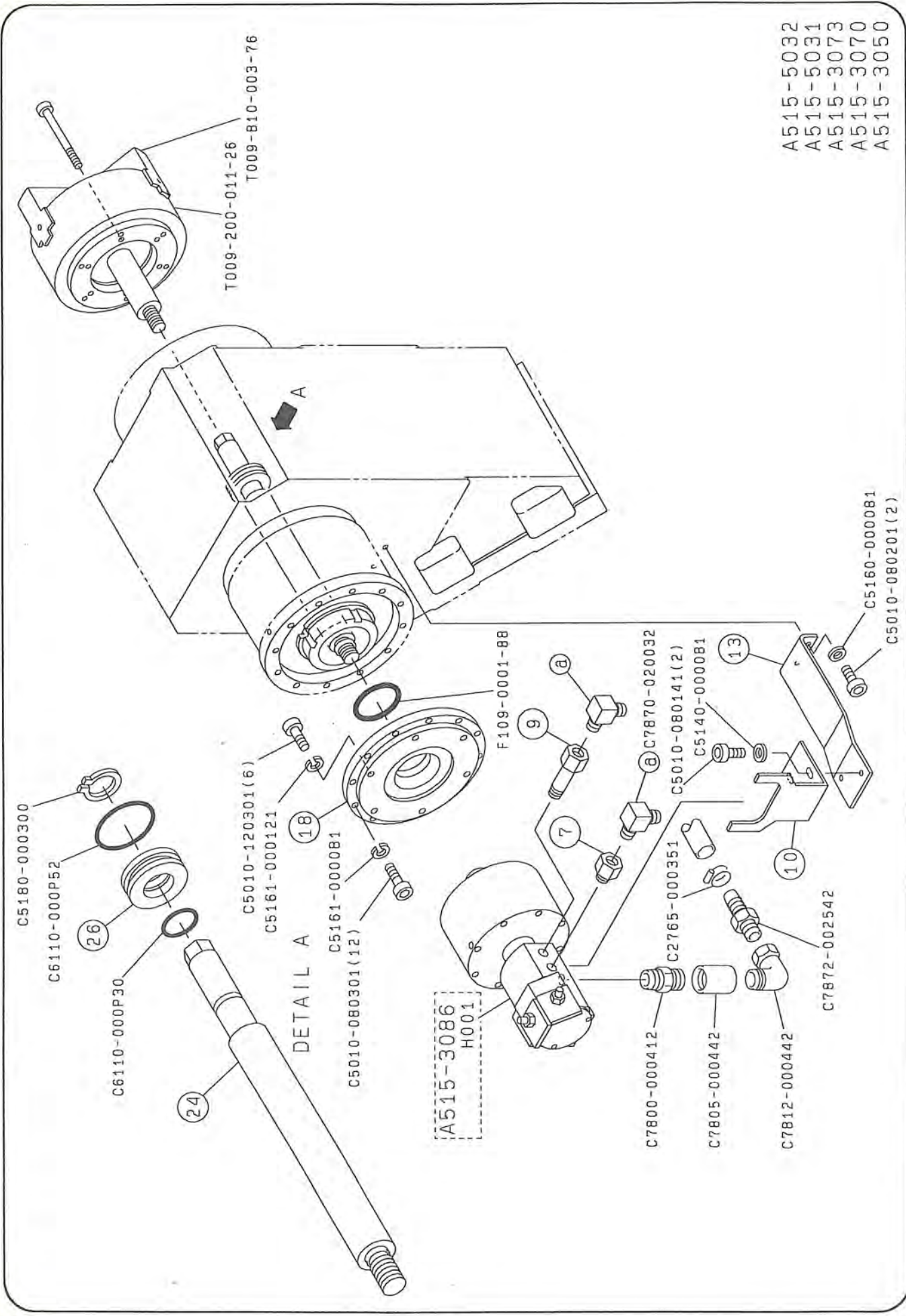
A515-0655

OKUMA Corporation.

LR1525C/15C014

SHEET NO. 15 HYDRAULIC HOLLOW CHUCK, 8" (3)

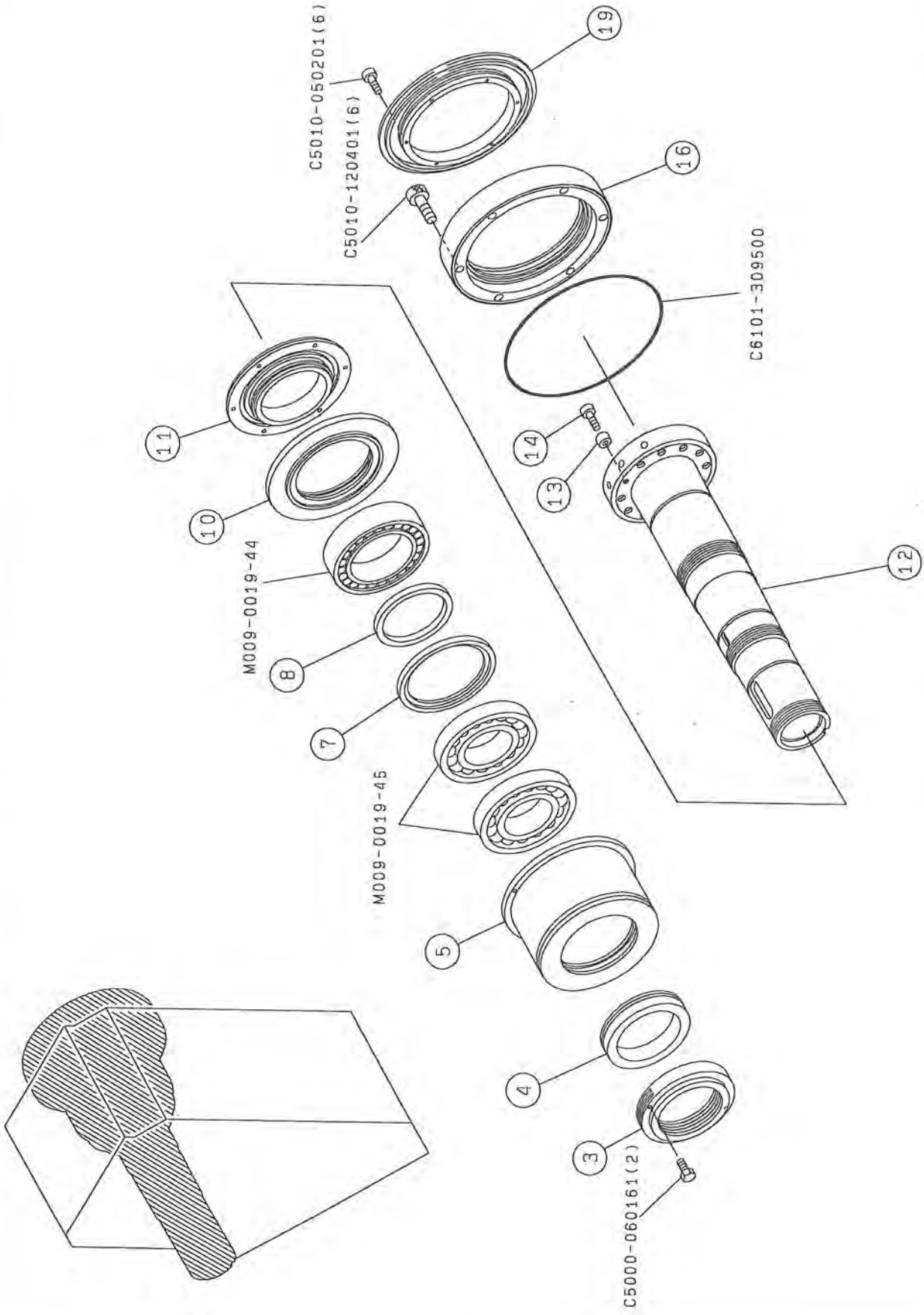
9205



- A515-5032
- A515-5031
- A515-3073
- A515-3070
- A515-3050

SHEET NO.16 MAIN SPINDLE $\phi 120$ (1)

9205



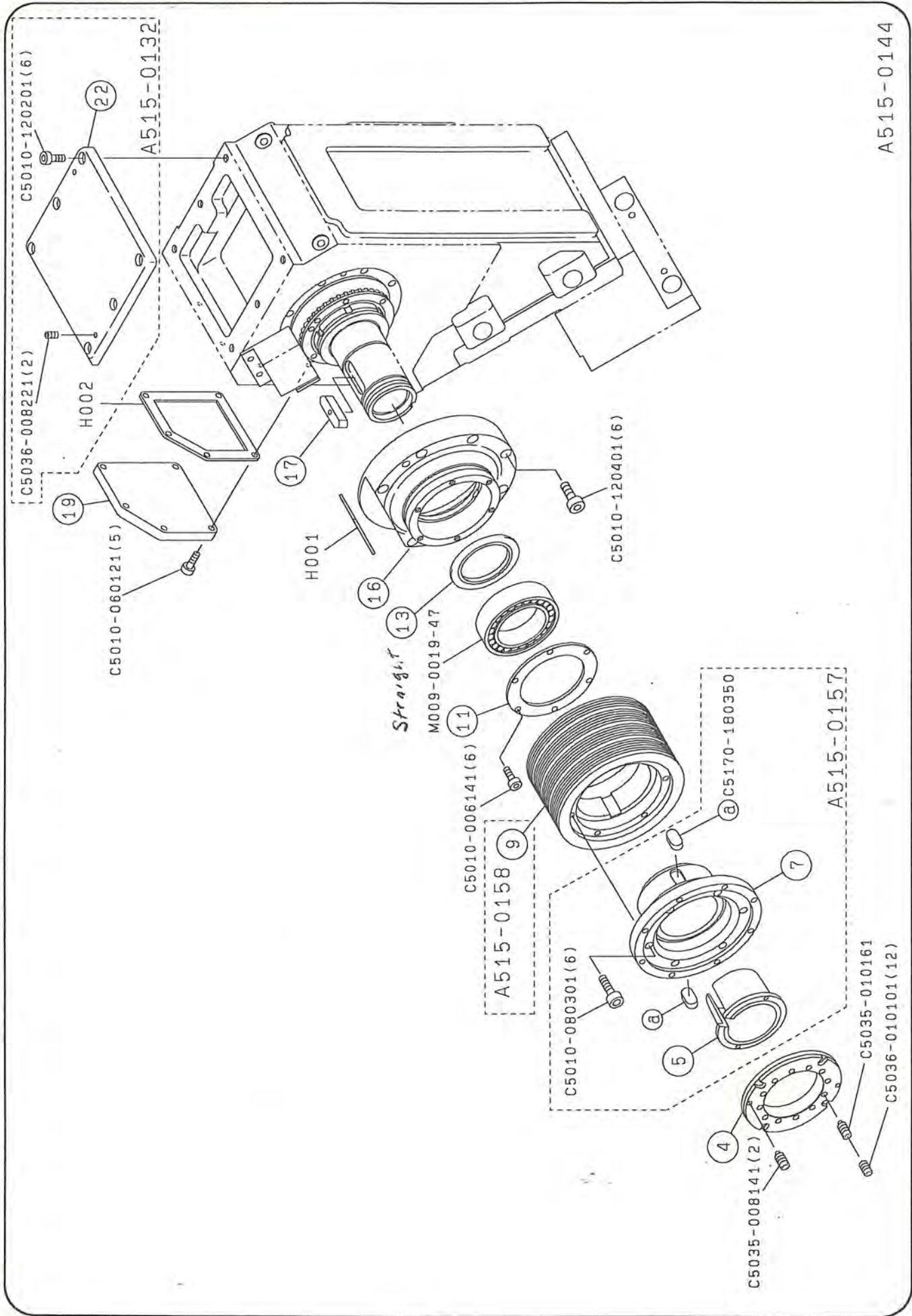
A515-0144

OKUMA Corporation

LR1525C/15C016

SHEET NO. 17 MAIN SPINDLE $\phi 120$ (2)

9205



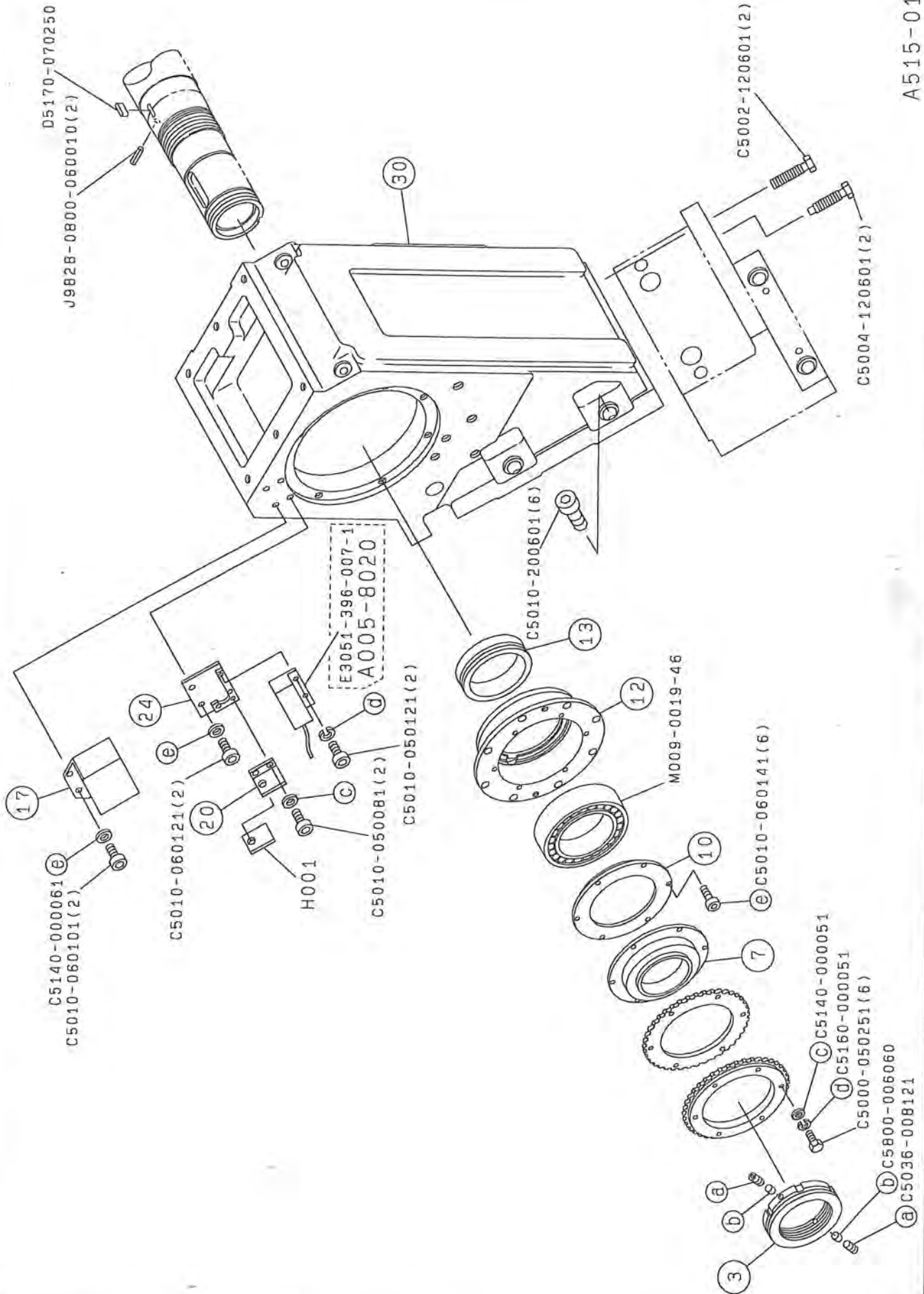
A515-0144

LR1525C/15C017

OKUMA Corporation

SHEET NO. 18 MAIN SPINDLE $\phi 120$ (3)

9205



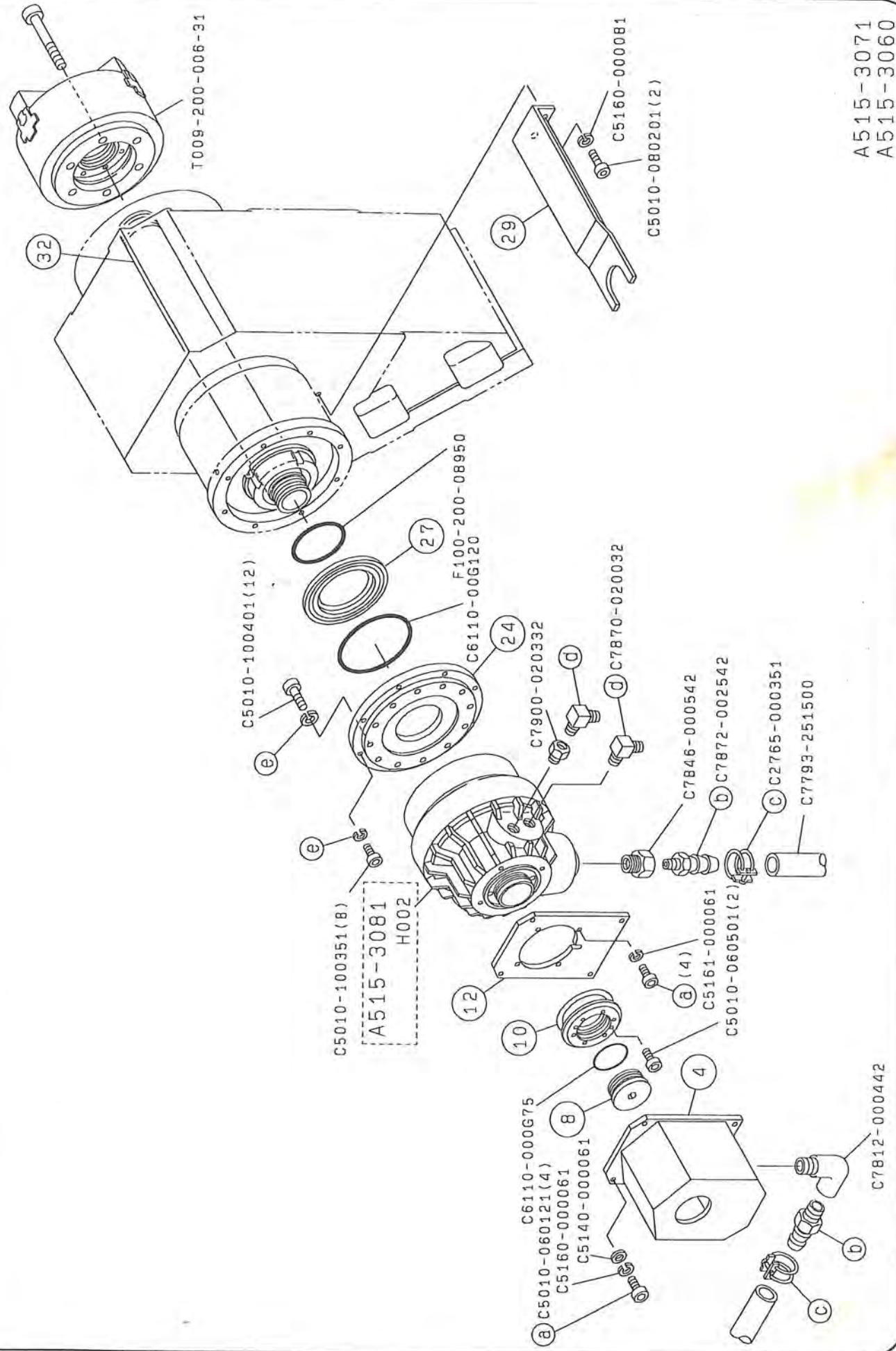
A515-0144

OKUMA Corporation

LR1525C/15C018

SHEET NO. 20 HYDRAULIC HOLLOW CHUCK, 10" (2)

9205



A515-3071
A515-3060

OKUMA Corporation

LR1525C/15C020

INDEX NO. LIST

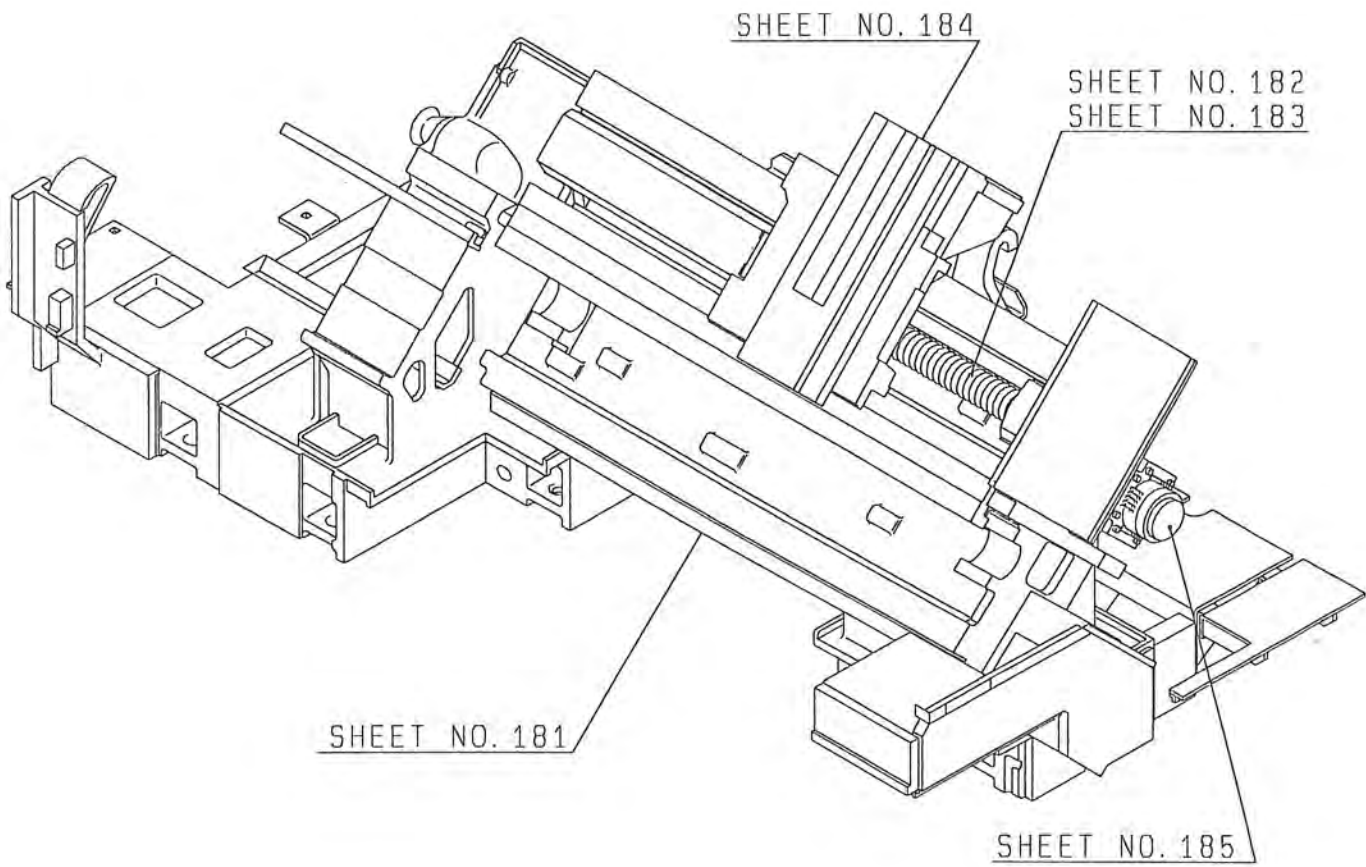
SHEET - ITEM	PART NO.	DESCRIPTION	UNIT NO.	QTY	SHEET - ITEM	PART NO.	DESCRIPTION	UNIT NO.	QTY
1 -003	555-0101-14-03	NUT	A515-0107	1	3 -021	515-0140-42-01	COVER	A515-0109	1
1 -011	515-0100-86-01	HOUSING	A515-0109	1	3 -024	522-0110-29-02	SUPPORT	A515-0109	1
1 -013	127-0110-57-02	COLLAR	A515-0109	1	3 -028	515-0100-78	PLATE	A515-0109	1
1 -014	127-0110-56	COLLAR	A515-0109	1	3 -034	515-0100-62-10	HEADSTOCK	A515-0108	1
1 -016	515-0100-22-03	LABYRINTH	A515-0109	1	3 -H001	H1020-1095-54-03	SHEET	A515-0109	1
1 -017	515-0100-23-6	LABYRINTH	A515-0109	1					
1 -018	515-0100-02-12	MAIN SPINDLE	A515-0107	1	7 -005	515-0050-28	KEY	A515-0155	1
1 -019	123-3111-30-01	BLOCK	A515-0109	1	7 -005	515-0050-28	KEY	A515-0157	1
1 -020	515-0100-36-1	BOLT	A515-0109	1	7 -006	515-0050-27-01	SLEEVE	A515-0157	1
1 -022	515-0100-56	CAP	A515-0109	1	7 -006	515-0050-27-01	SLEEVE	A515-0155	1
1 -024	515-0100-57-1	LABYRINTH	A515-0109	1	7 -007	515-0050-40-4	PULLEY	A515-0155	1
1 -027	515-0100-87	LABYRINTH	A515-0109	1	7 -007	515-0050-40-4	PULLEY	A515-0157	1
2 -005	515-0151-09-01	SLEEVE	A515-0109	1	7 -013	515-0055-09	WASHER	A515-0054	4
2 -007	515-0150-11-03	FLANGE	A515-0155	1	7 -014	515-0055-02-01	BASE, motor	A515-0054	1
2 -009	515-0150-09-3	PULLEY	A515-0155	1	7 -015	515-0001-17-01	KEY, feather	A515-0054	1
2 -011	515-0100-15	HOLDER	A515-0109	1	7 -017	515-0055-07-01	PLATE	A515-0054	1
2 -013	515-0101-10-2	COLLAR	A515-0109	1	7 -020	515-0055-06	BASE, motor	A515-0054	1
2 -016	515-0100-80-04	HOUSING	A515-0109	1	7 -021	515-0055-08	BOLT	A515-0054	1
2 -017	515-0100-12-01	KEY	A515-0109	1					
2 -019	515-0100-63-01	CAP	A515-0108	1	10 -002	515-3010-09-2	PLATE	A515-3052	1
2 -022	515-0140-28-3	CAP	A515-0108	1	10 -008	118-8108-76	BOLT	A515-3052	2
2 -027	515-0151-08	COLLAR	A515-0107	1	10 -011	515-3010-18-1	PLATE	A515-3052	1
2 -H001	H1020-1137-17	SHEET	A515-0109	1	10 -014	515-3010-08-4	BOX	A515-3052	1
2 -H002	H1020-1093-48-1	PACKING	A515-0108	1	10 -015	515-3010-07-2	PLATE	A515-3052	1
					10 -017	515-3012-32	CAP	A515-3052	1
					10 -020	515-3010-13-01	ADAPTOR	A515-3052	1
3 -003	515-0100-50	NUT, lock 90	A515-0107	1	10 -023	515-3010-06	PLATE	A515-3052	1
3 -008	515-0100-81-01	COLLAR	A515-0109	1	10 -033	515-3011-93-01	ADAPTOR	A515-3052	1
3 -014	515-0100-77	HOLDER	A515-0109	1	10 -036	515-3012-10-01	SUPPORT	A515-3052	1
3 -016	515-0100-84-02	HOUSING	A515-0109	1	10 -039	515-3020-93-01	PIPE, steel	A515-3057	1
3 -017	515-0100-85	LABYRINTH	A515-0109	1	10 -H001	H1020-1079-89-1	PLATE	A515-3052	1

SHEET - ITEM	PART NO.	DESCRIPTION	UNIT NO.	QTY	SHEET - ITEM	PART NO.	DESCRIPTION	UNIT NO.	QTY
10 - H002	H1020-1082-76	PACKING	A515-3052	1	15 - 010	515-3000-01	SUPPORT	A515-3050	1
10 - H003	H1020-1079-90-1	PACKING	A515-3052	1	15 - 013	515-3000-21-01	SUPPORT	A515-3050	1
10 - H004	H0001-0003-51	CYLINDER KITAGAWA S1552	A515-3081	1	15 - 018	515-3000-16-01	ADAPTOR	A515-3050	1
11 - 001	515-1050-10-01	COVER	A515-1040	1	15 - 024	515-3000-13	SHAFT	A515-3050	1
11 - 002	515-1050-01-10	COVER	A515-1040	1	15 - 026	515-3000-02-1	COLLAR	A515-3050	1
11 - 006	515-1050-04-5	COVER	A515-1040	1	15 - H001	H0001-0004-26	CYLINDER	A515-3086	1
11 - 013	515-1050-05-2	CAP	A515-1040	1	16 - 003	515-0140-64-01	NUT	A515-0144	1
11 - 015	515-1050-06-05	COVER	A515-1061	1	16 - 004	515-0140-70	LABYRINTH	A515-0144	1
11 - 021	515-1050-02-5	CAP	A515-1040	1	16 - 005	515-0140-69-01	HOUSING	A515-0144	1
11 - H001	H1061-0000-66	TONGS	A515-1085	1	16 - 007	127-0140-11-02	COLLAR	A515-0144	1
11 - H002	H1009-0000-47	TOGGLE	A515-1085	1	16 - 008	127-0140-05-1	COLLAR	A515-0144	1
13 - 003	515-3010-17-4	BOX	A515-3055	1	16 - 010	515-0140-39-03	LABYRINTH	A515-0144	1
13 - 007	515-3012-33	CAP	A515-3055	1	16 - 011	515-0140-38-02	LABYRINTH	A515-0144	1
13 - 009	515-3010-06	PLATE	A515-3055	1	16 - 012	515-0140-01-12	MAIN SPINDLE	A515-0144	1
13 - 020	515-3011-93-01	ADAPTOR	A515-3055	1	16 - 013	141-0114-19-4	BLOCK	A515-0144	1
13 - 023	515-3020-93-01	PIPE, steel	A515-3057	1	16 - 014	522-0100-36-23	BOLT	A515-0144	1
13 - 025	515-3011-36	SUPPORT	A515-3055	1	16 - 016	522-0110-03	CAP	A515-0144	1
13 - H002	H0001-0003-51	CYLINDER KITAGAWA S1552	A515-3081	1	16 - 019	522-0110-04-4	LABYRINTH	A515-0144	1
14 - 002	515-0600-55-8	SUPPORT	A515-0655	1	17 - 004	515-0140-51	COLLAR	A515-0144	1
14 - 002	515-0600-84-3	SUPPORT	A515-0658	1	17 - 005	515-0140-52	SLEEVE	A515-0144	1
14 - 010	515-0600-70-01	MANIFOLD	A515-0655	1	17 - 007	515-0153-08-02	FLANGE	A515-0157	1
14 - 018	515-0600-50-6	SUPPORT	A515-0655	1	17 - 009	515-0153-05-01	PULLEY	A515-0158	1
14 - 021	515-1610-01	SUPPORT	A515-1361	1	17 - 011	522-0101-24-2	HOLDER	A515-0144	1
14 - 021	515-1610-01	SUPPORT	A515-1360	1	17 - 013	515-0140-46-1	COLLAR	A515-0144	1
14 - H001	H0130-0007-54	GAUGE TOYO DUI/4X M60X1000P	A515-0657	1	17 - 016	515-0140-62-04	HOUSING	A515-0144	1
15 - 007	515-3000-06	JOINT	A515-3050	1	17 - 017	515-0140-06-01	KEY	A515-0144	1
15 - 009	515-3000-05	JOINT	A515-3050	1	17 - 019	515-0100-63-01	CAP	A515-0144	1
					17 - 022	515-0140-28-3	CAP	A515-0132	1
					17 - H001	H1020-1095-57-1	SHEET	A515-0144	1

SHEET - ITEM	PART NO.	DESCRIPTION	UNIT NO.	QTY	SHEET - ITEM	PART NO.	DESCRIPTION	UNIT NO.	QTY
17 -H002	H1020-1093-48-1	PACKING	A515-0132	1	20 -008	130-3000-11	CAP	A515-3060	1
18 -003	515-0140-45	NUT 90	A515-0144	1	20 -010	522-3000-10-1	ADAPTOR	A515-3060	1
18 -007	515-0140-63-01	PLATE	A515-0144	1	20 -012	522-3000-05	PLATE	A515-3060	1
18 -010	515-0101-24-02	HOLDER	A515-0144	1	20 -024	515-3020-91	ADAPTOR	A515-3060	1
18 -012	515-0140-67-01	HOUSING	A515-0132	1	20 -027	515-3020-94	COLLAR	A515-3060	1
18 -013	515-0140-68-01	COLLAR	A515-0144	1	20 -029	515-3020-05-1	SUPPORT	A515-3060	1
18 -017	515-0140-42-01	COVER	A515-0144	1	20 -032	515-3020-04-3	PIPE, steel	A515-3060	1
18 -020	522-0110-29-02	SUPPORT	A515-0144	1	20 -H002	H0001-0003-67	CYLINDER KITAGAWA S1870-01	A515-3081	1
18 -024	515-0110-27-01	SUPPORT	A515-0144	1					
18 -030	515-0140-58-09	HEADSTOCK (M120UL)	A515-0144	1					
18 -H001	H1020-1095-54-1	SHEET	A515-0144	1					
19 -002	522-3000-06-2	PLATE	A515-3061	1					
19 -009	118-8108-76	BOLT	A515-3061	2					
19 -013	515-3010-18-1	PLATE	A515-3061	1					
19 -015	522-3000-11-02	BOX	A515-3061	1					
19 -017	515-3010-07-2	PLATE	A515-3061	1					
19 -020	130-3000-11	CAP	A515-3061	1					
19 -023	522-3000-10-1	ADAPTOR	A515-3061	1					
19 -026	515-3000-05	PLATE	A515-3061	1					
19 -037	515-3020-91	ADAPTOR	A515-3061	1					
19 -040	515-3020-94	COLLAR	A515-3061	1					
19 -042	515-3020-05-1	SUPPORT	A515-3061	1					
19 -045	515-3020-04-3	PIPE, steel	A515-3061	1					
19 -H001	H1020-1083-93-1	PLATE	A515-3061	1					
19 -H002	H1020-1082-76	PACKING	A515-3061	1					
19 -H003	H1020-1079-90-1	PACKING	A515-3061	1					
19 -H004	H0001-0003-67	CYLINDER KITAGAWA S1870-01	A515-3081	1					
20 -004	515-3011-18-1	BOX	A515-3060	1					

PURCHASE PARTS LIST

PARTS NO.	DESCRIPTION	PARTS NO.	DESCRIPTION
E1006-892-080	AC MOTOR		
E3020-397-102	SENSOR OMRON		
E3040-539-024	SWITCH, pressure NAGANO CQ20 PF3/8		
E3051-396-007-1	ENCODER TS5270N3 TAMAGAWA		
F0000-431-000-17	SOL. NACHI S-G01-B3X-CRZ-D2-30		
F0011-730-000-06	VALVE, reducing NACHI		
F100-200-05550	O-RING, NOK S56		
F100-200-08950	O-RING, NOK S90		
F109-0001-88	O-RING NOK C0-0646A		
M009-0017-01	ROLLER BEARING NSK NN3017MBCC		
M009-0017-66	ROLLER BEARING NSK 100BTX10TDBV		
M009-0018-76	ROLLER BEARING NTN NN3020MBKR		
M009-0018-77	ROLLER BEARING NTN NN3018MBKRCCIP4AV10		
M009-0019-44	BEARING NSK NN3024KR		
M009-0019-45	BEARING NSK 120BT10XDB		
M009-0019-46	BEARING NSK NN3022RR		
M009-0019-47	BEARING NSK NN3021		
M119-0011-16	STS BELT BANDO 8PK1580		
M119-0011-17	STS BELT BANDO 8PK1650		
T009-200-006-31	CHUCK 8		
T009-200-011-26	CHUCK KITAGAWA N-108A601A		
T009-810-003-76	FINGER KITAGAWA B208		
T019-400-002-04	GAUGE, pressure TOYO DU1/4		



(2) Z-AXIS GROUP (1SC 800)

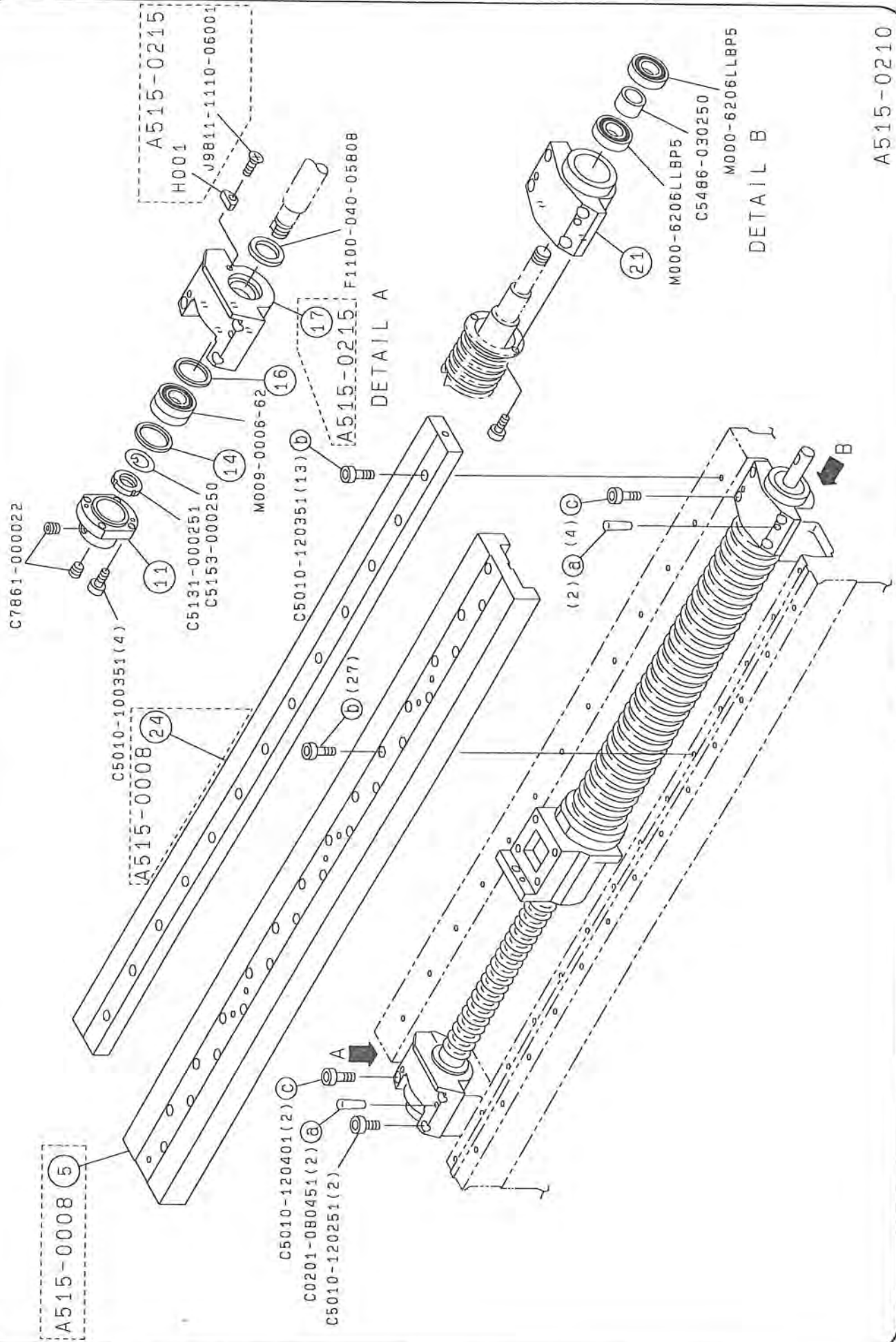
~ CONTENTS ~

SHEET NO.	ASSEMBLY NAME	PAGE
181	BED	72
182	UPPER Z-AXIS BALL-SCREW (1)	73
183	UPPER Z-AXIS BALL-SCREW (2)	74
184	UPPER SADDLE INSTALLATION	75
185	Z-AXIS DRIVE DEVICE	76
I	INDEX NO. LIST	77
P/P	PURCHASE PARTS LIST	78

2

SHEET NO. 182 UPPER Z-AXIS BALL-SCREW (1)

9205



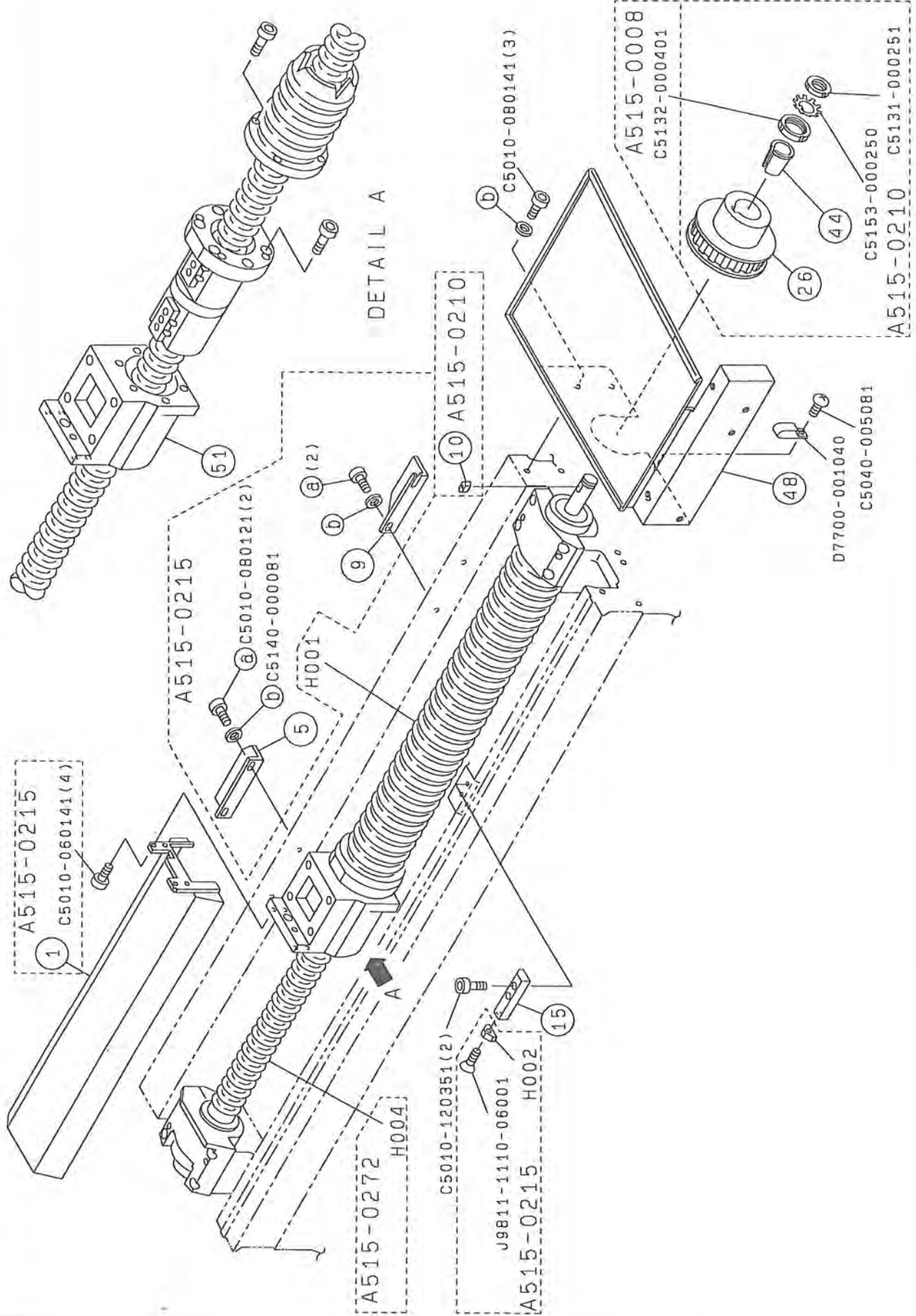
A515-0210

LR1525C/15C182

OKUMA Corporation

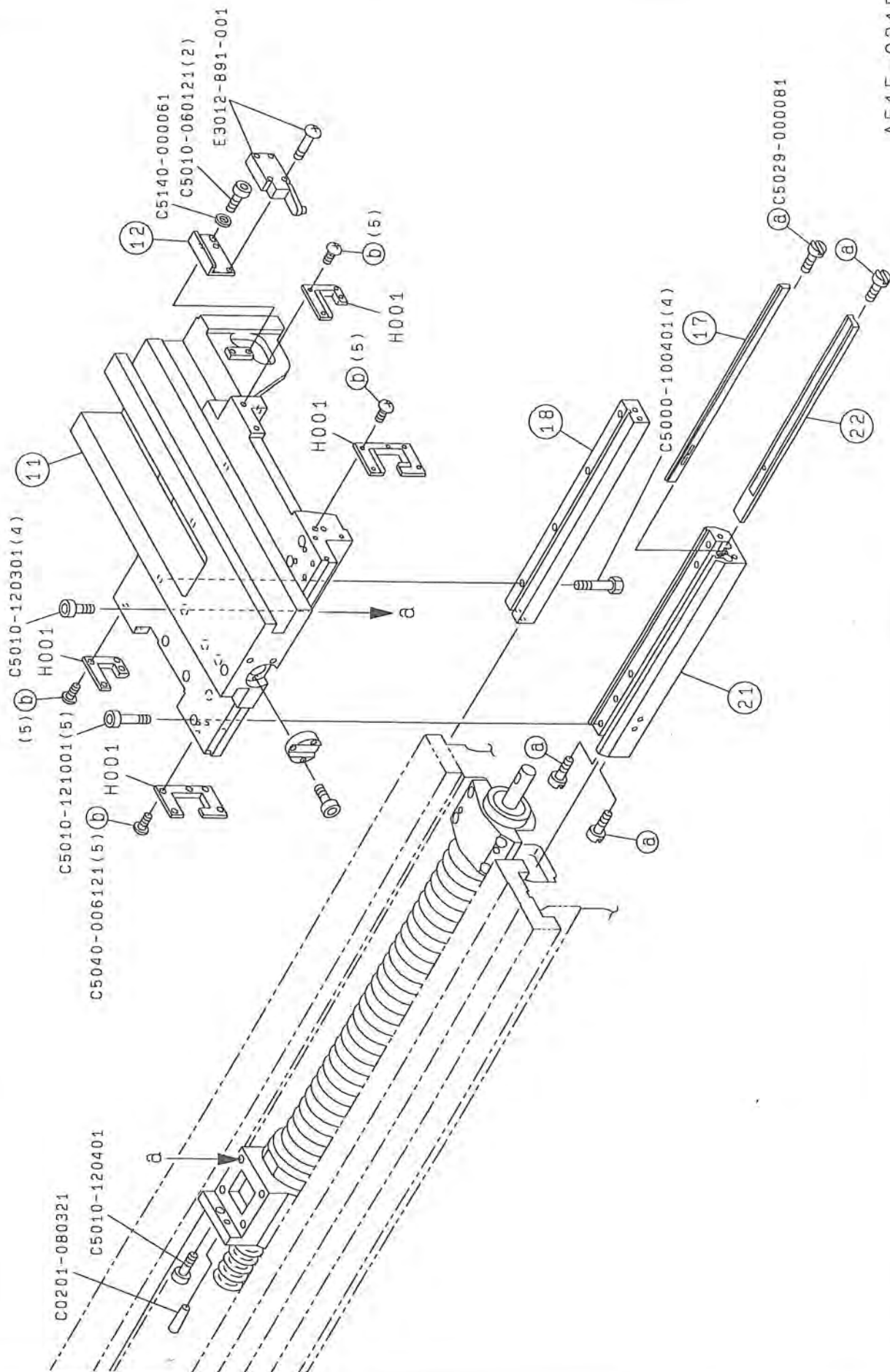
SHEET NO. 183 UPPER Z-AXIS BALL-SCREW (2)

9205



SHEET NO. 184 UPPER SADDLE INSTALLATION

9205



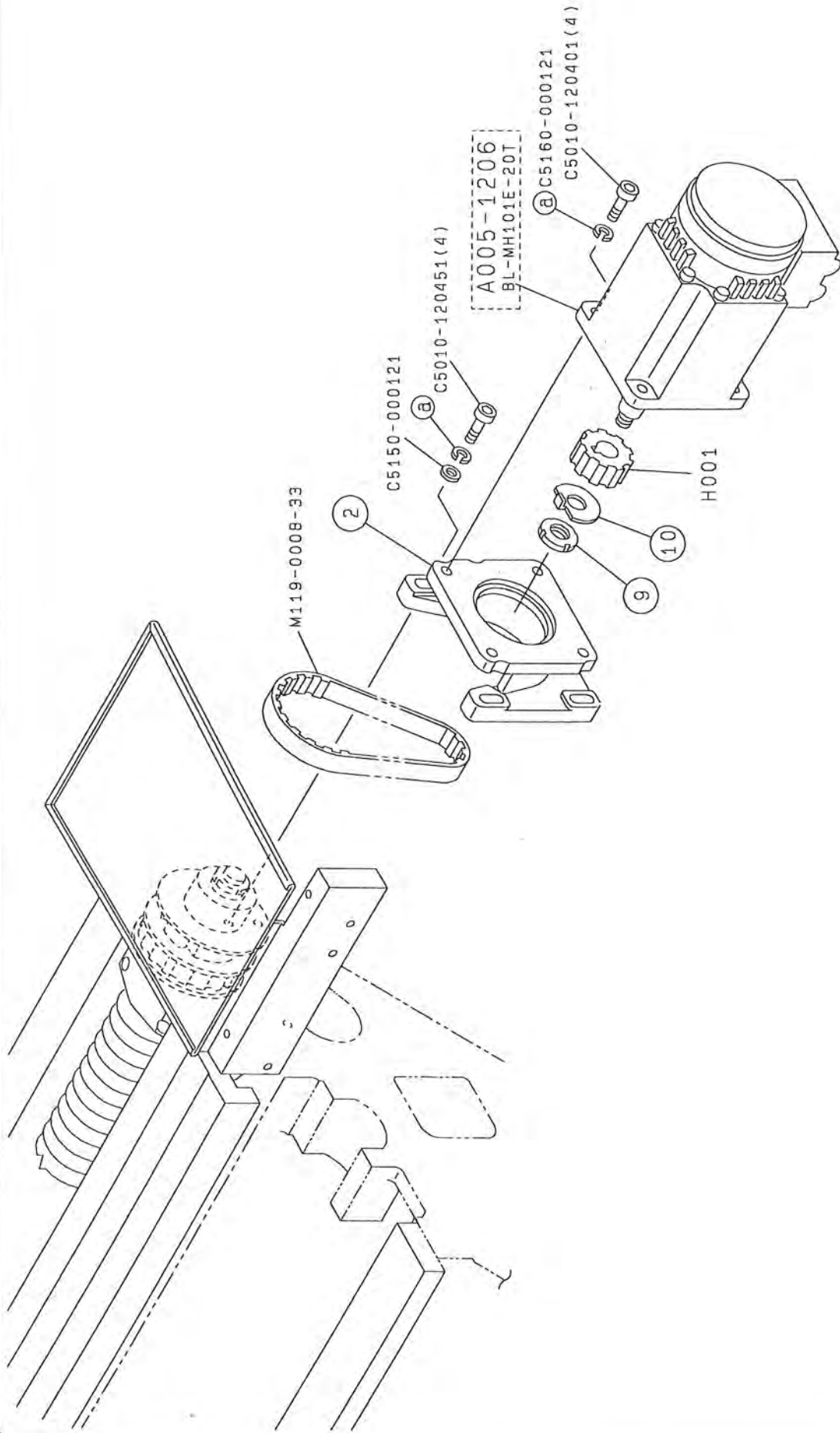
A515-0215
A515-0205

OKUMA Corporation

LR1525C/15C184

SHEET NO. 185 Z-AXIS DRIVE DEVICE

9205



A515-0210

OKUMA Corporation

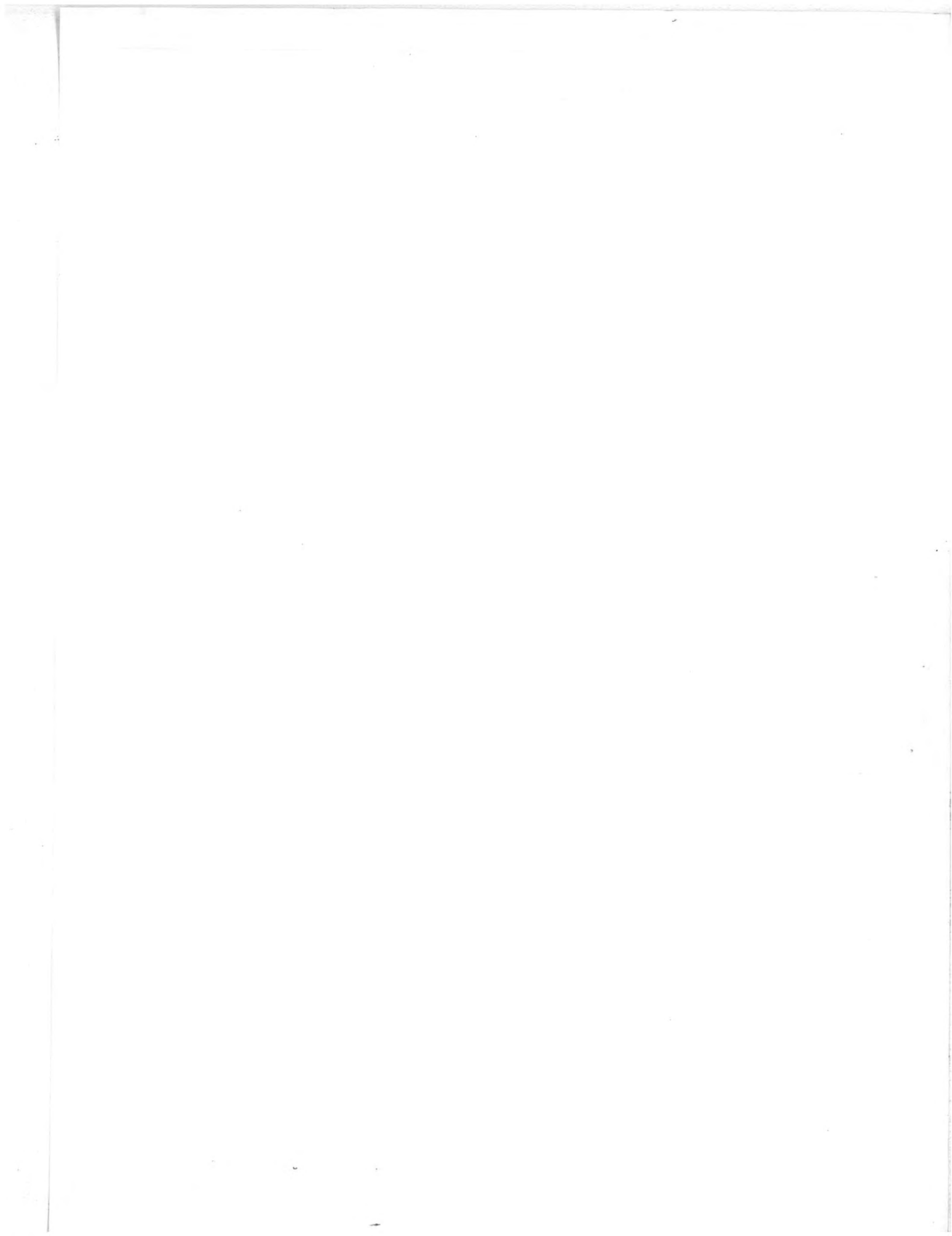
IP1525C/15C185

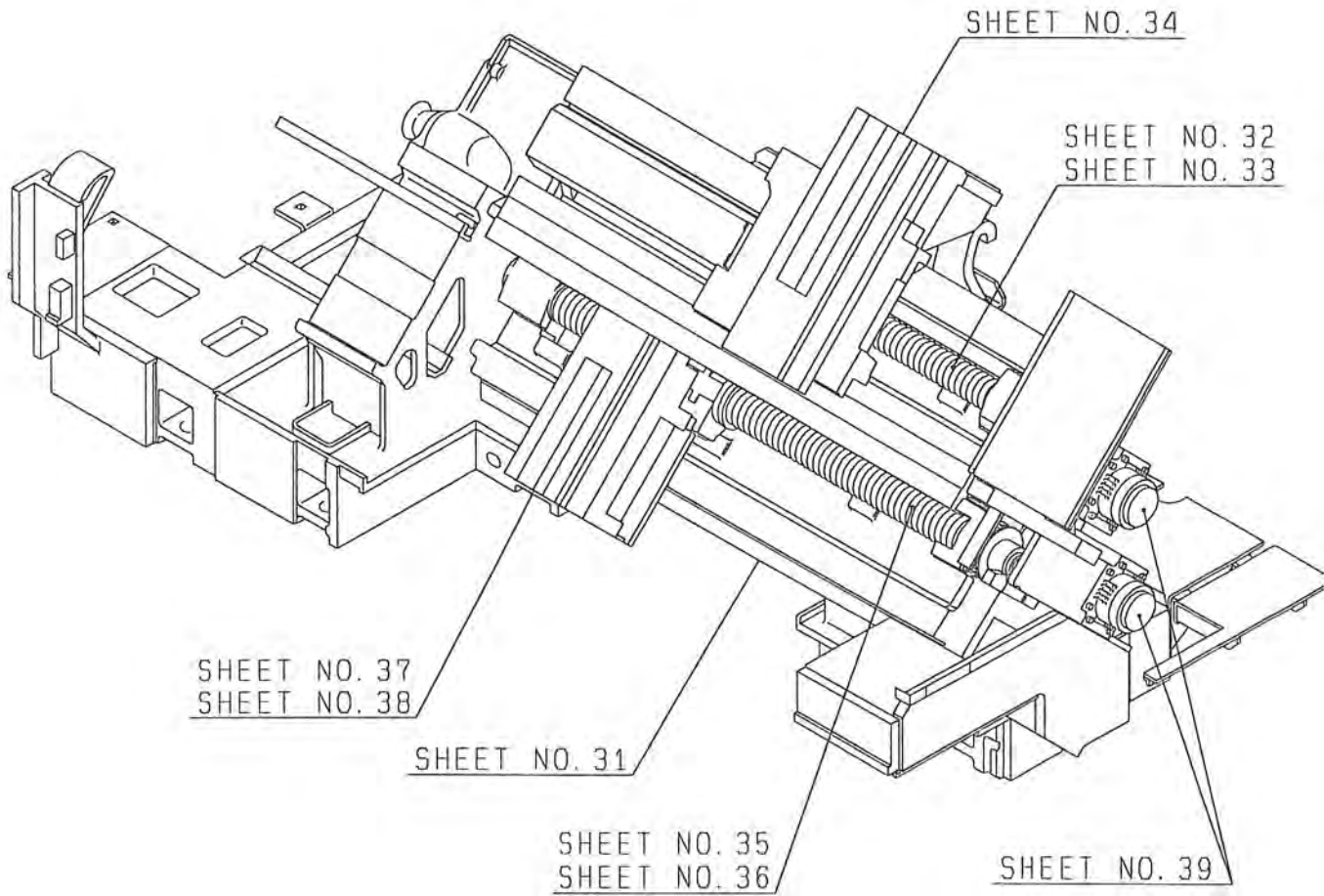
INDEX NO. LIST

SHEET - ITEM	PART NO.	DESCRIPTION	UNIT NO.	QTY	SHEET - ITEM	PART NO.	DESCRIPTION	UNIT NO.	QTY
181 - 001	515-0006-11-03	BED	A515-0008	1	183 - 001	515-0230-33-01	COVER	A515-0215	1
181 - 006	515-0006-07-02	SUPPORT	A515-0008	1	183 - 005	515-0230-11-1	DOG	A515-0215	1
181 - 011	515-0090-17-1	HOOK	A515-0008	1	183 - 009	515-0230-12-2	DOG	A515-0215	1
181 - 014	108-0014-04-2	MOUNT	A515-0008	10	183 - 010	515-0230-36-01	KEY	A515-0210	1
181 - 016	515-0006-02-01	SUPPORT	A515-1086	1	183 - 015	515-0230-10	STOPPER	A515-0285	1
181 - 017	515-0090-16-01	HOOK	A515-1086	1	183 - 026	522-0230-24	PULLEY	A515-0210	1
181 - 020	515-0002-15-8	SUPPORT	A515-0008	1	183 - 044	522-0230-25-02	BUSHING	A515-0210	1
181 - 021	515-0002-14-8	SUPPORT	A515-0008	1	183 - 048	515-1085-03-02	SUPPORT	A515-0285	1
181 - 024	515-0002-12	HOOK	A515-0008	1	183 - 051	515-0230-08-6	BRACKET	A515-0215	1
181 - 026	515-1060-43-3	COVER	A515-0008	1	183 - H001	H1024-0002-24	BELLOWS (2SC)	A515-0285	1
181 - 029	515-1060-22-4	SUPPORT	A515-1086	1	183 - H002	H1023-1027-37	STOPPER	A515-0215	1
181 - 031	515-0800-39-03	SUPPORT	A515-1086	1	183 - H004	H1014-0005-67-1	BALL SCREW	A515-0272	1
181 - 037	515-1050-41-1	SUPPORT	A515-1040	1					
181 - 041	515-1040-01-2	SUPPORT	A515-1040	1					
181 - 045	515-1040-02-3	GUTTER	A515-1040	1	184 - 011	515-0205-01-8	SADDLE	A515-0205	1
181 - 049	515-1050-08-2	GUTTER	A515-1040	1	184 - 012	515-0200-07-2	PLATE	A515-0205	1
181 - 052	515-1700-03-1	SUPPORT	A515-1360	1	184 - 017	515-0205-03-01	GIB	A515-0205	1
181 - 052	515-1700-03-1	SUPPORT	A515-1361	1	184 - 018	515-0200-03-1	PLATE	A515-0205	1
181 - 056	515-1700-02	SUPPORT	A515-1361	1	184 - 021	515-0205-02-05	PLATE	A515-0205	1
181 - 056	515-1700-02	SUPPORT	A515-1360	1	184 - 022	515-0205-04	GIB	A515-0205	1
181 - 058	515-1095-37	GUTTER	A515-0008	1	184 - H001	H1023-0012-29	WIPER	A515-0205	1
181 - H001	H1020-1110-51	STOPPER	A515-0008	2					
182 - 005	515-0006-04-02	RAIL	A515-0008	1	185 - 002	515-0230-01-2	BASE, motor	A515-0210	1
182 - 011	515-0230-15-01	CAP	A515-0210	1	185 - 009	112-0320-09	NUT, lock	A515-0210	1
182 - 014	118-2100-31-1	COLLAR	A515-0210	1	185 - 010	112-0320-10-1	WASHER, lock	A515-0210	1
182 - 016	118-2100-31-1	COLLAR	A515-0210	1	185 - H001	H1019-0004-44	TIMING PULLEY	A515-0210	1
182 - 017	515-0230-29-01	BRACKET	A515-0215	1					
182 - 021	515-0230-06-05	BRACKET	A515-0215	1					
182 - 024	515-0006-05-02	RAIL	A515-0008	1					
182 - H001	H1023-1027-37	STOPPER NBR 19X32 X10	A515-0215	1					

PURCHASE PARTS LIST

PARTS NO.	DESCRIPTION	PARTS NO.	DESCRIPTION
E3012-891-001	L. S. YAMATAKE 1LS1-J		
F1100-040-05808	SEAL, oil NOK SB40588		
M000-6206LLBP5	BALL BEARING NTN 6206LLBP5		
M009-0006-62	BEARING NSK		
M119-0008-33	STS BELT BANDO 250S8M712		





(3) Z-AXIS GROUP (2SC 600)

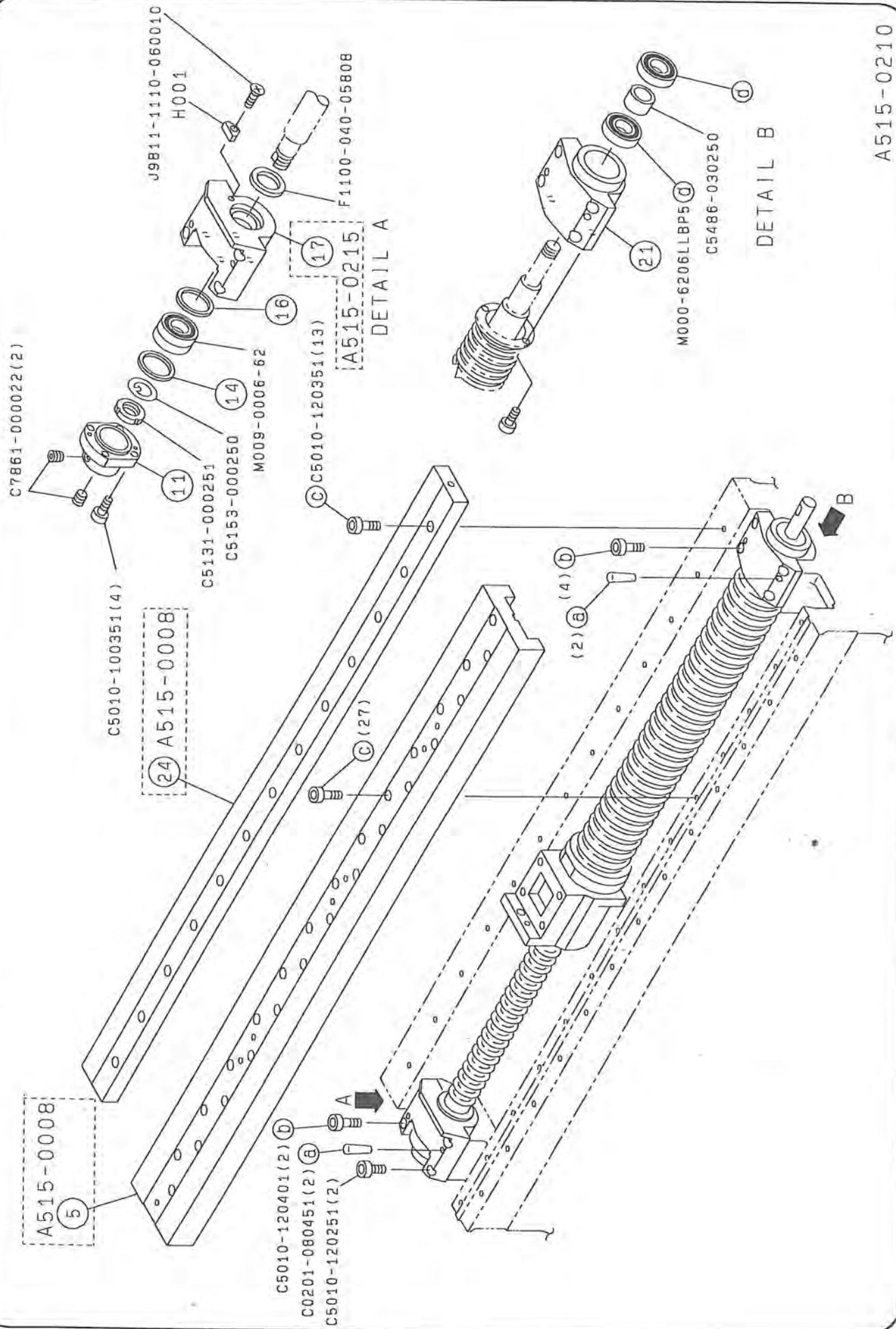
~ CONTENTS ~

SHEET NO.	ASSEMBLY NAME	PAGE
31	BED	102
32	UPPER Z-AXIS BALL-SCREW (1)	103
33	UPPER Z-AXIS BALL-SCREW (2)	104
34	UPPER SADDLE INSTALLATION	105
35	LOWER Z-AXIS BALL-SCREW (1)	106
36	LOWER Z-AXIS BALL-SCREW (2)	107
37	LOWER SADDLE INSTALLATION (1)	108
38	LOWER SADDLE INSTALLATION (1)	109
39	Z-AXIS DRIVE DEVICE	110
I	INDEX NO. LIST	111
P/P	PURCHASE PARTS LIST	112

3

SHEET NO. 32 UPPER Z-AXIS BALL-SCREW (1)

9205



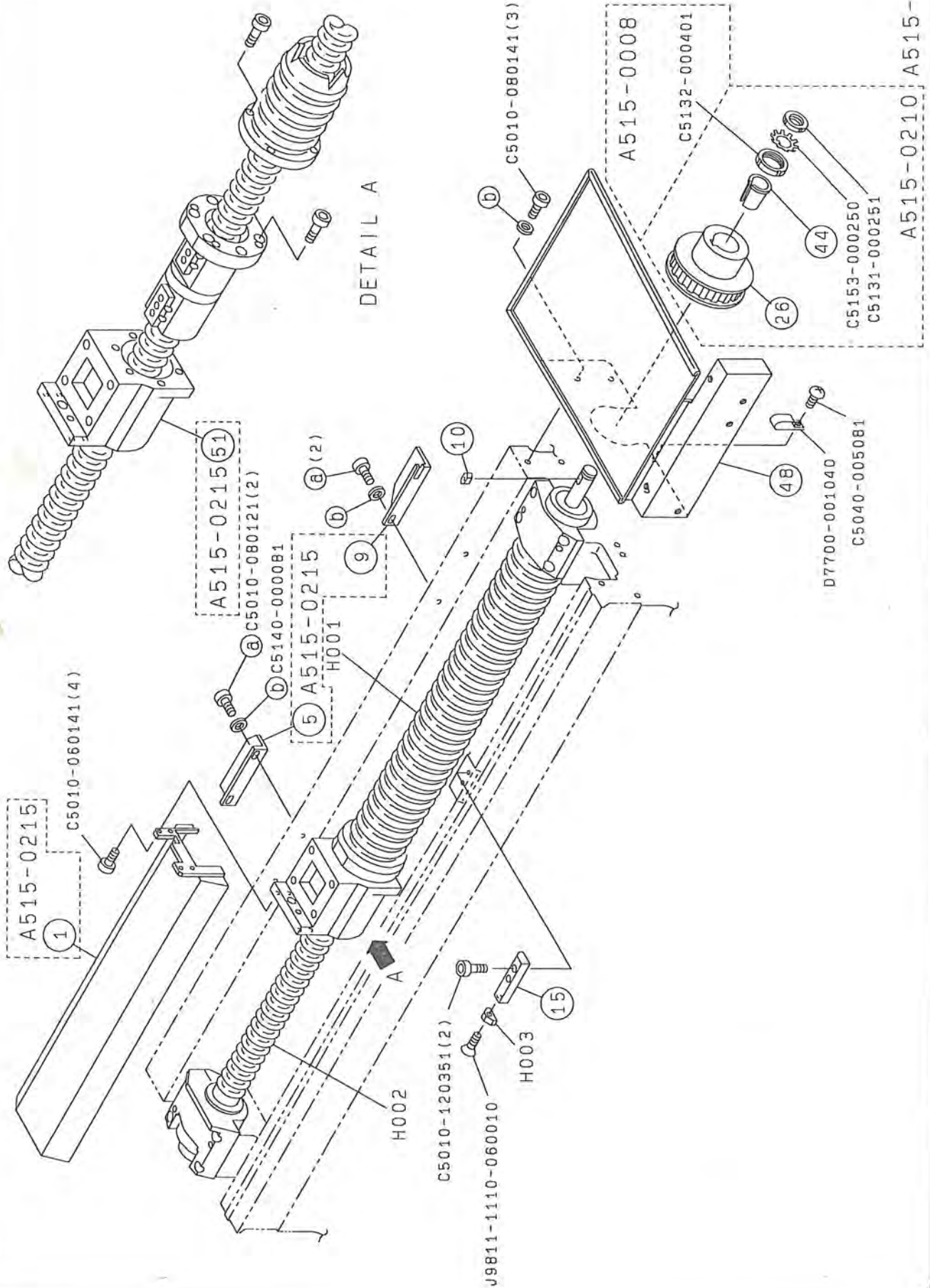
A515-0210

OKUMA Corporation

LR1525C/15C032

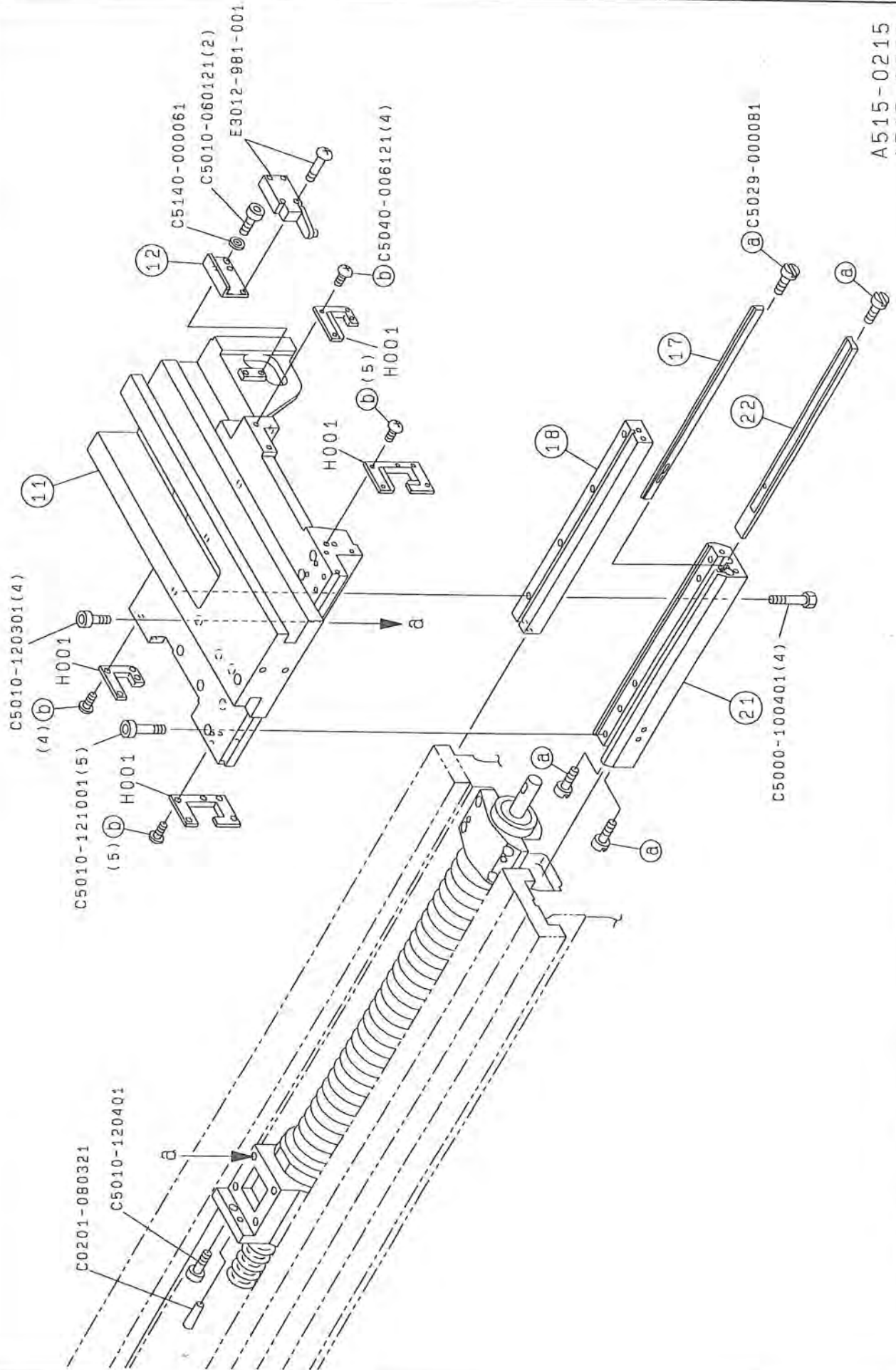
SHEET NO. 33 UPPER Z-AXIS BALL-SCREW (2)

9205



SHEET NO. 34 UPPER SADDLE INSTALLATION

9205



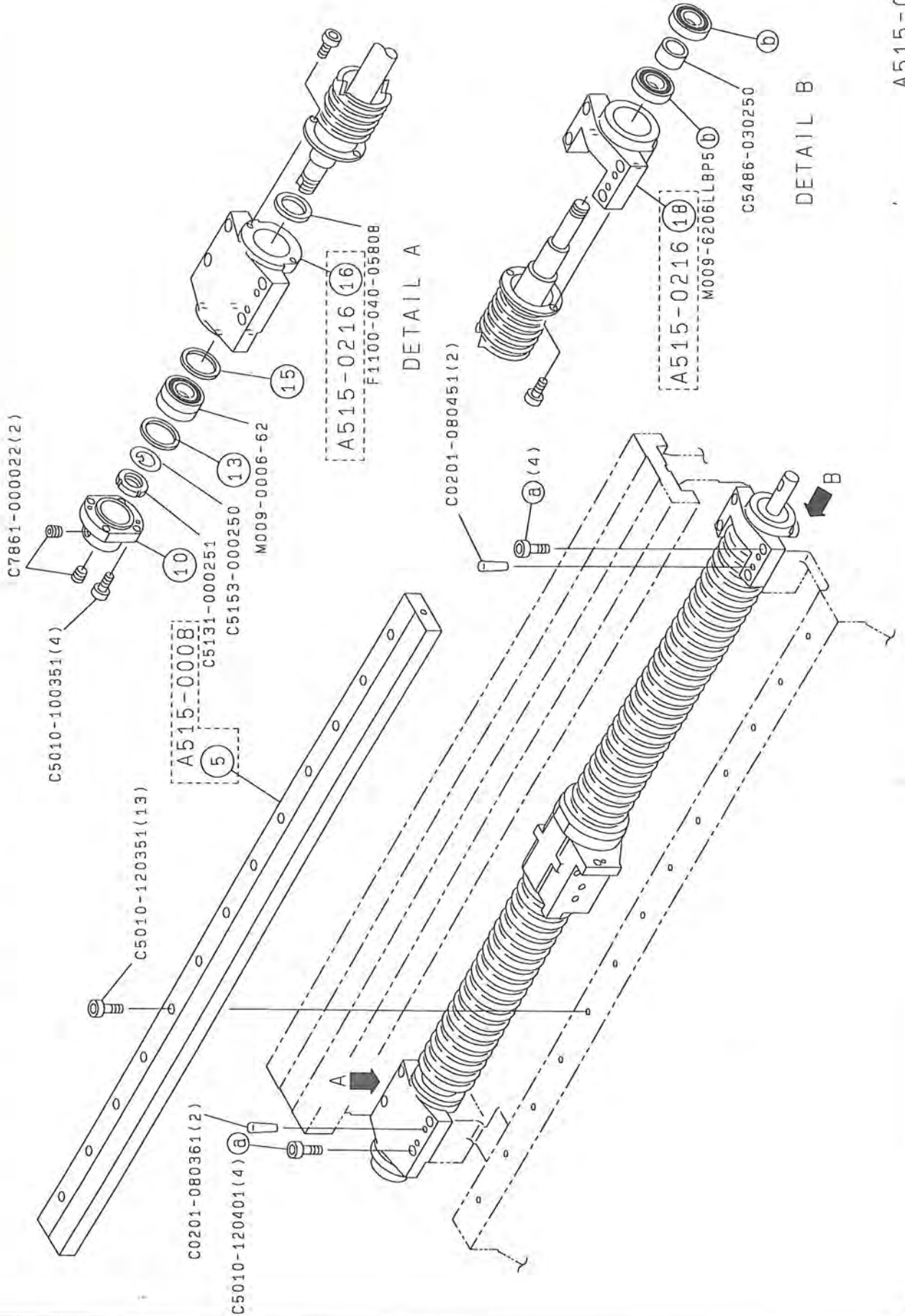
A515-0215
A515-0205

OKUMA Corporation

LR1525C/15C034

SHEET NO. 35 LOWER Z-AXIS BALL-SCREW (1)

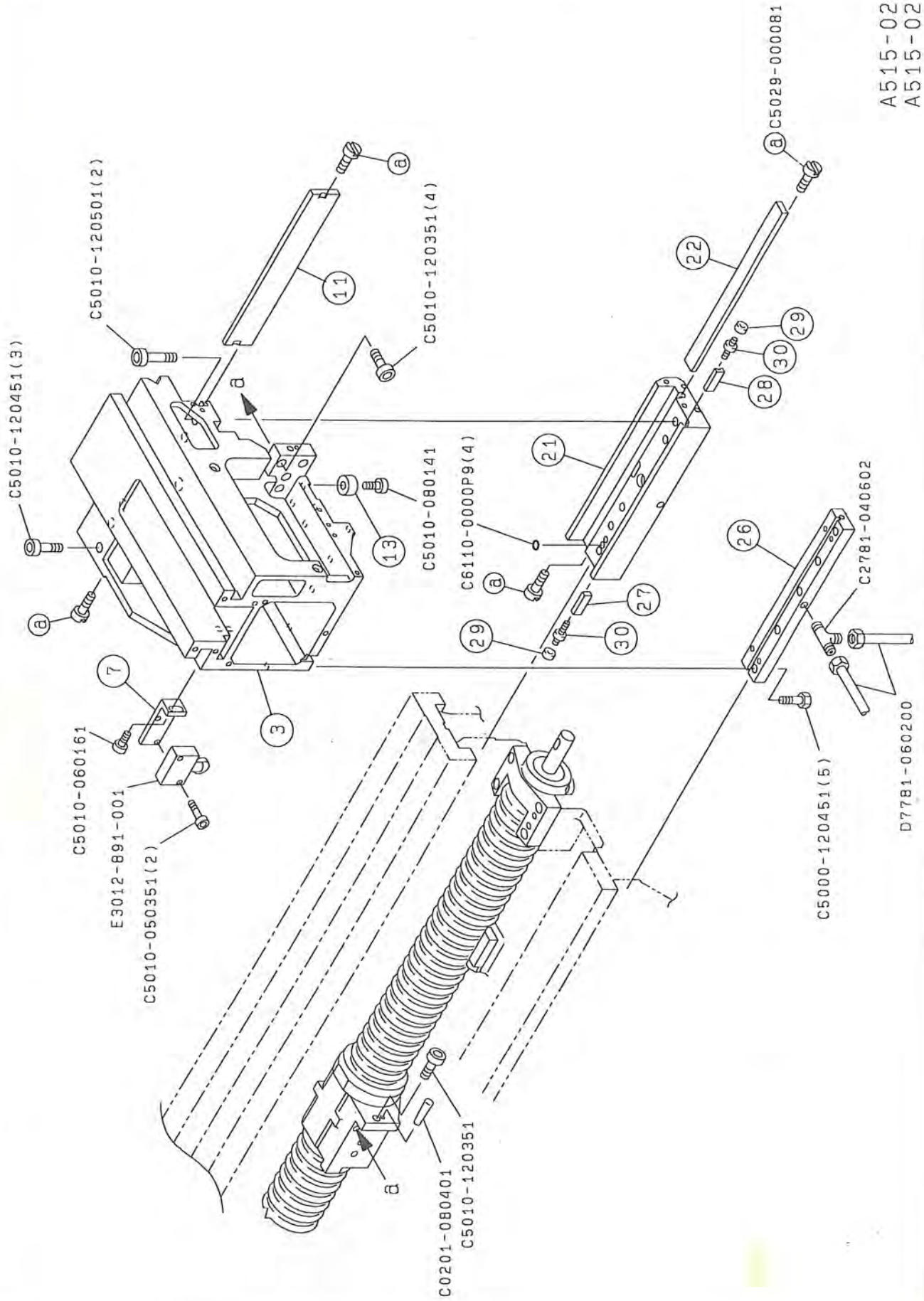
9205



A515-0210

SHEET NO. 37 LOWER SADDLE INSTALLATION (1)

9205



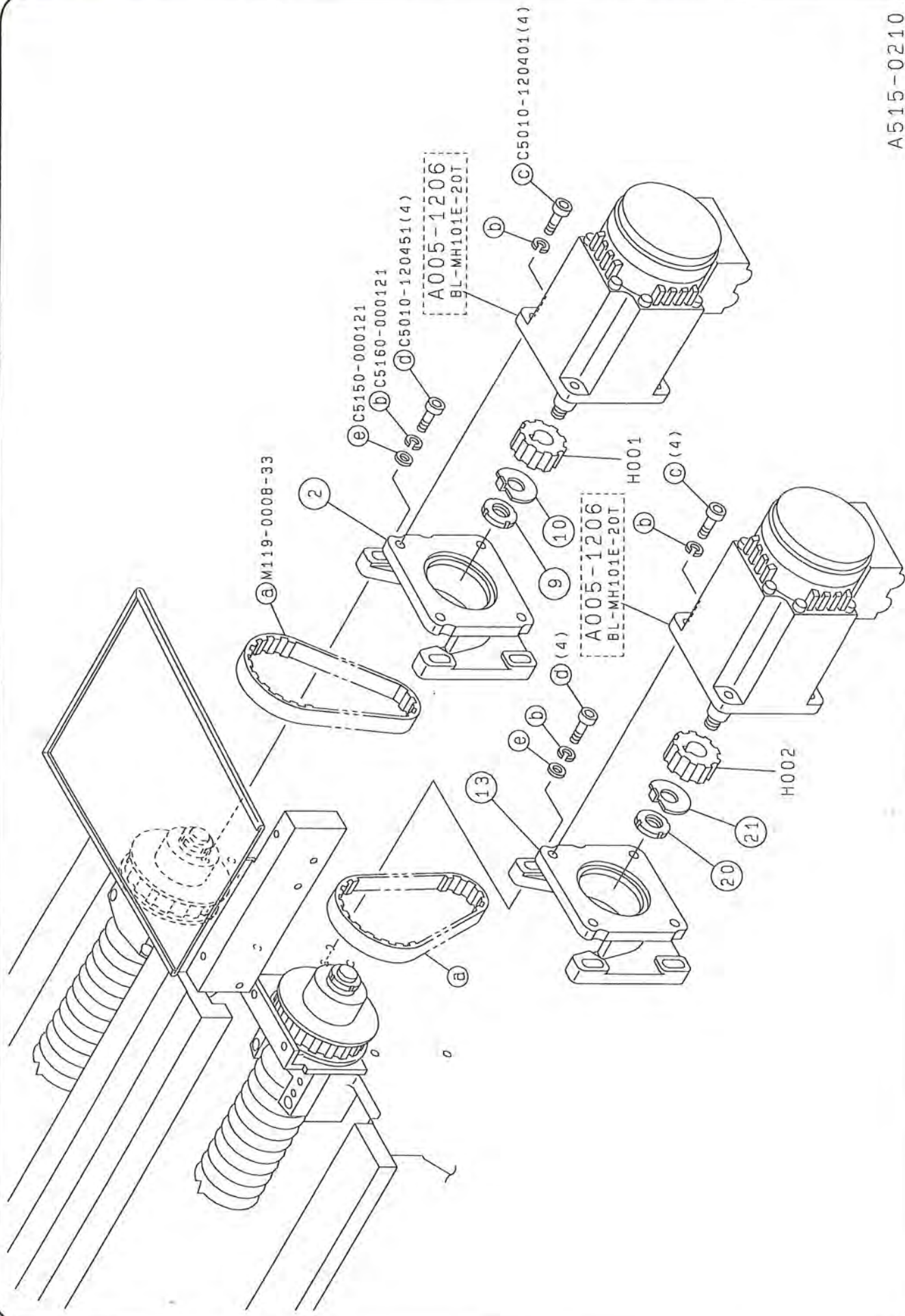
A515-0216
A515-0255

OKUMA Corporation

LR1525C/15C037

SHEET NO. 39 Z-AXIS DRIVE DEVICE

9205



A515-0210

OKUMA Corporation

1015550 / 150030

INDEX NO. LIST

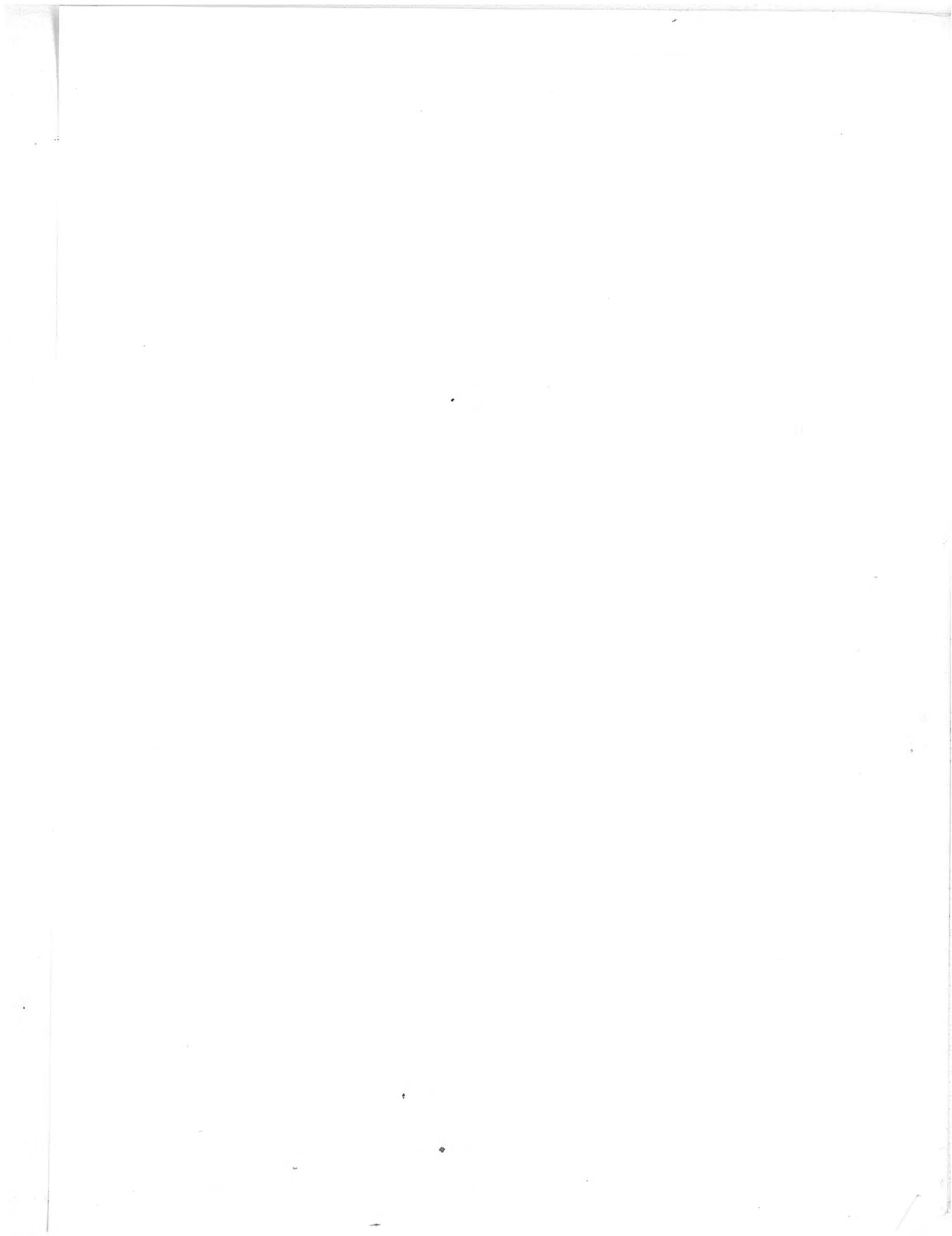
SHEET - ITEM	PART NO.	DESCRIPTION	UNIT NO.	QTY	SHEET - ITEM	PART NO.	DESCRIPTION	UNIT NO.	QTY
31 - 001	515-0006-11-03	BED	A515-0008	1	33 - 001	515-0230-33-01	COVER	A515-0215	1
31 - 006	515-0006-07-02	SUPPORT	A515-0008	1	33 - 005	515-0230-11-1	DOG	A515-0215	1
31 - 011	515-0090-17-1	HOOK	A515-0008	1	33 - 009	515-0230-12-2	DOG	A515-0215	1
31 - 014	108-0014-04-2	MOUNT	A515-0008	10	33 - 010	515-0230-36-01	KEY	A515-0210	1
31 - 016	515-0006-02-01	SUPPORT	A515-1061	1	33 - 015	515-0230-10	STOPPER	A515-0285	1
31 - 017	515-0090-14-2	HOOK	A515-0008	1	33 - 026	522-0230-24	PULLEY	A515-0210	1
31 - 020	515-0002-15-8	SUPPORT	A515-0008	1	33 - 044	522-0230-25-02	BUSHING	A515-0210	1
31 - 021	515-0002-14-8	SUPPORT	A515-0008	1	33 - 048	515-1085-03-02	SUPPORT	A515-0285	1
31 - 024	515-0002-12	HOOK	A515-0008	1	33 - 051	515-0230-08-6	BRACKET	A515-0215	1
31 - 026	515-1060-43-3	COVER	A515-1085	1	33 - H001	H1024-0002-24	BELLOWS (2SC)	A515-0285	1
31 - 029	515-1060-22-4	SUPPORT	A515-1085	1	33 - H002	H1014-0005-67-1	BALL SCREW	A515-0272	1
31 - 031	515-0800-39-03	SUPPORT	A515-1040	1	33 - H003	H1023-1027-37	STOPPER	A515-0215	1
31 - 037	515-1050-41-1	SUPPORT	A515-1040	1					
31 - 041	515-1040-01-2	GUTTER	A515-1040	1					
31 - 045	515-1040-02-3	GUTTER	A515-1040	2					
31 - 049	515-1050-08-2	SUPPORT	A515-1040	1	34 - 011	515-0205-01-8	SADDLE	A515-0205	1
31 - 052	515-1700-03-1	SUPPORT	A515-1360	1	34 - 012	515-0200-07-2	PLATE	A515-0205	1
31 - 052	515-1700-03-1	SUPPORT	A515-1361	1	34 - 017	515-0205-03-01	GIB	A515-0205	1
31 - 056	515-1700-02	SUPPORT	A515-1361	1	34 - 018	515-0200-03-1	PLATE	A515-0205	1
31 - 056	515-1700-02	SUPPORT	A515-1360	1	34 - 021	515-0205-02-05	PLATE	A515-0205	1
31 - 058	515-1095-37	GUTTER	A515-0008	1	34 - 022	515-0205-04	GIB	A515-0205	1
31 - H001	H1020-1110-51	STOPPER	A515-0008	2	34 - H001	H1023-0012-29	WIPER	A515-0205	1
32 - 005	515-0006-04-02	RAIL	A515-0008	1	35 - 005	515-0006-06-02	RAIL	A515-0008	1
32 - 011	515-0230-15-01	CAP	A515-0210	1	35 - 010	515-0230-15-01	CAP	A515-0210	1
32 - 014	118-2100-31-1	COLLAR	A515-0210	1	35 - 013	118-2100-31-1	COLLAR	A515-0210	1
32 - 016	118-2100-31-1	COLLAR	A515-0210	1	35 - 015	118-2100-31-1	COLLAR	A515-0210	1
32 - 017	515-0230-29-01	BRACKET	A515-0215	1	35 - 016	515-0231-01-06	BRACKET	A515-0216	1
32 - 021	515-0230-06-05	BRACKET	A515-0215	1	35 - 018	515-0231-02-04	BRACKET	A515-0216	1
32 - 024	515-0006-05-02	RAIL	A515-0008	1	36 - 010	515-0230-36-01	STOPPER	A515-0266	2
32 - H001	H1023-1027-37	STOPPER NBR 19X32 X10	A515-0215	1	36 - 015	515-0221-06-02	KEY	A515-0210	1

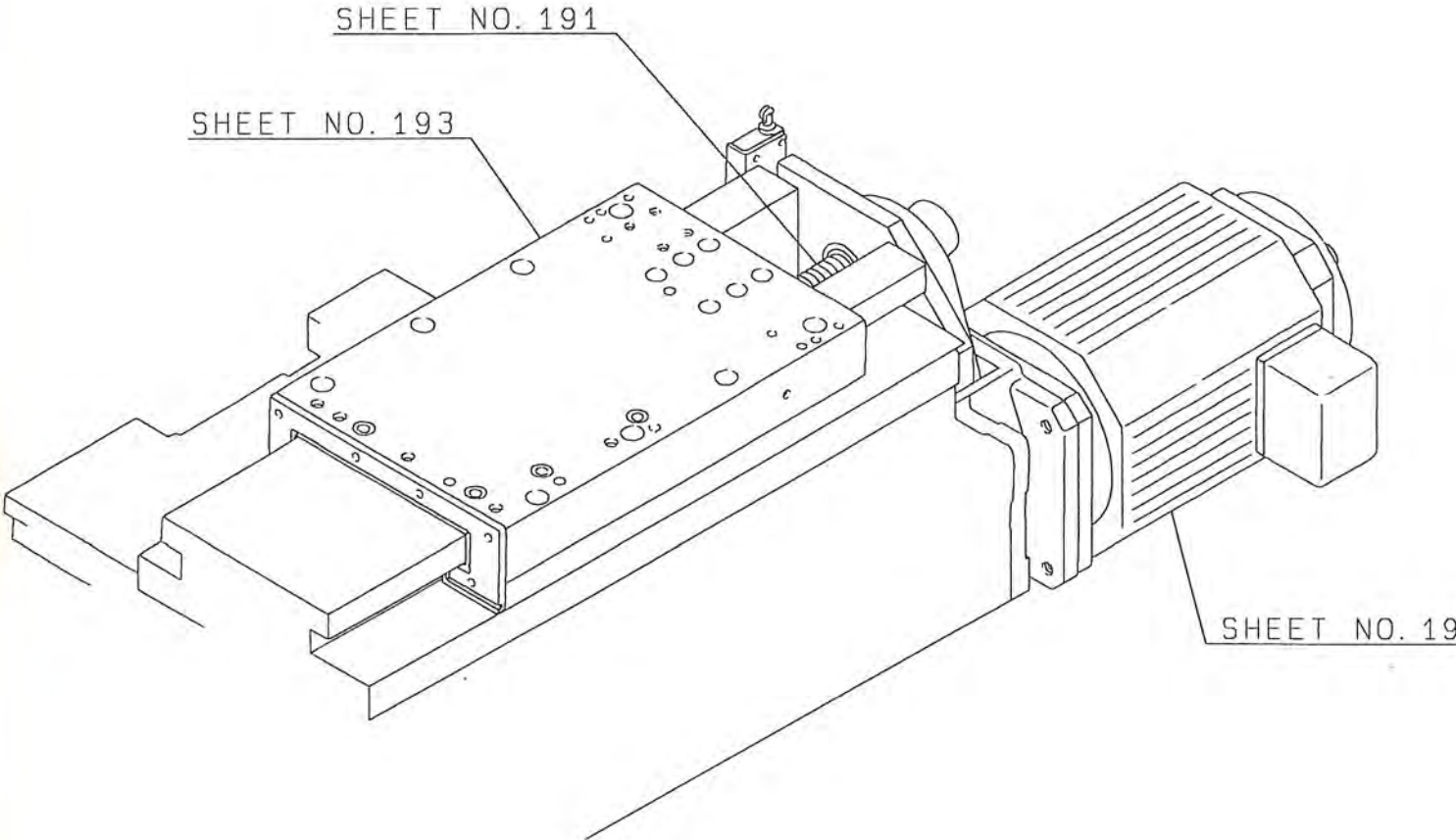
SHEET - ITEM	PART NO.	DESCRIPTION	UNIT NO.	QTY	SHEET - ITEM	PART NO.	- DESCRIPTION	UNIT NO.	QTY
36 - 024	515-1085-04-01	COVER	A515-0216	1	38 - 049	515-0255-36	BLOCK	A515-0258	1
36 - 027	522-0230-24	PULLEY	A515-0210	1	38 - 052	515-0255-24	PLATE	A515-0255	1
36 - 045	522-0230-25-02	BUSHING	A515-0210	1	38 - 053	515-0255-25	PLATE	A515-0255	1
36 - 052	515-0231-06-2	PLATE	A515-0216	1	38 - 056	515-0255-17	PLATE	A515-0255	1
36 - 053	515-0231-12-02	BRACKET	A515-0216	1	38 - 057	515-0255-18	PLATE	A515-0255	1
36 - 055	515-0231-13-02	DOG	A515-0216	1	38 - 060	515-0255-32	BLOCK	A515-0258	1
36 - H001	H1024-0002-26	BELLOWS (2SC)	A515-0266	1	38 - 062	515-0255-33	BLOCK	A515-0258	1
36 - H002	H1023-1027-37	STOPPER NBR 19X32 X10	A515-0266	2	38 - 068	515-0255-37	BLOCK	A515-0258	1
36 - H003	H1024-0002-25	BELLOWS (2SC)	A515-0266	1	38 - 072	515-0255-27	PLATE	A515-0255	1
36 - H004	H1014-0005-67-1	BALL SCREW (2SC)	A515-0272	1	38 - 074	515-0255-21	PLATE	A515-0255	1
37 - 003	515-0255-01-10	SADDLE	A515-0255	1	38 - 077	515-0255-34	BLOCK	A515-0258	1
37 - 007	515-0201-17-03	SUPPORT	A515-0255	1	38 - H002	H1023-0012-34	WIPER	A515-0255	1
37 - 011	515-0255-03-01	GIB	A515-0255	1	38 - H003	H1023-0012-39	WIPER	A515-0255	1
37 - 013	515-0201-08-1	BLOCK	A515-0255	1	38 - H005	H1023-0012-31	WIPER	A515-0255	1
37 - 021	515-0255-02-6	PLATE	A515-0255	1	38 - H006	H1023-0012-32	WIPER	A515-0255	1
37 - 022	515-0201-05-2	GIB	A515-0255	1	38 - H008	H1023-0012-38	WIPER	A515-0255	1
37 - 026	515-0255-30	PLATE	A515-0255	1	38 - H009	H1023-0012-36	WIPER	A515-0255	1
37 - 027	515-0255-28	GIB	A515-0255	1	38 - H011	H1023-0012-33	WIPER	A515-0255	1
37 - 028	515-0255-29	GIB	A515-0255	1	38 - H012	H1032-1006-40	PACKING	A515-0255	1
37 - 029	101-0300-14	NUT	A515-0255	2	38 - H013	H1020-1106-98	PLATE	A515-0255	1
37 - 030	101-0300-13-1	SCREW	A515-0255	2	38 - H014	H1020-1106-96	PLATE	A515-0255	1
38 - 006	515-0255-11	PLATE	A515-0255	1	38 - H015	H1032-1006-38	WIPER	A515-0255	1
38 - 013	515-0255-08-02	PLATE	A515-0255	1	38 - H020	H1023-0012-37	WIPER	A515-0255	1
38 - 016	515-0255-09	CAP	A515-0255	1	38 - H021	H1032-1006-41	PACKING	A515-0255	1
38 - 020	515-0255-14	COVER	A515-0255	1	38 - H022	H1020-1106-99	PLATE	A515-0255	1
38 - 023	515-0255-12-04	PLATE	A515-0255	1	38 - H023	H1020-1106-97	PLATE	A515-0255	1
38 - 028	515-0255-10	COVER	A515-0255	1	38 - H024	H1032-1006-39	PACKING	A515-0255	1
38 - 038	515-0255-19	COVER	A515-0255	1	38 - H026	H1023-0012-35	WIPER	A515-0255	1
38 - 046	515-0255-35	BLOCK	A515-0258	1	38 - H028	H1023-0007-38-1	WIPER	A515-0255	1
					39 - 002	515-0230-01-2	BASE, motor	A515-0210	1

SHEET -ITEM	PART NO.	DESCRIPTION	UNIT NO.	QTY	SHEET -ITEM	PART NO.	DESCRIPTION	UNIT NO.	QTY
39 -009	112-0320-09	NUT, lock	A515-0210	1					
39 -010	112-0320-10-1	WASHER, lock	A515-0210	1					
39 -013	515-0230-01-2	BASE, motor	A515-0210	1					
39 -020	112-0320-09	NUT, lock	A515-0210	1					
39 -021	112-0320-10-1	WASHER, lock	A515-0210	1					
39 -H001	H1019-0004-44	TIMING PULLEY	A515-0210	1					
39 -H002	H1019-0004-54	TIMING PULLEY	A515-0210	1					

PURCHASE PARTS LIST

PARTS NO.	DESCRIPTION	PARTS NO.	DESCRIPTION
E3012-891-001	L. S. YAMATAKE 1LS1-J		
F1100-040-05808	SEAL, oil NOK SB40588		
M000-6206LLBP5	BALL BEARING NTN 6206LLBP5		
M009-0006-62	BEARING NSK		
M119-0008-33	STS BELT BANDO 250S8M712		





(4) X-AXIS GROUP (1SC 800)

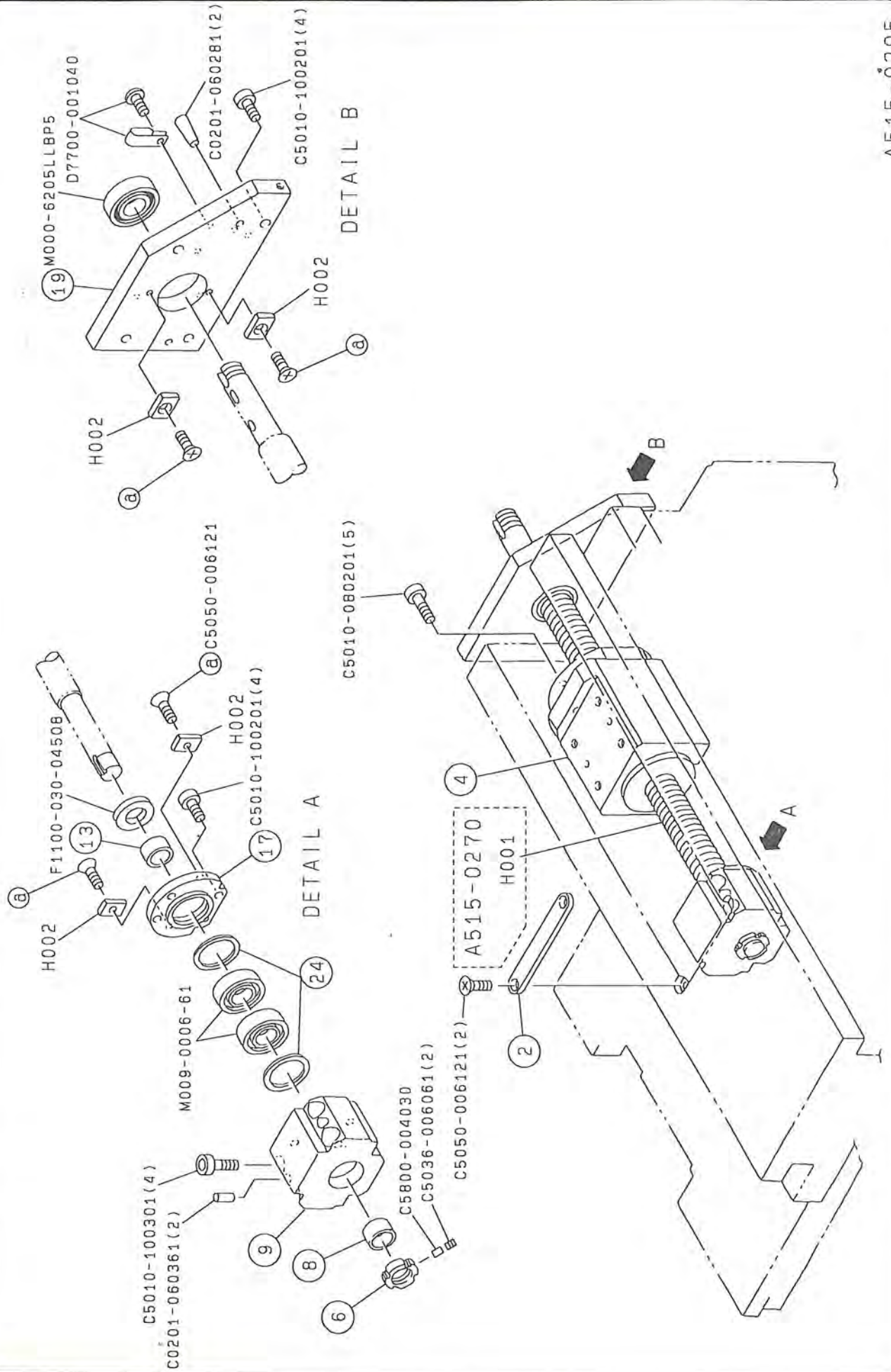
~ CONTENTS ~

SHEET NO.	ASSEMBLY NAME	PAGE
191	UPPER X-AXIS BALL-SCREW	132
192	UPPER X-AXIS DRIVE DEVICE	133
193	UPPER CROSS-SLIDE INSTALLATION	134
I	INDEX NO. LIST	135
P/P	PURCHASE PARTS LIST	136

4

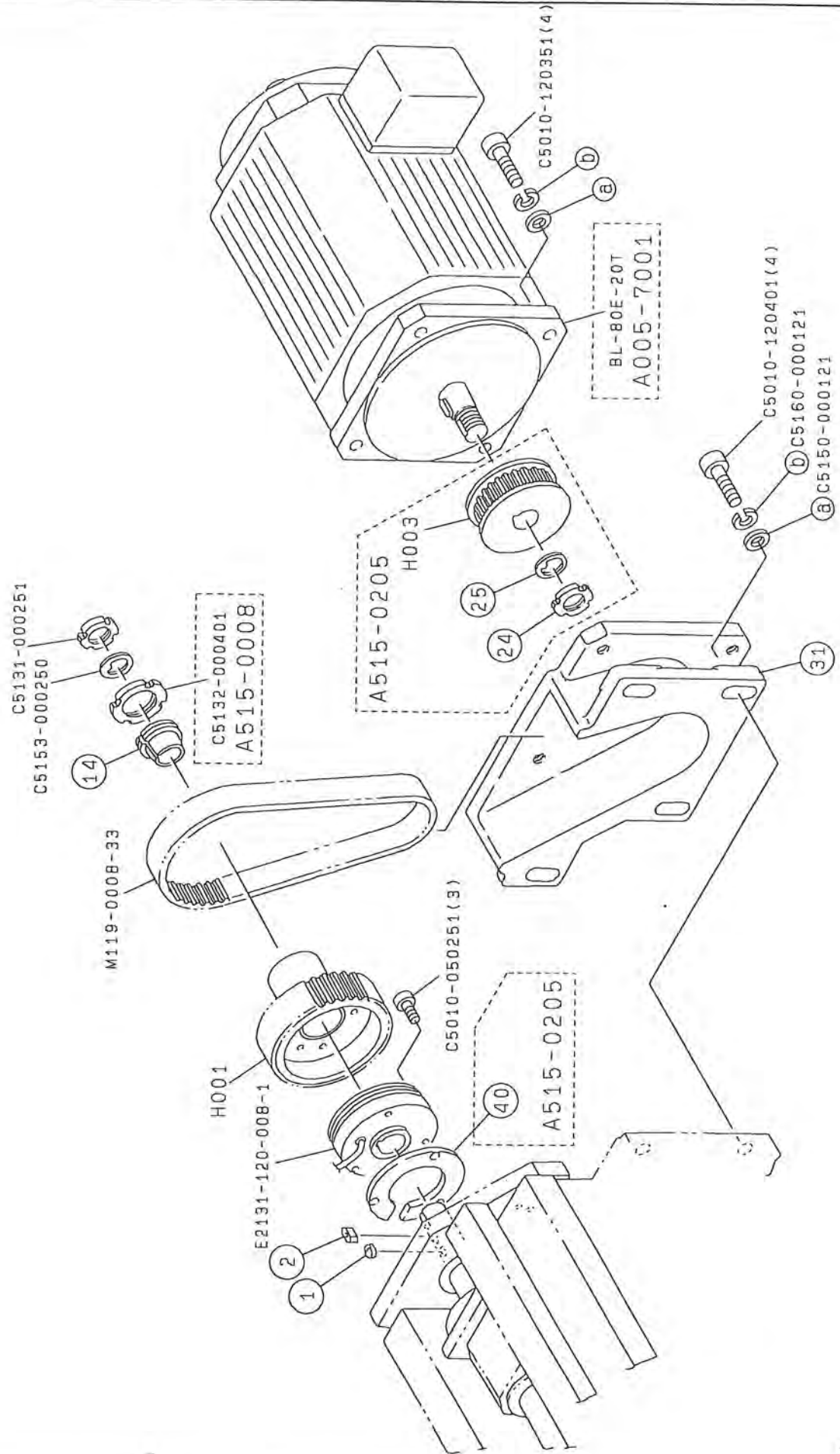
SHEET NO. 191 UPPER X-AXIS BALL-SCREW

9205



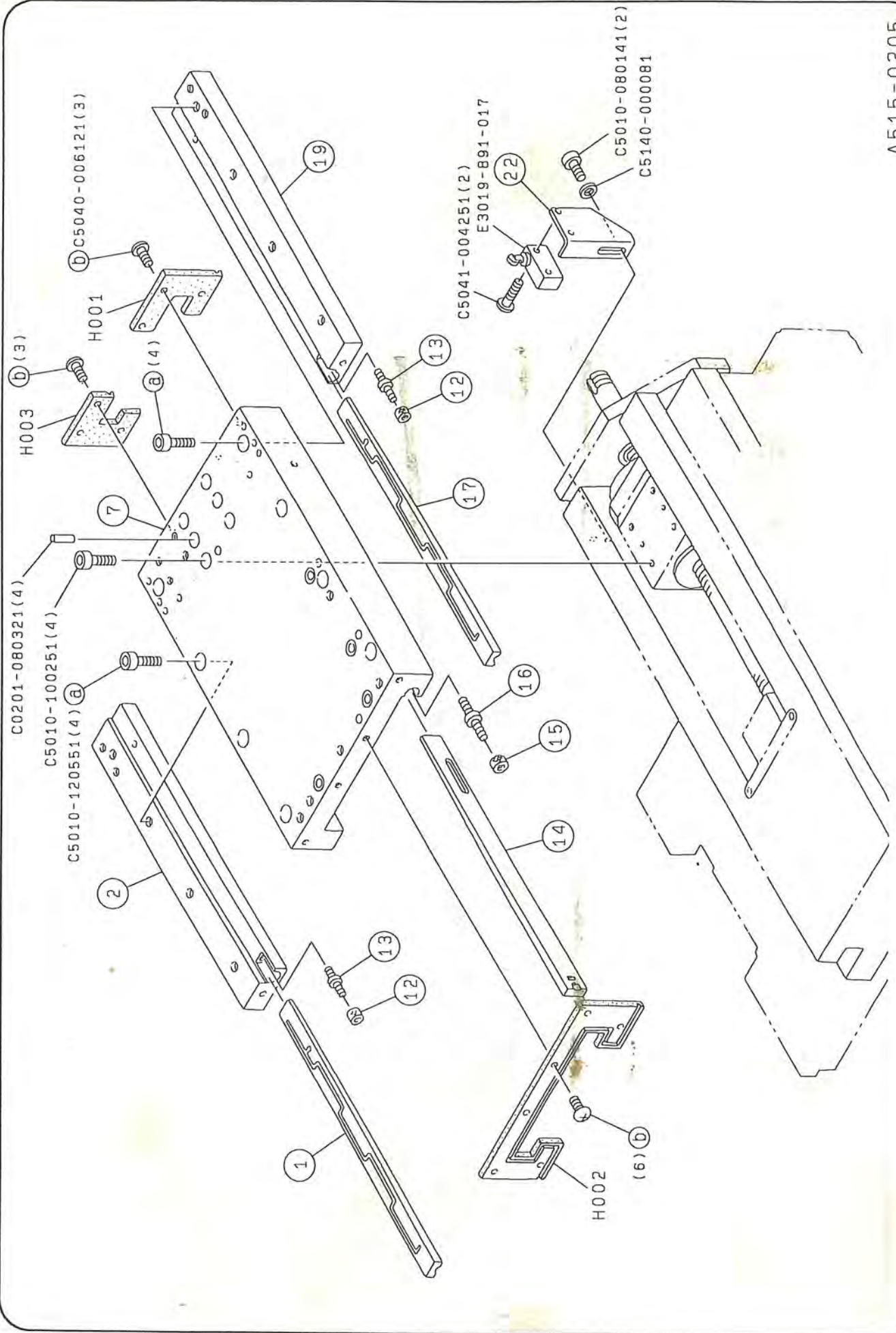
SHEET NO. 192 UPPER X-AXIS DRIVE DEVICE

9205



SHEET NO. 193 UPPER CROSS-SLIDE INSTALLATION

9205



A515-0205

OKUMA Corporation

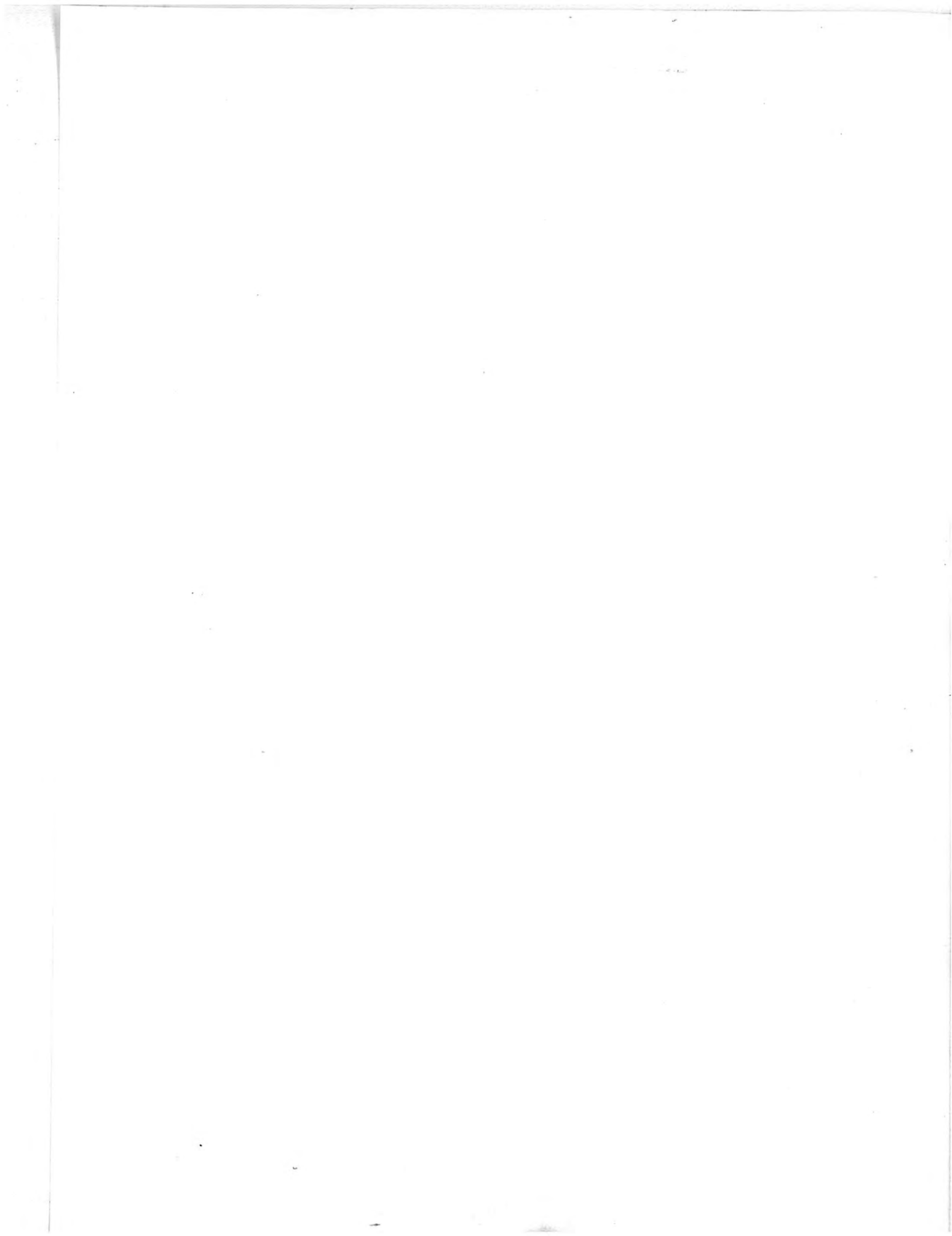
LR1525C/15C193

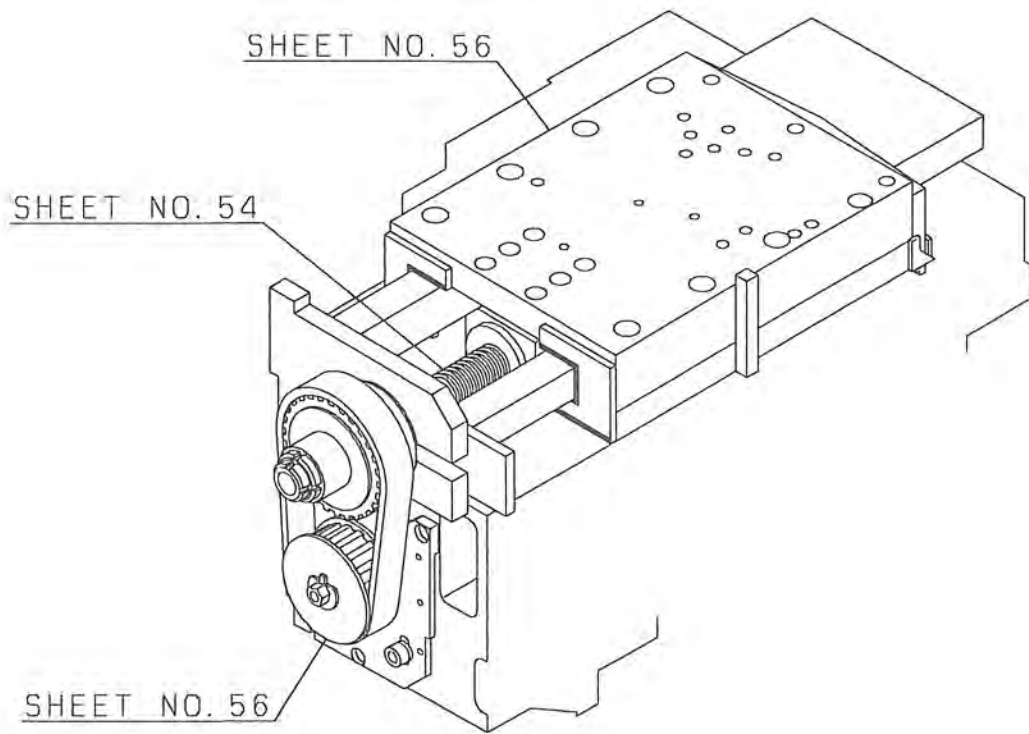
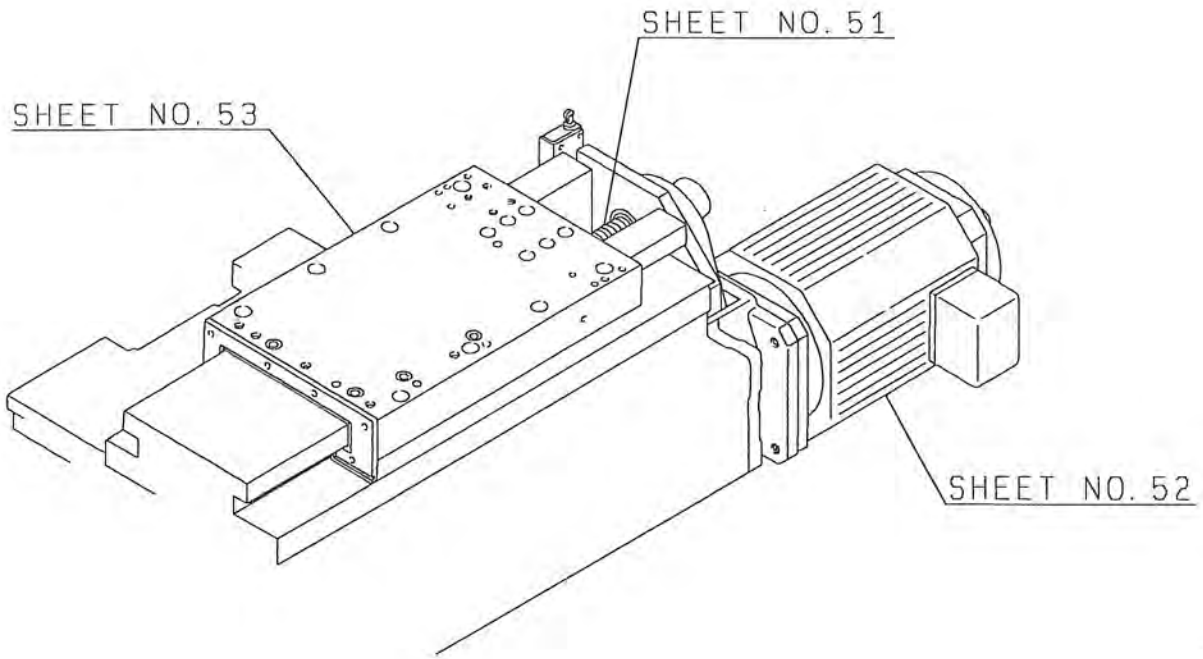
INDEX NO. LIST

SHEET - ITEM	PART NO.	DESCRIPTION	UNIT NO.	QTY	SHEET - ITEM	PART NO.	DESCRIPTION	UNIT NO.	QTY
191 -002	515-0200-07-2	PLATE	A515-0205	1	193 -019	515-0210-03-4	PLATE	A515-0205	1
191 -004	515-0220-02-4	HOUSING	A515-0205	1	193 -022	515-0220-19-1	SUPPORT	A515-0205	1
191 -006	515-0220-43-1	NUT	A515-0205	1	193 -H001	H1023-0007-47	WIPER	A515-0205	1
191 -008	515-0220-07-2	COLLAR	A515-0205	1	193 -H002	H1023-0007-46	WIPER	A515-0205	1
191 -009	515-0220-46-1	HOUSING	A515-0205	1	193 -H003	H1023-0007-48	WIPER	A515-0205	1
191 -013	515-0220-06-3	COLLAR	A515-0205	1					
191 -017	515-0220-04	CAP	A515-0205	1					
191 -019	515-0220-03-5	PLATE	A515-0205	1					
191 -024	117-0200-08-2	COLLAR	A515-0205	2					
191 -H001	H1014-0005-65	BALL SCREW	A515-0270	1					
191 -H002	H1022-1032-53	CUSHION	A515-0205	4					
192 -001	515-0220-39	KEY	A515-0230	1					
192 -002	515-0200-17-01	KEY	A515-0230	1					
192 -014	522-0220-22-03	BUSHING	A515-0230	1					
192 -024	112-0320-09	NUT	A515-0205	1					
192 -025	112-0320-10-1	WASHER, lock	A515-0205	1					
192 -031	515-0200-06-2	BASE, motor	A515-0230	1					
192 -040	515-0221-44	SPACER	A515-0205	1					
192 -H001	H1019-0008-18	PULLEY	A515-0230	1					
192 -H003	H1019-0005-76	PULLEY	A515-0205	1					
193 -001	515-0210-05-2	GIB	A515-0205	2					
193 -002	515-0210-02-3	PLATE	A515-0205	1					
193 -007	515-0210-01-8	CROSS-SLIDE	A515-0205	1					
193 -012	101-0300-14	NUT	A515-0205	2					
193 -013	101-0300-13-1	BOLT	A515-0205	2					
193 -014	515-0210-04-5	GIB	A515-0205	1					
193 -015	108-0301-18-2	NUT	A515-0205	1					
193 -016	108-0301-17-1	BOLT	A515-0205	1					
193 -017	515-0210-05-2	GIB	A515-0205	2					

PURCHASE PARTS LIST

PARTS NO.	DESCRIPTION	PARTS NO.	DESCRIPTION
E2131-120-008-1 E3019-891-017	BRAKE OGURA RNB0.4G L. S. YAMATAKE SL1-A		
F1100-030-04508	SEAL, oil NOK SB30458		
M000-6205LLBP5 M009-0006-61 M119-0008-33	BALL BEARING 6205LLBP5 BEARING NSK STS BELT BANDO 250S8M712		





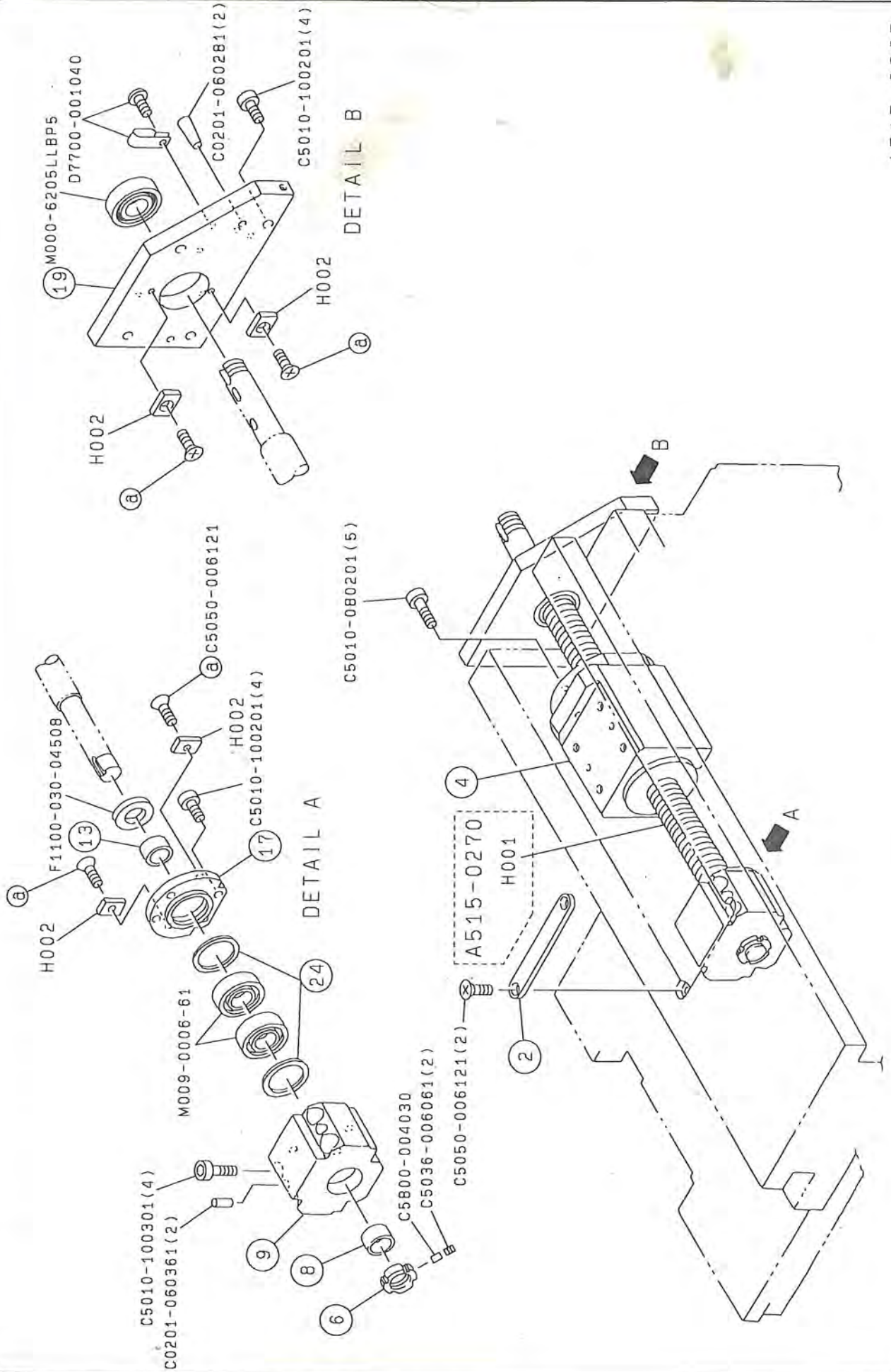
(5) X-AXIS GROUP (2SC 600)

~ CONTENTS ~

SHEET NO.	ASSEMBLY NAME	PAGE
51	----- UPPER X-AXIS BALL-SCREW	152
52	----- UPPER X-AXIS DRIVE DEVICE	153
53	----- UPPER CROSS-SLIDE INSTALLATION	154
54	----- LOWER X-AXIS BALL-SCREW	155
55	----- LOWER X-AXIS DRIVE DEVICE	156
56	----- LOWER CROSS-SLIDE INSTALLATION	157
I	----- INDEX NO. LIST	158
P/P	----- PURCHASE PARTS LIST	159

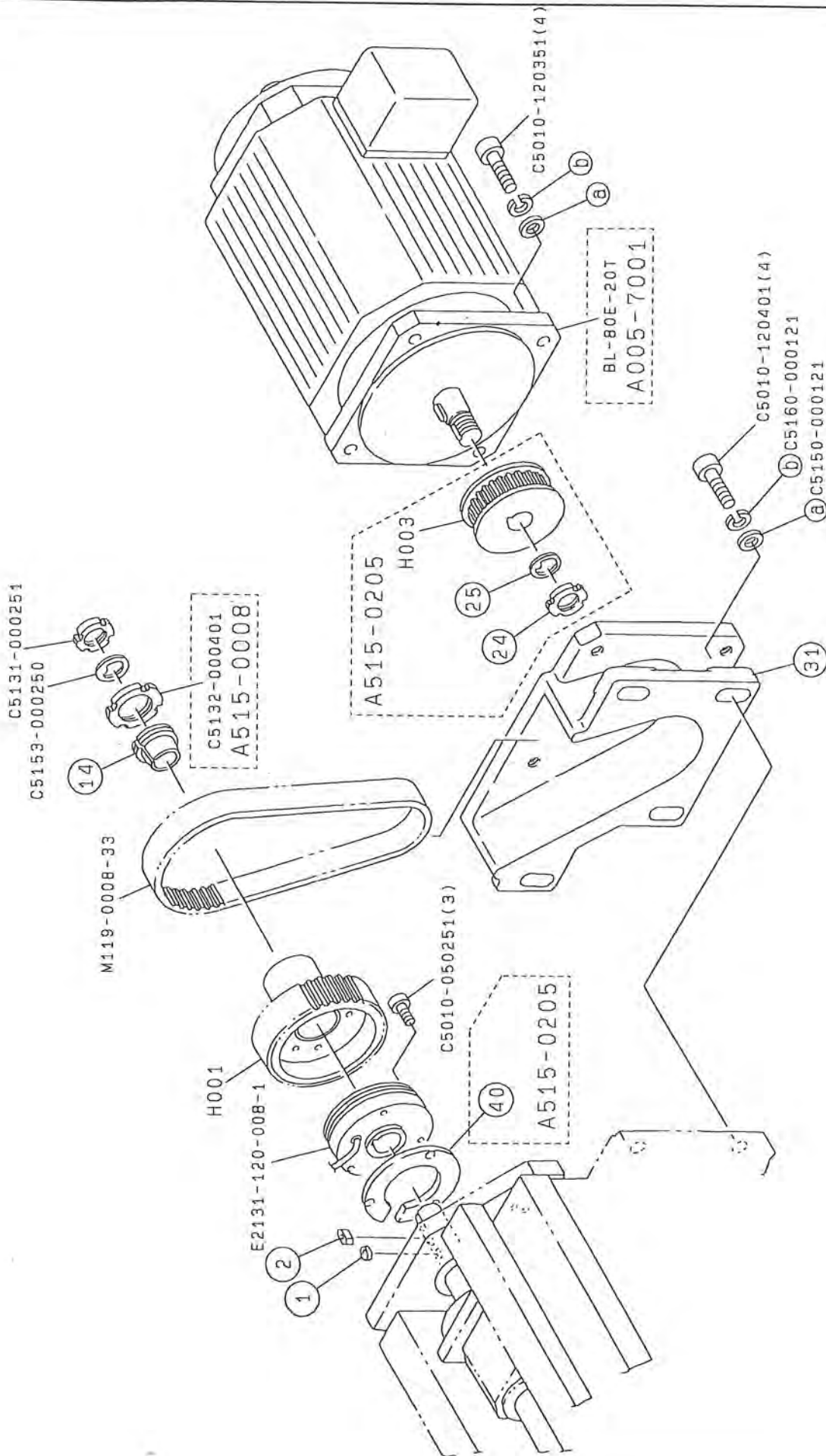
SHEET NO. 51 UPPER X-AXIS BALL-SCREW

9205



SHEET NO. 52 UPPER X-AXIS DRIVE DEVICE

9205



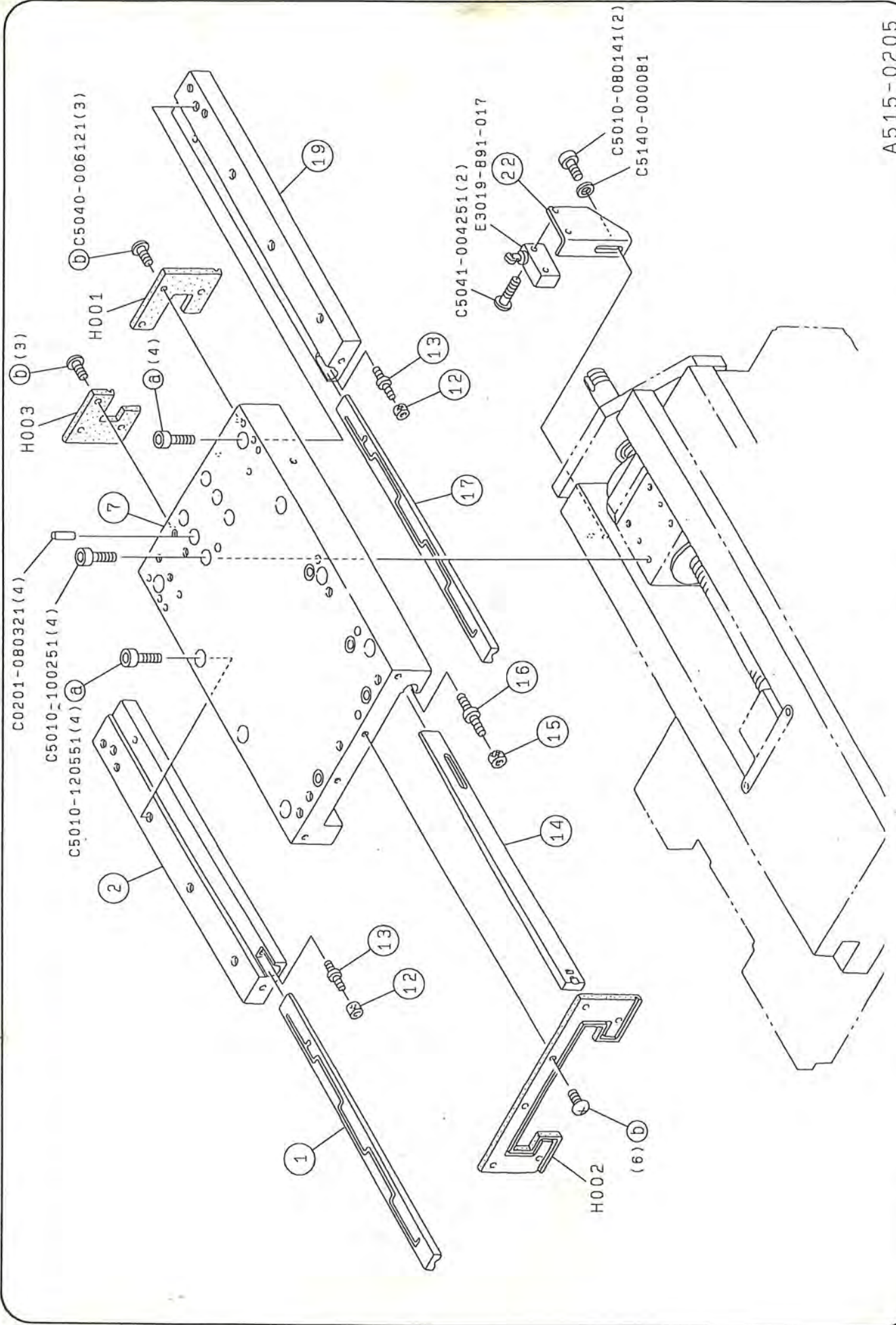
A515-0230

OKUMA Corporation

LR1525C/15C052

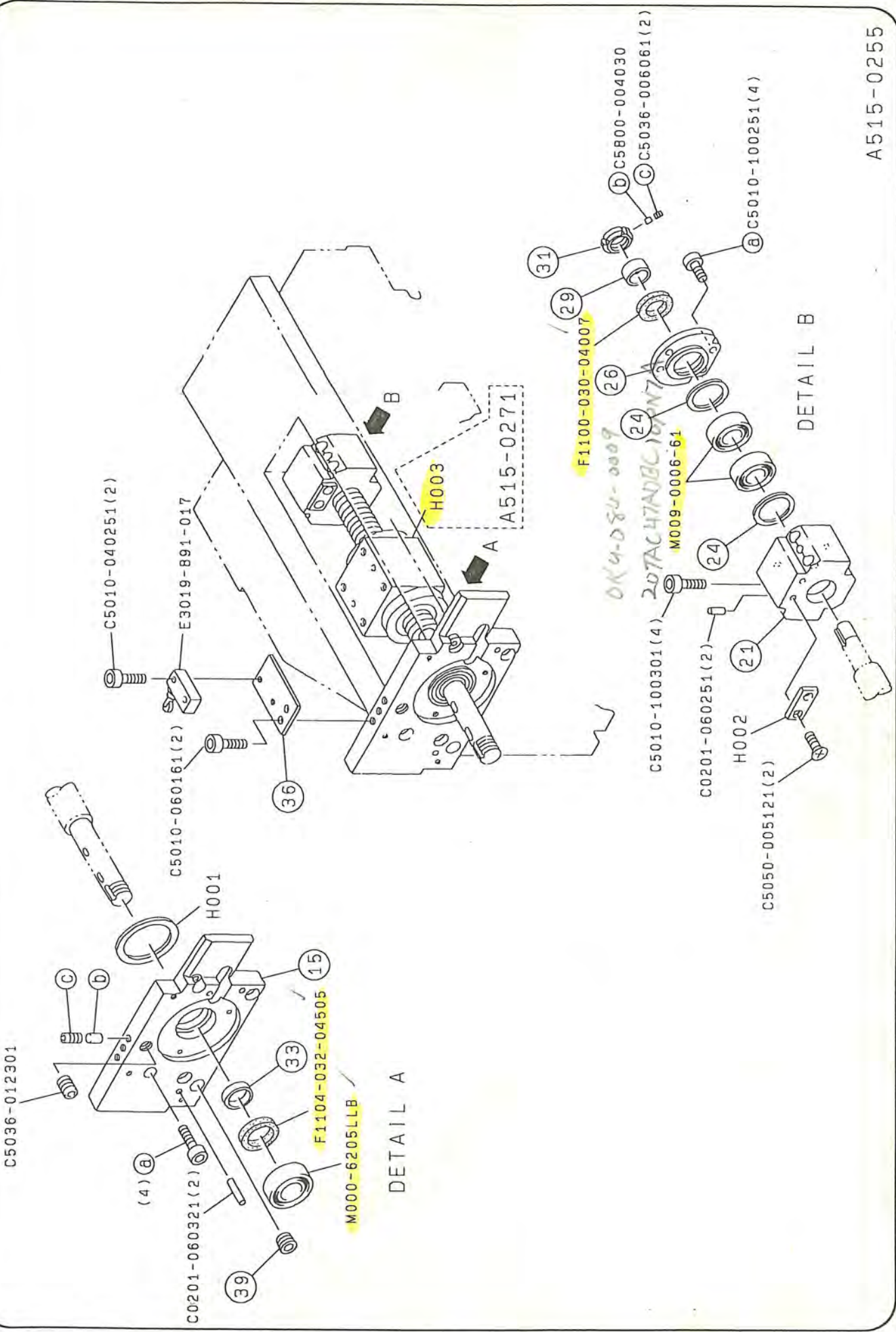
SHEET NO. 53 UPPER CROSS-SLIDE INSTALLATION

9205



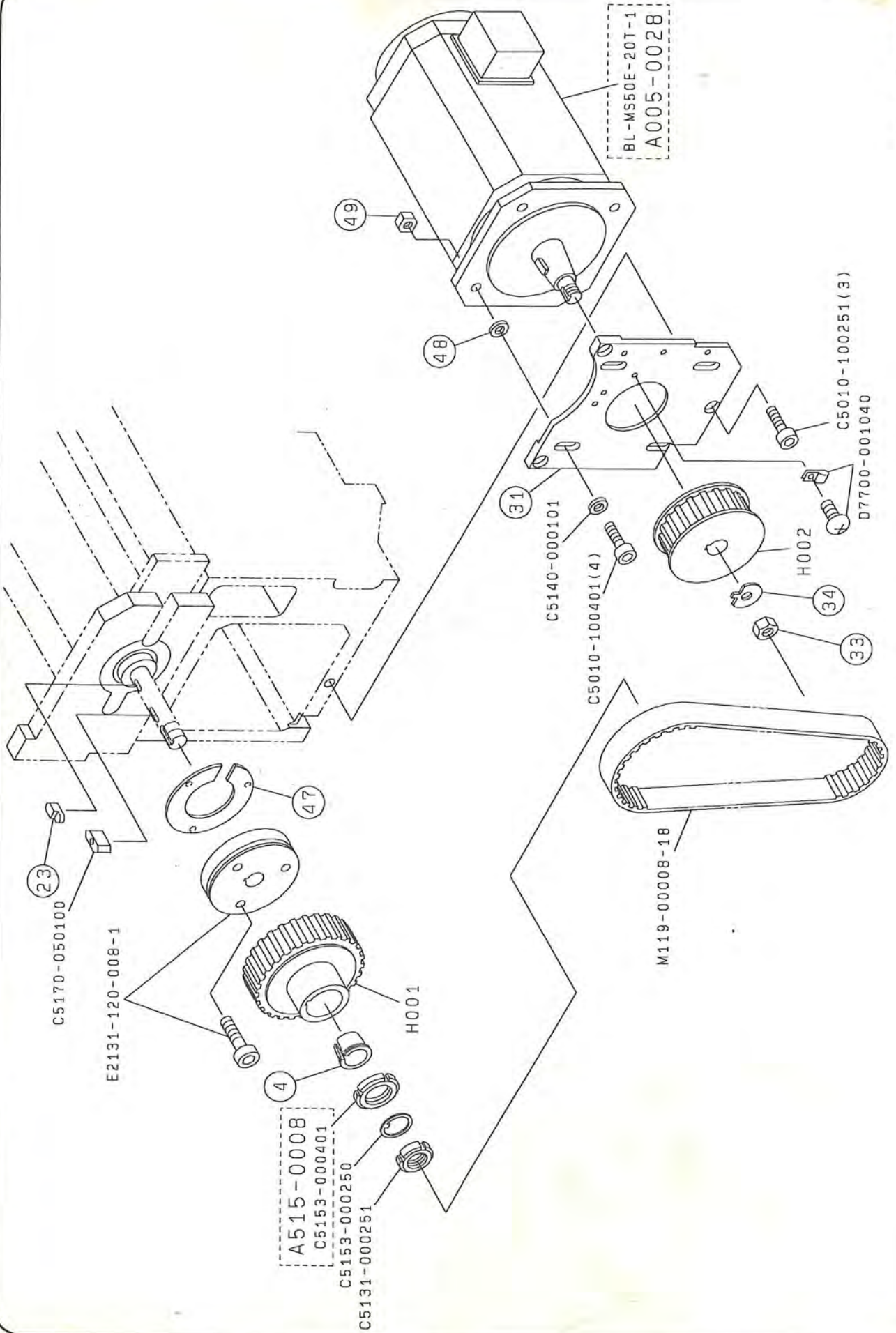
SHEET NO. 54 LOWER X-AXIS BALL-SCREW

9205



SHEET NO. 55 LOWER X-AXIS DRIVE DEVICE

9205



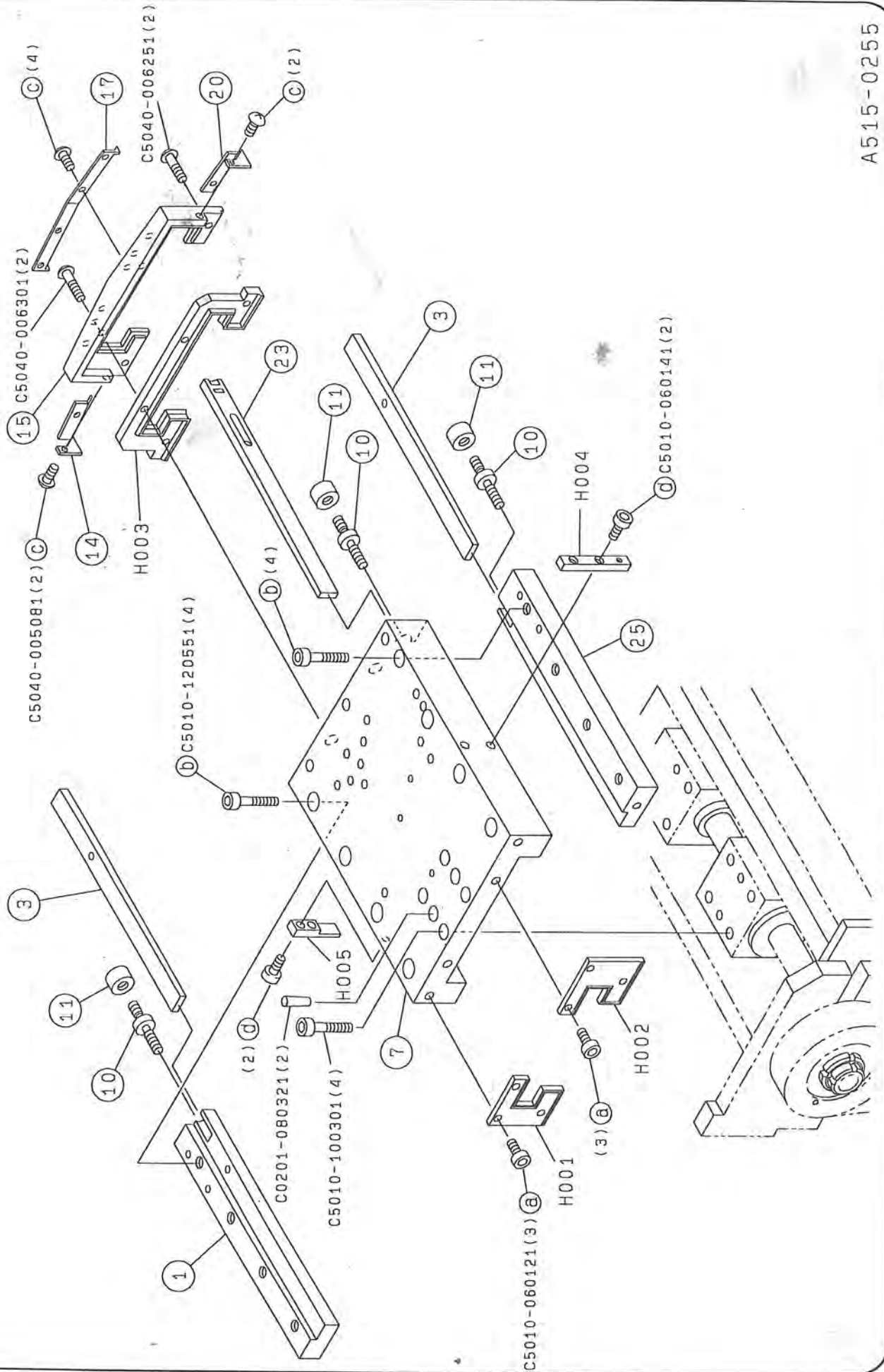
A515-0255

OKUMA Corporation

IR15250/150055

SHEET NO. 56 LOWER CROSS-SLIDE INSTALLATION

9205



A515-0255

OKUMA Corporation

LR1525C/15C056

SHEET -ITEM	PART NO.	DESCRIPTION	UNIT NO.	QTY	SHEET -ITEM	PART NO.	DESCRIPTION	UNIT NO.	QTY
51 - 002	515-0200-07-2	PLATE	A515-0205	1	53 - 019	515-0210-03-4	PLATE	A515-0205	1
51 - 004	515-0220-02-4	HOUSING	A515-0205	1	53 - 022	515-0220-19-1	SUPPORT	A515-0205	1
51 - 006	515-0220-43-1	NUT	A515-0205	1	53 - H001	H1023-0007-47	WIPER	A515-0205	1
51 - 008	515-0220-07-2	COLLAR	A515-0205	1	53 - H002	H1023-0007-46	WIPER	A515-0205	1
51 - 009	515-0220-46-1	HOUSING	A515-0205	1	53 - H003	H1023-0007-48	WIPER	A515-0205	1
51 - 013	515-0220-06-3	COLLAR	A515-0205	1					
51 - 017	515-0220-04	CAP	A515-0205	1	54 - 015	515-0221-42-5	PLATE	A515-0255	1
51 - 019	515-0220-03-5	PLATE	A515-0205	1	54 - 021	515-0221-01-6	HOUSING	A515-0255	1
51 - 024	117-0200-08-2	COLLAR	A515-0205	2	54 - 024	117-0200-08-2	COLLAR	A515-0255	2
51 - H001	H1014-0005-65	BALL SCREW	A515-0270	1	54 - 026	515-0221-02	CAP	A515-0255	1
51 - H002	H1022-1032-53	CUSHION	A515-0205	4	54 - 029	515-0221-03-1	COLLAR	A515-0255	1
					54 - 031	515-0220-43-1	NUT	A515-0255	1
52 - 001	515-0220-39	KEY	A515-0230	1	54 - 033	515-0221-04-2	COLLAR	A515-0255	1
52 - 002	515-0200-17-01	KEY	A515-0230	1	54 - 036	515-0211-23-2	PLATE	A515-0255	1
52 - 014	522-0220-22-03	BUSHING	A515-0230	1	54 - 039	515-0221-38	BUSHING	A515-0255	1
52 - 024	112-0320-09	NUT	A515-0205	1	54 - H001	H1022-1032-52	CUSHION NBR M55XM 75X5	A515-0255	1
52 - 025	112-0320-10-1	WASHER, lock	A515-0205	1	54 - H002	H1022-1032-51	CUSHION NBR 15X46 X5	A515-0255	1
52 - 031	515-0200-06-2	BASE, motor	A515-0230	1	54 - H003	H1014-0005-66	BALL SCREW	A515-0271	1
52 - 040	515-0221-44	SPACER	A515-0205	1					
52 - H001	H1019-0008-18	PULLEY	A515-0230	1	55 - 004	522-0220-22-03	BUSHING	A515-0255	1
52 - H003	H1019-0005-76	PULLEY	A515-0205	1	55 - 023	515-0220-39	KEY	A515-0255	1
					55 - 031	515-0221-07-6	BASE, motor	A515-0255	1
53 - 001	515-0210-06-2	GIB	A515-0205	2	55 - 033	515-0221-23	NUT	A515-0255	1
53 - 002	515-0210-02-3	PLATE	A515-0205	1	55 - 034	515-0221-08-01	WASHER	A515-0255	1
53 - 007	515-0210-01-8	CROSS-SLIDE	A515-0205	1	55 - 047	515-0221-44	SPACER	A515-0255	1
53 - 012	101-0300-14	NUT	A515-0205	2	55 - 048	515-0221-32	WASHER	A515-0255	4
53 - 013	101-0300-13-1	BOLT	A515-0205	2	55 - 049	515-0221-25-1	NUT	A515-0255	4
53 - 014	515-0210-04-5	GIB	A515-0205	1	55 - H001	H1019-0008-18	PULLEY	A515-0255	1
53 - 015	108-0301-18-2	NUT	A515-0205	1	55 - H002	H1019-0005-75	PULLEY	A515-0255	1
53 - 016	108-0301-17-1	BOLT	A515-0205	1					
53 - 017	515-0210-05-2	GIB	A515-0205	2	56 - 001	515-0211-02-4	PLATE	A515-0255	1

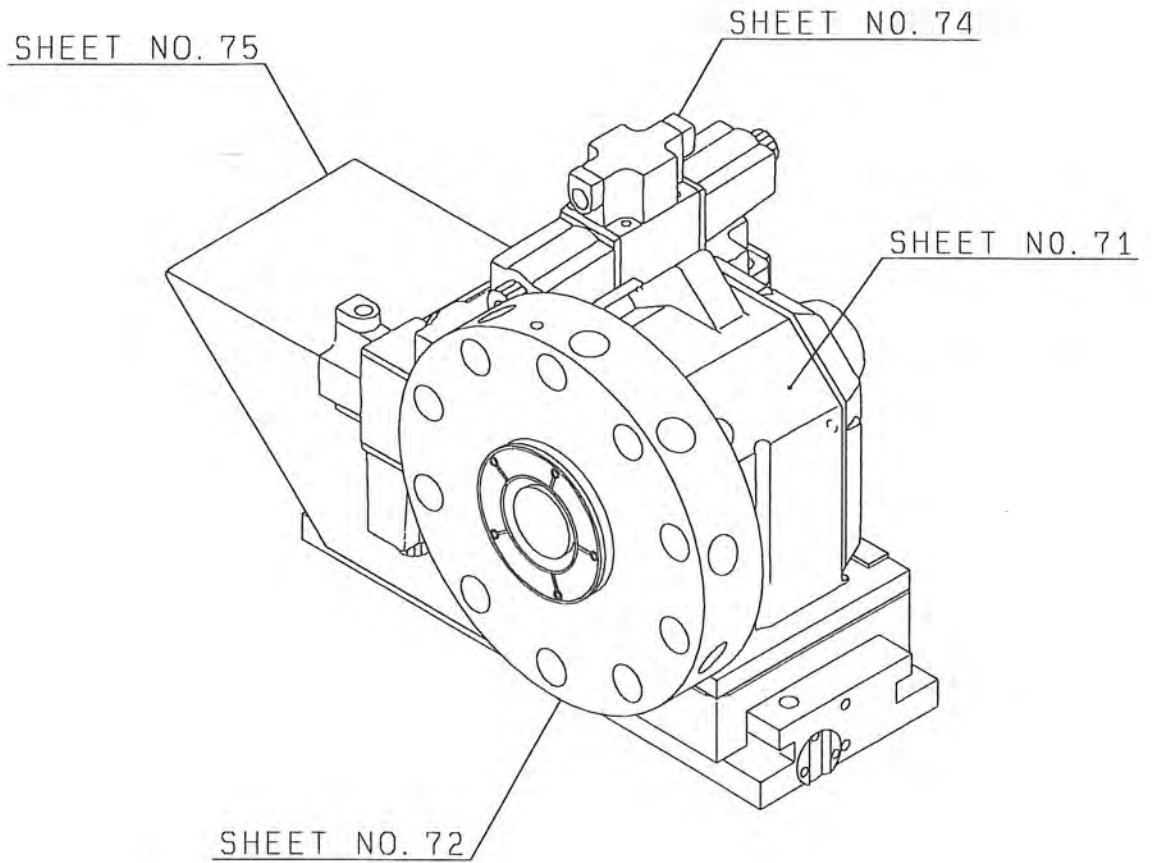
SHEET -ITEM	PART NO.	DESCRIPTION	UNIT NO.	QTY	SHEET -ITEM	PART NO.	DESCRIPTION	UNIT NO.	QTY
56 -003	515-0211-05-2	GIB	A515-0255	2					
56 -007	515-0211-01-7	CROSS-SLIDE	A515-0255	1					
56 -010	101-0300-13-1	BOLT	A515-0255	3					
56 -011	101-0300-14	NUT	A515-0255	3					
56 -014	515-0211-15-1	WIPER	A515-0255	1					
56 -015	515-0211-12-1	COVER	A515-0255	1					
56 -017	515-0211-13-2	WIPER	A515-0255	1					
56 -020	515-0211-14-1	WIPER	A515-0255	1					
56 -023	515-0211-04-3	GIB	A515-0255	1					
56 -025	515-0211-03-5	PLATE	A515-0255	1					
56 -H001	H1023-0007-55	WIPER	A515-0255	1					
56 -H002	H1023-0007-56	WIPER	A515-0255	1					
56 -H003	H1023-0007-54	WIPER	A515-0255	1					
56 -H004	H1022-1041-75	PLATE	A515-0255	1					
56 -H005	H1022-1037-60	PLATE	A515-0255	1					

PURCHASE PARTS LIST

PARTS NO.	DESCRIPTION	PARTS NO.	DESCRIPTION
E2131-120-008-1 E3019-891-017	BRAKE OGURA RNB0.4G L. S. YAMATAKE SL1-A		
F1100-030-04007 F1100-030-04508 F1104-032-04505	SEAL, oil NOK SB30407 SEAL, oil NOK SB30458 SEAL, oil NOK VB32455		
M000-6205LLB M000-6205LLBP5 M009-0006-61 M119-0008-18 M119-0008-33	BALL BEARING NSK 6205LLB BALL BEARING 6205LLBP5 BEARING NSK STS BELT BANDO 2508M600 STS BELT BANDO 250S8M712		

1841

1841



(6) UPPER INDEX GROUP

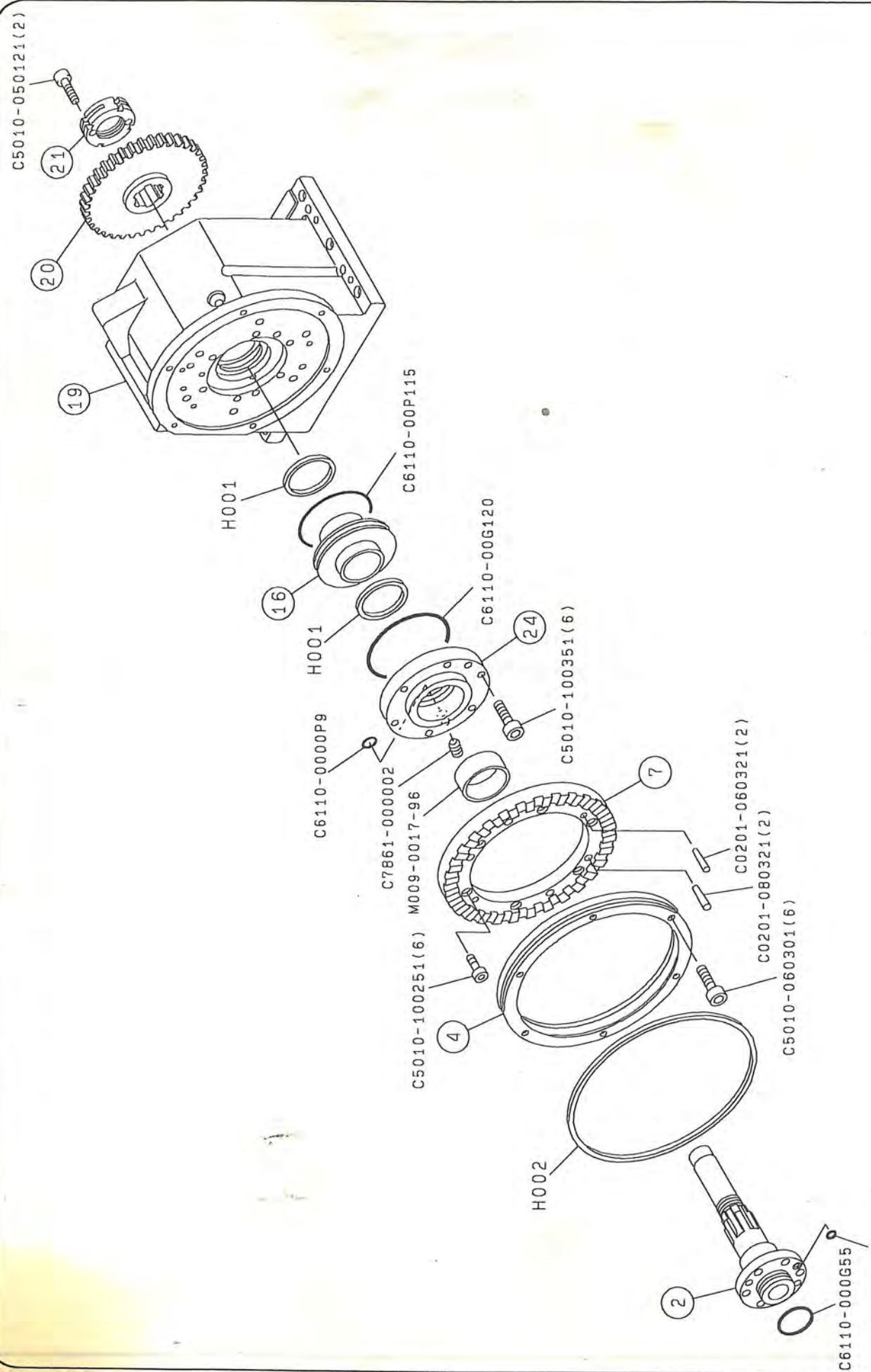
~ CONTENTS ~

SHEET NO.	ASSEMBLY NAME	PAGE
71	INDEX DRIVE DEVICE V10 (1)	182
72	INDEX DRIVE DEVICE V10 (2)	183
72A	INDEX DRIVE DEVICE V10 (2)	184
73	INDEX DRIVE DEVICE V10 (3)	185
74	CONTROL VALVE V10	186
75	INDEX INSTALLATION V10	187
75A	GAUGING DEVICE (1)	188
75B	GAUGING DEVICE (2)	189
75C	TOUCH SETTER DEVICE	190
76	TOOLING SYSTEM V10 (1)	191
76A	TOOLING SYSTEM V10 (1)	192
77	TOOLING SYSTEM V10 (2)	193
77A	TOOLING SYSTEM V10 (2)	194
I	INDEX NO. LIST	195
P/P	PURCHASE PARTS LIST	196

6

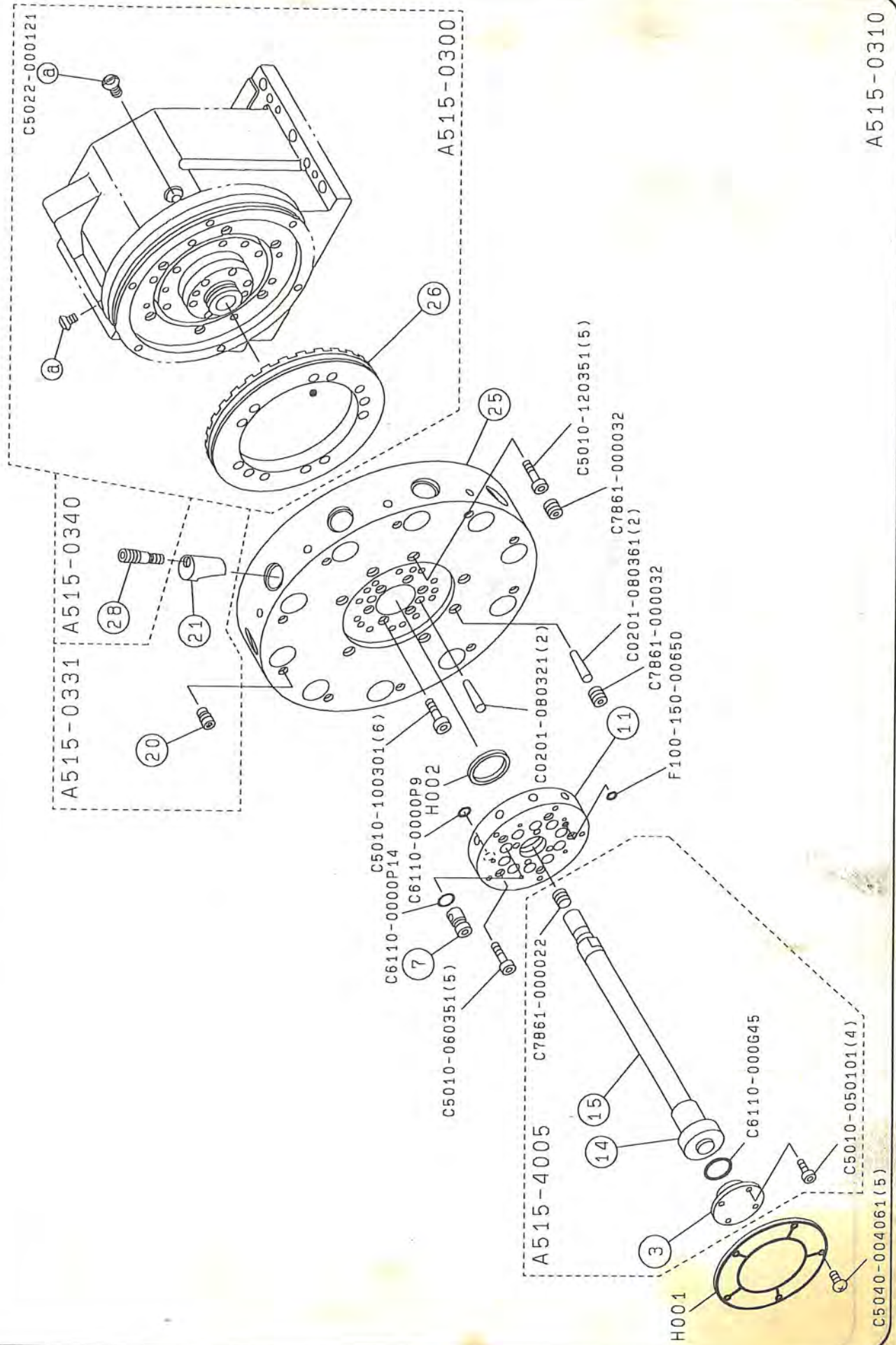
SHEET NO. 71 INDEX DRIVE DEVICE V10 (1)

9205



SHEET NO. 72 INDEX DRIVE DEVICE V10 (2)

9205



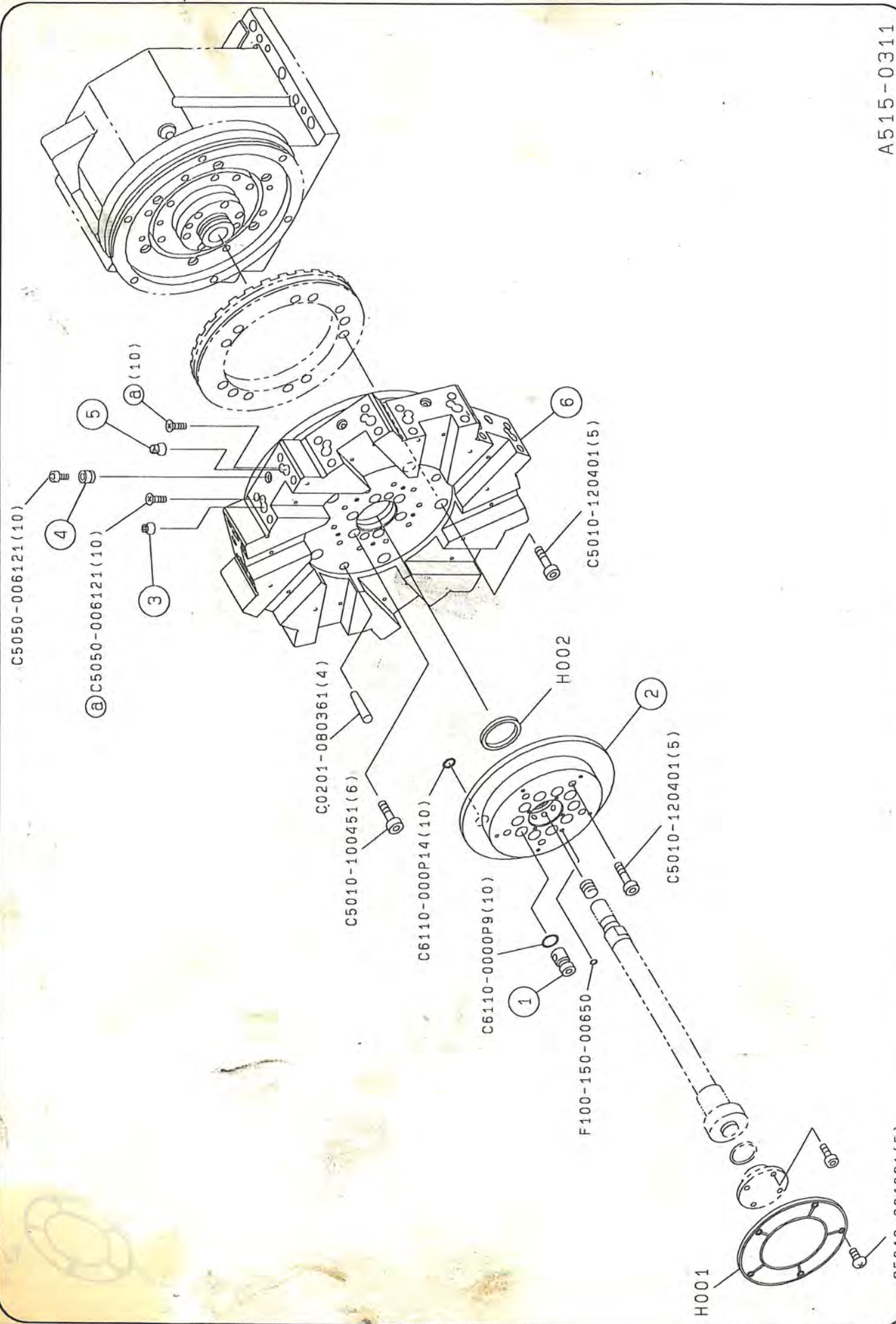
A515-0310

OKUMA Corporation

LR1525C/15C072

SHEET NO. 72A INDEX DRIVE DEVICE V10 (2)

9205



A515-0311

OKUMA Corporation

LR1525C/15C072A

C5010-120301(2)

C5160-000121

H001

22

C5010-060161

C5010-080251(2)

C0201-060251

C5010-060121(4)

C5010-080351(3)

E3053-396-015

C5140-000081

C5000-080121(2)

E3020-397-101

C5041-003161(2)

A515-4005

C5010-080201(2)

19

20

21

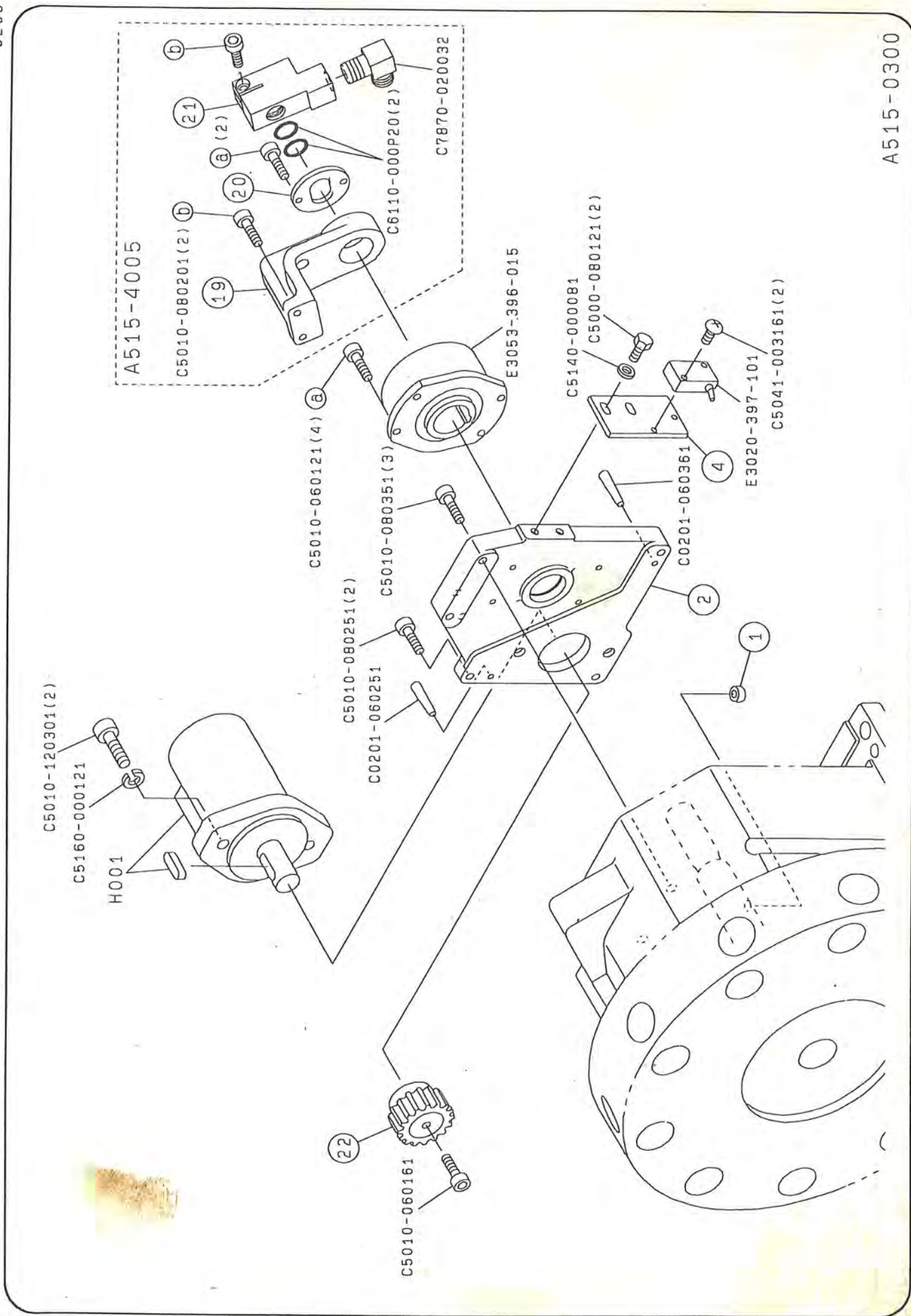
C6110-000P20(2)

C7870-020032

2

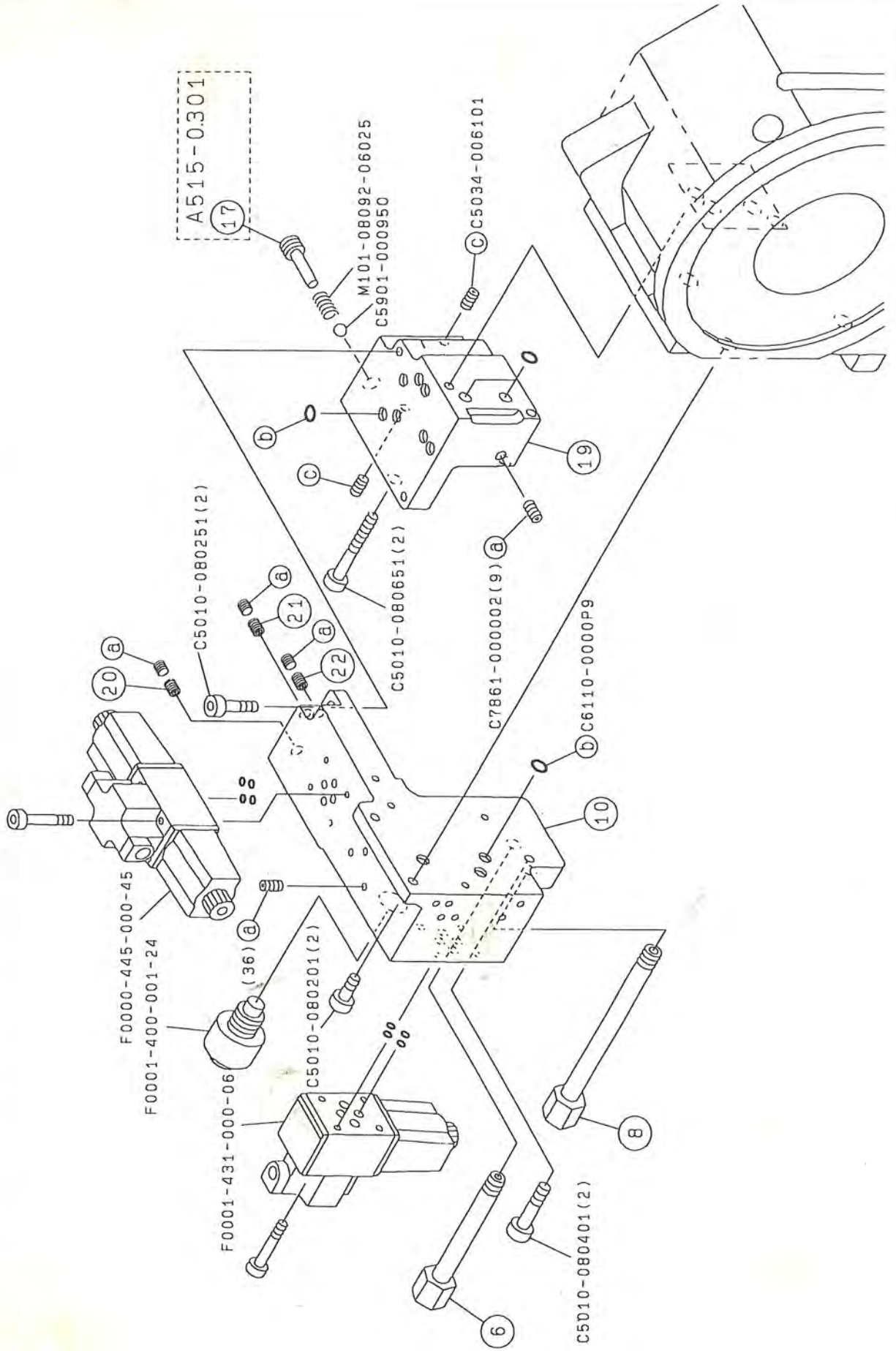
4

1



SHEET NO. 74 CONTROL VALVE V10

9205



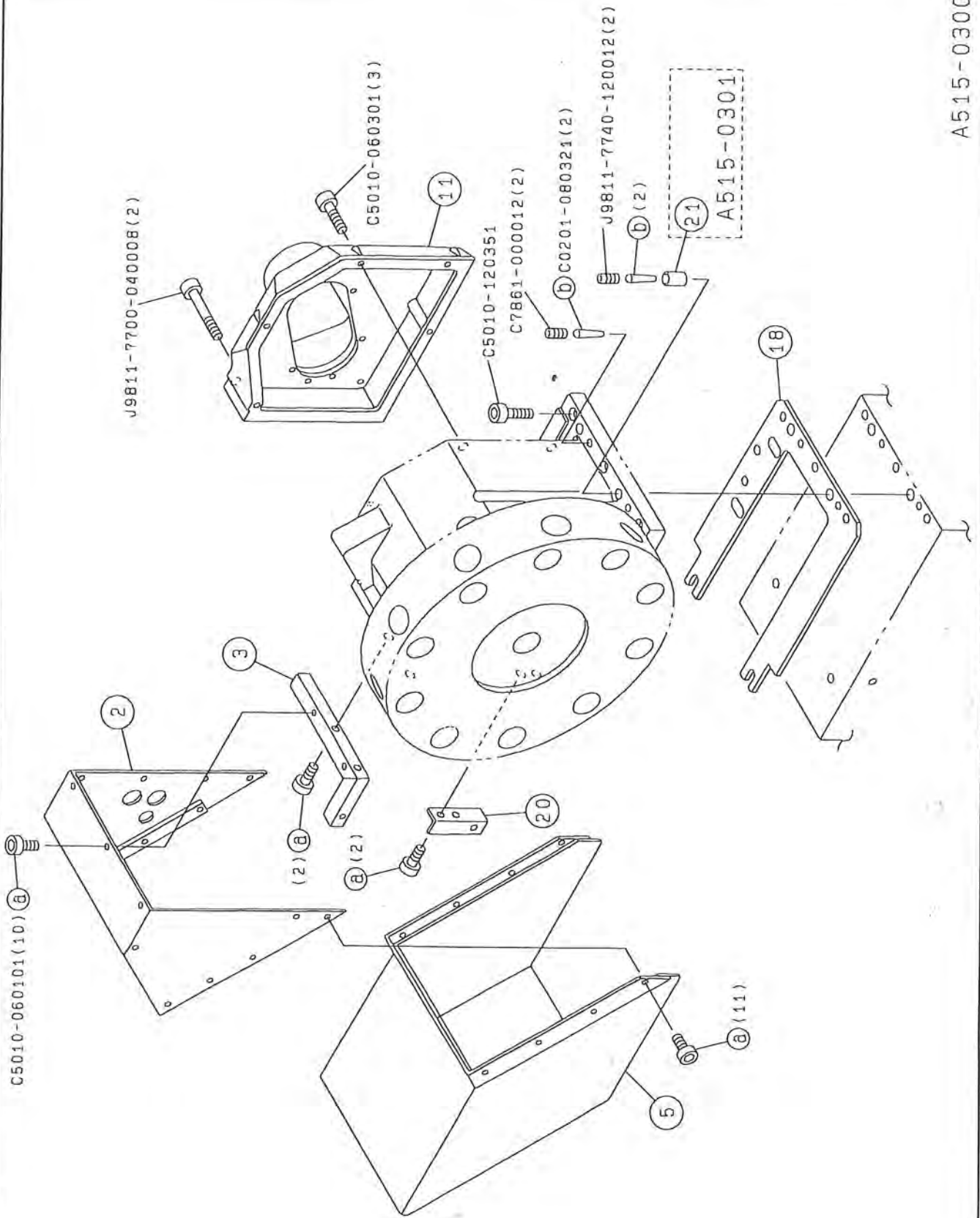
A515-0300

OKUMA Corporation

IR1525C/15C074

SHEET NO. 75 INDEX INSTALLATION V10

9205



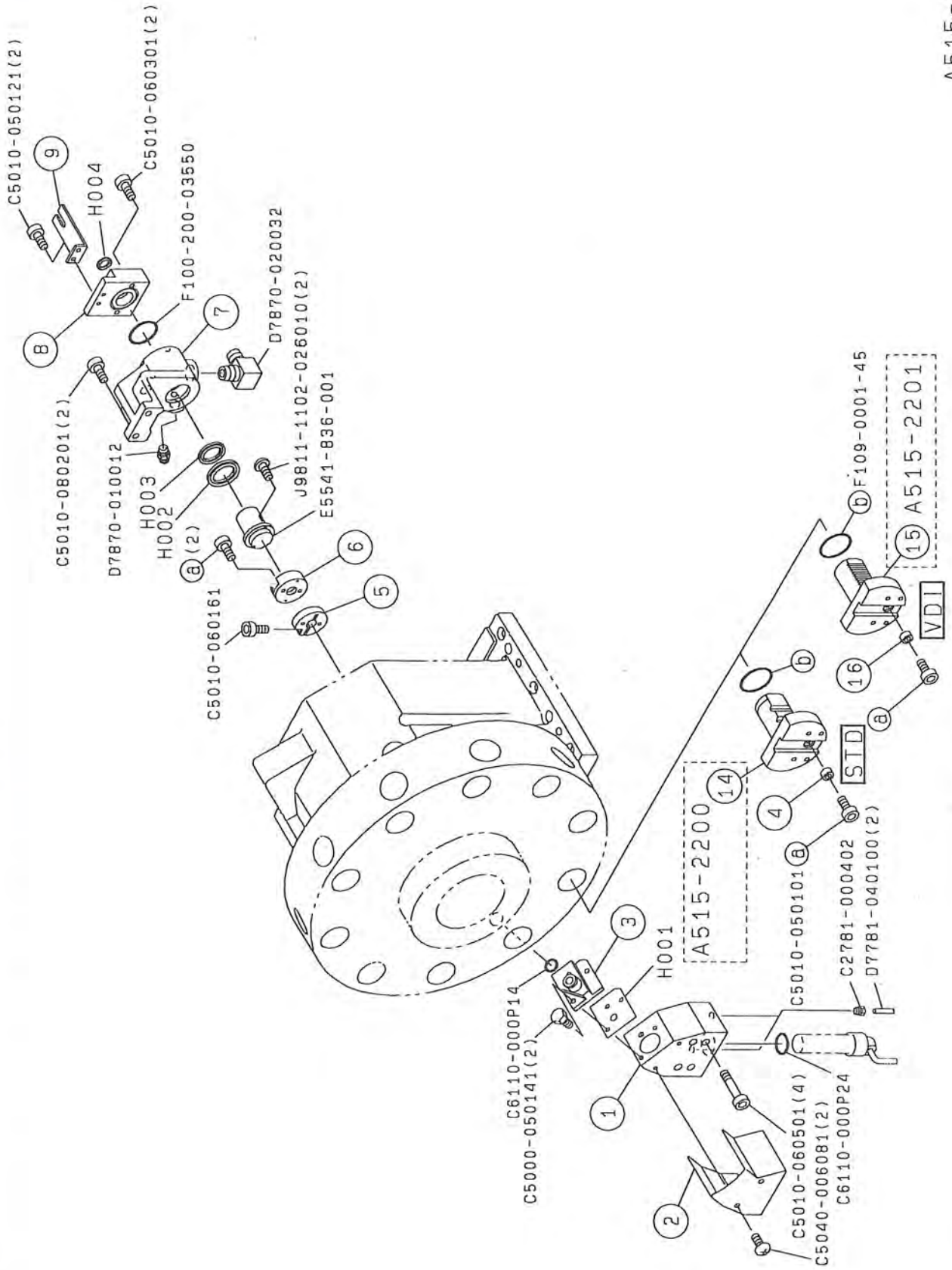
A515-0300

OKUMA Corporation

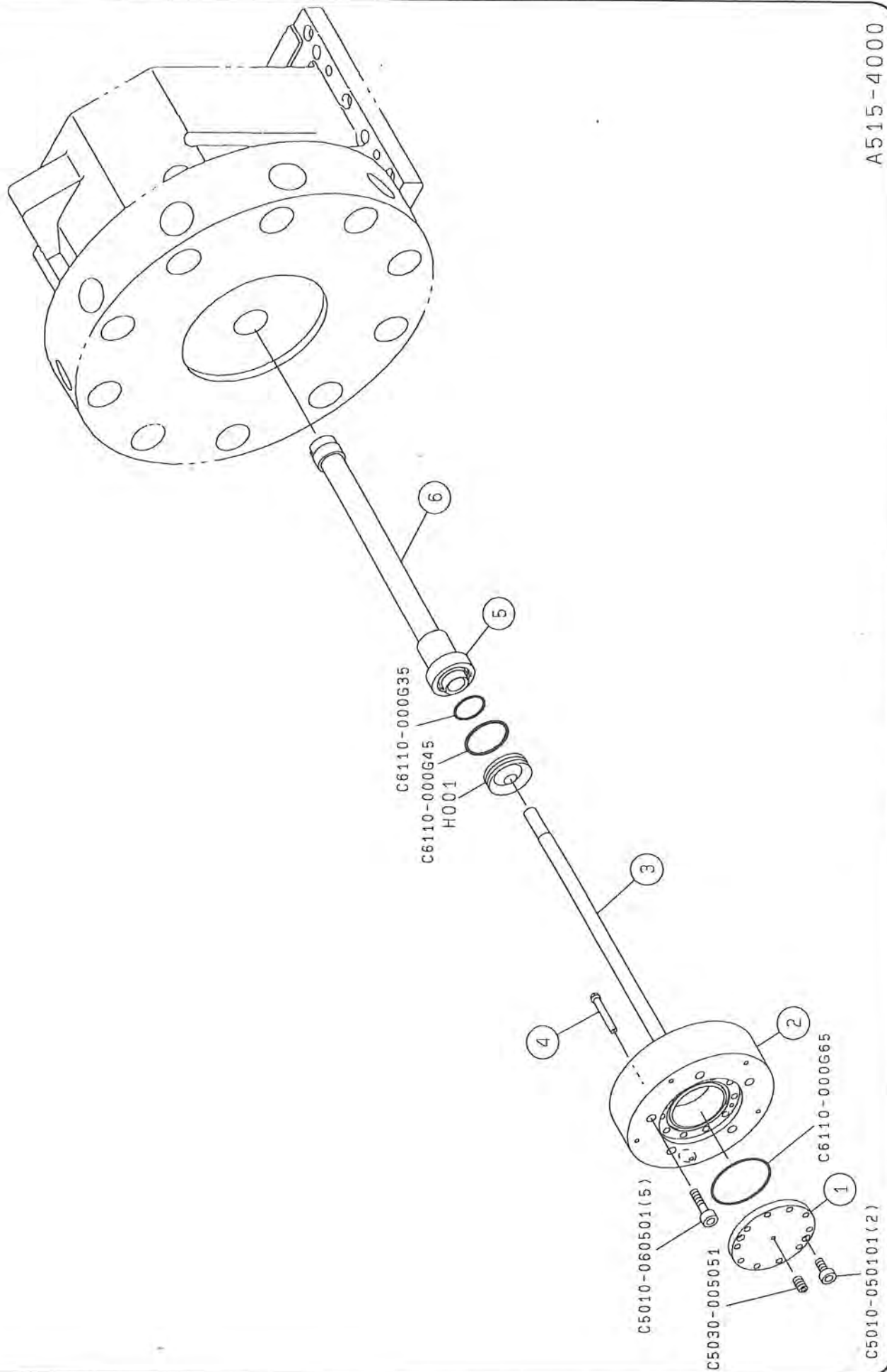
LR1525C/15C075

SHEET NO. 75A GAUGING DEVICE (1)

9205

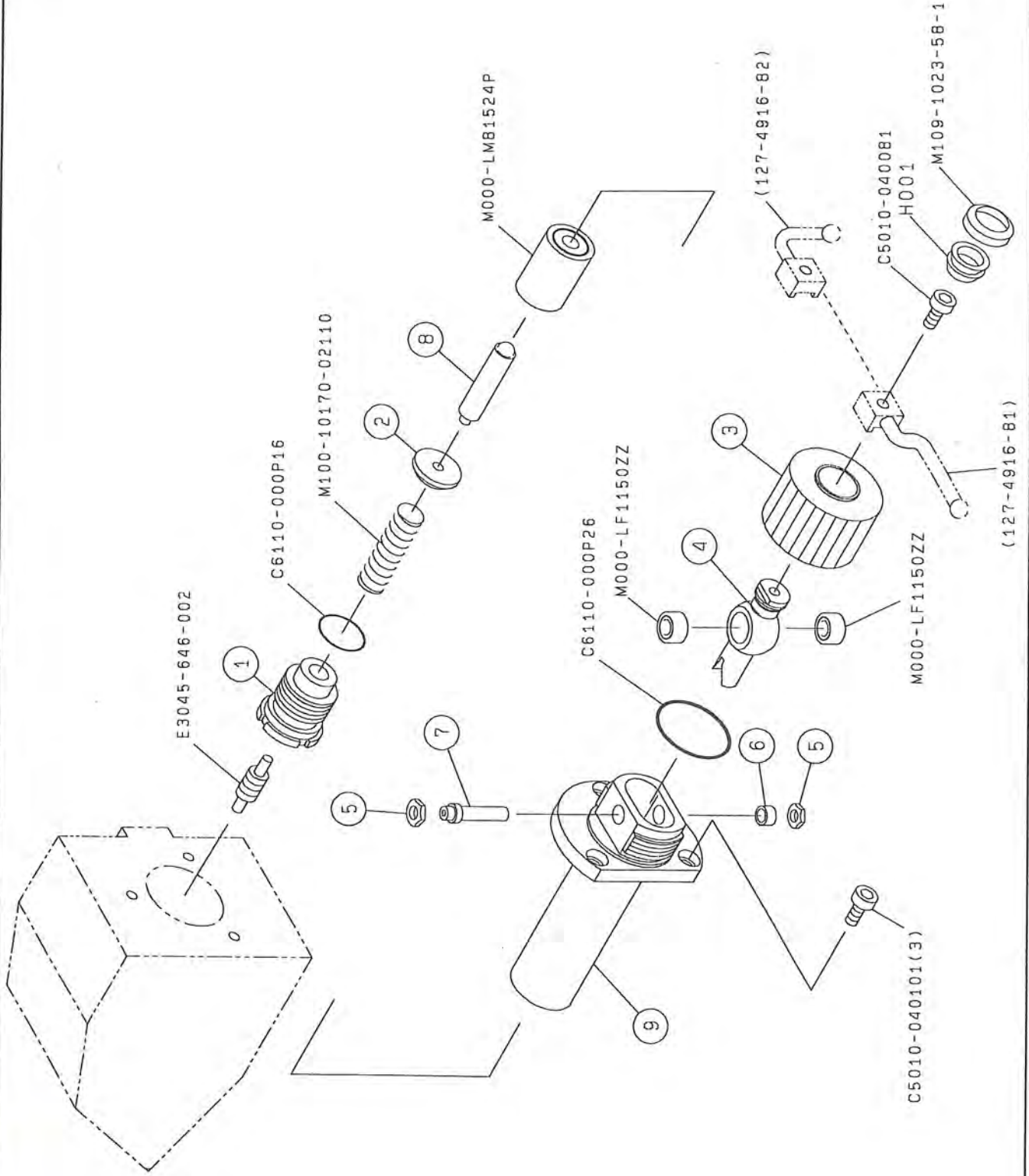


A515-4000



SHEET NO. 75C TOUCH SETTER DEVICE

9205



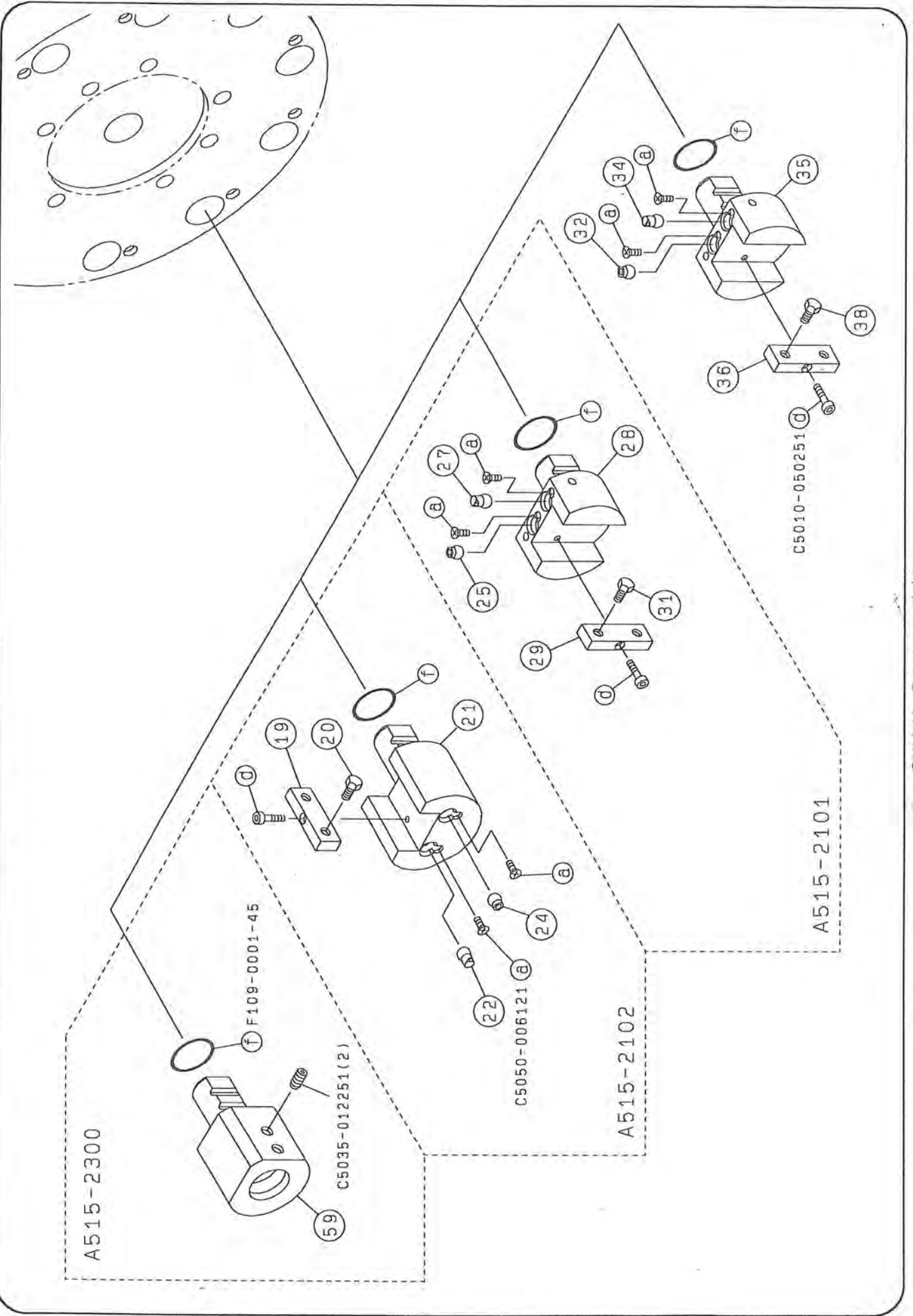
A515-4102

OKUMA Corporation

IP1525C/15075C

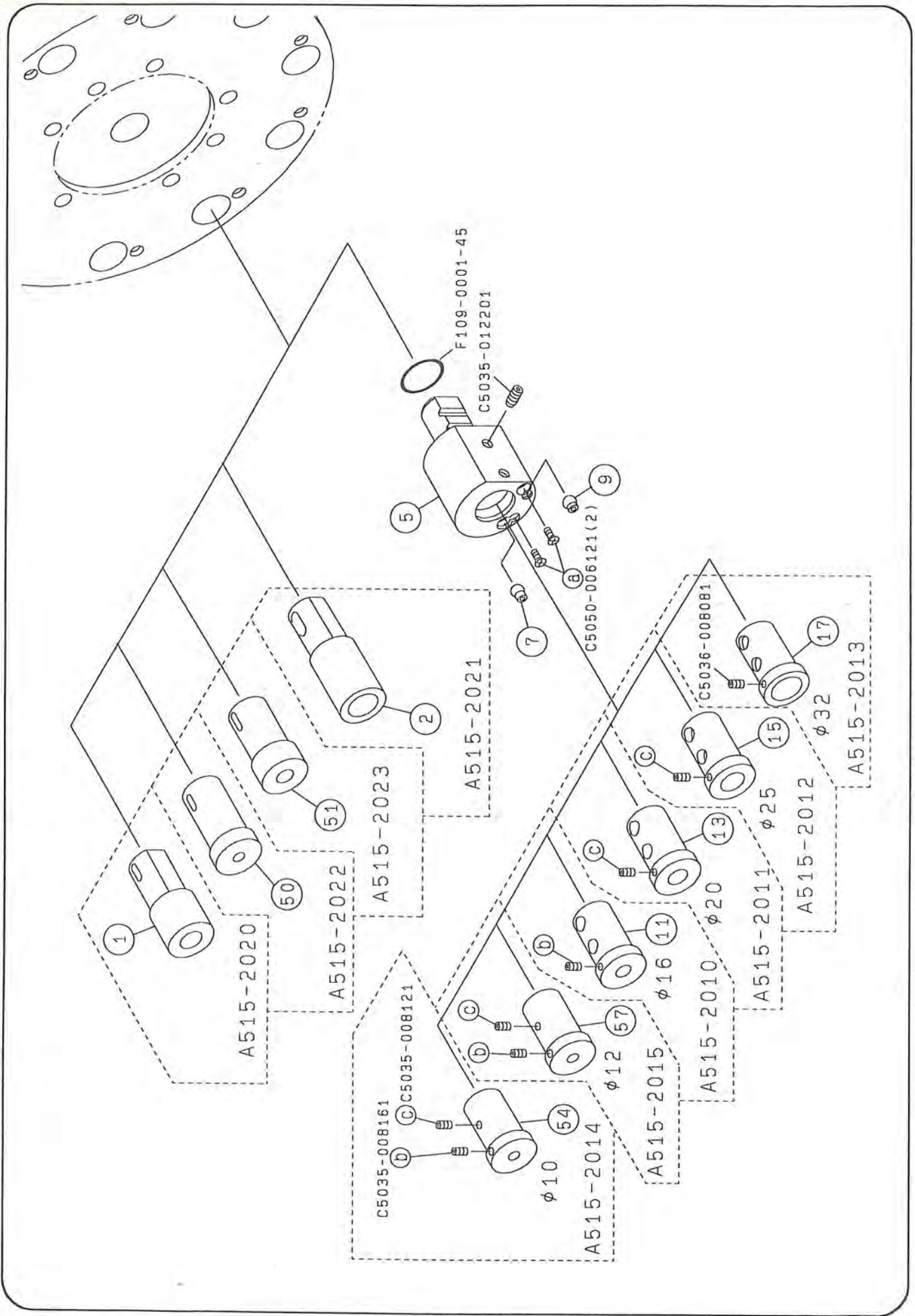
SHEET NO. 76 TOOLING SYSTEM V10 (1)

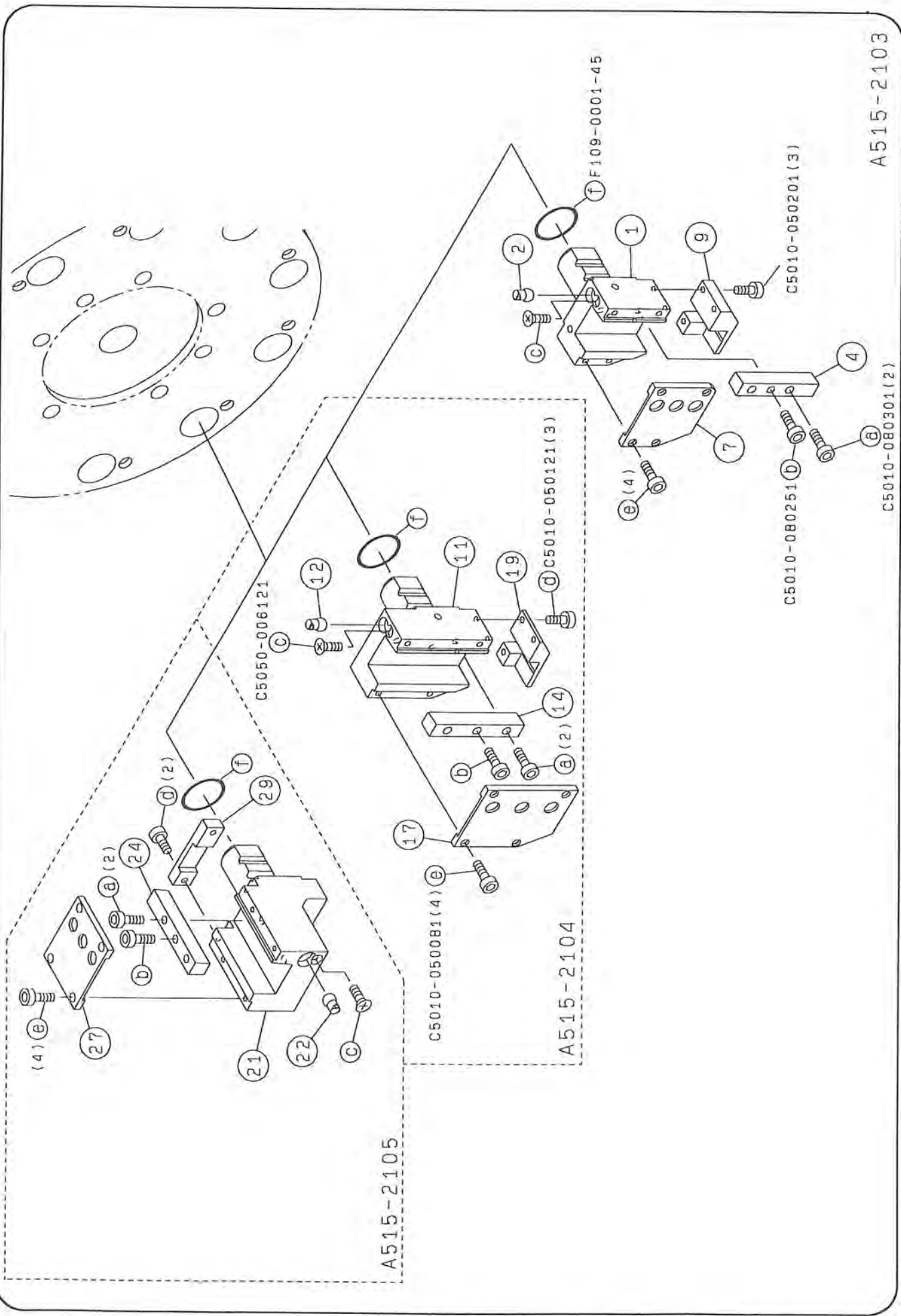
9205



SHEET NO. 76A TOOLING SYSTEM V10 (1)

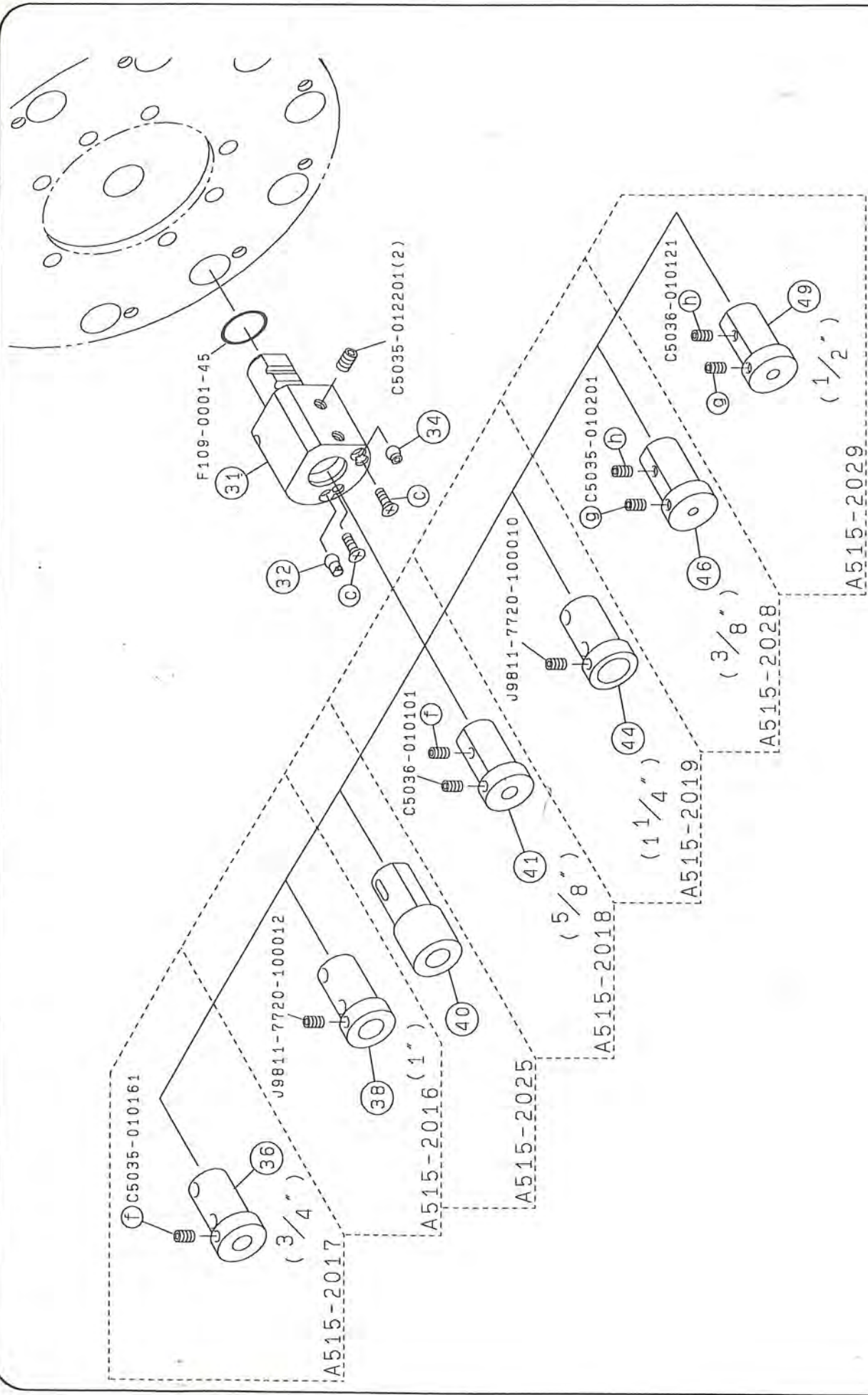
9205





SHEET NO. 77A TOOLING SYSTEM V10 (2)

9205



A515-2001

R1525C.15C077A

OKUMA CORPORATION

SHEET -ITEM	PART NO.	DESCRIPTION	UNIT NO.	QTY	SHEET -ITEM	PART NO.	DESCRIPTION	UNIT NO.	QTY
71 -002	515-0300-12-8	SHAFT	A515-0300	1	72A-H002	H0031-0002-93	RING	A515-0311	1
71 -004	515-0300-06-4	RING	A515-0300	1					
71 -007	515-0300-04-5	CLUTCH	A515-0300	1	73 -001	515-0300-19-1	KEY	A515-0300	1
71 -016	515-0300-13-2	PISTON	A515-0300	1	73 -002	515-0300-08-3	PLATE	A515-0300	1
71 -019	515-0300-01-9	GEAR BOX	A515-0300	1	73 -004	515-0300-10-2	PLATE	A515-0300	1
71 -020	515-0300-14-01	GEAR	A515-0300	1	73 -019	515-0310-36-01	BRACKET	A515-4005	1
71 -021	515-0300-16-2	NUT	A515-0300	1	73 -020	515-0310-37	PLATE	A515-4005	1
71 -024	515-0300-56-2	HOUSING	A515-0300	1	73 -021	515-0310-38	JOINT	A515-4005	1
71 -H001	H0031-0010-55	PACKING	A515-0300	2	73 -022	515-0300-61-01	GEAR	A515-0300	1
71 -H003	H0031-0012-18	CAP SEAL	A515-0300	1	73 -H001	H0001-0004-20-1	MOTOR H-100B22FM- J	A515-0300	1
72 -003	515-0310-18	CAP	A515-4005	1					
72 -007	515-0310-03-1	VALVE	A515-0310	10	74 -006	515-0300-27-4	JOINT	A515-0300	1
72 -011	515-0310-17-1	CAP	A515-0310	1	74 -008	515-0300-42-4	JOINT	A515-0300	1
72 -014	515-0310-45	FLANGE	A515-4005	1	74 -010	515-0300-68	MANIFOLD	A515-0300	1
72 -015	515-0300-18-02	PIPE, steel	A515-4005	1	74 -017	515-0300-23-1	PIN	A515-0301	1
72 -020	515-0350-01	PIN (VDI)	A515-0331	1	74 -019	515-0300-64	MANIFOLD	A515-0300	1
72 -021	127-8352-05	BLOCK (VDI)	A515-0331	1	74 -020	515-0300-87-01	THROTTLE	A515-0300	1
72 -025	515-0310-01-14	TURRET	A515-0310	1	74 -021	515-0300-85-01	THROTTLE	A515-0300	1
72 -026	515-0300-05-8	CLUTCH	A515-0300	1	74 -022	515-0300-96	THROTTLE	A515-0300	1
72 -028	515-1800-09-2	BOLT	A515-0340	1					
72 -H001	H1040-1035-20-2	NAMEPLATE	A515-0310	1	75 -002	515-0220-17-7	COVER	A515-0300	1
72 -H002	H0031-0002-93	RING	A515-0310	1	75 -003	515-0220-16-1	SUPPORT	A515-0300	1
					75 -005	515-0220-14-2	COVER	A515-0300	1
					75 -011	515-0300-02-3	COVER	A515-0300	1
					75 -018	515-0350-65-1	SPACER	A515-0300	1
					75 -020	515-0220-15-2	SUPPORT	A515-0300	1
					75 -021	515-0301-41-1	BUSHING	A515-0301	2
72A-001	515-0310-03-1	THROTTLE	A515-0311	1					
72A-002	515-0311-02-1	CAP	A515-0311	1					
72A-003	118-8001-30-1	CAP	A515-0311	10					
72A-004	127-3300-37	BLOCK	A515-0311	10					
72A-005	119-3100-09-3	NOZZLE	A515-0311	1					
72A-006	515-0311-01-4	TURRET 10M	A515-0311	1	75A-001	515-4000-56-2	BODY	A515-4000	1
72A-H001	H1040-1035-20-2	NAMEPLATE	A515-0311	1	75A-002	515-4000-05-1	COVER	A515-4000	1
					75A-003	515-4000-55	JOINT	A515-4000	1

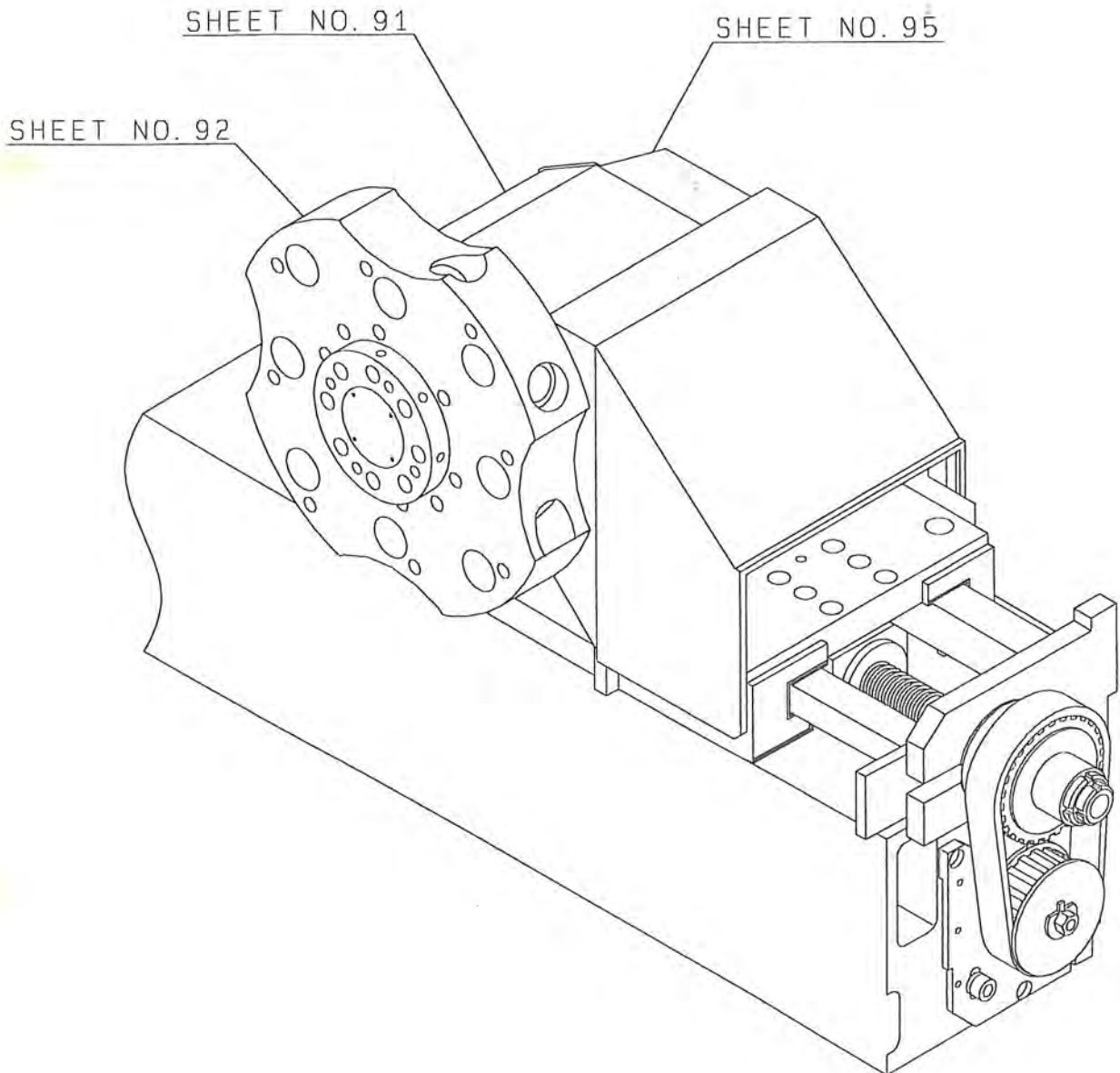
SHEET - ITEM	PART NO.	DESCRIPTION	UNIT NO.	QTY	SHEET - ITEM	PART NO.	DESCRIPTION	UNIT NO.	QTY
75A-004	515-4000-03	BLOCK	A515-4000	1	75C-H001	H1023-1021-72	BOOTS	A515-4102	1
75A-005	515-0330-57-1	RING	A515-4000	1					
75A-006	112-4910-15-1	SUPPORT	A515-4000	1	76-019	127-8300-02-1	SPACER	A515-2102	1
75A-007	515-0310-43	BRACKET	A515-4000	1	76-020	127-3300-26	BOLT	A515-2102	2
75A-008	515-0310-44	PLATE	A515-4000	1	76-021	515-2100-13-10	HOLDER	A515-2102	1
75A-009	515-0300-35-01	SUPPORT	A515-4000	1	76-022	119-3100-09-3	NOZZLE	A515-2102	1
75A-014	515-4000-02-4	HOLDER	A515-2200	1	76-024	118-8001-30-1	CAP	A515-2102	1
75A-015	515-4000-06-3	HOLDER	A515-2201	1	76-025	118-8001-30-1	CAP	A515-2101	1
75A-016	515-4000-03	BLOCK	A515-4000	1	76-027	119-3100-09-3	NOZZLE	A515-2101	1
75A-H001	H1020-1098-71	PACKING	A515-4000	1	76-028	515-2100-12-8	HOLDER	A515-2101	1
75A-H002	H0031-0002-93	X-RING	A515-4000	1	76-029	127-8300-02-1	SPACER	A515-2101	1
75A-H003	H0031-0002-44	X-RING	A515-4000	1	76-031	127-3300-26	BOLT	A515-2101	2
75A-H004	H0031-0015-80	X-RING	A515-4000	1	76-032	118-8001-30-1	CAP	A515-2100	1
					76-034	119-3100-09-3	NOZZLE	A515-2100	1
75B-001	515-4000-54	CAP	A515-4000	1	76-035	515-2100-11-8	HOLDER	A515-2100	1
75B-002	515-4000-52	JOINT	A515-4000	1	76-036	127-8300-02-1	SPACER	A515-2100	1
75B-003	515-0310-42	PIPE	A515-4000	1	76-038	127-3300-26	BOLT	A515-2100	2
75B-004	515-4000-53	SHAFT	A515-4000	1	76-059	515-2000-23-9	HOLDER	A515-2030	1
75B-005	515-4001-58	FLANGE	A515-4000	10					
75B-006	515-0310-41	PIPE	A515-4000	1	76A-001	515-2010-02-4	SLEEVE	A515-2020	1
75B-H001	H0031-0002-44	X-RING	A515-4000	1	76A-002	515-2010-03-3	HOLDER	A515-2021	1
					76A-005	515-2000-01-7	HOLDER	A515-2000	1
75C-001	112-4910-41-3	CAP	A515-4102	1	76A-007	119-3100-08-2	NOZZLE	A515-2000	1
75C-002	127-4916-30	COLLAR	A515-4102	1	76A-009	118-8001-30-1	CAP	A515-2000	1
75C-003	127-4916-58-1	CAP	A515-4102	1	76A-011	515-2000-04-1	SLEEVE	A515-2010	1
75C-004	127-4916-60-3	STAIRUS	A515-4102	1	76A-013	515-2000-05-1	SLEEVE	A515-2011	1
75C-005	127-4916-61-1	NUT	A515-4102	2	76A-015	515-2000-06-1	SLEEVE	A515-2012	1
75C-006	127-4916-62-1	COLLAR	A515-4102	1	76A-017	515-2000-07-1	SLEEVE	A515-2013	1
75C-007	127-4916-64-3	SHAFT	A515-4102	1	76A-050	515-2010-04-3	SLEEVE	A515-2022	1
75C-008	127-4916-75	SHAFT	A515-4102	1	76A-051	515-2010-01-3	SLEEVE	A515-2023	1
75C-009	127-4916-76-2	SLEEVE	A515-4102	1	76A-054	515-2000-21-2	SLEEVE	A515-2014	1

SHEET -ITEM	PART NO.	DESCRIPTION	UNIT NO.	QTY	SHEET -ITEM	PART NO.	DESCRIPTION	UNIT NO.	QTY
76A-057	515-2000-10-2	SLEEVE	A515-2015	1					
77-001	515-2110-07-4	HOLDER TYPE-A	A515-2103	1					
77-002	119-3100-09-3	NOZZLE	A515-2103	1					
77-004	515-2100-01-2	SPACER	A515-2103	1					
77-007	515-2100-02-1	PLATE	A515-2103	1					
77-009	515-2110-04	STOPPER	A515-2103	1					
77-011	515-2110-08-3	HOLDER TYPE-B	A515-2104	1					
77-012	119-3100-09-3	NOZZLE	A515-2104	1					
77-014	515-2100-04-2	SPACER	A515-2104	1					
77-017	515-2100-05-1	PLATE	A515-2104	1					
77-019	515-2110-06	STOPPER	A515-2104	1					
77-021	515-2110-09-3	HOLDER TYPE-C	A515-2105	1					
77-022	119-3100-09-3	NOZZLE	A515-2105	1					
77-024	515-2100-01-2	SPACER	A515-2105	1					
77-027	515-2100-07	PLATE	A515-2105	1					
77-029	515-2110-05	STOPPER	A515-2105	1					
77A-031	515-2000-24-3	HOLDER ID	A515-2001	1					
77A-032	119-3100-09-3	NOZZLE	A515-2001	1					
77A-034	118-8001-30-1	CAP	A515-2001	1					
77A-036	515-2000-14-2	SLEEVE 3/4	A515-2017	1					
77A-038	515-2000-15-1	SLEEVE 1	A515-2016	1					
77A-040	515-2000-17-2	SLEEVE MT No. 3	A515-2025	1					
77A-041	515-2000-13-1	SLEEVE 5/8	A515-2018	1					
77A-044	515-2000-16-1	SLEEVE 1 1/4	A515-2019	1					
77A-046	515-2000-11-2	SLEEVE 3/8	A515-2028	1					
77A-049	515-2000-12-2	SLEEVE 1/2	A515-2029	1					

PURCHASE PARTS LIST

PARTS NO.	DESCRIPTION	PARTS NO.	DESCRIPTION
E3020-397-101 E3045-646-002 E3050-396-015	SENSOR OMRON TL-T2E1 SWITCH MY-COM ENCODER		
F000-445-000-45 F001-400-001-24 F001-431-000-06 F100-150-00650 F100-150-00750 F100-200-03550 F109-0001-45	SOL. D NACHI S-G01-C6S-GRZ-D29390 SOL. S NACHI SC-T01-AR-D2-8766A SOL. S NACHI S-G01-A3X-GRZ-D2-30V O-RING, NOK S7 O-RING, NOK S8 O-RING, NOK S36 O-RING		
M000-LF1150ZZ M000-LM81524P M009-0017-96 M100-10170-02110 M101-08092-06025 M109-1023-58-1	BEARING NMB LF1150ZZ BEARING IKO LM81524P ROLLER BEARING SPRING 1.0X17X21X10 SPRING 0.8X9.2X60X25 COVER SUS27		





(7) LOWER INDEX GROUP (2SC 600)

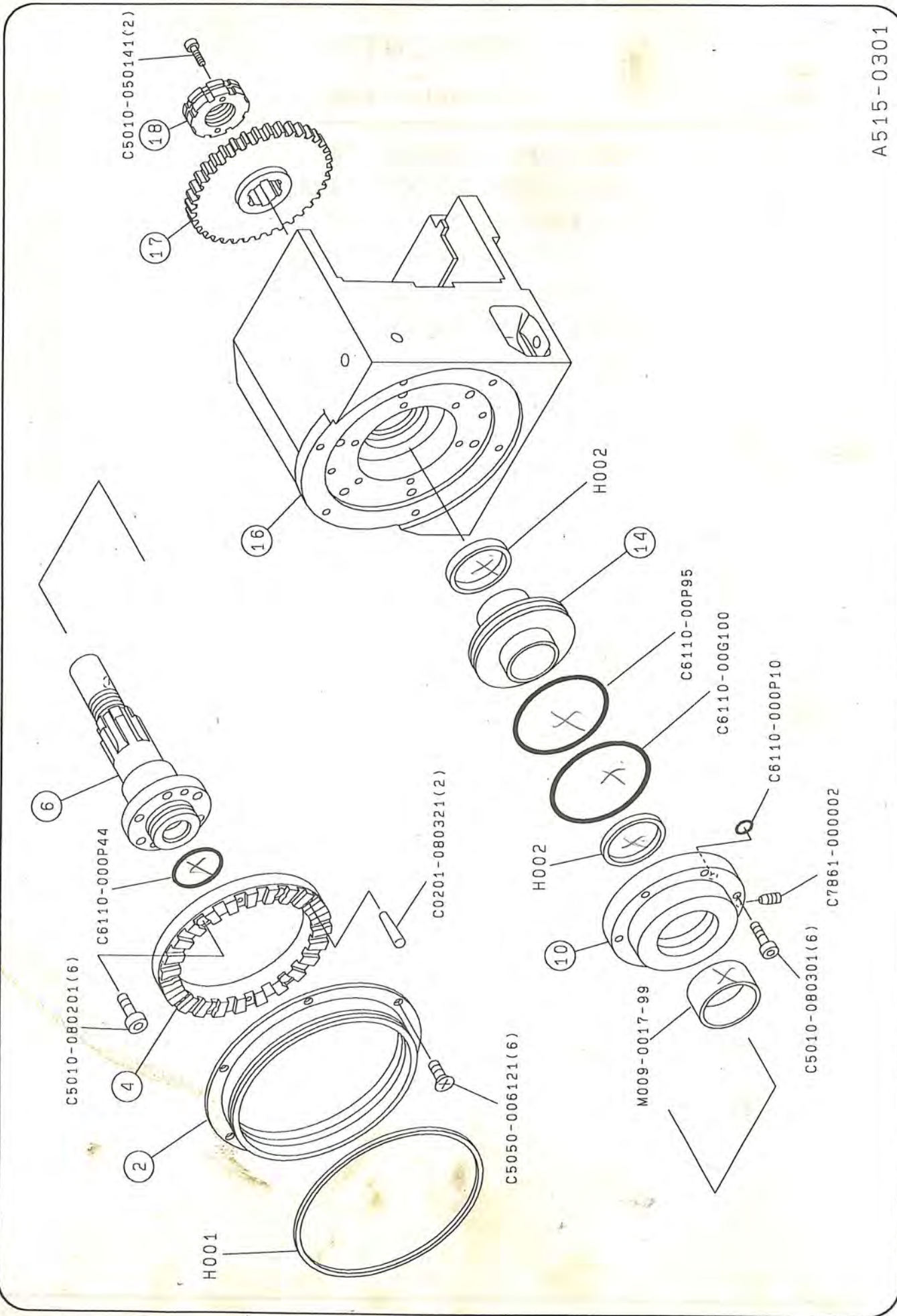
~ CONTENTS ~

SHEET NO.	ASSEMBLY NAME	PAGE
91	INDEX DRIVE DEVICE V8 (1)	232
92	INDEX DRIVE DEVICE V8 (2)	233
92A	INDEX DRIVE DEVICE V8 (2)	234
93	INDEX DRIVE DEVICE V8 (3)	235
94	CONTROL VALVE V8	236
95	INDEX INSTALLATION V8	237
96	TOOLING SYSTEM V8 (1)	238
97	TOOLING SYSTEM V8 (2)	239
I	INDEX NO. LIST	240
P/P	PURCHASE PARTS LIST	241

7

SHEET NO. 91 INDEX DRIVE DEVICE V8 (1)

9205



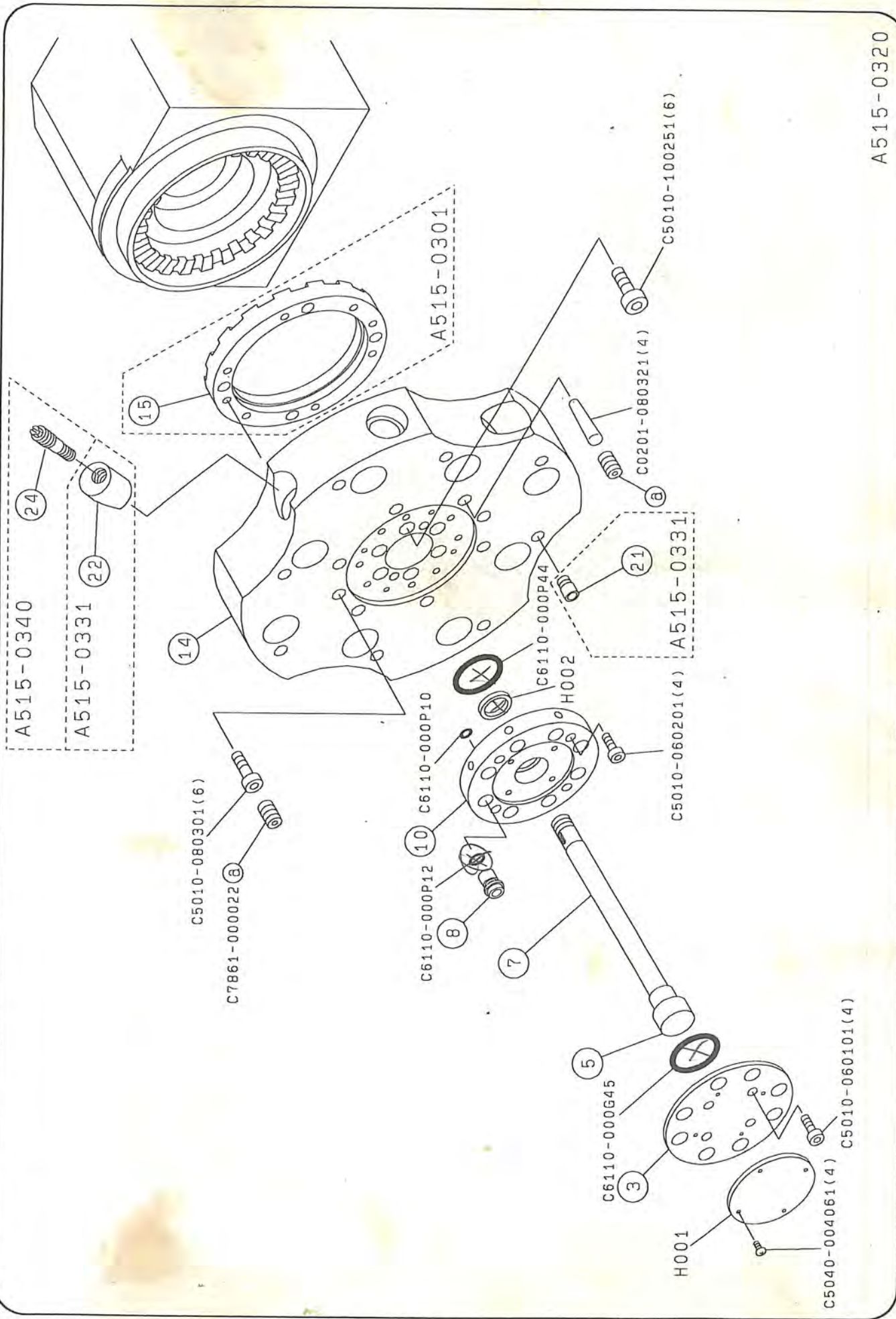
A515-0301

OKUMA Corporation

LR1525C/15C091

SHEET NO. 92 INDEX DRIVE DEVICE V8 (2)

9205



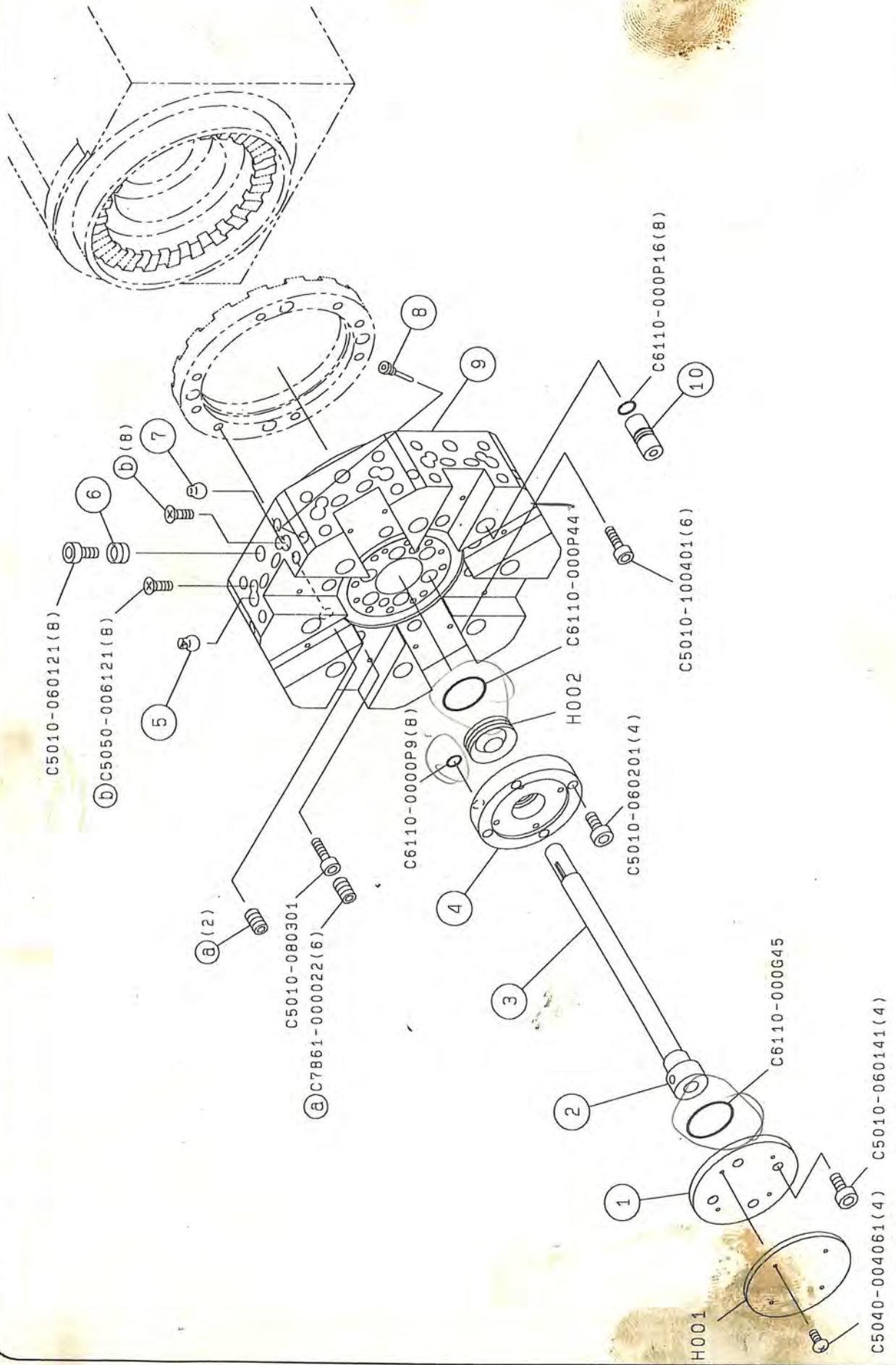
OKUMA Corporation

A515-0320

LR1525C/15C092

SHEET NO. 92A INDEX DRIVE DEVICE V8 (2)

9205



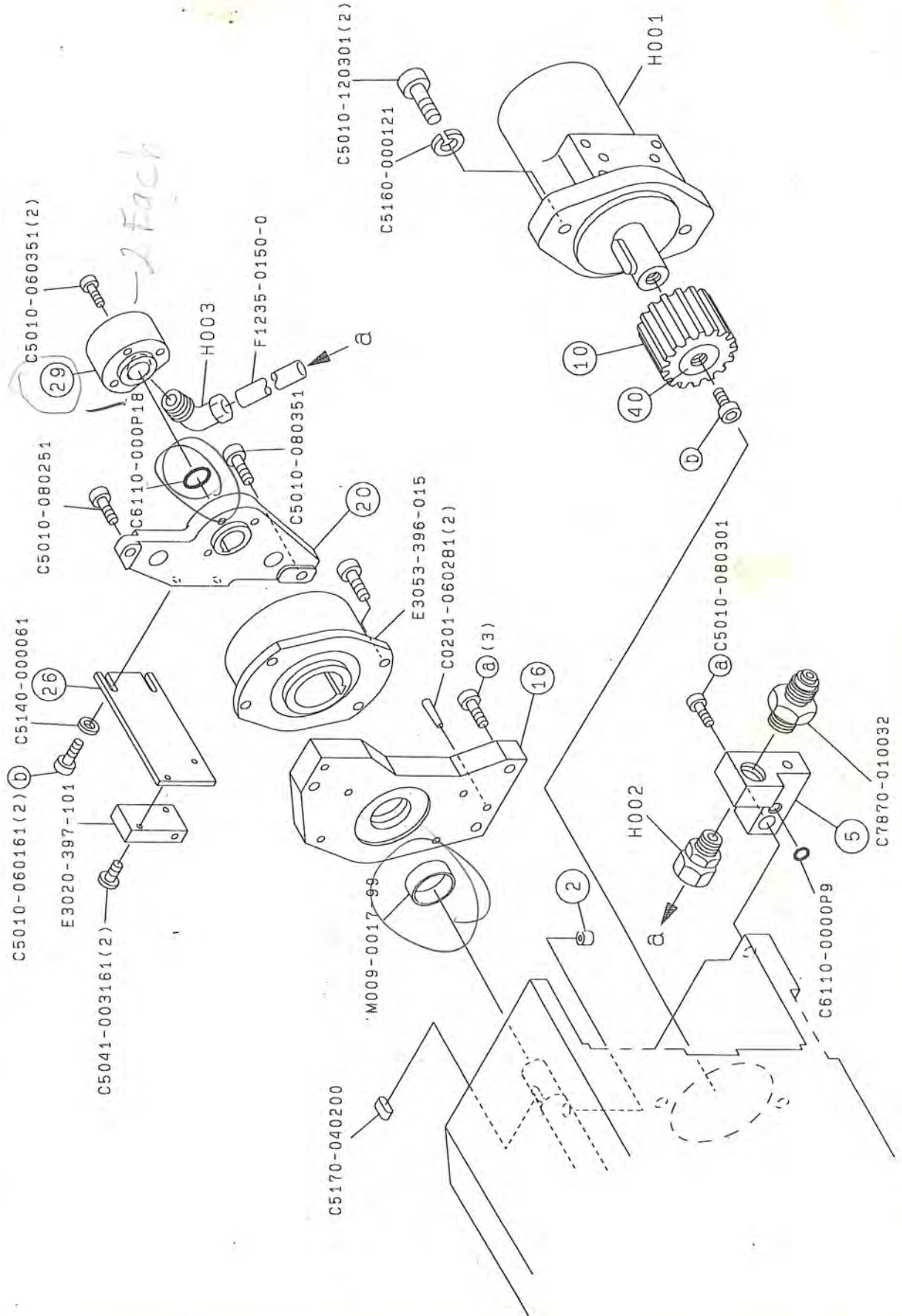
A515-0321

OKUMA Corporation

LR1525C/15C092A

SHEET NO. 93 INDEX DRIVE DEVICE V8 (3)

9205



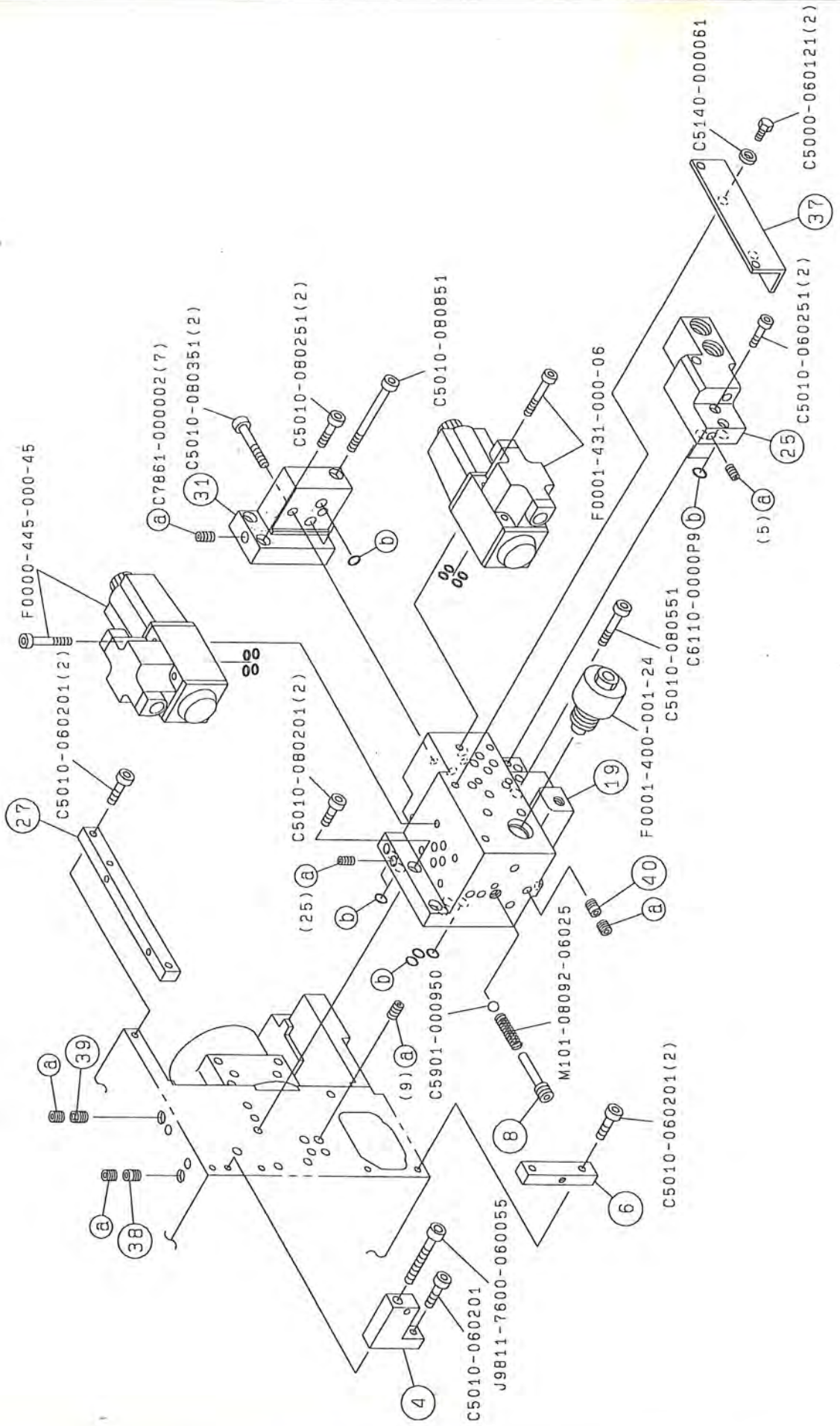
A515-0301

OKUMA Corporation

LR1525C/15C093

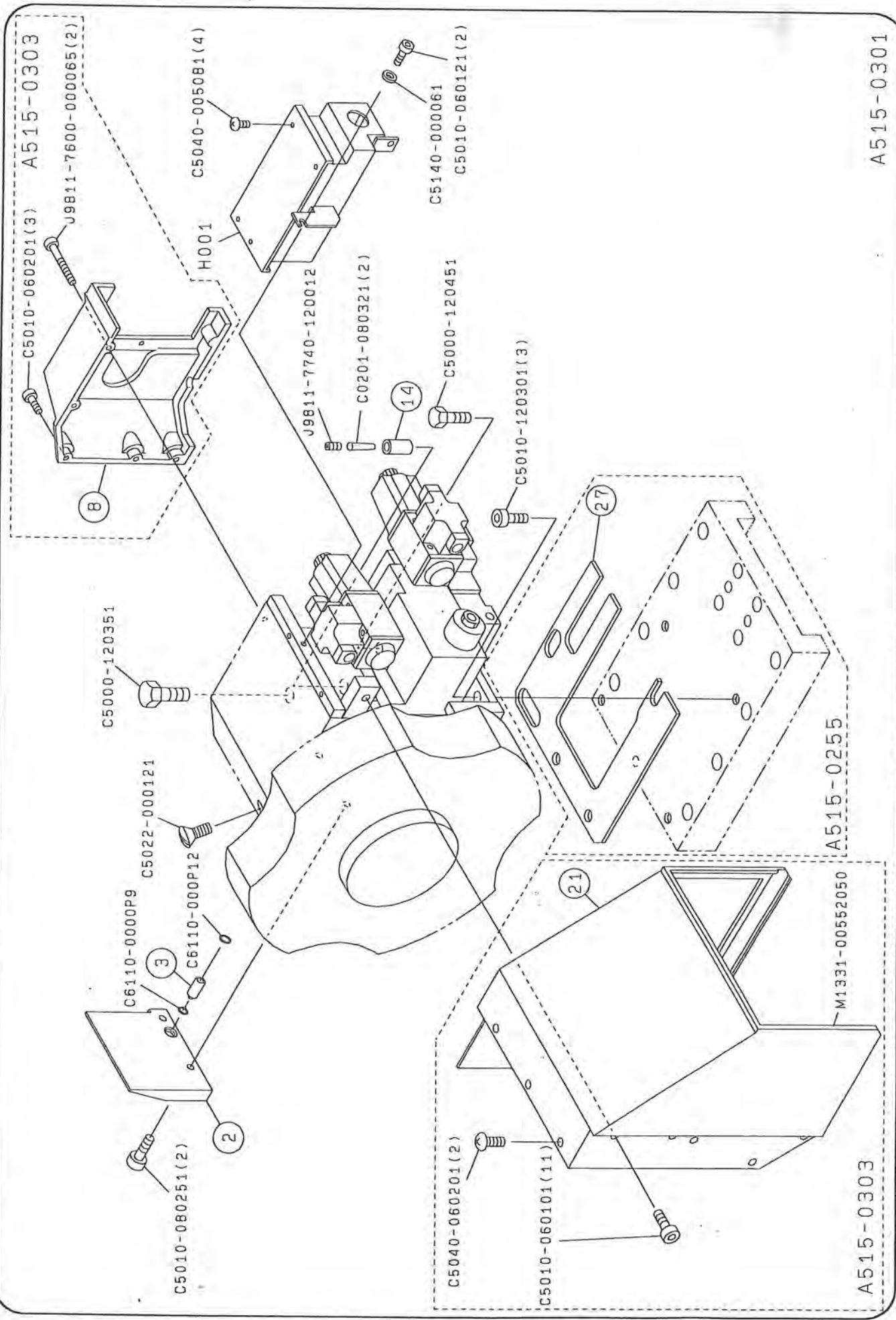
SHEET NO. 94 CONTROL VALVE V8

9205



SHEET NO. 95 INDEX INSTALLATION V8

9205



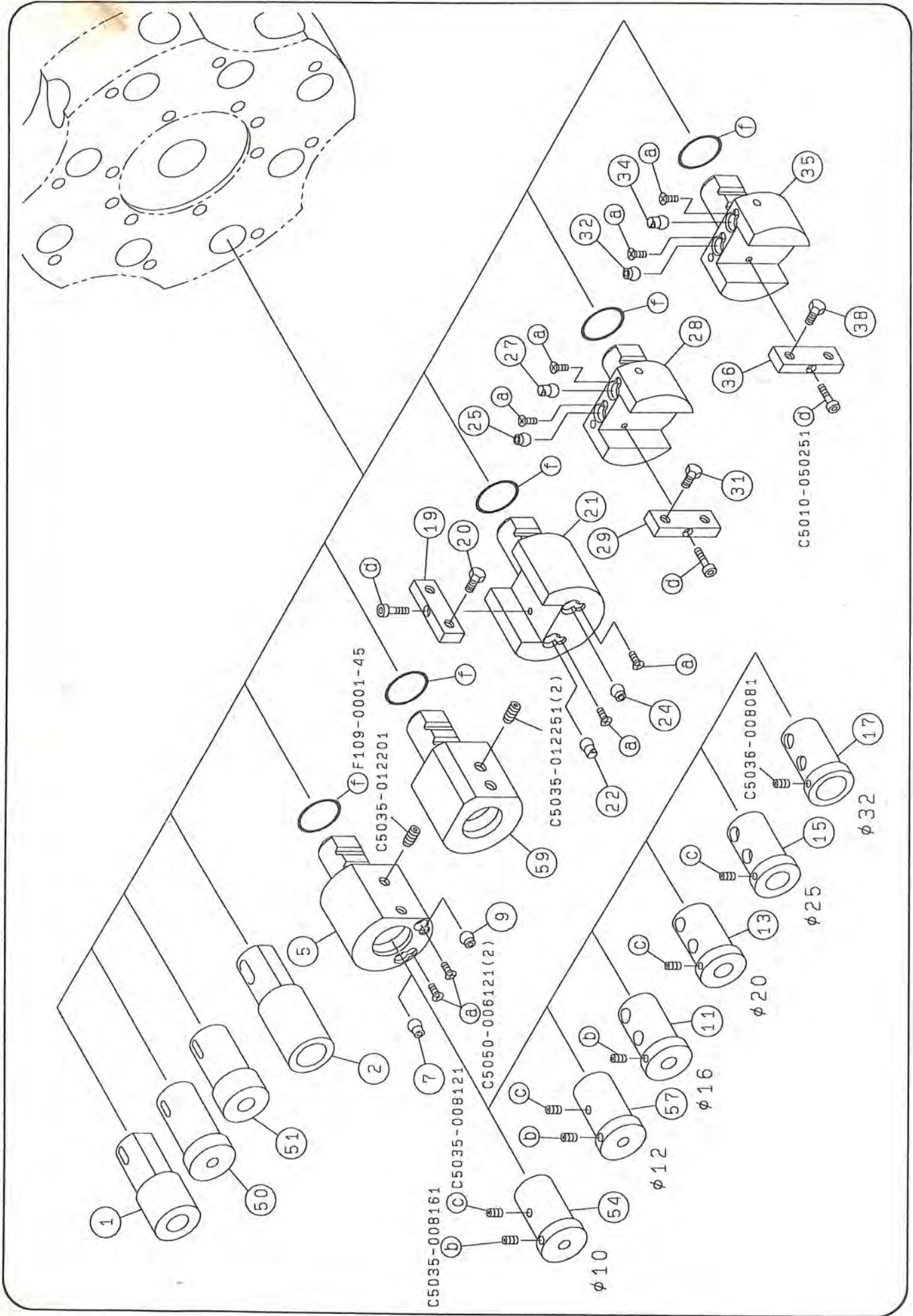
A515-0301

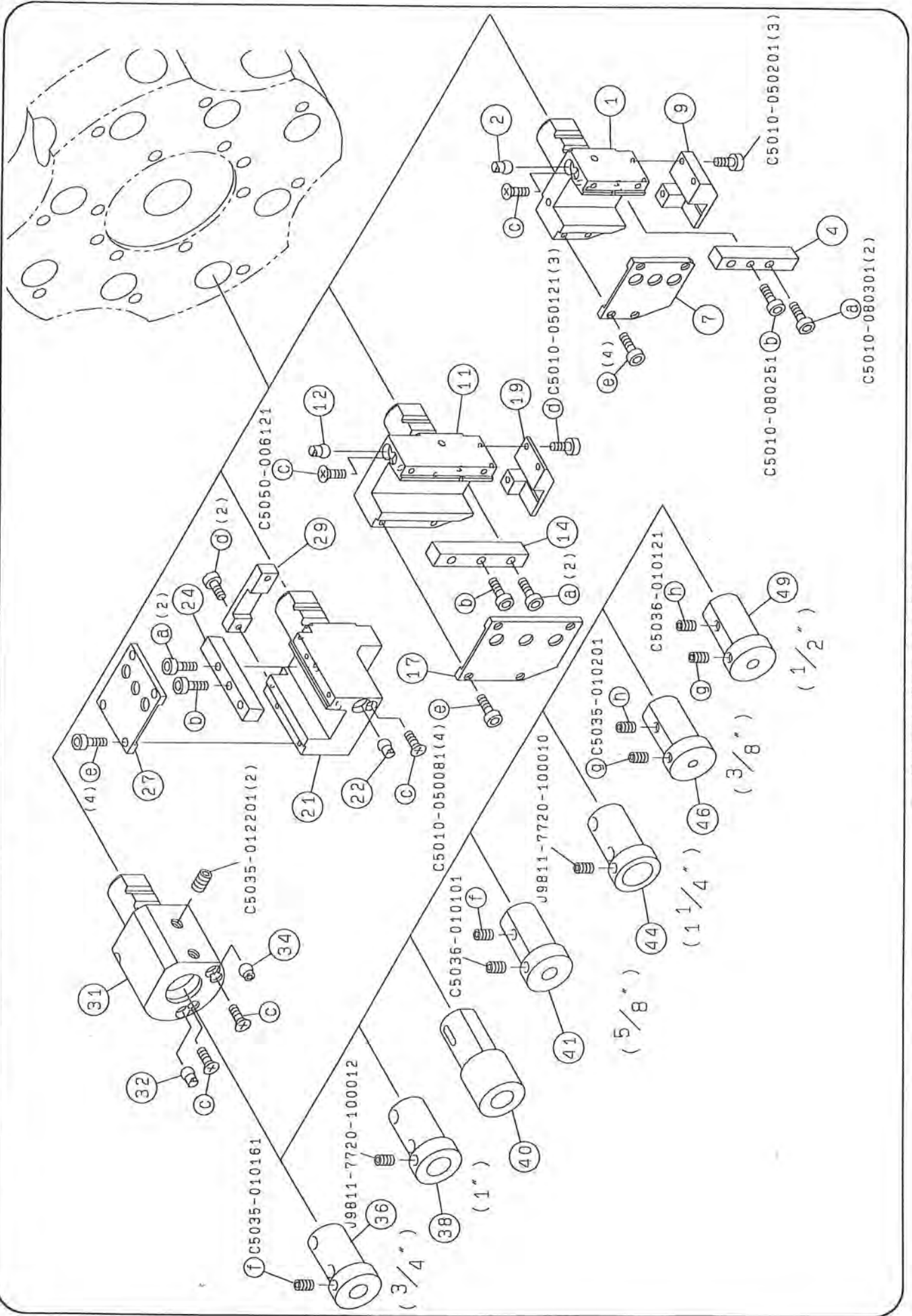
OKUMA Corporation

LR1525C/15C095

SHEET NO. 96 TOOLING SYSTEM VB (1)

9205





SHEET - ITEM	PART NO.	DESCRIPTION	UNIT NO.	QTY	SHEET - ITEM	PART NO.	DESCRIPTION	UNIT NO.	QTY
91 -002	515-0301-04-3	RING	A515-0301	1	92A-006	127-3300-37	BLOCK	A515-0321	8
91 -004	515-0301-03-5	CLUTCH	A515-0301	1	92A-007	119-3100-09-3	NOZZLE	A515-0321	8
91 -006	515-0301-07-6	SHAFT	A515-0301	1	92A-008	515-0322-05	SCREW	A515-0321	8
91 -010	515-0301-05-2	FLANGE	A515-0301	1	92A-009	515-0322-01-3	TURRET (V8)	A515-0321	1
91 -014	515-0301-08-4	PISTON	A515-0301	1	92A-010	515-0322-04	THROTTLE	A515-0321	1
91 -016	515-0301-69-02	GEAR BOX	A515-0301	1	92A-H001	H1040-1046-08	NAMEPLATE	A515-0321	1
91 -017	515-0301-16-01	GEAR	A515-0301	1	92A-H002	H0031-0004-96	X-RING	A515-0321	1
91 -018	515-0301-09-01	NUT	A515-0301	1					
91 -H001	H0031-0012-19	CAP SEAL DAINICHI	A515-0301	1	93 -002	515-0301-10-1	KEY	A515-0301	1
91 -H002	H0031-0007-59	PACKING	A515-0301	2	93 -005	515-0301-61-2	BLOCK	A515-0301	1
					93 -010	515-0300-61-1	GEAR	A515-0301	1
					93 -016	515-0301-20-4	PLATE	A515-0301	1
92 -003	515-0301-39-1	CAP	A515-0303	1	93 -020	515-0301-60	SUPPORT	A515-0303	1
92 -005	515-0301-74	FLANGE	A515-0303	1	93 -026	515-0308-12-1	SUPPORT	A515-0301	1
92 -007	515-0301-62	PIPE	A515-0303	1	93 -029	515-0301-63	JOINT	A515-0303	1
92 -008	515-0301-37-2	VALVE	A515-0320	8	93 -040	515-0300-62	COLLAR	A515-0301	1
92 -010	515-0301-38-3	FLANGE	A515-0320	1	93 -H001	H0001-0004-19	MOTOR H-070B22FM- G	A515-0301	1
92 -010	515-0301-38-3	FLANGE	A515-0303	1	93 -H002	H0010-0000-46	CONNECTOR NITTA C INI/2-PT3/8	A515-0301	1
92 -010	515-0500-03-2	FLANGE	A515-0500	1	93 -H003	H0010-0000-33	CONNECTOR NITTA C INI/2-PT3/8	A515-0303	1
92 -014	515-0320-01-10	TURRET	A515-0320	1					
92 -015	515-0301-02-6	CLUTCH	A515-0301	1					
92 -021	515-0350-01	PIN (VDI)	A515-0331	1	94 -004	515-0301-27-3	SUPPORT	A515-0301	1
92 -022	127-8352-05	BLOCK (VDI)	A515-0331	1	94 -006	515-0301-28-2	SUPPORT	A515-0301	1
92 -024	515-1800-09-2	BOLT	A515-0340	1	94 -008	515-0300-23-1	PIN	A515-0301	1
92 -H001	H1040-1046-08	NAMEPLATE M30XM90 X0.8	A515-0320	1	94 -019	515-0301-68-01	MANIFOLD	A515-0301	1
92 -H002	H0031-0004-96	X-RING R-25	A515-0320	1	94 -025	515-0301-50	JOINT	A515-0301	1
					94 -027	515-0301-25-3	SUPPORT	A515-0301	1
92A-001	515-0322-03	CAP	A515-0321	1	94 -031	515-0301-34-3	JOINT	A515-0301	1
92A-002	515-0322-06	FLANGE	A515-0321	1	94 -037	515-0211-17-3	SUPPORT	A515-0301	1
92A-003	515-0322-07	PIPE	A515-0321	1	94 -038	515-0300-81-01	THROTTLE	A515-0301	1
92A-004	515-0322-02	FLANGE	A515-0321	1	94 -039	515-0300-87-01	THROTTLE	A515-0301	1
92A-005	118-8001-30-1	CAP	A515-0321	8	94 -040	515-0300-88-01	THROTTLE	A515-0301	1

I N D E X N O . L I S T

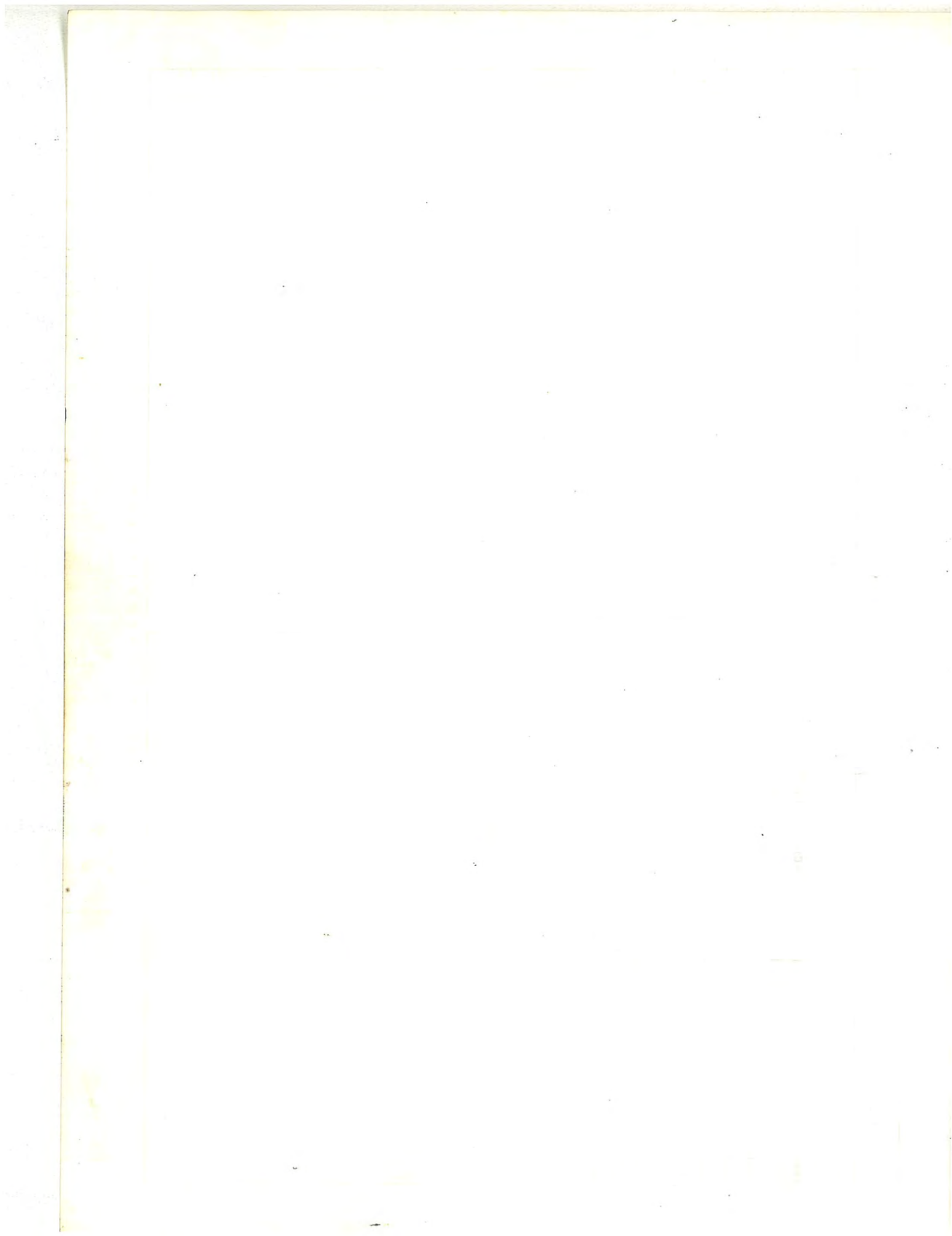
SHEET - ITEM	PART NO.	DESCRIPTION	UNIT NO.	QTY	SHEET - ITEM	PART NO.	DESCRIPTION	UNIT NO.	QTY
95 - 002	515-0301-47-1	COVER	A515-0301	1	96 - 034	119-3100-09-3	NOZZLE	A515-2100	1
95 - 003	515-0301-48	VALVE	A515-0301	1	96 - 035	515-2100-11-8	HOLDER	A515-2100	1
95 - 008	515-0301-54	CAP	A515-0303	1	96 - 036	127-8300-02-1	SPACER	A515-2100	1
95 - 008	515-0500-12-02	CAP	A515-0500	1	96 - 038	127-3300-26	BOLT	A515-2100	2
95 - 014	515-0301-41-1	BUSHING	A515-0301	2	96 - 050	515-2010-04-3	SLEEVE	A515-2022	1
95 - 021	515-0251-09-3	COVER	A515-0303	1	96 - 051	515-2010-01-3	SLEEVE	A515-2023	1
95 - 021	515-0251-14-01	COVER	A515-0500	1	96 - 054	515-2000-21-2	SLEEVE	A515-2014	1
95 - 027	515-0301-29-3	SPACER	A515-0255	1	96 - 057	515-2000-10-2	SLEEVE	A515-2015	1
95 - H001	H9007-1700-02-3	TERMINAL BOX	A515-0301	1	96 - 059	515-2000-23-9	HOLDER	A515-2030	1
96 - 001	515-2010-02-4	SLEEVE	A515-2020	1	97 - 001	515-2110-07-4	HOLDER TYPE-A	A515-2103	1
96 - 002	515-2010-03-3	HOLDER	A515-2021	1	97 - 002	119-3100-09-3	NOZZLE	A515-2103	1
96 - 005	515-2000-01-7	HOLDER	A515-2000	1	97 - 004	515-2100-01-2	SPACER	A515-2103	1
96 - 007	119-3100-08-2	NOZZLE	A515-2000	1	97 - 007	515-2100-02-1	PLATE	A515-2103	1
96 - 009	118-8001-30-1	CAP	A515-2000	1	97 - 009	515-2110-04	STOPPER	A515-2103	1
96 - 011	515-2000-04-1	SLEEVE	A515-2010	1	97 - 011	515-2110-08-3	HOLDER TYPE-B	A515-2104	1
96 - 013	515-2000-05-1	SLEEVE	A515-2011	1	97 - 012	119-3100-09-3	NOZZLE	A515-2104	1
96 - 015	515-2000-06-1	SLEEVE	A515-2012	1	97 - 014	515-2100-04-2	SPACER	A515-2104	1
96 - 017	515-2000-07-1	SLEEVE	A515-2013	1	97 - 017	515-2100-05-1	PLATE	A515-2104	1
96 - 019	127-8300-02-1	SPACER	A515-2102	1	97 - 019	515-2110-06	STOPPER	A515-2104	1
96 - 020	127-3300-26	BOLT	A515-2102	2	97 - 021	515-2110-09-3	HOLDER TYPE-C	A515-2105	1
96 - 021	515-2100-13-10	HOLDER	A515-2102	1	97 - 022	119-3100-09-3	NOZZLE	A515-2105	1
96 - 022	119-3100-09-3	NOZZLE	A515-2102	1	97 - 024	515-2100-01-2	SPACER	A515-2105	1
96 - 024	118-8001-30-1	CAP	A515-2102	1	97 - 027	515-2100-07	PLATE	A515-2105	1
96 - 025	118-8001-30-1	CAP	A515-2102	1	97 - 029	515-2110-05	STOPPER	A515-2105	1
96 - 027	119-3100-09-3	NOZZLE	A515-2101	1	97 - 031	515-2000-24-3	HOLDER ID	A515-2001	1
96 - 028	515-2100-12-8	HOLDER	A515-2101	1	97 - 032	119-3100-09-3	NOZZLE	A515-2001	1
96 - 029	127-8300-02-1	SPACER	A515-2101	1	97 - 034	118-8001-30-1	CAP	A515-2001	1
96 - 031	127-3300-26	BOLT	A515-2101	2	97 - 036	515-2000-14-2	SLEEVE 3/4	A515-2017	1
96 - 032	118-8001-30-1	CAP	A515-2100	1	97 - 038	515-2000-15-1	SLEEVE 1	A515-2016	1
					97 - 040	515-2000-17-2	SLEEVE MT No.3	A515-2025	1

I N D E X N O . L I S T

SHEET -ITEM	PART NO.	DESCRIPTION	UNIT NO.	QTY	SHEET -ITEM	PART NO.	DESCRIPTION	UNIT NO.	QTY
97 -041	515-2000-13-1	SLEEVE 5/8	A515-2018	1					
97 -044	515-2000-16-1	SLEEVE 1 1/4	A515-2019	1					
97 -046	515-2000-11-2	SLEEVE 3/8	A515-2028	1					
97 -049	515-2000-12-2	SLEEVE 1/2	A515-2029	1					

PURCHASE PARTS LIST

PARTS NO.	DESCRIPTION	PARTS NO.	DESCRIPTION
E3020-397-101	SENSOR OMRON TL-T2E1		
F0000-445-000-04	SOL. NACHI S-G01-C6-GRZ-D2-30		
F0000-445-000-45	SOL. D NACHI S-G01-C6S-GRZ-D29390A		
F0001-400-001-24	SOL. S NACHI SC-T01-AR-D2-8766A		
F0001-431-000-06	SOL. S NACHI S-G01-A3X-GRZ-D2-30V		
F109-0001-45	O-RING		
F1235-0150-0	TUBE NITTA N2-1-1/2 LI50		
M009-0017-99	ROLLER BEARING NTN		
M101-08092-06025	SPRING 0.8X9.2X60X25		
M1331-00552050	SHEET 5X520X5.0		



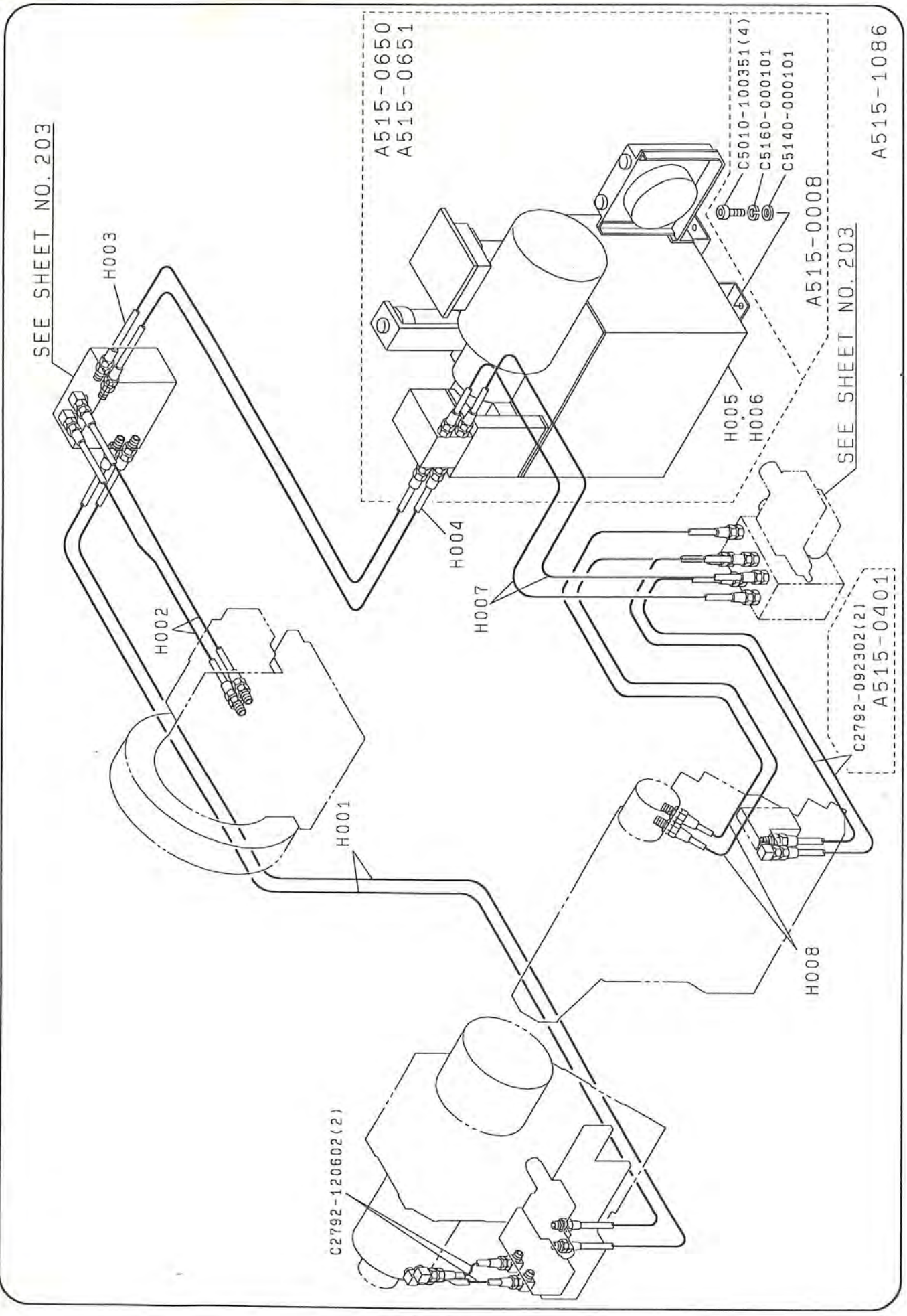
(8) PIPING GROUP (1SC 800)

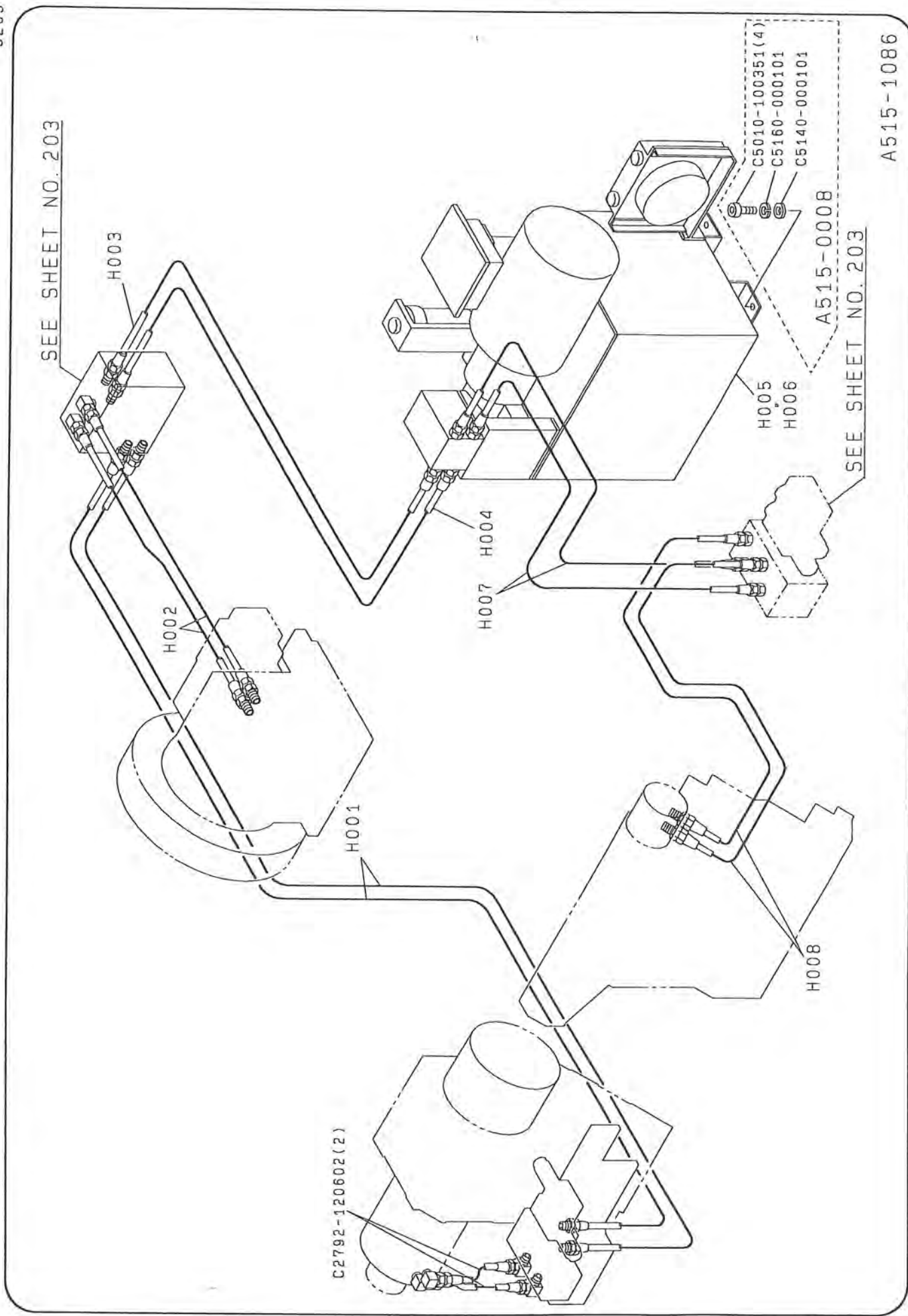
~ CONTENTS ~

SHEET NO.	ASSEMBLY NAME	PAGE
201	HYDRAULIC PIPING (AUTO)	262
202	HYDRAULIC PIPING (MANUAL)	263
203	HYDRAULIC JUNCTION ASSEMBLY	264
204	COOLANT PIPING	265
205	LUBRICATION PIPING (1)	266
206	LUBRICATION PIPING (2)	267
207	CHIP TANK	268
I	INDEX NO. LIST	269
P/P	PURCHASE PARTS LIST	270

SHEET NO. 201 HYDRAULIC PIPING (AUTO)

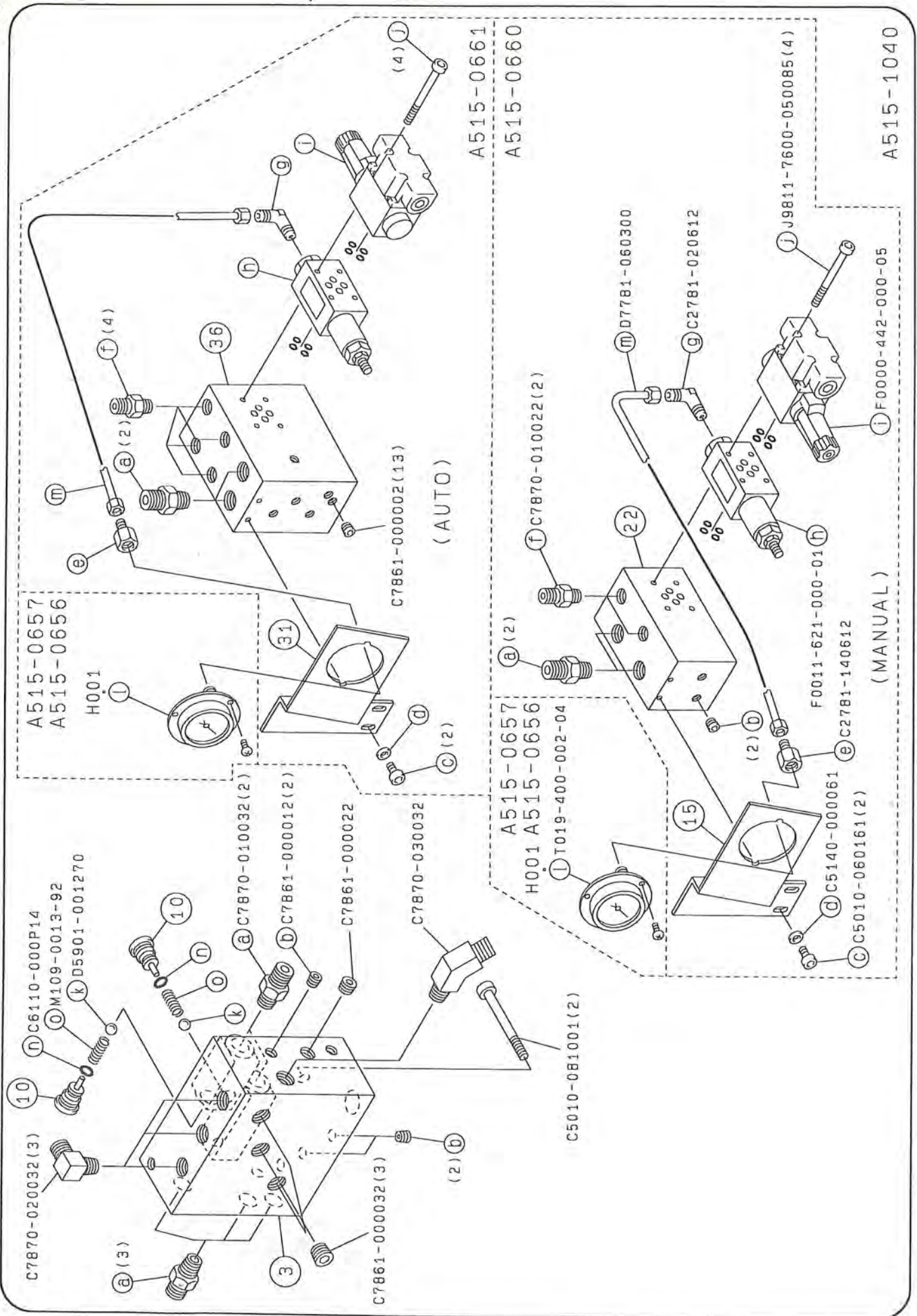
9205





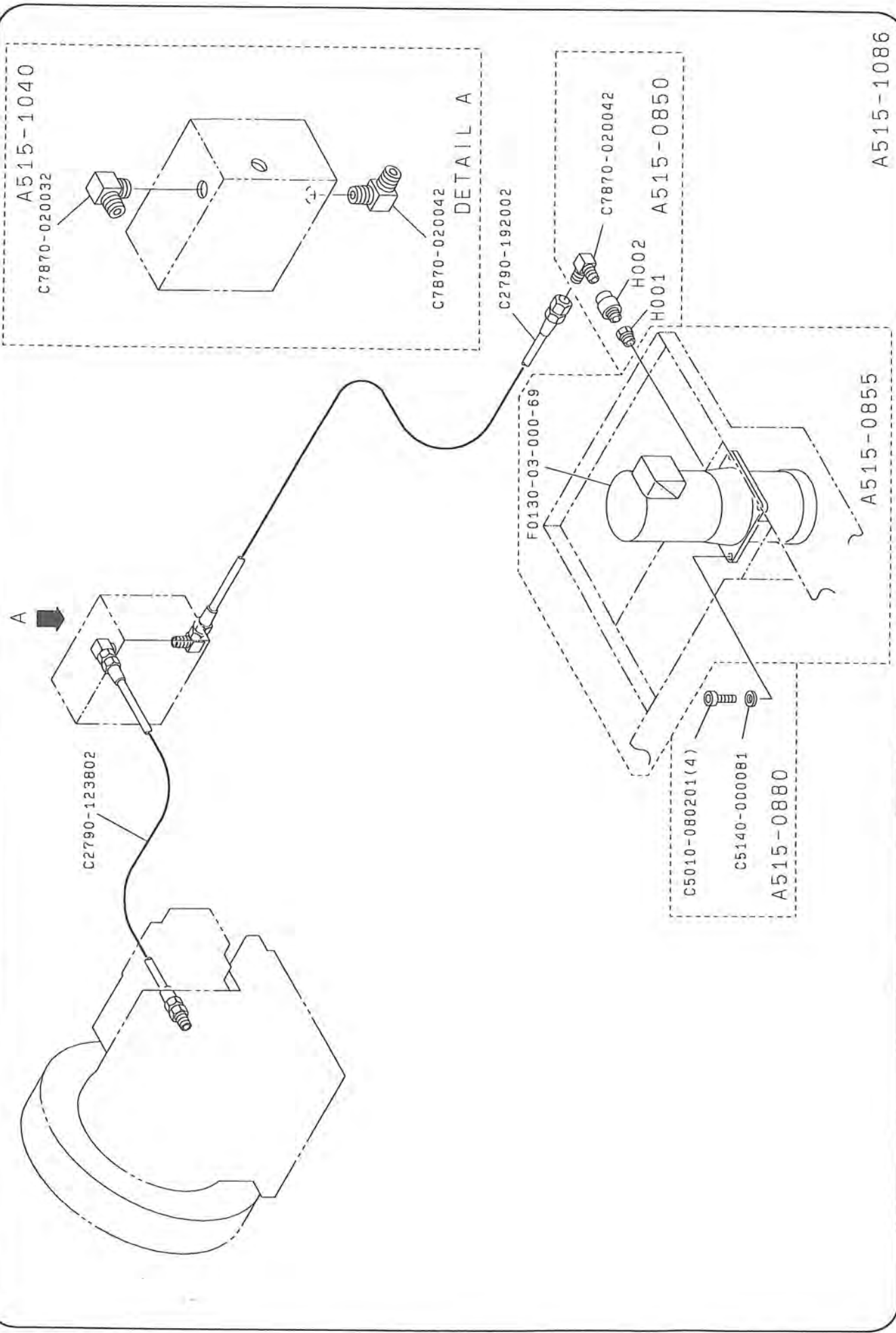
SHEET NO. 203 HYDRAULIC JUNCTION ASSEMBLY

9205



SHEET NO. 204 COOLANT PIPING

9205



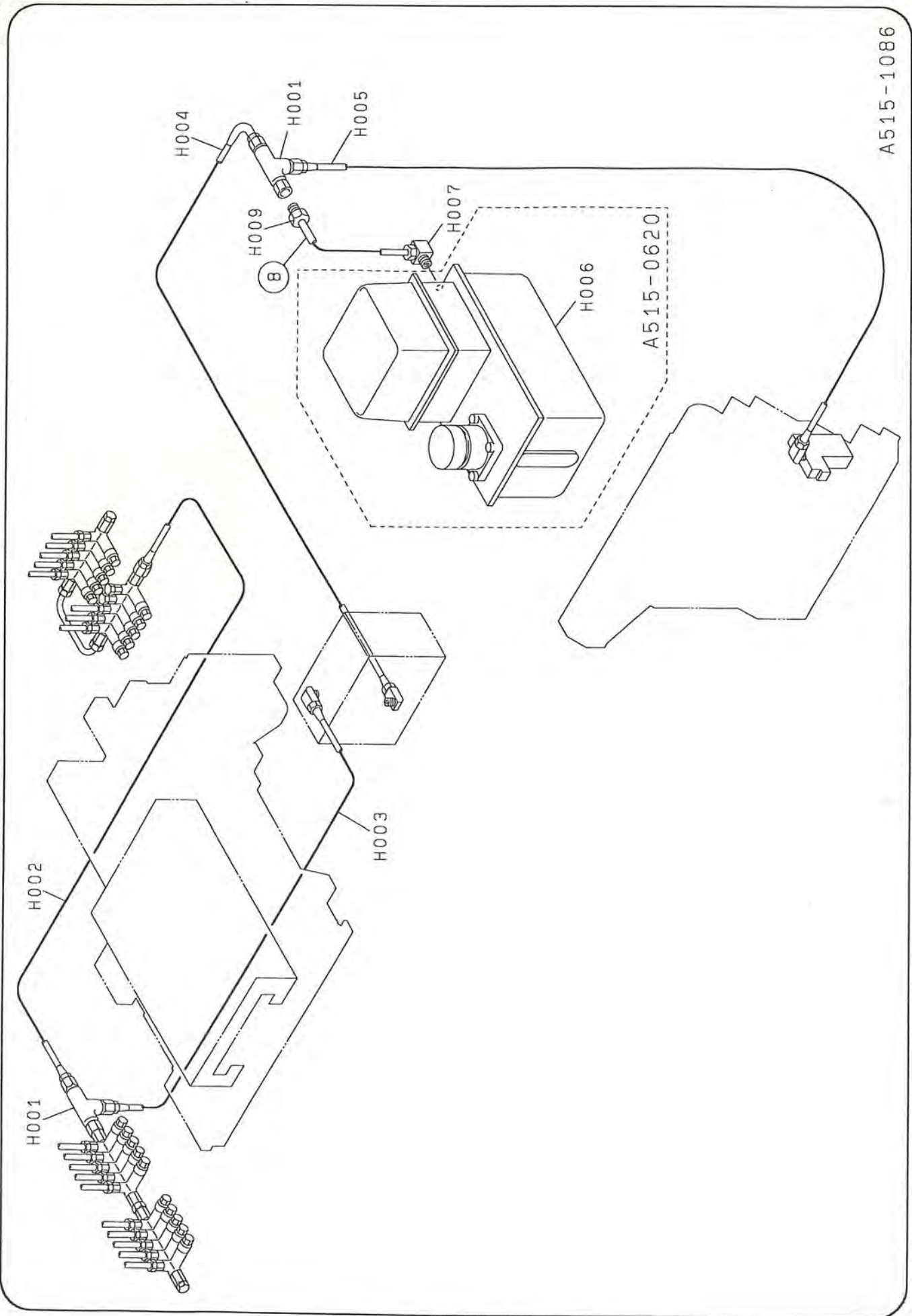
A515-1086

OKUMA Corporation

LR1525C/15C204

SHEET NO. 205 LUBRICATION PIPING (1)

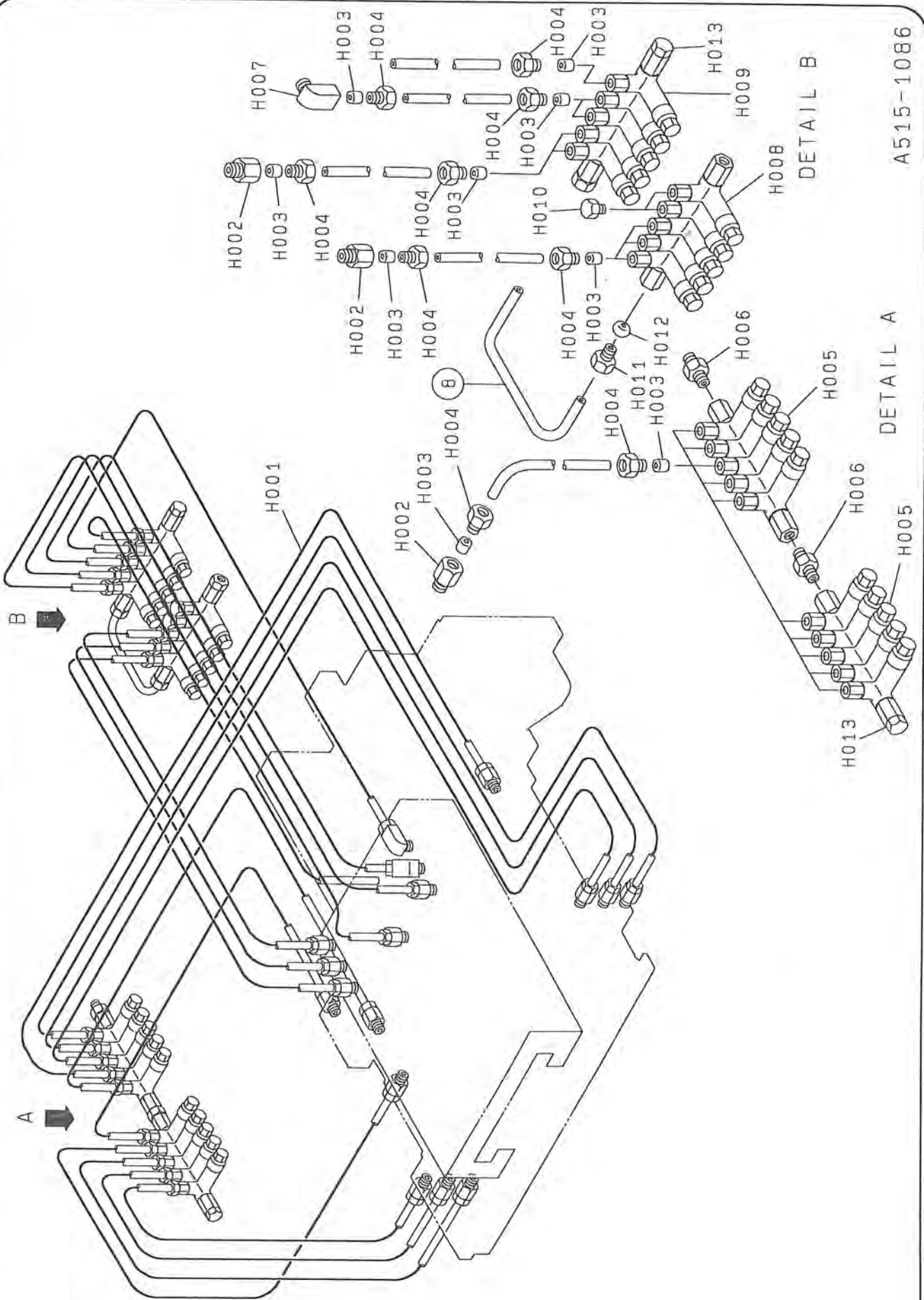
9205



A515-1086

LR1525C/15C205

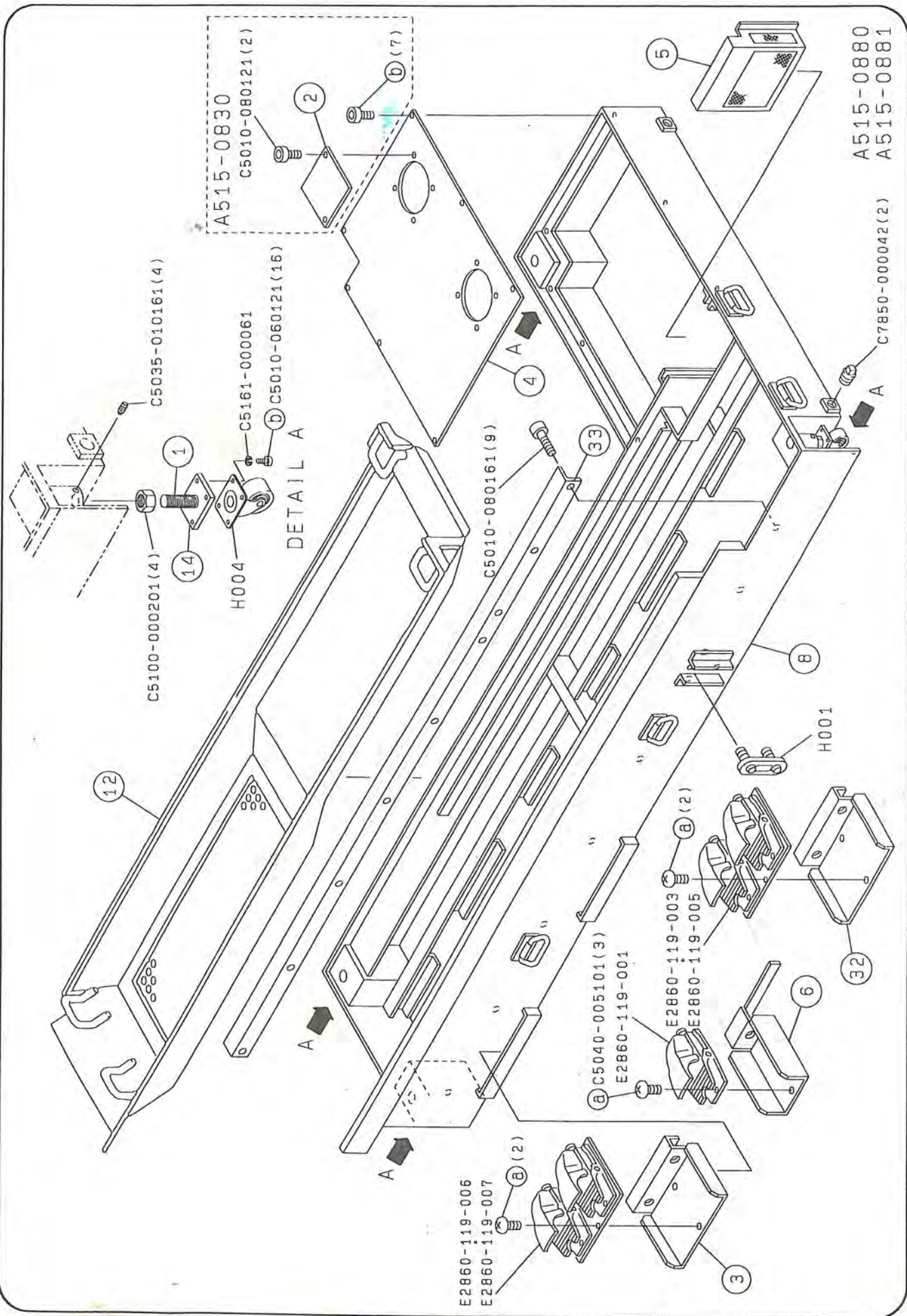
OKUMA Corporation



A515-1086

OKUMA Corporation

LR1525C/15C206

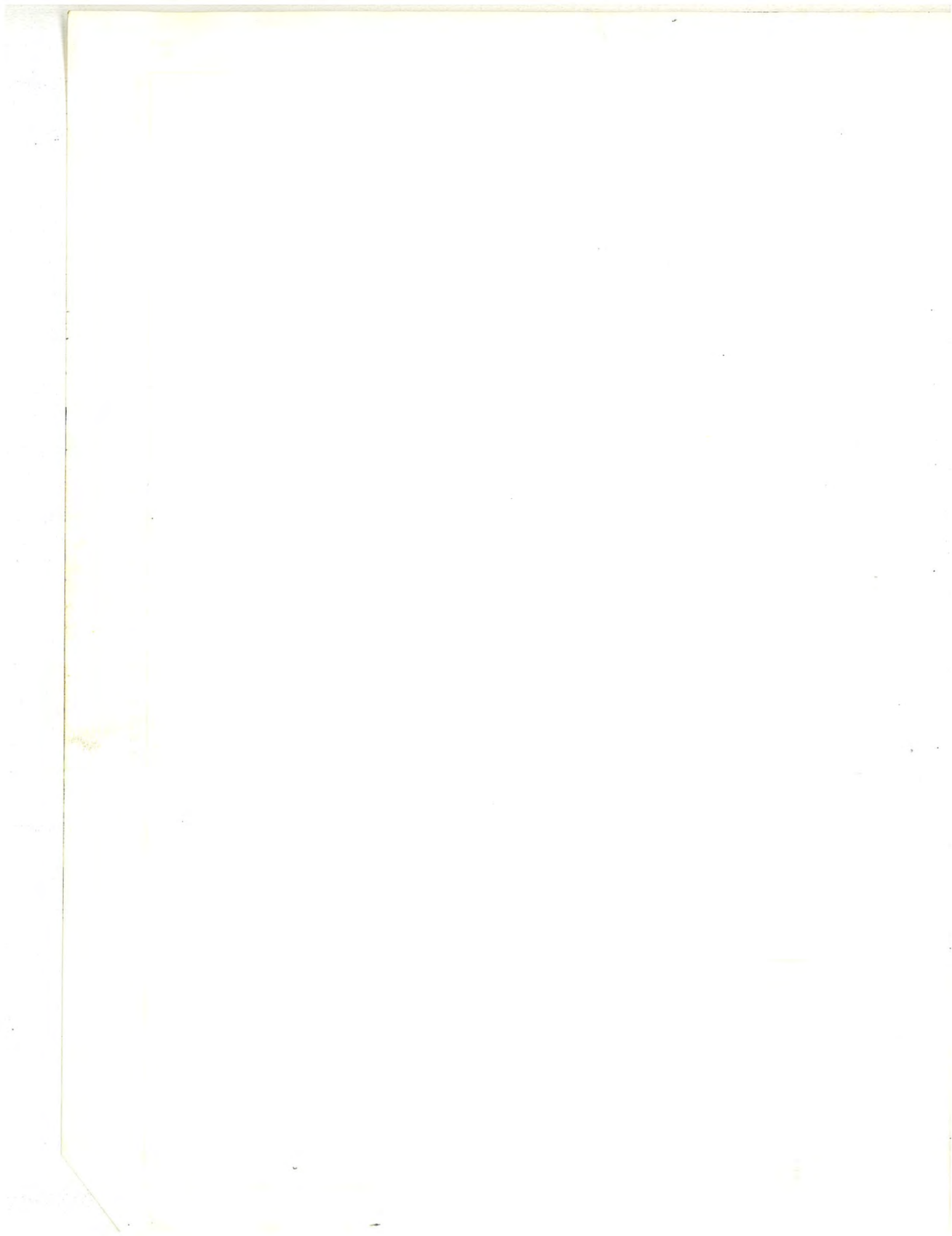


SHEET - ITEM	PART NO.	DESCRIPTION	UNIT NO.	QTY	SHEET - ITEM	PART NO.	DESCRIPTION	UNIT NO.	QTY
201 -H001	H0027-0001-98	HOSE 1/2 (3000)	A515-1086	2	205 -H002	H0022-0004-58	HOSE, flexible SHO WA FSC616	A515-1086	1
201 -H002	H0027-0003-16	HOSE 1/2 (3400)	A515-1086	2	205 -H003	H0022-0004-11	HOSE, flexible SHO WA FSC625	A515-1086	1
201 -H003	H0027-0000-65	HOSE 1/2 (400)	A515-1086	1	205 -H004	H0022-0004-77	HOSE, flexible SHO WA FSC633	A515-1086	1
201 -H004	H0027-0003-23	HOSE 1/2 (450)	A515-1086	1	205 -H005	H0022-0004-45	HOSE, flexible SHO WA FSC631	A515-1086	1
201 -H005	H0130-0008-71	HYDRAULIC UNIT (S TD)	A515-0650	1	205 -H006	H0120-0002-28-1	TANK, lubrication SHOWA MLB03W-2	A515-0620	1
201 -H006	H0130-0008-82	HYDRAULIC UNIT (I EC)	A515-0651	1	205 -H007	H0012-0005-01	NIPPLE, SHOWA PH6- 2	A515-1086	1
201 -H007	H0027-0003-32	HOSE 1/2 (2150)	A515-1086	2	205 -H009	H0012-0004-93	NIPPLE SHOWA PD56	A515-1086	1
201 -H008	H0027-0003-47	HOSE 3/8 (2700)	A515-1086	2					
202 -H001	H0027-0001-98	HOSE 1/2 (3000)	A515-1086	2	206 -008	X	PIPE, steel 6X150	A515-1086	1
202 -H002	H0027-0003-16	HOSE 1/2 (3400)	A515-1086	2	206 -H001	H0022-0002-12	PIPE, NYLON 4X2000	A515-1086	1
202 -H003	H0027-0000-65	HOSE 1/2 (400)	A515-1086	1	206 -H002	H0012-0002-48	NIPPLE PD4	A515-1086	15
202 -H004	H0027-0003-23	HOSE 1/2 (450)	A515-1086	1	206 -H003	H0010-0300-27	SLEEVE PB4	A515-1086	40
202 -H005	H0130-0008-71	HYDRAULIC UNIT (S TD)	A515-0650	1	206 -H004	H0010-0300-26	PLUG PA4	A515-1086	40
202 -H006	H0130-0008-82	HYDRAULIC UNIT (I EC)	A515-0651	1	206 -H005	H0012-0007-04	BLOCK 0.1X5 0.03X 5	A515-1086	1
202 -H007	H0027-0003-32	HOSE 1/2 (2150)	A515-1086	2	206 -H006	H0012-0007-42	CONNECTOR PQ10T	A515-1086	2
202 -H008	H0027-0003-47	HOSE 3/8 (2700)	A515-1086	2	206 -H007	H0010-0300-28	ELBOW PH4	A515-1086	2
203 -003	515-0620-44-1	MANIFOLD	A515-1040	1	206 -H008	H0012-0007-45	BLOCK DS5 0.1X2 0 .03X3	A515-1086	1
203 -010	522-0651-02-3	CAP	A515-1040	2	206 -H009	H0012-0007-02	BLOCK DS5 0.1X1 0 .03X4	A515-1086	1
203 -015	522-1011-57-3	SUPPORT	A515-0862	1	206 -H010	H0012-0005-44	PLUG PG004	A515-1086	2
203 -022	515-0600-68-1	MANIFOLD	A515-0862	1	206 -H011	H0012-0001-12	PLUG PA6	A515-1086	2
203 -031	522-1011-57-3	SUPPORT	A515-0862	1	206 -H012	H0012-0001-11	SLEEVE PB6	A515-1086	2
203 -036	515-0600-67-1	MANIFOLD	A515-0661	1	206 -H013	H0031-0013-70	PLUG PG10	A515-1086	2
203 -H001	H0130-0007-54	GAUGE TOYO DUI/4X M60X100P	A515-0657	2					
204 -H001	H0015-0001-80	SOCKET	A515-0850	1	207 -001	510-0800-31-01	BOLT	A515-0880	4
204 -H002	H0010-0021-73	COUPLER	A515-0850	1	207 -001	510-0800-31-01	BOLT	A515-0881	4
205 -008	X	PIPE, steel 6X100	A515-1086	1	207 -002	515-0802-13	COVER	A515-0830	1
205 -H001	H0012-0006-99	TEE SHOWA PK6	A515-1086	2	207 -003	515-0001-08-3	SUPPORT	A515-0490	1
					207 -003	515-0001-11-2	SUPPORT	A515-0491	1
					207 -004	515-0802-12	PLATE	A515-0880	1
					207 -004	515-0802-12	PLATE	A515-0881	1
					207 -005	515-0802-27	FILTER	A515-0880	1

SHEET - ITEM	PART NO.	DESCRIPTION	UNIT NO.	QTY	SHEET - ITEM	PART NO.	DESCRIPTION	UNIT NO.	QTY
207 -005	515-0802-27	FILTER	A515-0881	1					
207 -006	515-1020-01-02	SUPPORT	A515-1020	1					
207 -008	515-0801-07-02	TANK (FOR CHIP CO NVEYOR)	A515-0881	1					
207 -008	515-0801-07-02	TANK (FOR CHIP CO NVEYOR)	A515-0880	1					
207 -012	515-0910-10-3	GUIDE	A515-0880	1					
207 -012	515-0910-10-3	GUIDE	A515-0881	1					
207 -014	540-0800-89-01	FLANGE	A515-0880	1					
207 -014	540-0800-89-01	FLANGE	A515-0881	1					
207 -032	515-1020-02-3	SUPPORT	A515-1021	1					
207 -032	515-1020-03-2	SUPPORT	A515-1022	1					
207 -033	515-0800-99	SUPPORT	A515-0881	1					
207 -H001	H0090-0000-74	OIL GAUGE KOHO AP	A515-0881	2					
207 -H004	H1080-0002-86	-1 CASTER	A515-0881	4					

PURCHASE PARTS LIST

PARTS NO.	DESCRIPTION	PARTS NO.	DESCRIPTION
F0000-442-000-05	SOL. NACHI S-G01-C5-GRZ-D2-30		
F0011-621-000-01	VALVE, reducing NACHI		
F0130-03-000-69	PUMP, coolant		
M001-NKI-12/16	BEARING NTN NK16/16		
M109-0013-92	SPRING 0.55X7.25X32X16		
T019-400-002-04	GAUGE, pressure TOYO DUI/4		



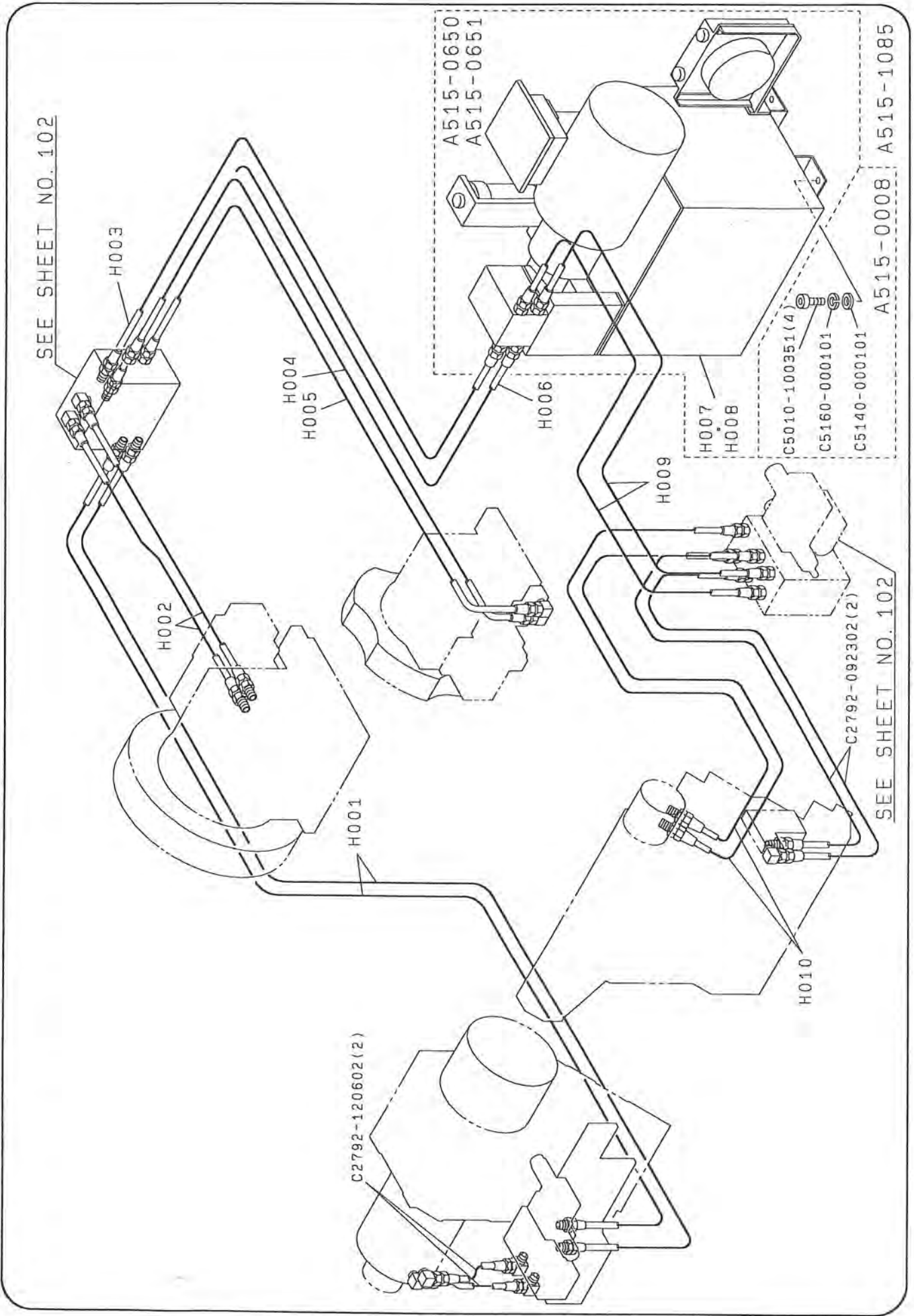
(9) PIPING GROUP (2SC 600)

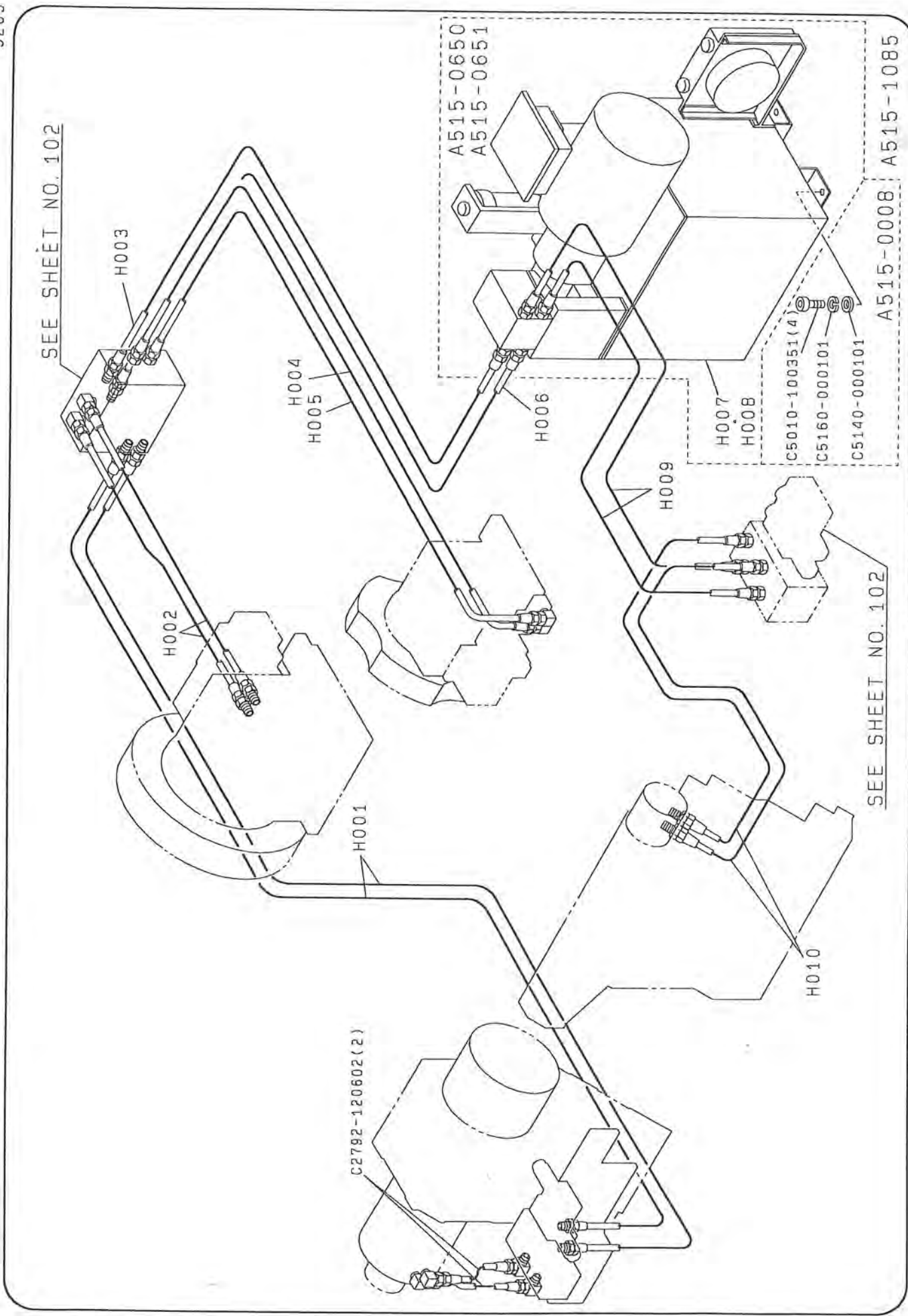
~ CONTENTS ~

SHEET NO.	ASSEMBLY NAME	PAGE
100	HYDRAULIC PIPING (AUTO)	302
101	HYDRAULIC PIPING (MANUAL)	303
102	HYDRAULIC JUNCTION ASSEMBLY	304
103	COOLANT PIPING	305
104	LUBRICATION PIPING (1)	306
105	LUBRICATION PIPING (2)	307
106	LUBRICATION PIPING (3)	308
107	CHIP TANK	309
107A	CHIP TANK (BACK)	310
I	INDEX NO. LIST	311
P/P	PURCHASE PARTS LIST	312

SHEET NO. 100 HYDRAULIC PIPING (AUTO)

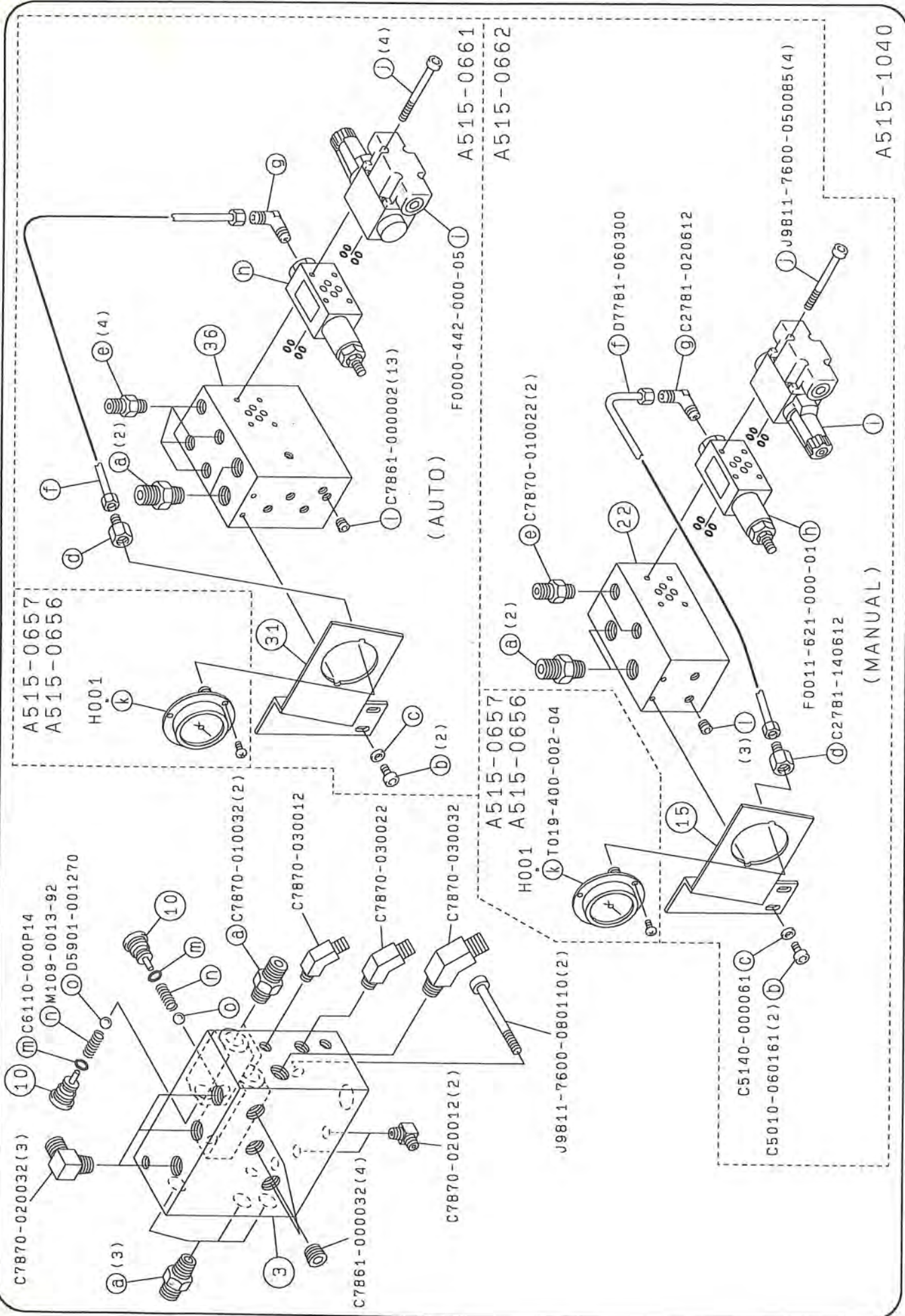
9205





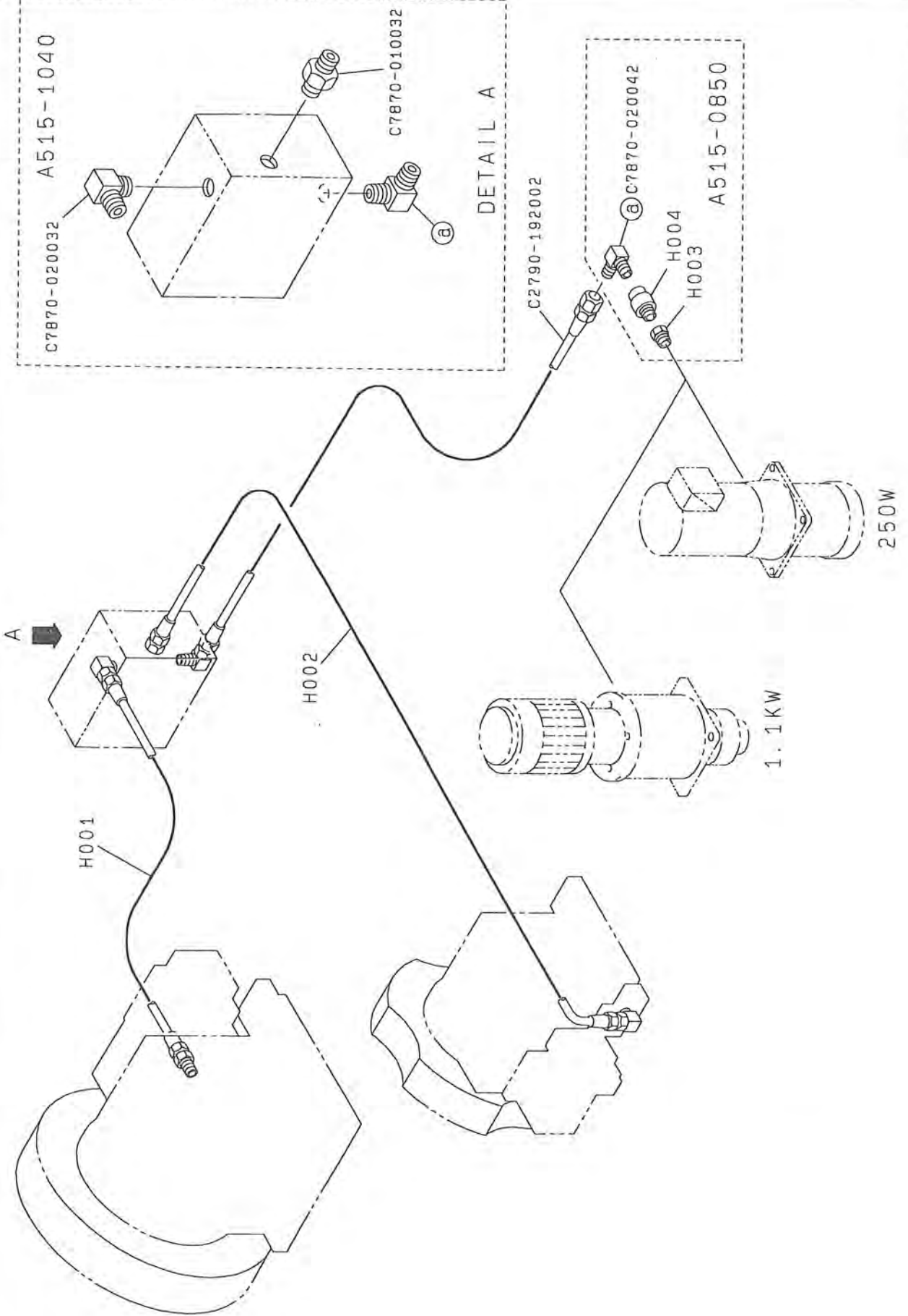
SHEET NO. 102 HYDRAULIC JUNCTION ASSEMBLY

9205



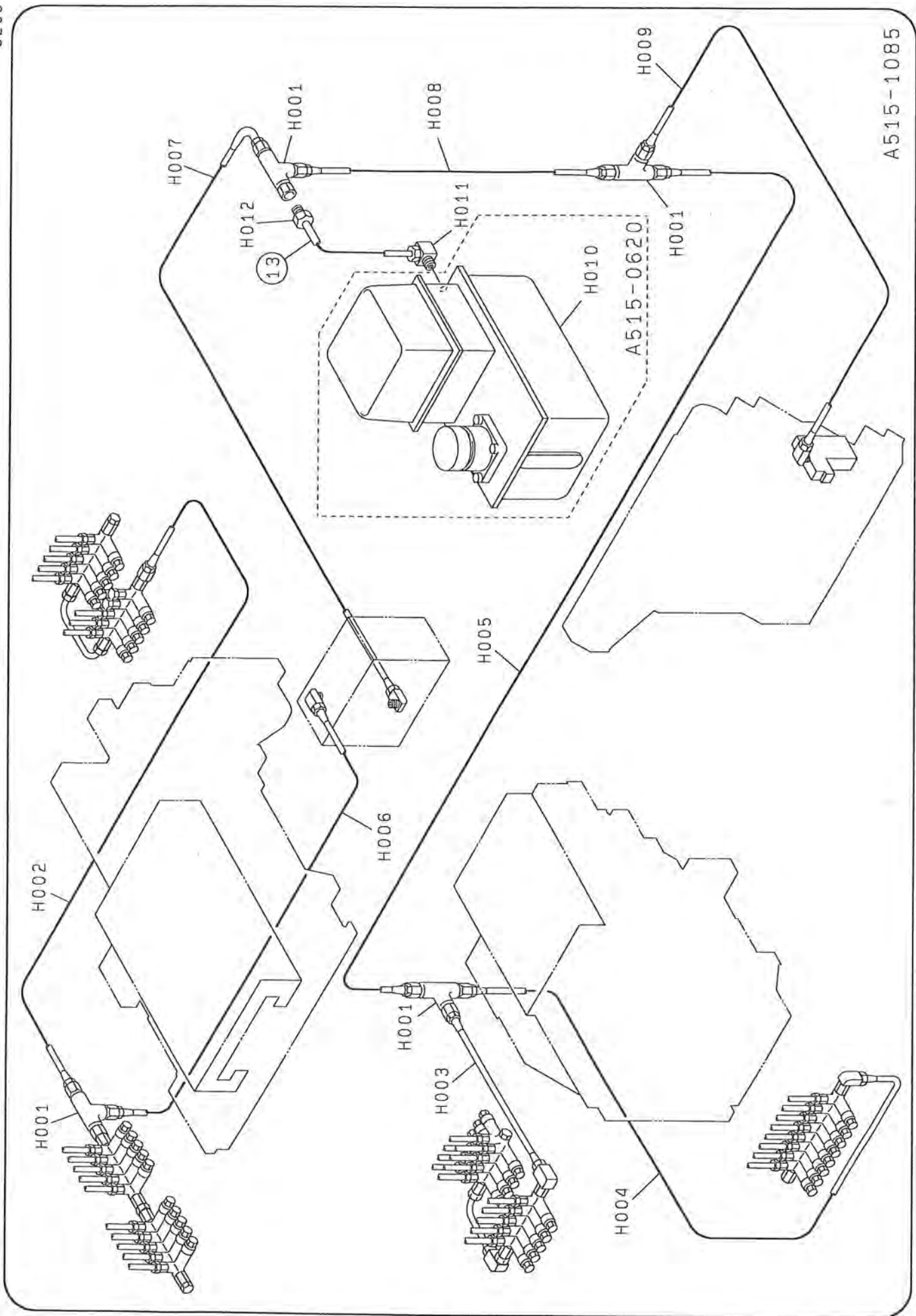
SHEET NO. 103 COOLANT PIPING

9205



SHEET NO. 104 LUBRICATION PIPING (1)

9205



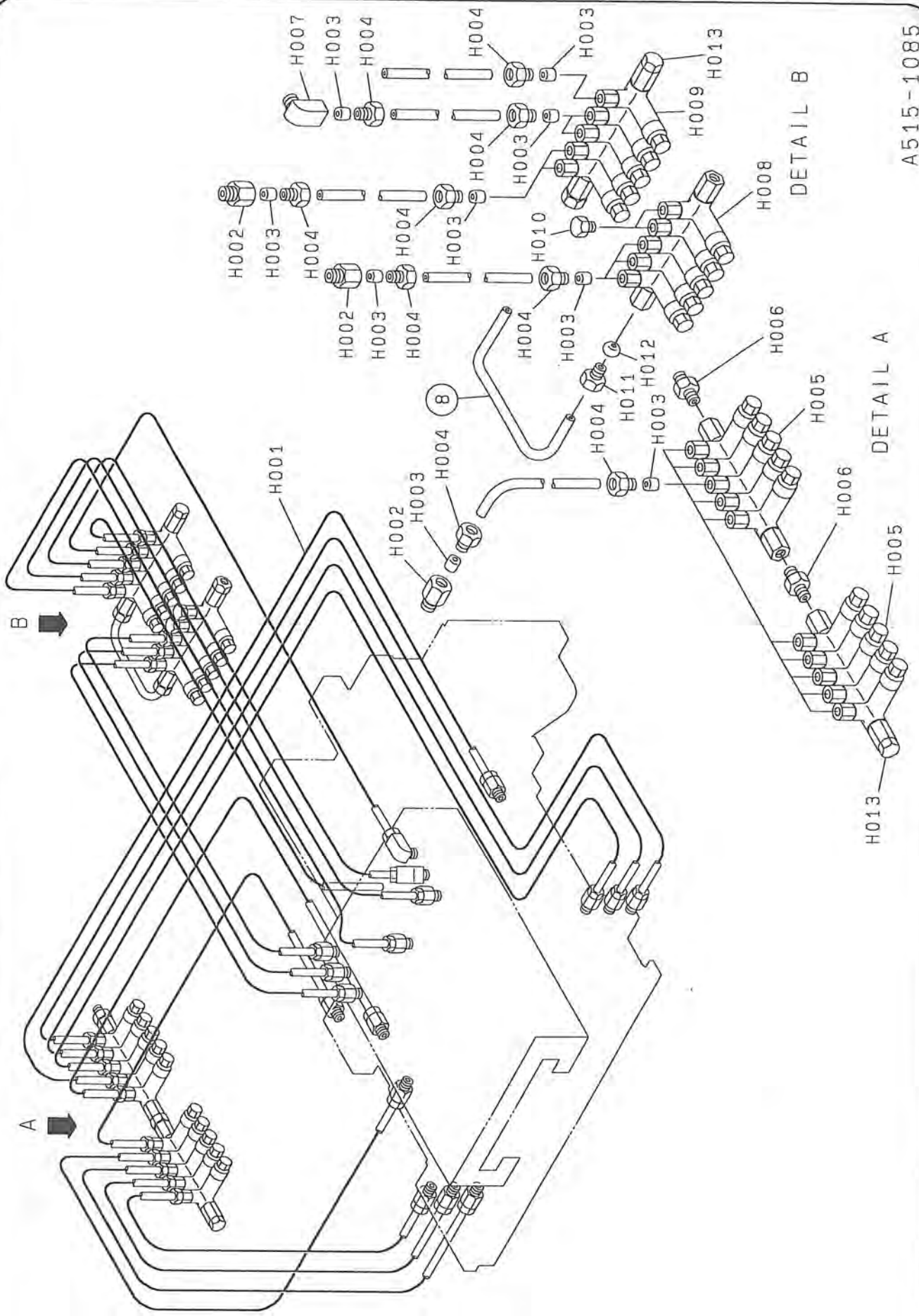
A515-1085

OKUMA CORPORATION

1015250/150104

SHEET NO. 105 LUBRICATION PIPING (2)

9205



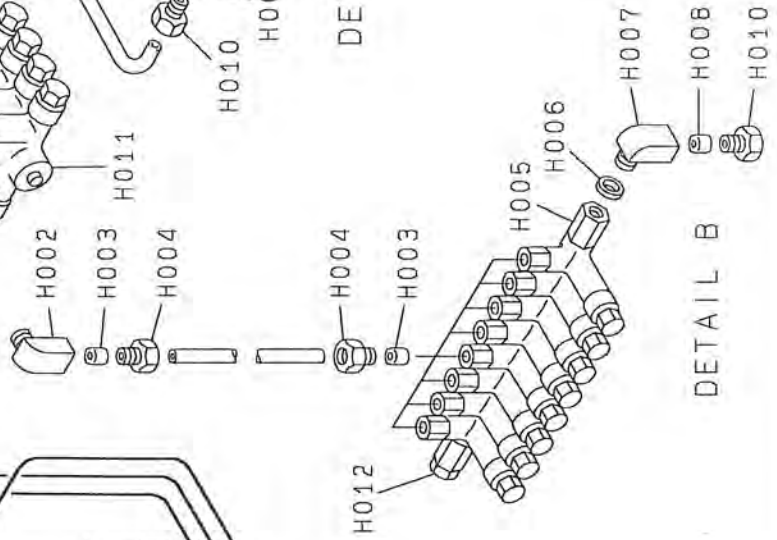
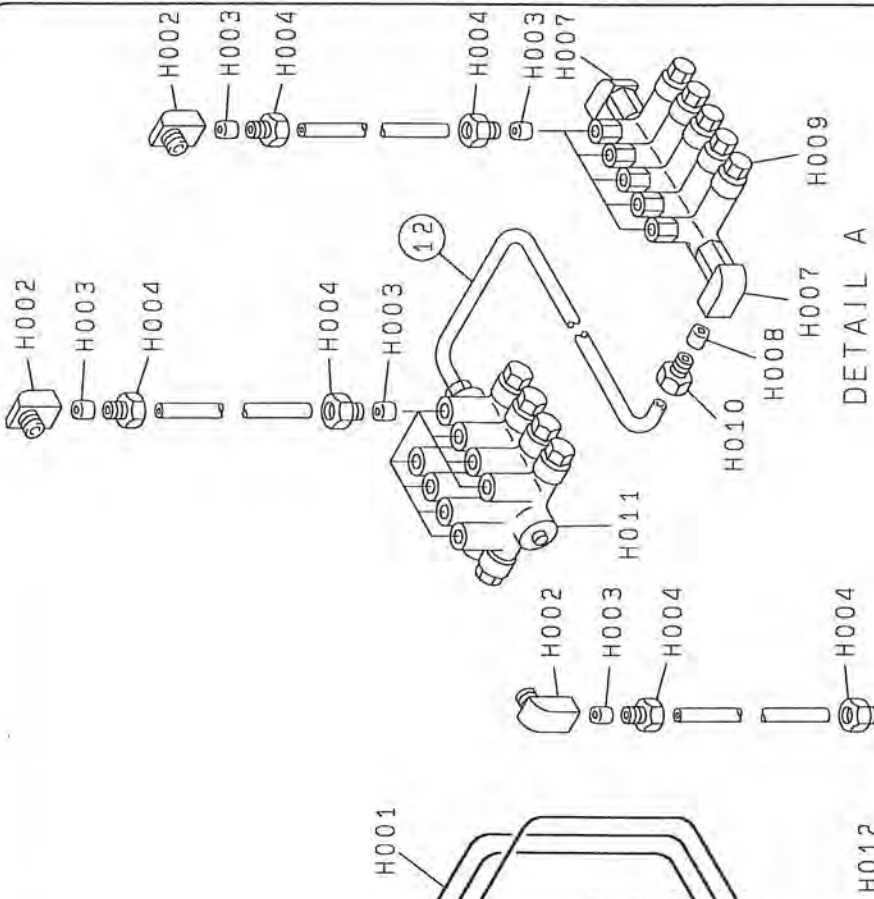
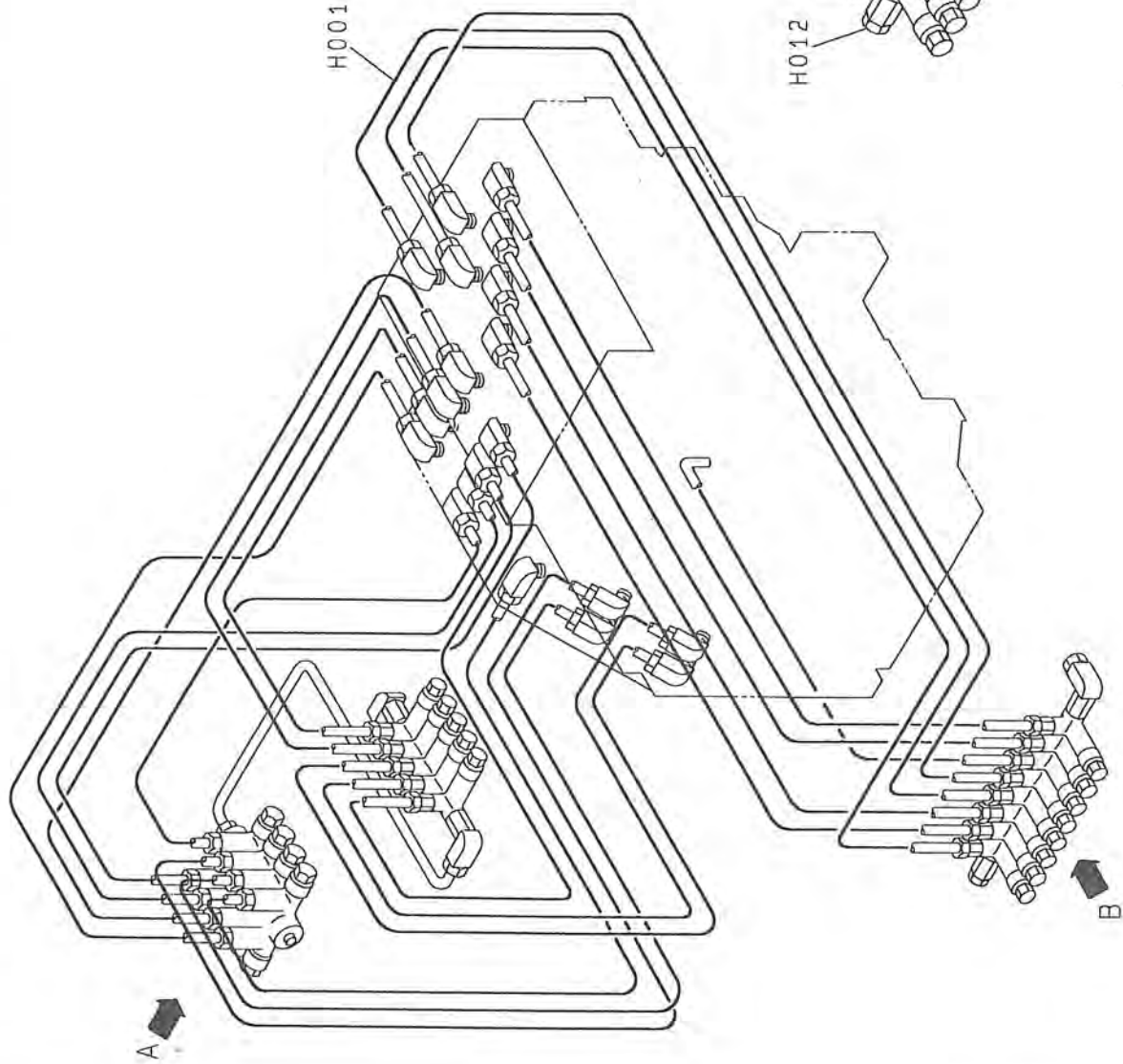
A515-1085

OKUMA Corporation

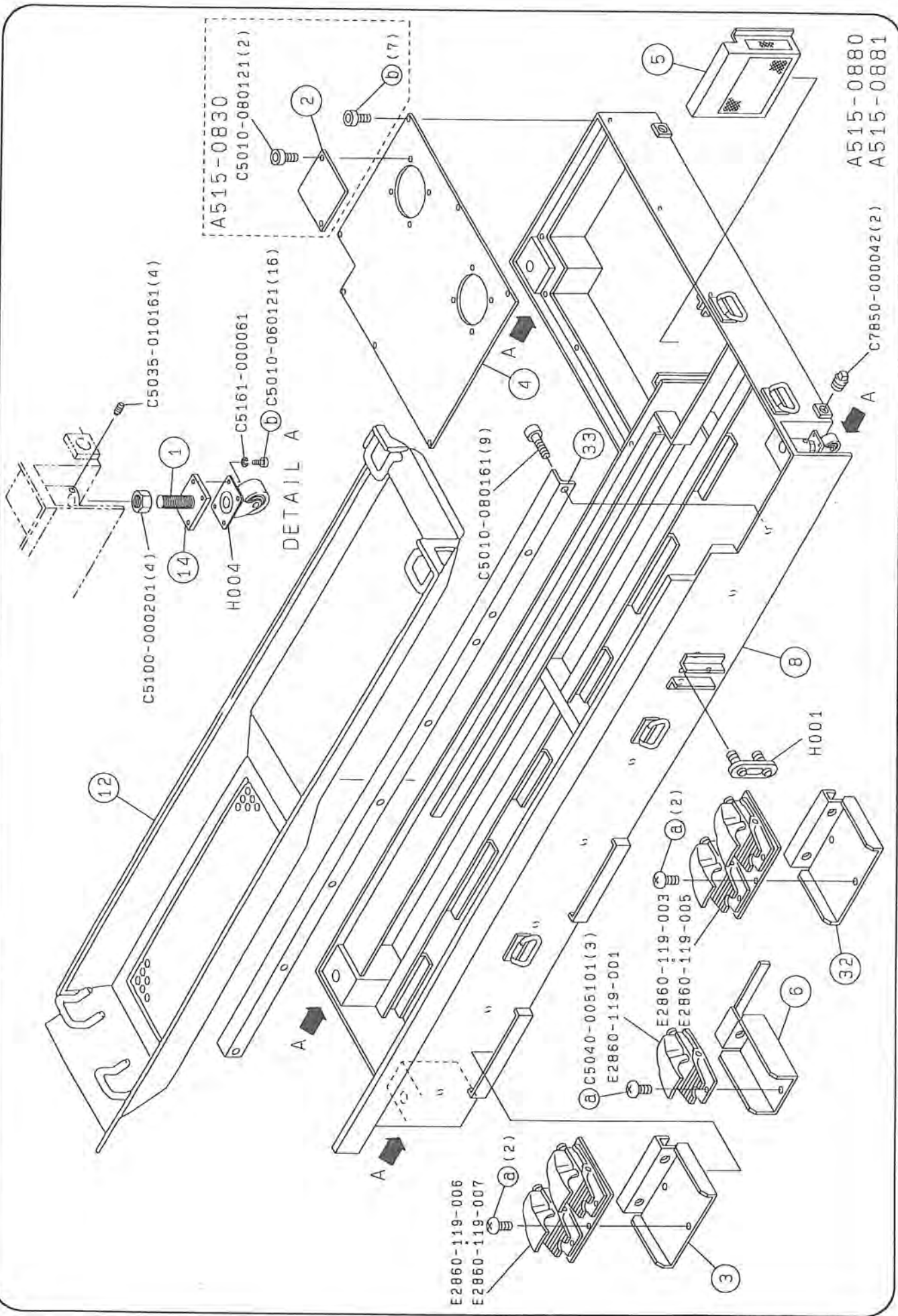
LR1525C/15C105

SHEET NO. 106 LUBRICATION PIPING (3)

9205

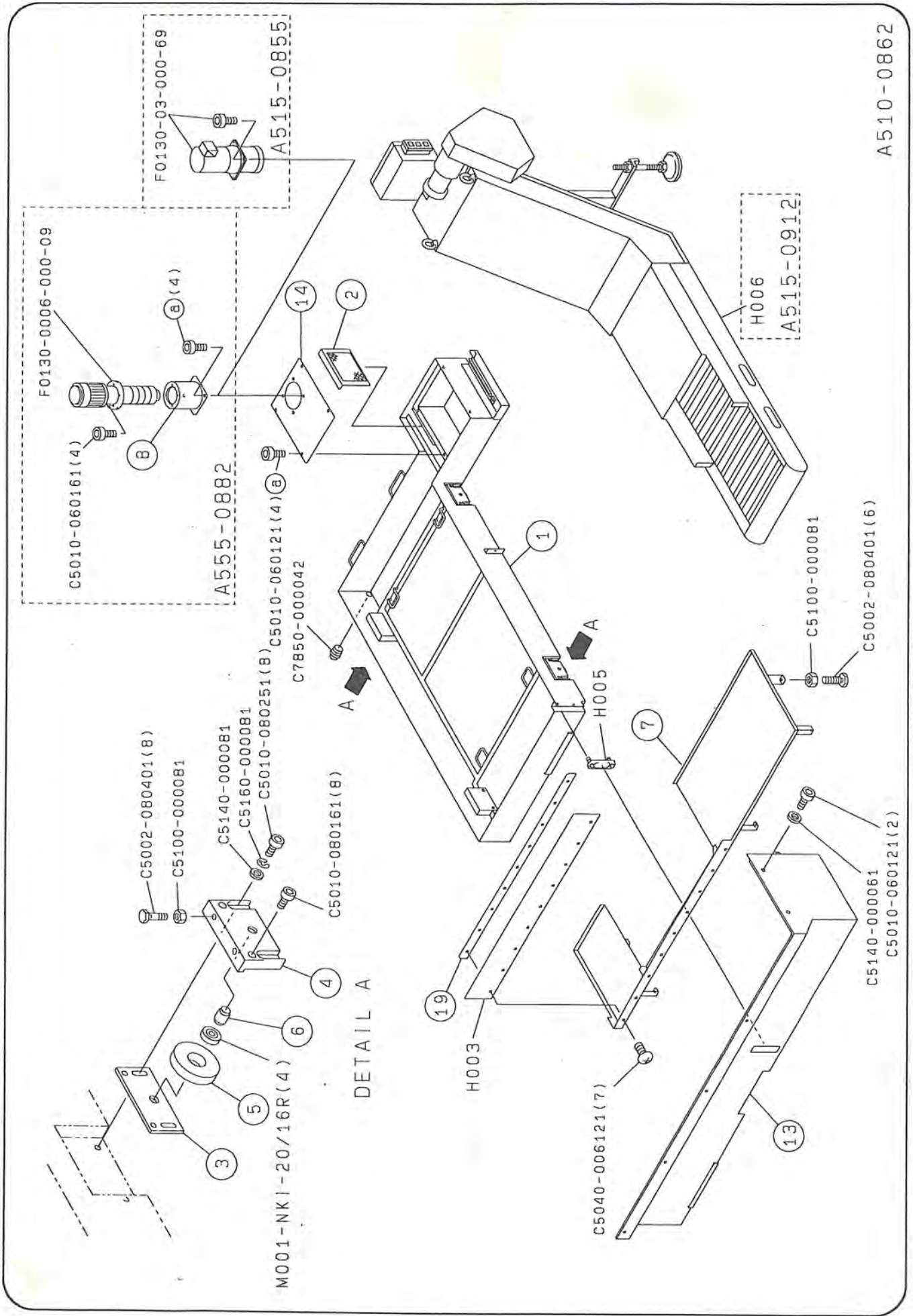


A515-1085



SHEET NO. 107A CHIP TANK (BACK)

9205



DETAIL A

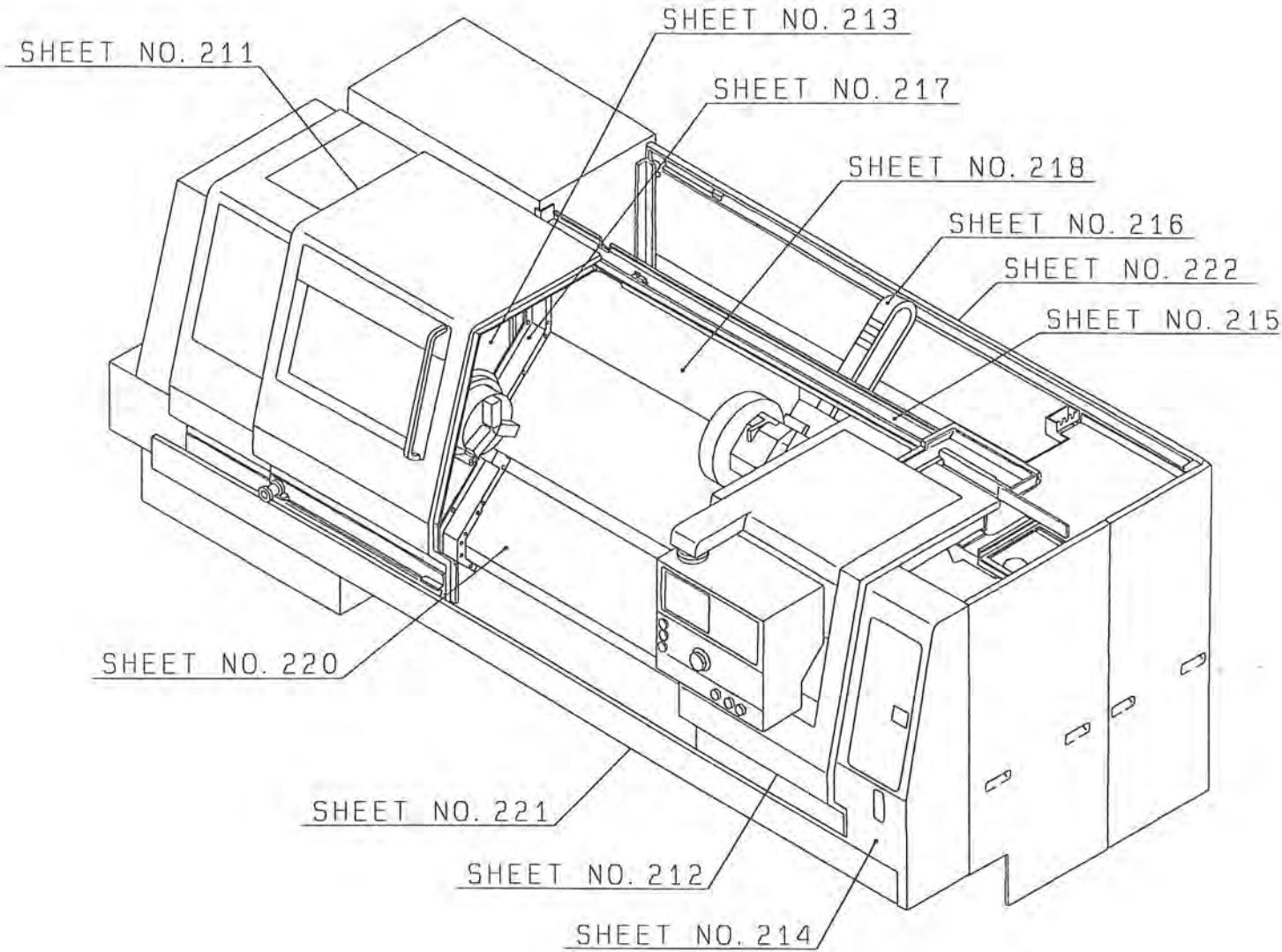
SHEET - ITEM	PART NO.	DESCRIPTION	UNIT NO.	QTY	SHEET - ITEM	PART NO.	DESCRIPTION	UNIT NO.	QTY
100 -H001	H0027-0001-98	HOSE 1/2 (3000)	A515-1085	2	103 -H002	H0027-0003-29	HOSE TOKAI	A515-1085	1
100 -H002	H0027-0000-55	HOSE 1/2 (3200)	A515-1085	2	103 -H003	H0015-0001-80	SOCKET	A515-0850	1
100 -H003	H0027-0000-65	HOSE 1/2 (400)	A515-1085	1	103 -H004	H0010-0021-73	COUPLER	A515-0850	1
100 -H004	H0027-0003-24	HOSE 1/4 (5200)	A515-1085	1					
100 -H005	H0027-0003-25	HOSE 3/8 (5200)	A515-1085	1	104 -013	X	PIPE, steel 6X100	A515-1085	1
100 -H006	H0027-0003-23	HOSE 1/2 (450)	A515-1085	1	104 -H001	H0012-0006-99	TEE SHOWA PKD6	A515-1085	4
100 -H007	H0130-0008-71	HYDRAULIC UNIT (S TD)	A515-0650	1	104 -H002	H0022-0004-58	HOSE, flexible SHO WA FSC616	A515-1085	1
100 -H008	H0130-0008-82	HYDRAULIC UNIT (I EC)	A515-0651	1	104 -H003	H0022-0004-57	HOSE, flexible SHO WA FSC607	A515-1085	1
100 -H009	H0027-0003-32	HOSE 1/2 (2150)	A515-1085	2	104 -H004	H0026-0002-58	HOSE, flexible SHO WA FSC614	A515-1085	1
100 -H010	H0027-0003-26	HOSE 3/8 (2450)	A515-1085	2	104 -H005	H0022-0003-43	HOSE, flexible SHO WA FSC620	A515-1085	1
					104 -H006	H0022-0004-59	HOSE, flexible SHO	A515-1085	1
101 -H001	H0027-0001-98	HOSE 1/2 (3000)	A515-1085	2	104 -H007	H0022-0004-77	HOSE, flexible SHO WA FSC623	A515-1085	1
101 -H002	H0027-0000-55	HOSE 1/2 (3200)	A515-1085	2	104 -H008	H0022-0004-09	HOSE, flexible SHO WA FSC633	A515-1085	1
101 -H003	H0027-0000-65	HOSE 1/2 (400)	A515-1085	1	104 -H009	H0022-0004-67	HOSE, flexible SHO WA FSC610	A515-1085	1
101 -H004	H0027-0003-24	HOSE 1/4 (5200)	A515-1085	1	104 -H010	H0120-0002-28-1	TANK, lubrication SHOWA MLR03W-2	A515-0620	1
101 -H005	H0027-0003-25	HOSE 3/8 (5200)	A515-1085	1	104 -H011	H0012-0005-01	NIPPLE SHOWA PH6- 2	A515-1085	1
101 -H006	H0027-0003-23	HOSE 1/2 (450)	A515-1085	1	104 -H012	H0012-0004-93	NIPPLE SHOWA PD56	A515-1085	1
101 -H007	H0130-0008-71	HYDRAULIC UNIT (S TD)	A515-0650	1					
101 -H008	H0130-0008-82	HYDRAULIC UNIT (I EC)	A515-0651	1	105 -008	X	PIPE, steel 6X150	A515-1085	1
101 -H009	H0027-0003-32	HOSE 1/2 (2150)	A515-1085	2	105 -H001	H0022-0002-12	PIPE, NYLON 4X2000	A515-1085	1
101 -H010	H0027-0003-26	HOSE 3/8 (2450)	A515-1085	2	105 -H002	H0012-0002-48	NIPPLE PD4	A515-1085	15
					105 -H003	H0010-0300-27	SLEEVE PB4	A515-1085	40
102 -003	515-0620-44-1	MANIFOLD	A515-1040	1	105 -H004	H0010-0300-26	PLUG PA4	A515-1085	40
102 -010	522-0551-02-3	CAP	A515-1040	2	105 -H005	H0012-0007-04	BLOCK 0.1X5 0.03X 5	A515-1085	2
102 -015	522-1011-57-3	SUPPORT	A515-0662	1	105 -H006	H0012-0007-42	CONNECTOR PQ10T	A515-1085	2
102 -022	515-0600-68-1	MANIFOLD	A515-0662	1	105 -H007	H0010-0300-28	ELBOW PH4	A515-1085	2
102 -031	522-1011-57-3	SUPPORT	A515-0661	1	105 -H008	H0012-0007-45	BLOCK DS5 0.1X2 0 .03X3	A515-1085	1
102 -036	515-0600-67-1	MANIFOLD	A515-0661	1	105 -H009	H0012-0007-02	BLOCK DS5 0.1X1 0 .03X4	A515-1085	1
102 -H001	H0130-0007-54	GAUGE TOYO DU1/4X M60X1000P	A515-0657	2	105 -H010	H0012-0005-44	PLUG PG004	A515-1085	2
					105 -H011	H0012-0001-12	PLUG PA6	A515-1085	2
103 -H001	H0027-0003-28	HOSE TOKAI	A515-1085	1	105 -H012	H0012-0001-11	SLEEVE PB6	A515-1085	2

I N D E X N O . L I S T

SHEET - ITEM	PART NO.	DESCRIPTION	UNIT NO.	QTY	SHEET - ITEM	PART NO.	DESCRIPTION	UNIT NO.	QTY
105 - H013	H0031-0013-70	PLUG PG10	A515-1085	2	107 - 014	540-0800-89-01	FLANGE	A515-0881	1
106 - 012	X	PIPE, nylon	A515-1085	1	107 - 032	515-1020-02-3	SUPPORT	A515-1021	1
106 - H001	H0022-0002-12	PIPE, nylon 4X2000	A515-1085	1	107 - 032	515-1020-03-2	SUPPORT	A515-1022	1
106 - H002	H0010-0300-28	ELBOW PH4	A515-1085	20	107 - 033	515-0800-99	SUPPORT	A515-0881	1
106 - H003	H0010-0300-27	SLEEVE PB4	A515-1085	40	107 - H001	H0090-0000-74	OIL GAUGE KOHO AP	A515-0881	2
106 - H004	H0010-0300-26	PLUG PA4	A515-1085	40	107 - H004	H1080-0002-86	CASTER	A515-0881	4
106 - H005	H0012-0007-03	BLOCK DS8 0.03X7 0.1X1	A515-1085	1	107A-001	515-0860-01-6	TANK	A515-0862	1
106 - H006	H0012-0007-07	GASKET 3-1846	A515-1085	1	107A-002	515-0860-02	FILTER	A515-0862	1
106 - H007	H0012-0005-94	ELBOW PH6-M10	A515-1085	3	107A-003	515-0860-03	PLATE	A515-0862	4
106 - H008	H0012-0001-11	SLEEVE PB6	A515-1085	2	107A-004	515-0860-04-3	PLATE	A515-0862	4
106 - H009	H0012-0007-02	BLOCK DS5 0.03X4 0.1X1	A515-1085	1	107A-005	515-0860-05	ROLLER	A515-0862	4
106 - H010	H0012-0001-12	PLUG PAG	A515-1085	2	107A-006	515-0860-06	SHAFT	A515-0862	4
106 - H011	H0015-0002-80	BLOCK DSA8 0.2X7 0.1X1	A515-1085	1	107A-007	515-0860-07-2	PAN	A515-0862	1
106 - H012	H0031-0013-70	PLUG, seal PG10	A515-1085	1	107A-008	515-0810-67-2	BASE	A515-0851	1
107 - 001	510-0800-31-01	BOLT	A515-0880	4	107A-013	515-0860-13-2	COVER	A515-0862	1
107 - 001	510-0800-31-01	BOLT	A515-0881	4	107A-014	515-0860-15-3	PLATE	A515-0862	1
107 - 002	515-0802-13	COVER	A515-0830	1	107A-019	515-0860-32	PLATE	A515-0862	1
107 - 003	515-0001-08-3	SUPPORT	A515-0490	1	107A-H003	H1020-1109-17	PLATE	A515-0862	1
107 - 003	515-0001-11-2	SUPPORT	A515-0491	1	107A-H005	H0039-0002-02	OIL GAUGE	A515-0862	1
107 - 004	515-0802-12	PLATE	A515-0880	1	107A-H006	H0190-0028-64	CONVEYOR, chip	A515-0912	1
107 - 004	515-0802-12	PLATE	A515-0881	1					
107 - 005	515-0802-27	FILTER	A515-0880	1					
107 - 005	515-0802-27	FILTER	A515-0881	1					
107 - 006	515-1020-01-02	SUPPORT	A515-1020	1					
107 - 008	515-0801-07-02	TANK (FOR CHIP CO NVEYOR)	A515-0880	1					
107 - 008	515-0801-07-02	TANK (FOR CHIP CO NVEYOR)	A515-0881	1					
107 - 012	515-0910-10-3	GUIDE	A515-0880	1					
107 - 012	515-0910-10-3	GUIDE	A515-0881	1					
107 - 014	540-0800-89-01	FLANGE	A515-0880	1					

PURCHASE PARTS LIST

PARTS NO.	DESCRIPTION	PARTS NO.	DESCRIPTION
F0000-442-000-05	SOL. NACHI S-G01-C5-GRZ-D2-30		
F0011-621-000-01	VALVE, reducing NACHI		
F0130-03-000-69	PUMP, coolant		
M001-NKI-12/16	BEARING NTN NK16/16		
M109-0013-92	SPRING 0.55X7.25X32X16		
T019-400-002-04	GAUGE, pressure TOYO DUI/4		



(10) COVER GROUP (1SC 800)

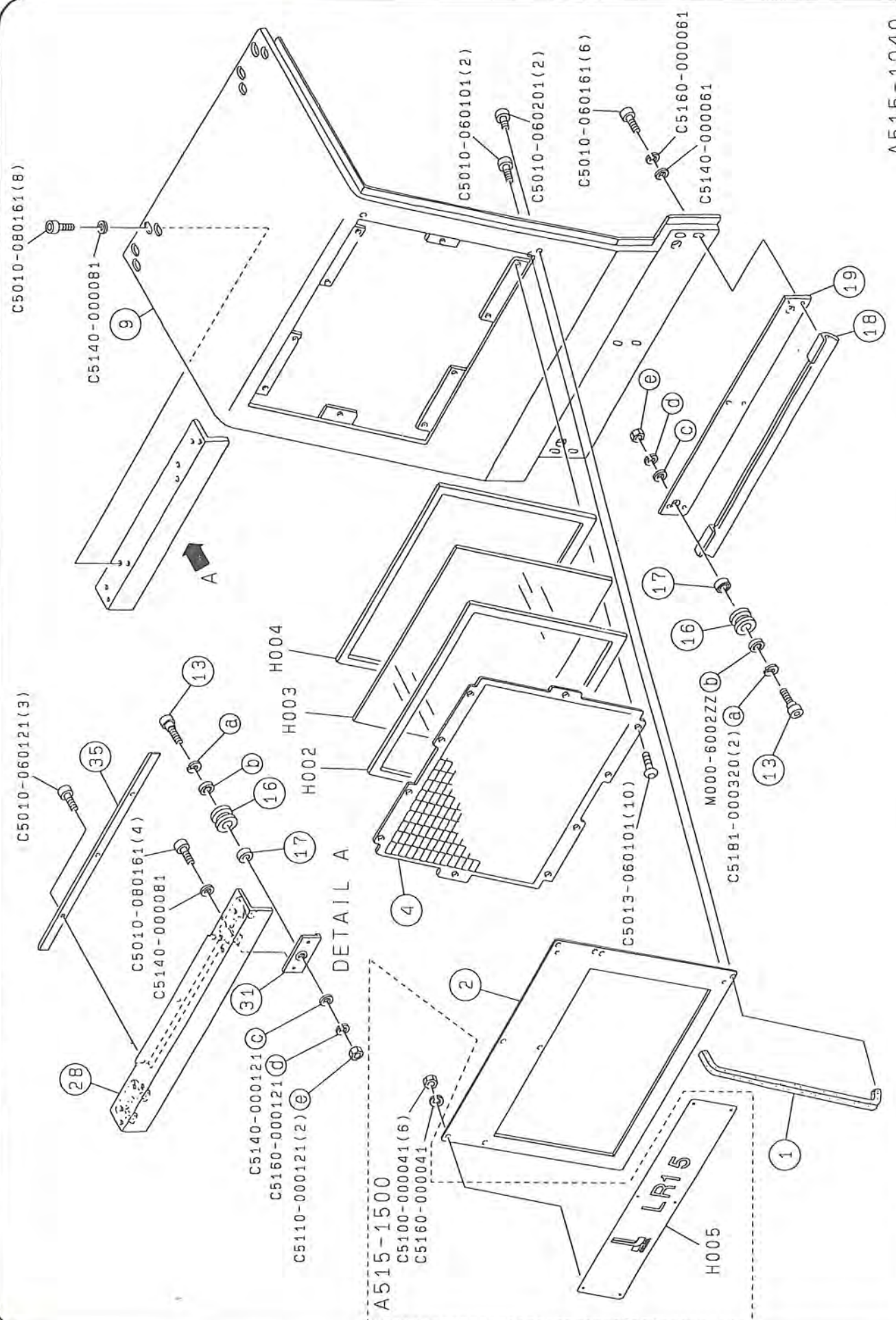
~ CONTENTS ~

SHEET NO.	ASSEMBLY NAME	PAGE
211	SLIDING DOOR (L. H)	332
212	SLIDING DOOR (R. H)	333
213	SIDE COVERS (L. H)	334
214	SIDE COVERS (R. H)	335
215	UPPER RAIL	336
216	PIPING COVERS	337
217	SADDLE COVERS (1)	338
218	SADDLE COVERS (2)	339
218A	SADDLE COVERS (3)	340
219	SADDLE COVERS (4)	341
220	SADDLE COVERS (5)	342
221	LOWER RAIL	343
222	BACK COVERS	344
223	CHIP SHOUTER (BACK)	345
224	COVER (WITH OR)	346
225	AUTO DOOR (STD)	347
226	AUTO DOOR (WITH OR)	348
227	AIR PIPING (AUTO DOOR)	349
I	INDEX NO. LIST	350
P/P	PURCHASE PARTS LIST	351

10

SHEET NO. 211 SLIDING DOOR L. H

9205



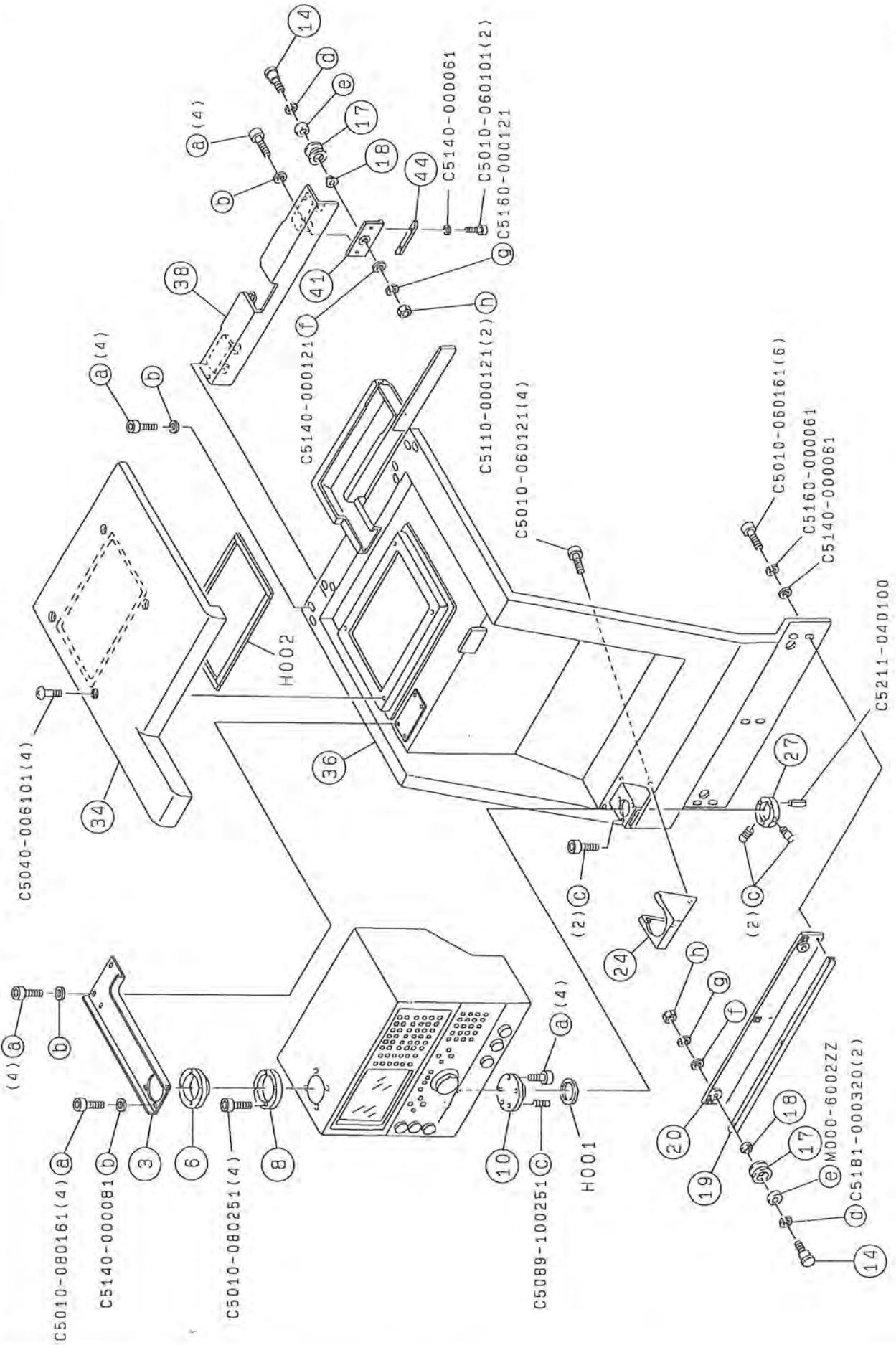
A515-1040

LR1525C/15C211

OKUMA Corporation

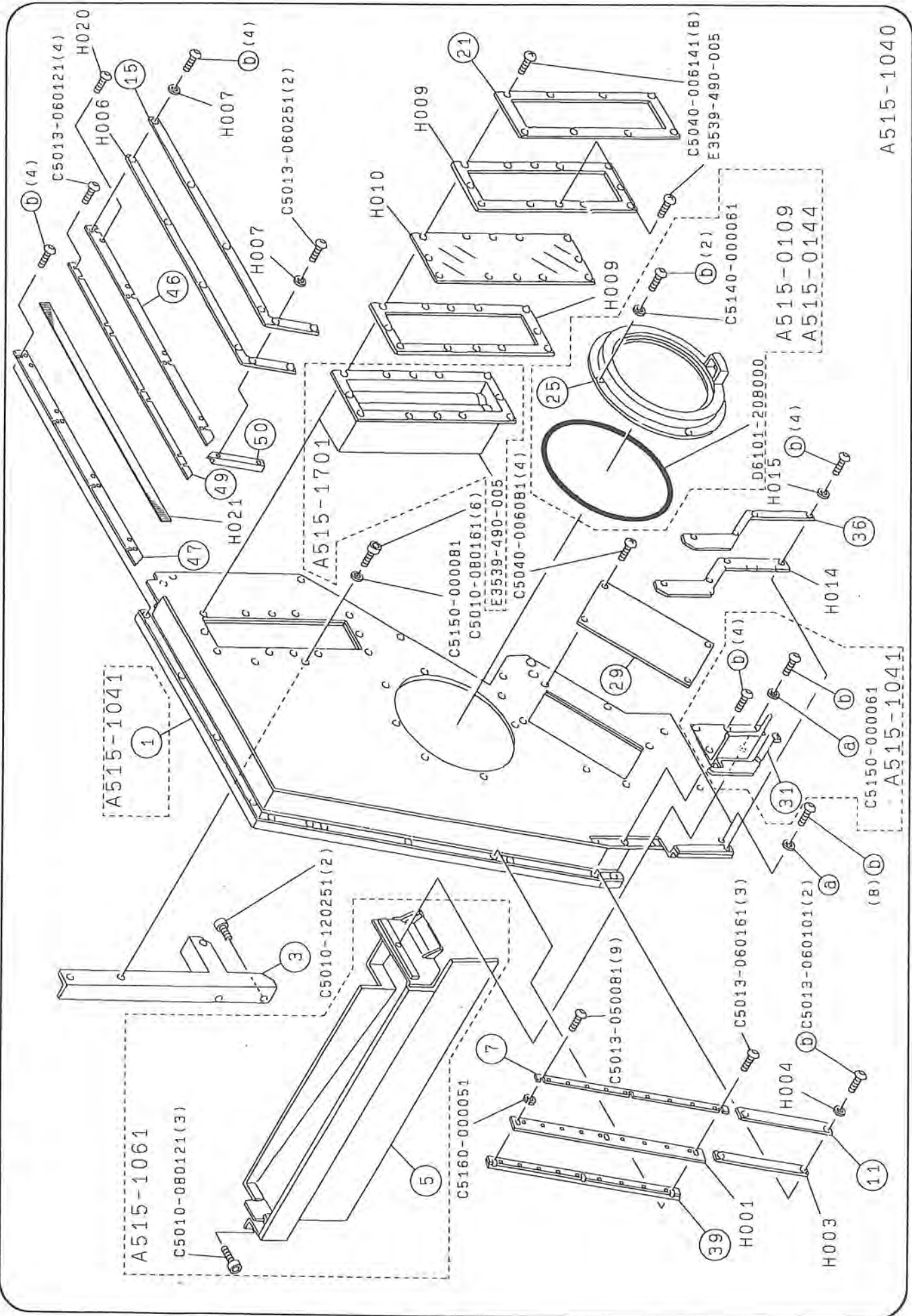
SHEET NO. 212 SLIDING DOOR R. H

9205



SHEET NO. 213 SIDE COVERS L. H

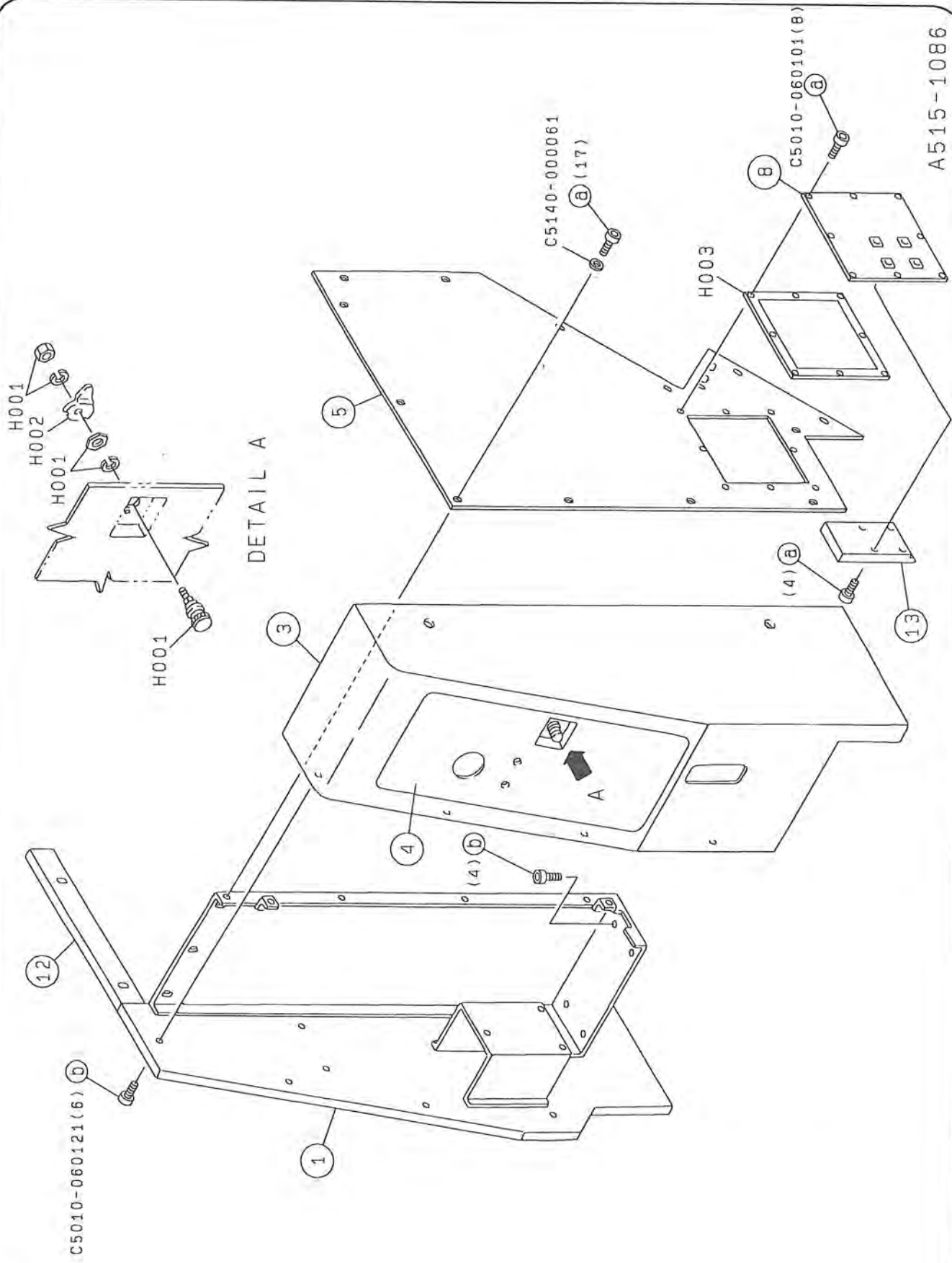
9205



OKUMA Corporation

A515-1040

LR1525C/15C213



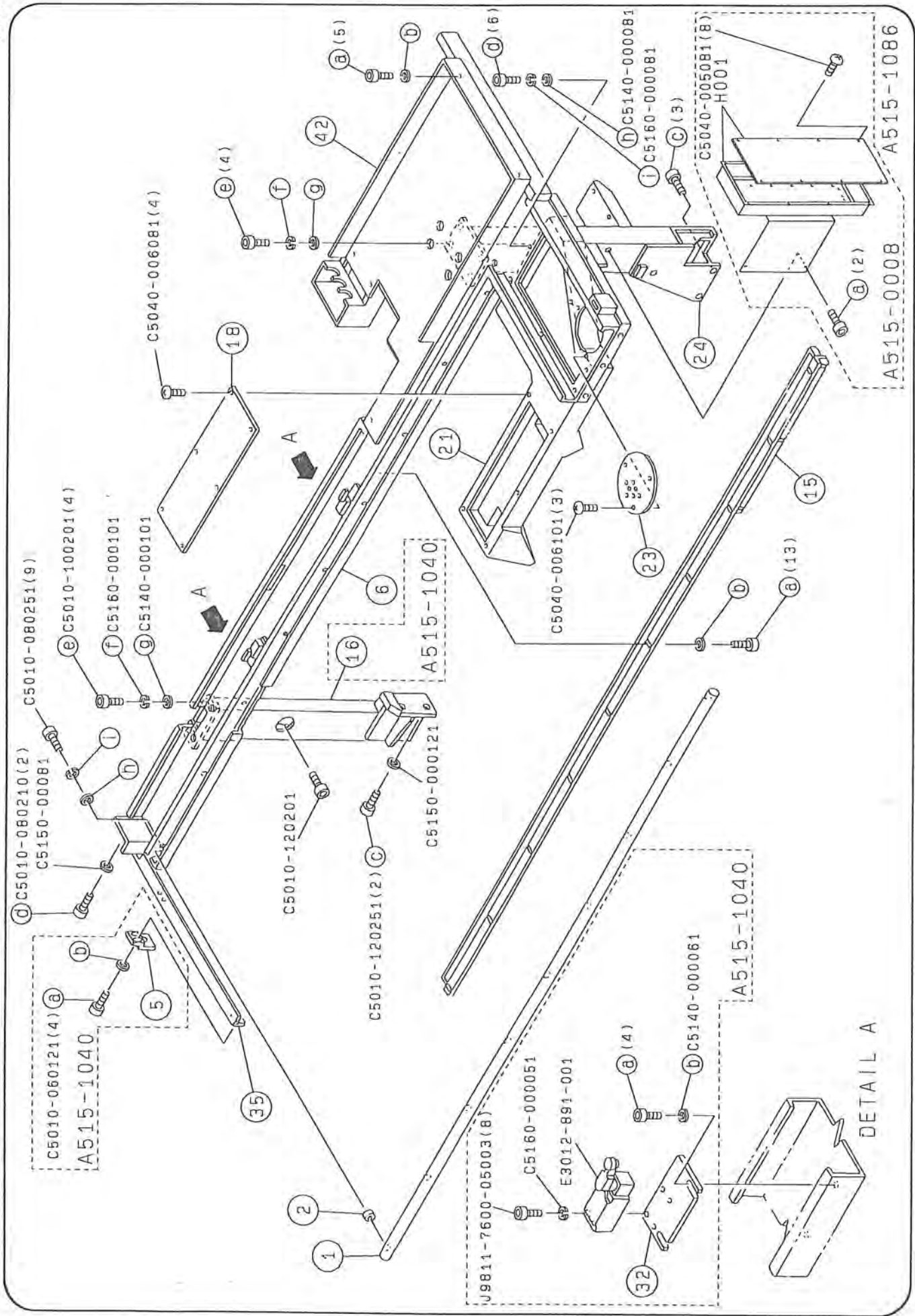
A515-1086

OKUMA Corporation

LR1525C/15C214

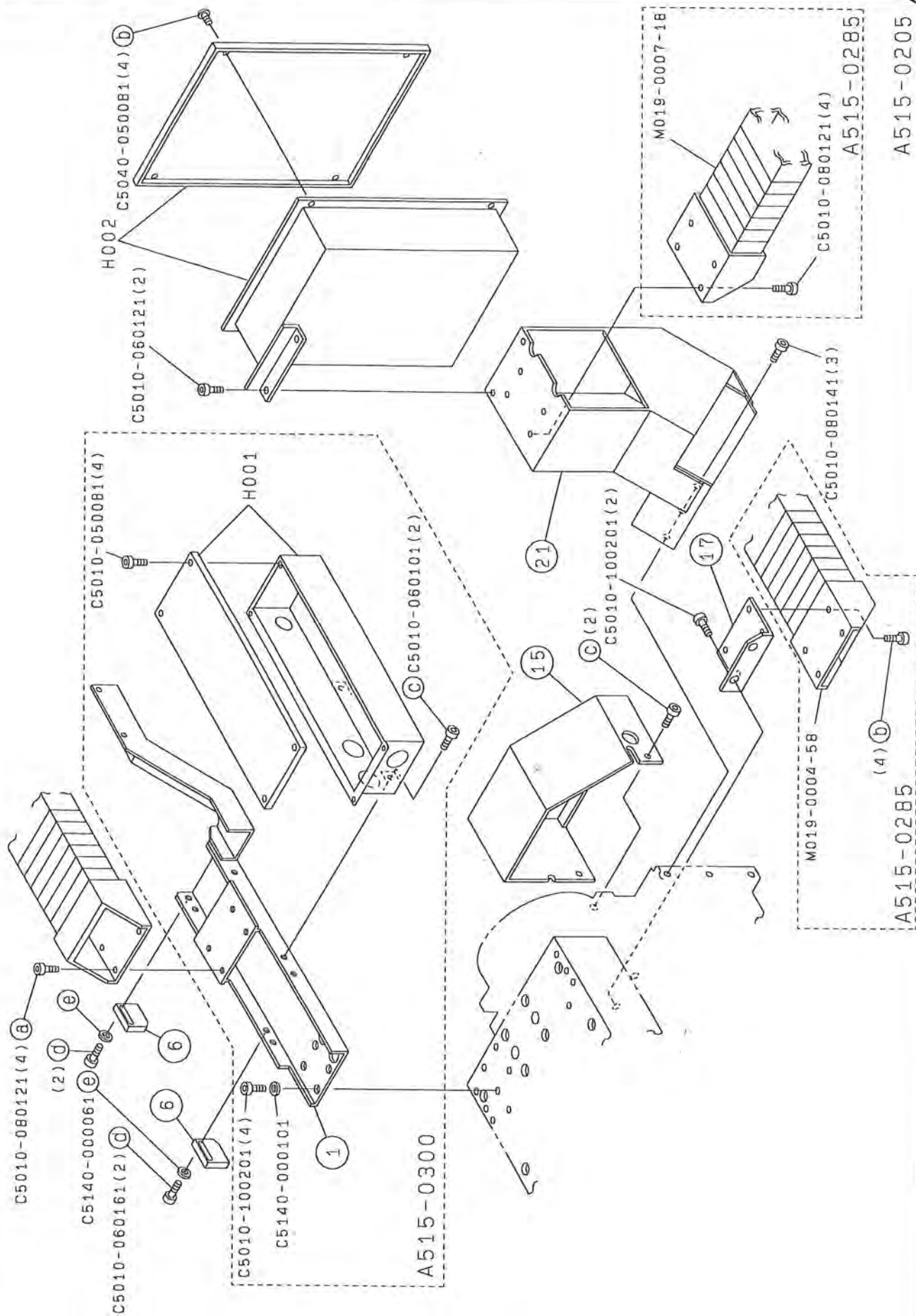
SHEET NO. 215 UPPER RAIL

9205



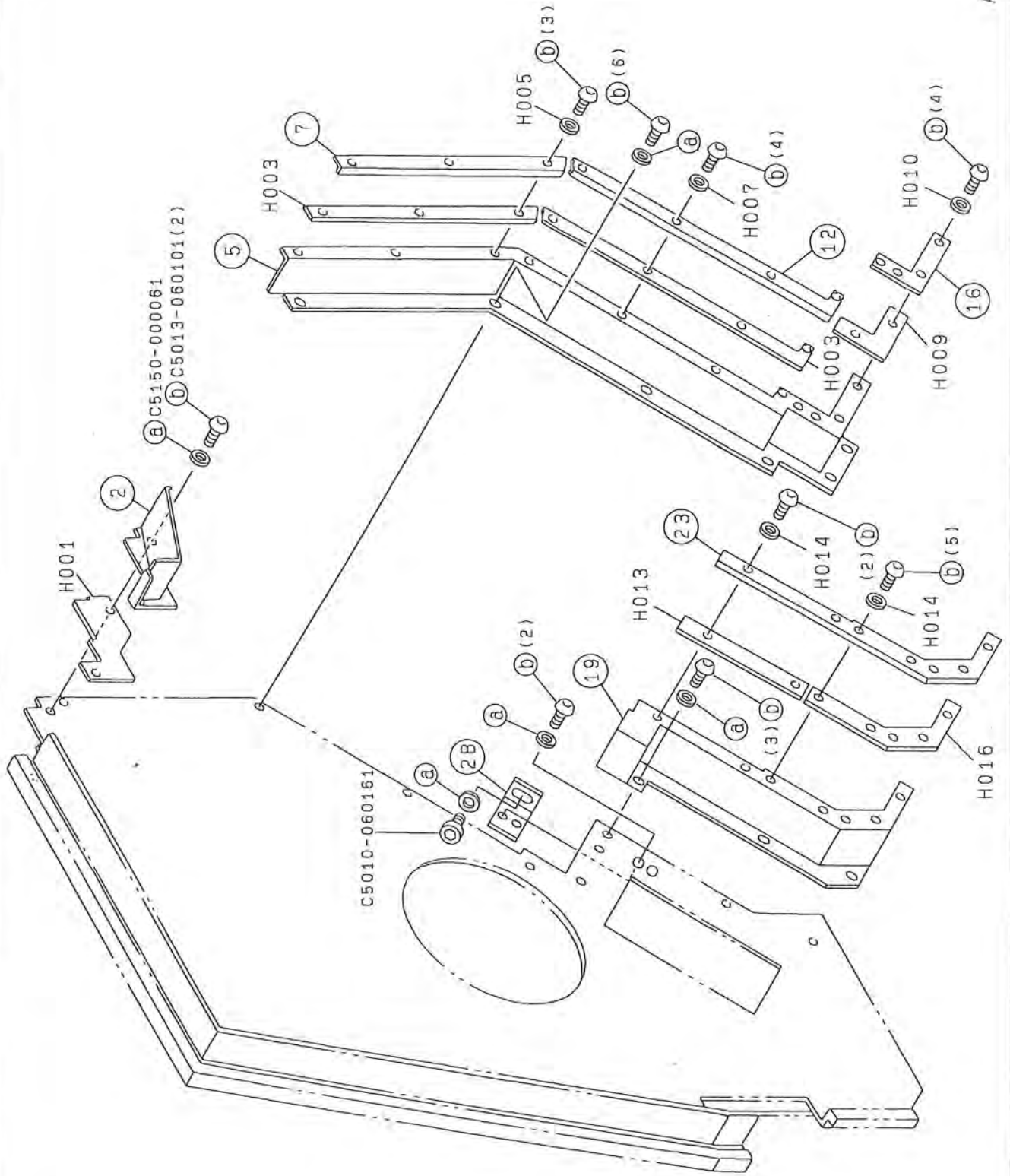
SHEET NO. 216 PIPING COVERS

9205



SHEET NO. 217 SADDLE COVERS (1)

9205



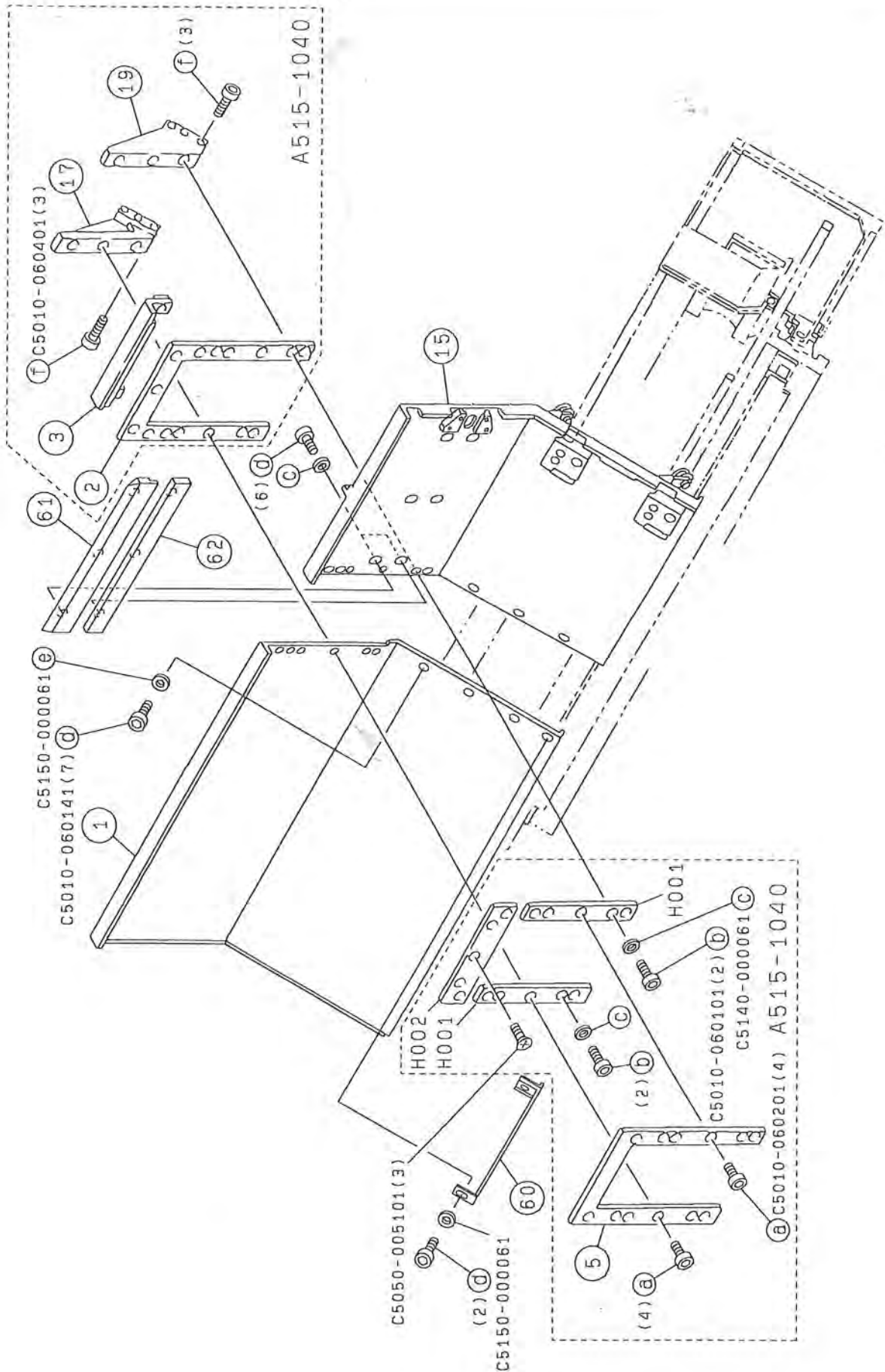
A515-1040

OKUMA Corporation

LR1525C/15C217

SHEET NO. 218 SADDLE COVERS (2)

9205



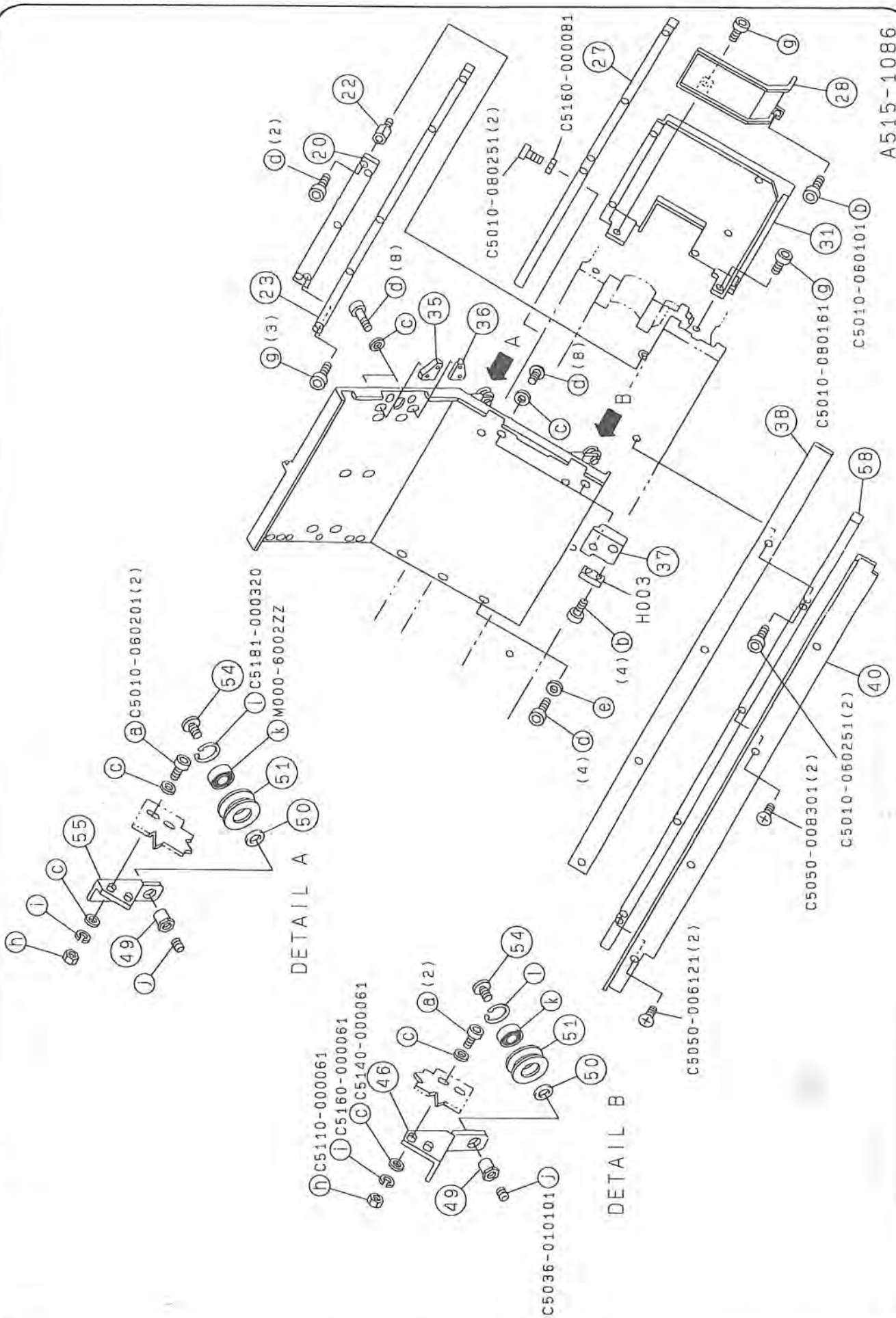
A515-1086

OKUMA Corporation

LR1525C/15C218

SHEET NO. 218A SADDLE COVERS (3)

9205



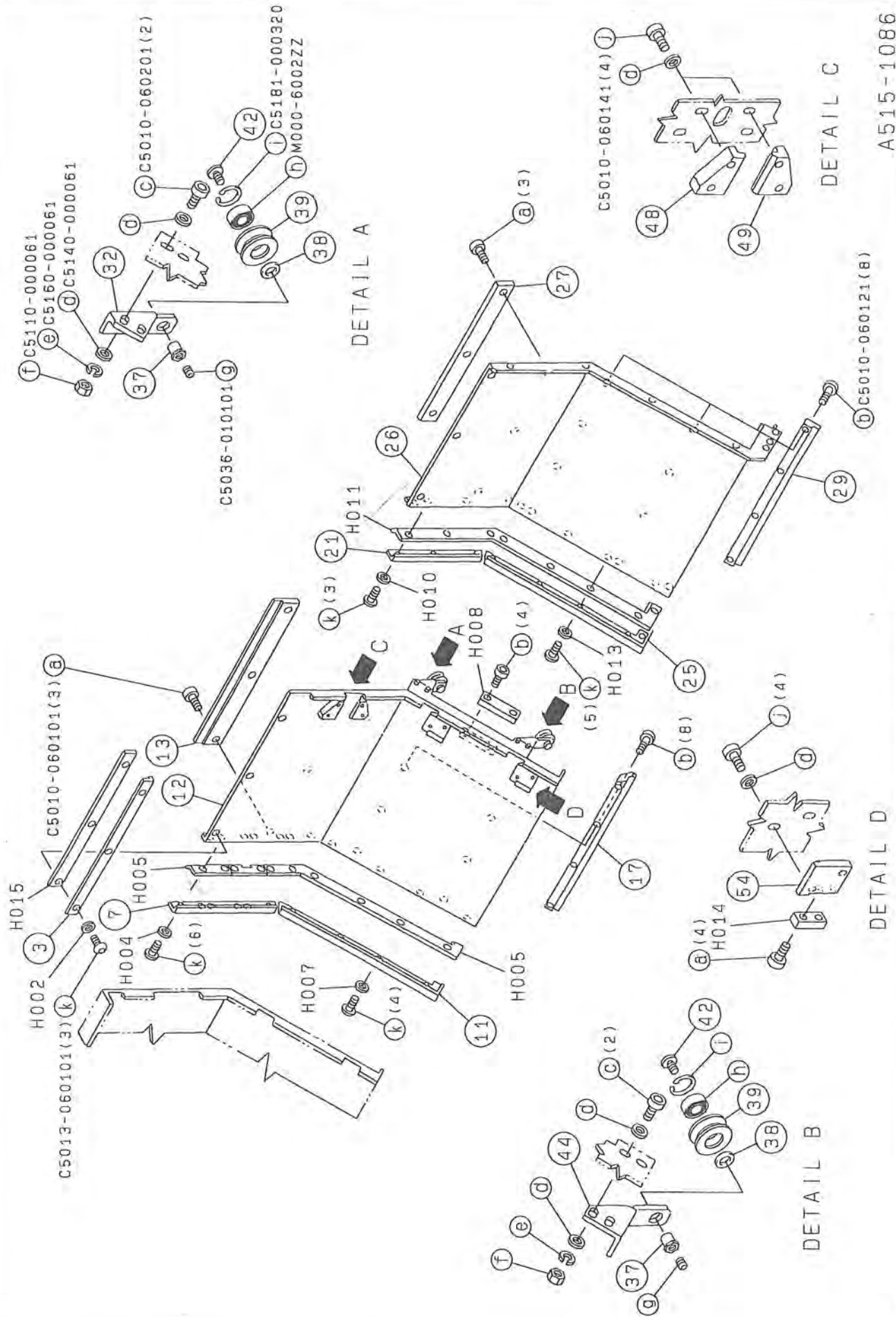
A515-1086

OKUMA Corporation

IR1525C/15C218A

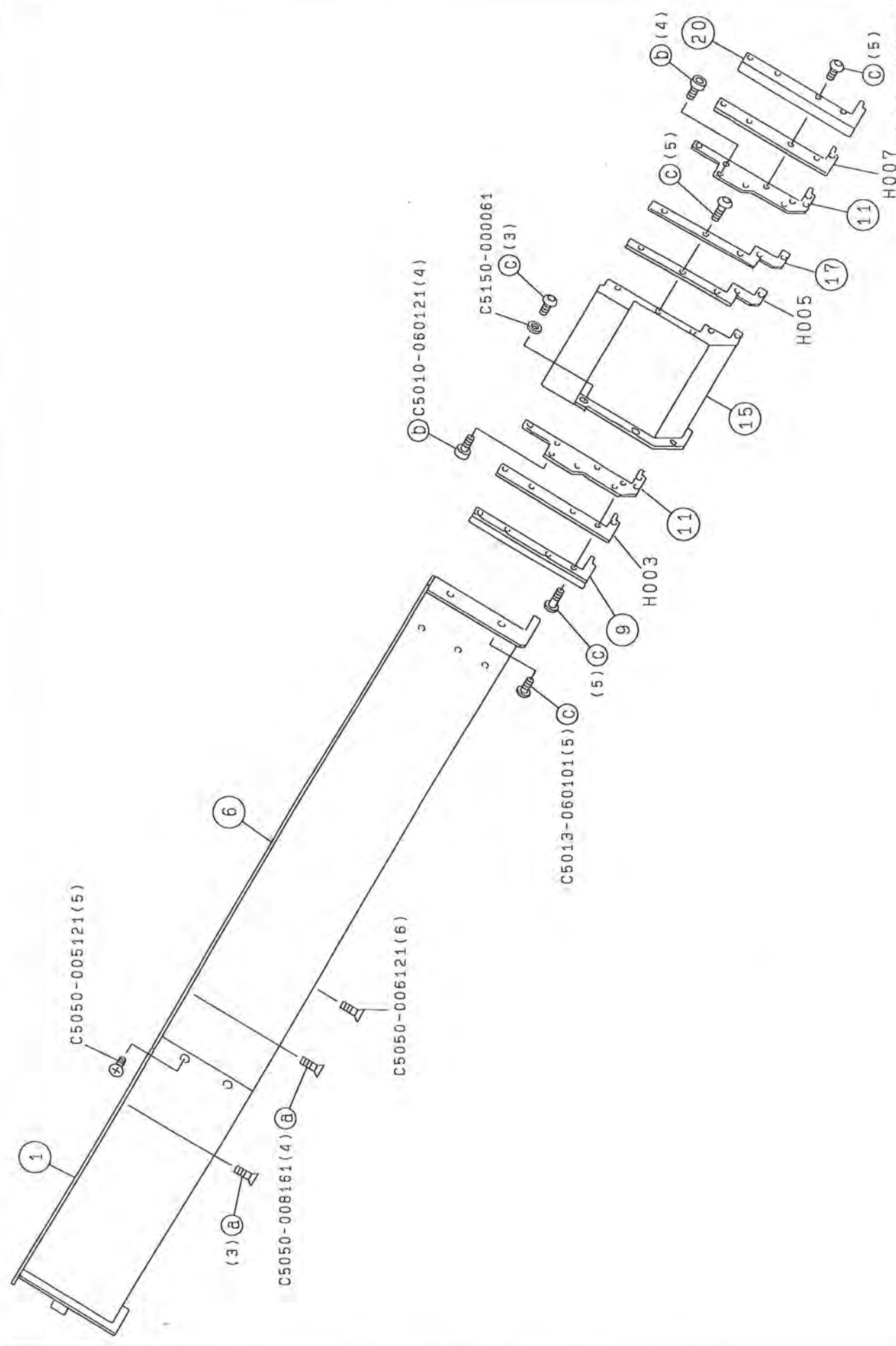
SHEET NO. 219 SADDLE COVERS (4)

9205

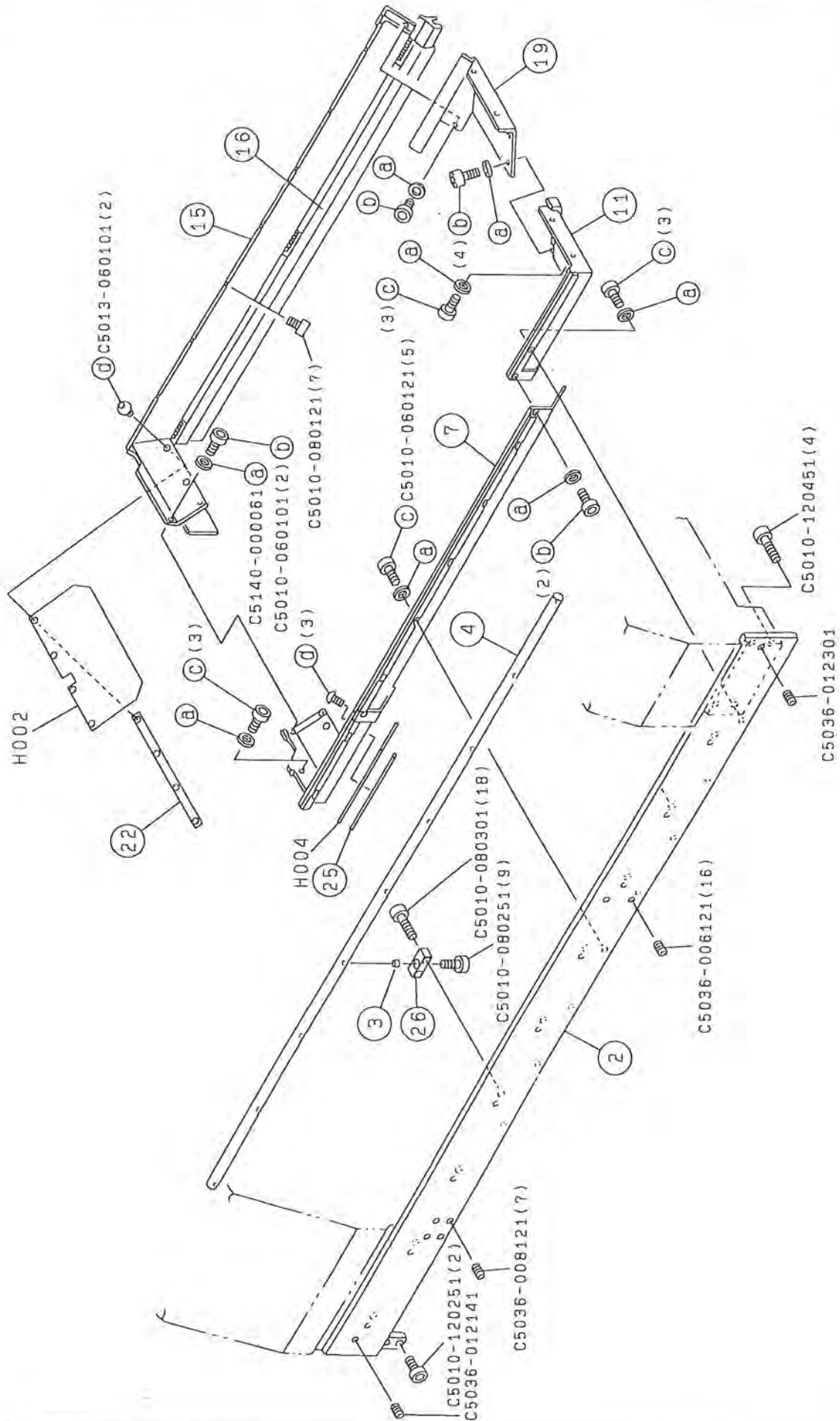


SHEET NO. 220 SADDLE COVERS (5)

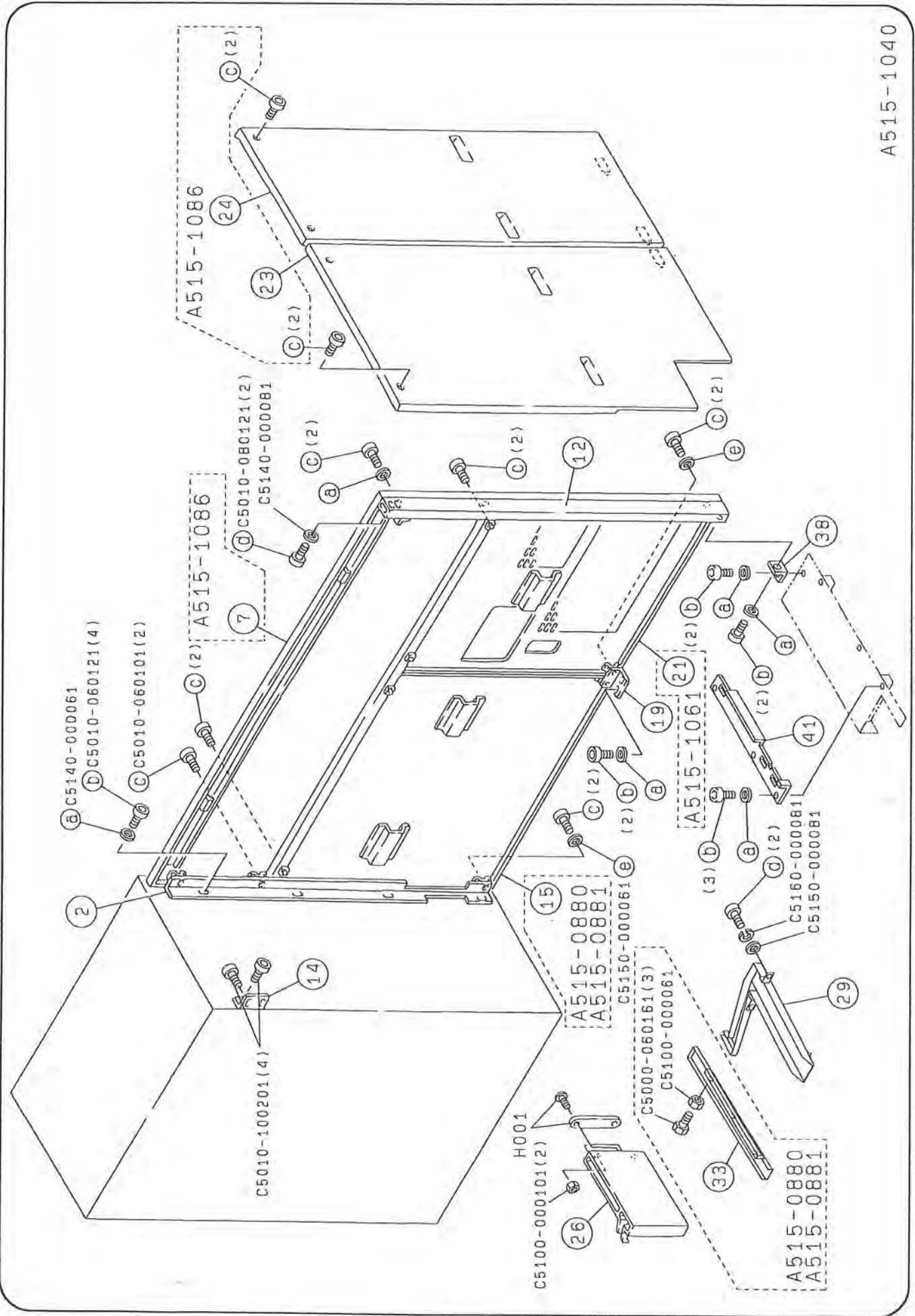
9205



A515-1086

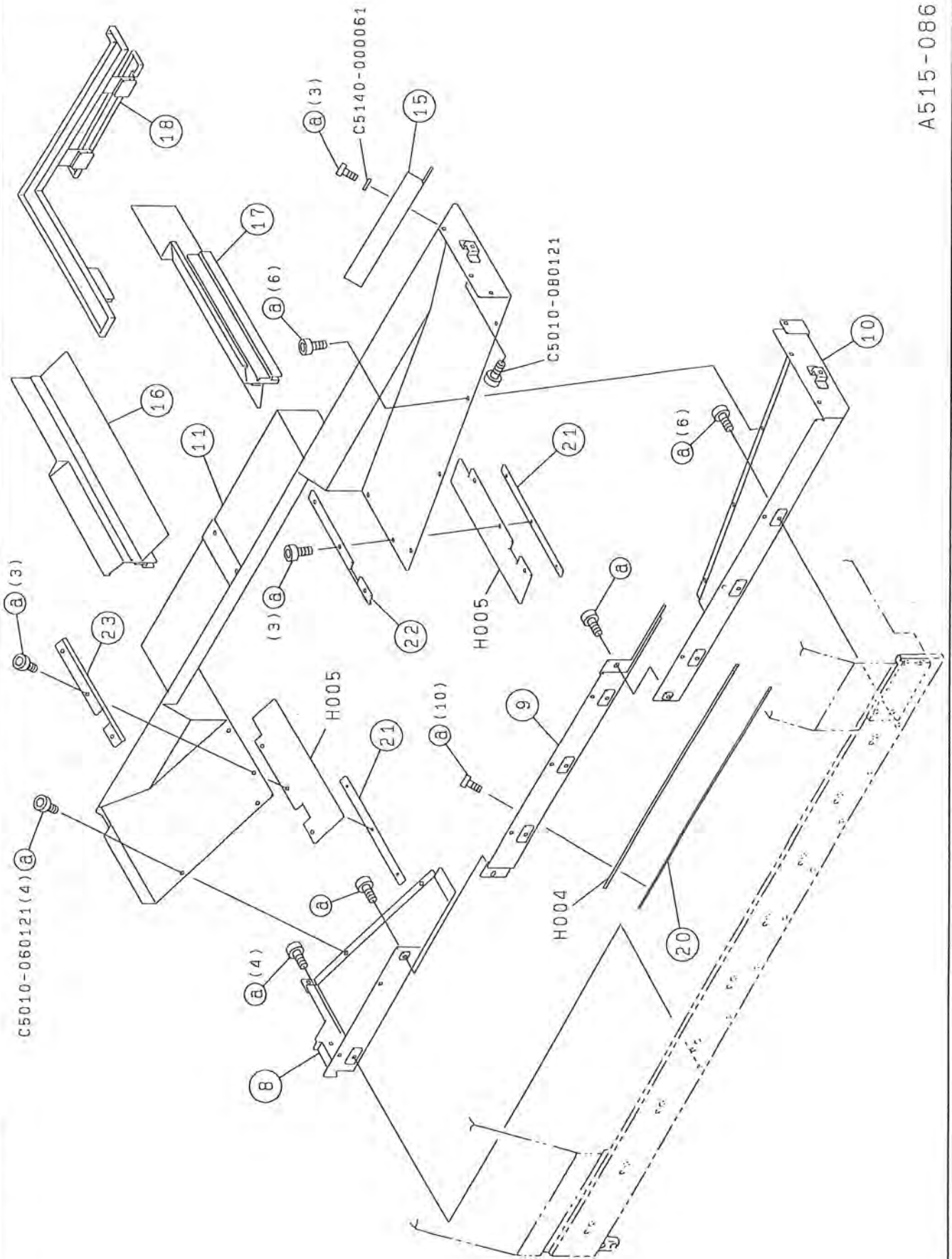


A515-0880
A515-0881



SHEET NO. 223 CHIP SHOULDER (BACK)

9205



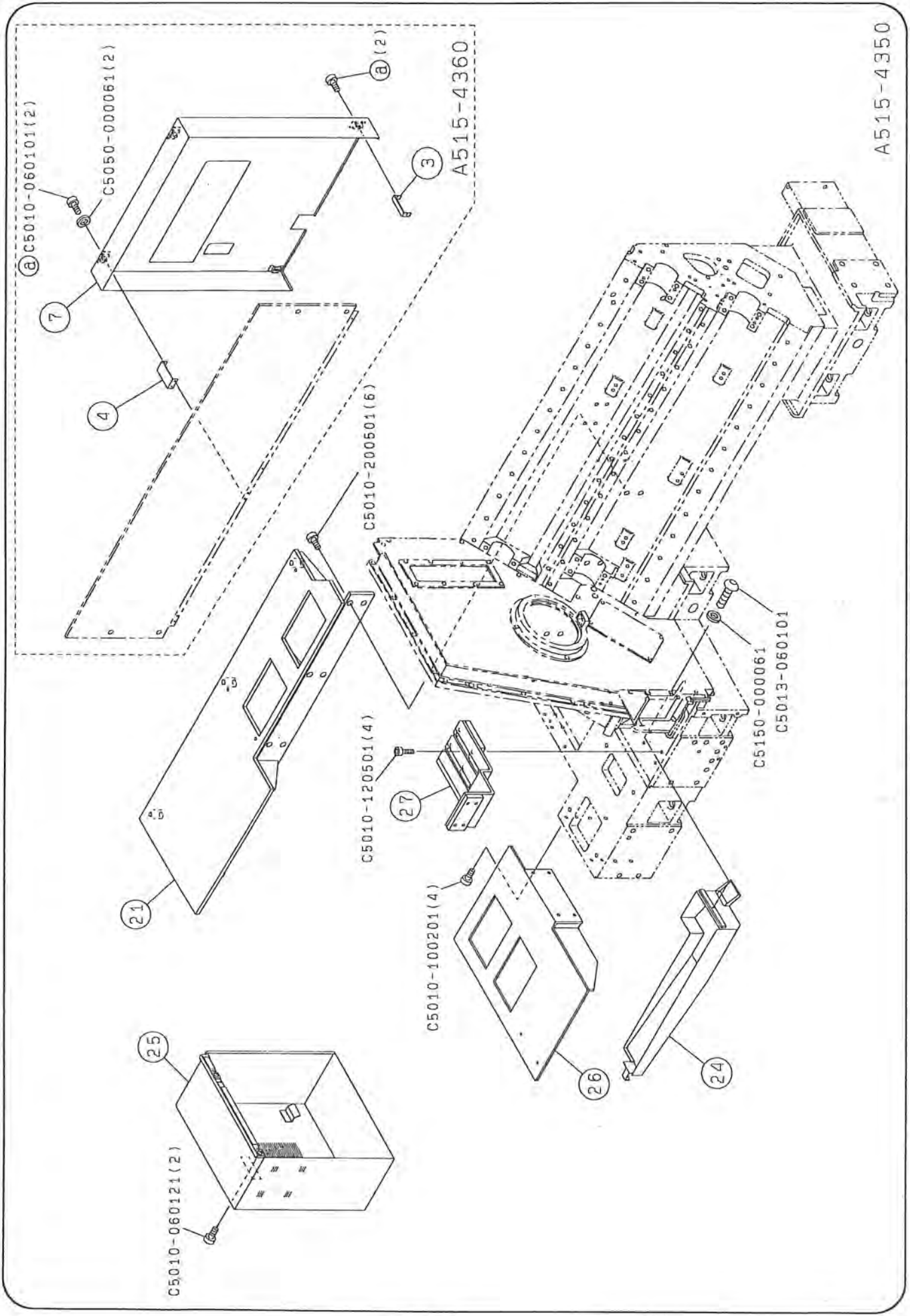
A515-0862

OKUMA Corporation

LR1525C/15C223

SHEET NO. 224 COVER (with OR)

9205



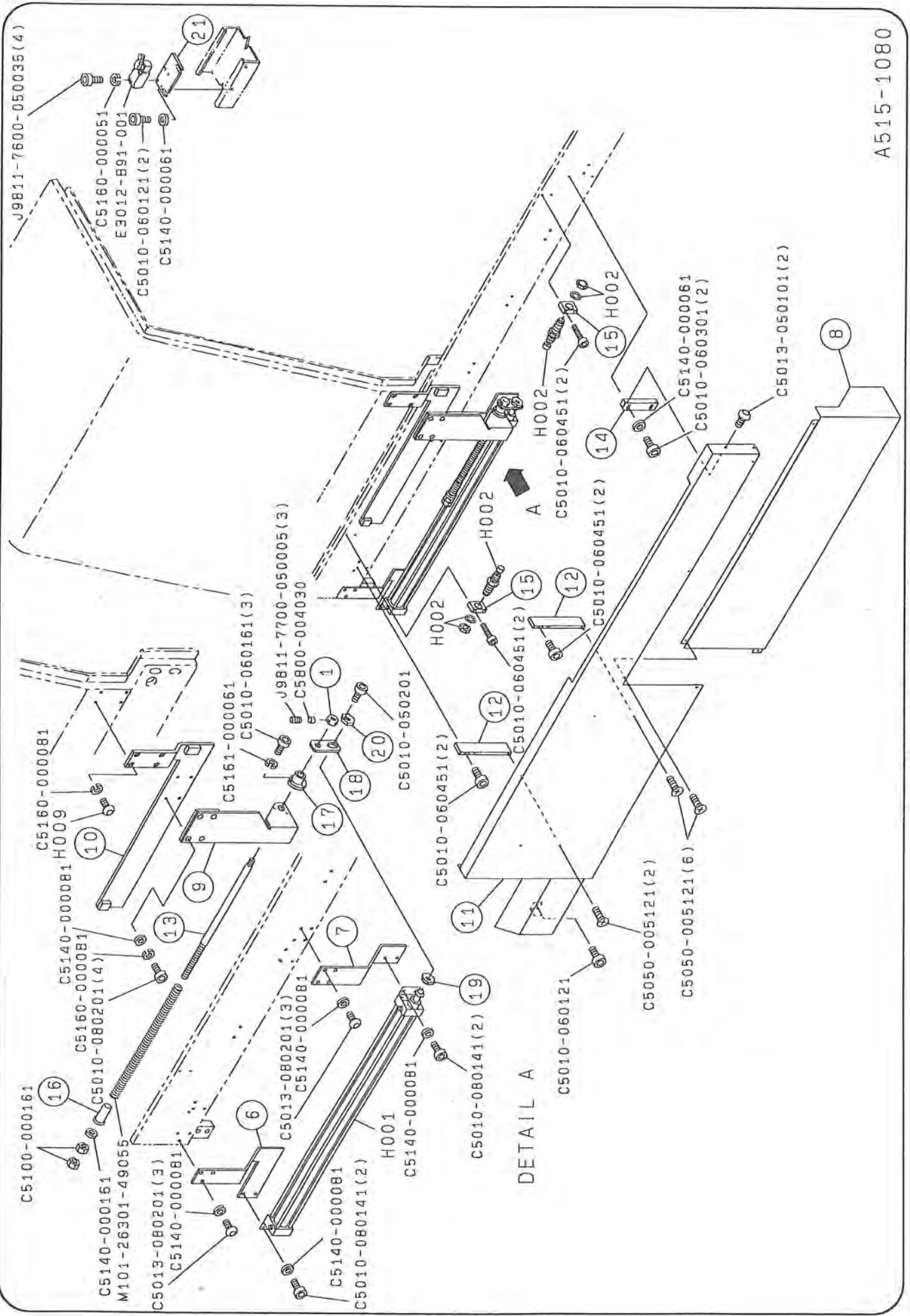
A515-4350

LR1525C/15C224

OKUMA Corporation

SHEET NO. 225 AUTO DOOR (STD)

9205



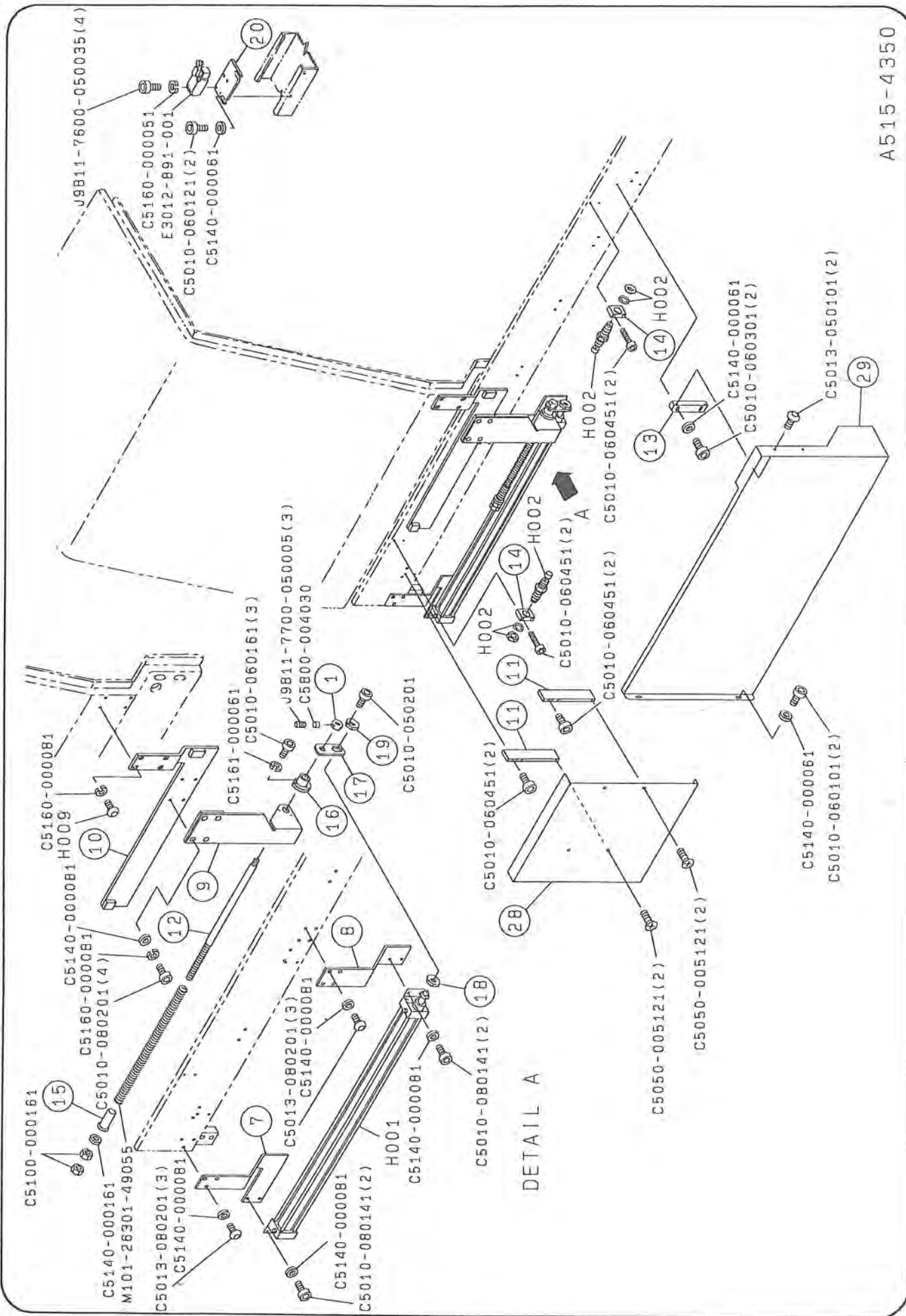
A515-1080

OKUMA Corporation

LR1525C/15C225

SHEET NO. 226 AUTO DOOR (WITH OR)

9205



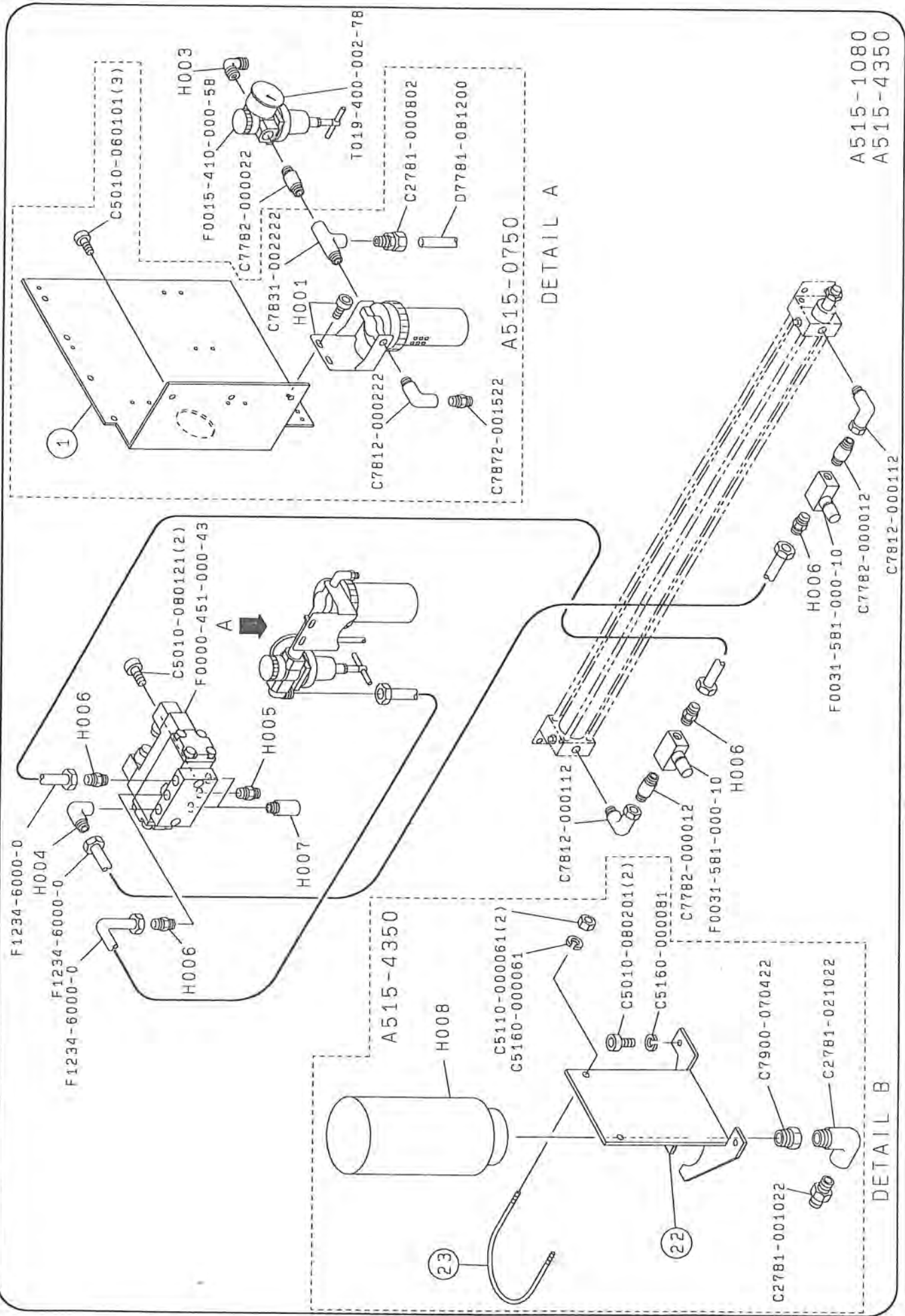
A515-4350

OKUMA Corporation

IR1525C/15C226

SHEET NO. 127 AIR PIPING (AUTO DOOR)

9205



A515-1080
A515-4350

SHEET -ITEM	PART NO.	DESCRIPTION	UNIT NO.	QTY	SHEET -ITEM	PART NO.	DESCRIPTION	UNIT NO.	QTY
211-001	515-1050-56	HANDLE	A515-1040	1	212-041	522-1050-83	SUPPORT	A515-1086	2
211-002	515-1050-59-2	CAP	A515-1040	1	212-044	515-1050-82-01	GUIDE	A515-1086	1
211-004	515-1050-58-2	LATTICE	A515-1040	1	212-H001	H1004-0002-84	WASHER DAIDO WC45 DUN	A515-1086	1
211-009	515-1050-57-4	DOOR	A515-1040	1	212-H002	H1020-1092-91-1	PACKING 304X424X2	A515-1086	1
211-013	522-1001-38-2	SHAFT	A515-1040	4					
211-016	522-1001-41-1	ROLLER	A515-1040	4	213-001	515-1040-03-05	COVER	A515-1041	1
211-017	522-1001-39-1	COLLAR	A515-1040	4	213-003	515-1000-37-4	SUPPORT	A515-1040	1
211-018	515-1050-39-2	PLATE	A515-1040	1	213-005	515-1050-03-5	BOX	A515-1061	1
211-019	515-1050-02-3	PLATE	A515-1040	1	213-007	515-1050-75	PLATE	A515-1040	1
211-028	515-1050-47-03	SUPPORT	A515-1040	1	213-011	515-1050-34	HOLDER	A515-1040	1
211-031	515-1050-83-01	SUPPORT	A515-1040	2	213-015	515-1050-32	HOLDER	A515-1040	1
211-035	515-1106-81	DOG	A515-1040	1	213-021	515-1000-38-1	PLATE	A515-1040	1
211-H002	H1020-1075-68-2	PLATE NBR 513X713 X3	A515-1040	1	213-025	515-0140-24-1	COVER	A515-0144	1
211-H003	H1022-1042-99	PLATE FUKUI 511X7 11X6	A515-1040	1	213-025	515-1050-36-1	COVER (STANDARD)	A515-0109	1
211-H004	H1020-1106-70	PACKING 513X713X1	A515-1040	1	213-029	515-1040-10-01	CAP	A515-1040	1
211-H005	H1040-1047-89	NAMEPLATE	A515-1500	1	213-031	515-1050-31-3	COVER	A515-1041	1
					213-035	515-1050-35-3	HOLDER	A515-1040	1
212-003	515-1050-62	BRACKET	A515-1086	1	213-039	515-1050-74	PLATE	A515-1040	1
212-006	522-1011-29-1	GUIDE	A515-1086	1	213-046	515-1050-88-01	PLATE	A515-1040	1
212-008	522-1011-28	RING	A515-1086	1	213-047	515-1050-86-02	PLATE	A515-1040	1
212-010	522-1011-27	FLANGE	A515-1086	1	213-049	515-1050-87-01	HOLDER	A515-1040	1
212-014	522-1001-38-2	SHAFT	A515-1086	4	213-050	515-1050-89-01	PLATE	A515-1040	1
212-017	522-1001-41-1	ROLLER	A515-1086	4	213-H001	H1020-1107-33	WIPER 38X473X1.5	A515-1040	1
212-018	522-1001-39-1	COLLAR	A515-1086	4	213-H003	H1023-0010-73	SEAL NITTA LR15	A515-1040	1
212-019	515-1060-40-2	PLATE	A515-1086	1	213-H004	H1004-0002-78	WASHER SINATOMO C 5140-00061 6	A515-1040	2
212-020	515-1060-06-3	PLATE	A515-1086	1	213-H006	H1023-0014-06	SEAL NITTA LR15	A515-1040	1
212-024	515-1060-05-1	COVER	A515-1086	1	213-H007	H1004-0002-78	WASHER SINATOMO C 5140-00061 6	A515-1040	6
212-027	522-1011-26-1	FLANGE	A515-1086	1	213-H009	H1020-1075-59	PLATE 141X446X1	A515-1040	2
212-034	515-1060-07-3	COVER	A515-1086	1	213-H010	H1022-1032-61	PLATE 141X446X3	A515-1040	1
212-036	515-1060-04-11	DOOR	A515-1086	1	213-H014	H1020-1121-12-2	WIPER 128.5X417X3	A515-1040	1
212-038	515-1060-50-3	SUPPORT	A515-1086	1	213-H015	H1004-0002-78	WASHER SINATOMO C 5140-00061 6	A515-1040	4

SHEET -ITEM	PART NO.	DESCRIPTION	UNIT NO.	QTY	SHEET -ITEM	PART NO.	DESCRIPTION	UNIT NO.	QTY
213 -H020	H1001-0014-17	SPECIAL BOLT GOSH 0.6X15	A515-1040	4	216 -015	515-0220-08-4	COVER	A515-0205	1
213 -H021	H1090-1006-92	BRUSH	A515-1040	1	216 -017	515-0220-13-2	SUPPORT	A515-0205	1
214 -001	515-1060-28-6	COVER	A515-1086	1	216 -021	515-0240-16-2	DUCT	A515-0205	1
214 -003	515-1060-10-5	COVER	A515-1086	1	216 -H001	H9009-3100-01-5	TERMINAL BOX SPN 90X315	A515-0300	1
214 -004	515-1060-11-3	COVER	A515-1086	1	216 -H002	H9020-2900-06	TERMINAL BOX SPHC 200X290	A515-0205	1
214 -005	515-1090-29-02	COVER	A515-1086	1	217 -002	515-1050-38-1	COVER	A515-1040	1
214 -008	515-1090-30-01	PLATE	A515-1086	1	217 -005	515-1040-04-2	COVER	A515-1040	1
214 -012	515-1060-78	COVER	A515-1086	1	217 -007	515-1050-24-1	PLATE	A515-1040	1
214 -013	515-1090-31	GUIDE	A515-1086	1	217 -012	515-1040-05-1	HOLDER	A515-1040	1
214 -H001	H1061-0000-66	TONGS TAKIGEN A-3	A515-1086	1	217 -016	515-1040-08-1	HOLDER	A515-1040	1
214 -H002	H1009-0000-47	TOGGLE TAKIGEN C- 25-D	A515-1086	1	217 -019	515-1040-06-2	COVER	A515-1040	1
214 -H003	H1020-1129-21-1	PLATE	A515-1086	1	217 -023	515-1040-07-01	HOLDER	A515-1040	1
215 -001	515-1060-24-1	RAIL	A515-1086	1	217 -028	515-1040-09-1	SUPPORT	A515-1040	1
215 -002	522-1011-42	COLLAR	A515-1086	9	217 -H001	H1020-1096-04-1	PACKING 121. 8X183 X3	A515-1040	1
215 -005	522-1001-31-01	SUPPORT	A515-1040	2	217 -H003	H1023-0012-19	SEAL NITTA	A515-1040	1
215 -006	515-1090-16-6	DUCT	A515-1086	1	217 -H005	H1004-0002-78	WASHER SINATOMO C 5140-000061 6	A515-1040	3
215 -015	515-1090-19	GUTTER	A515-1086	1	217 -H007	H1004-0002-78	WASHER SINATOMO C 5140-000061 6	A515-1040	4
215 -016	515-1050-11-6	DUCT	A515-1040	1	217 -H009	H1023-0012-20	SEAL NITTA	A515-1040	1
215 -018	515-1090-25	CAP	A515-1086	1	217 -H010	H1004-0002-78	WASHER SINATOMO C 5140-000061 6	A515-1040	4
215 -021	515-1090-35-01	DUCT	A515-1086	1	217 -H013	H1020-1105-67	PACKING 24. 5X198X 2	A515-1040	1
215 -023	515-1050-42	CAP	A515-1086	1	217 -H014	H1004-0002-78	WASHER SINATOMO C 5140-000061 6	A515-1040	7
215 -024	515-1090-17-2	SUPPORT	A515-1086	1	217 -H016	H1023-0012-21	SEAL NITTA	A515-1040	1
215 -032	515-1600-14	PLATE	A515-1040	2	218 -001	515-1086-07-02	COVER	A515-1086	1
215 -035	515-1050-61	SUPPORT	A515-1086	1	218 -002	515-1000-19-3	PLATE	A515-1040	1
215 -042	515-1090-18-01	SUPPORT	A515-1086	1	218 -003	515-1050-20-02	COVER	A515-1040	1
215 -H001	H9022-6200-04-1	TERMINAL BOX	A515-0008	1	218 -005	515-1000-40-2	PLATE	A515-1040	1
216 -001	515-0220-47	BRACKET	A515-1086	1	218 -015	515-1086-08-04	COVER	A515-1086	1
216 -006	515-0220-11-2	DOG	A515-0205	2	218 -017	515-1050-18	SUPPORT	A515-1040	1
					218 -019	515-1050-19	SUPPORT	A515-1040	1

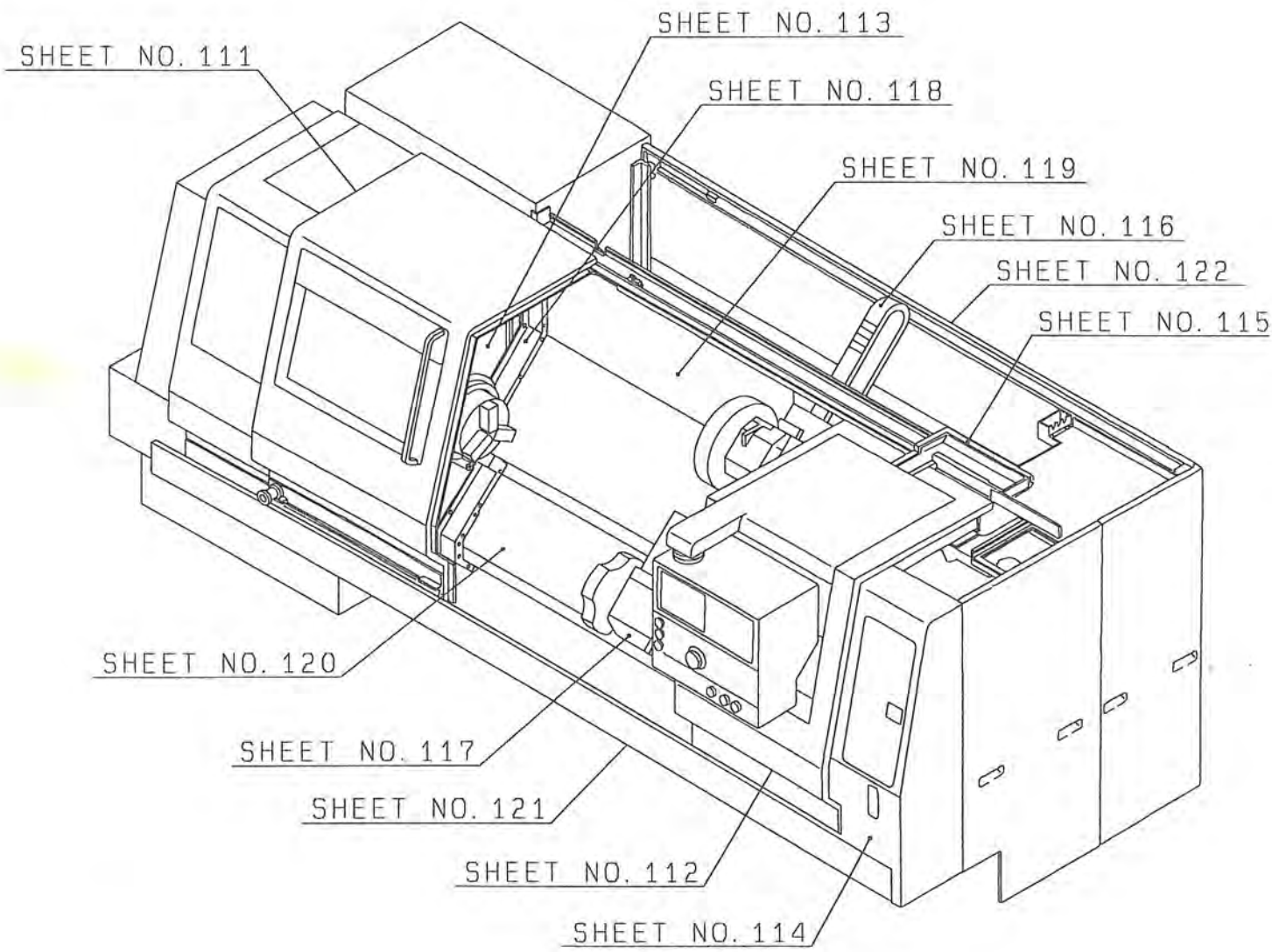
SHEET - ITEM	PART NO.	DESCRIPTION	UNIT NO.	QTY	SHEET - ITEM	PART NO.	DESCRIPTION	UNIT NO.	QTY
218 -060	515-1085-07-02	COVER	A515-1086	1	219 -017	515-1012-76-2	GUIDE	A515-1086	2
218 -061	515-1086-33	GUIDE	A515-1086	1	219 -021	515-1090-10	HOLDER	A515-1086	1
218 -062	515-1086-35	GUIDE	A515-1086	1	219 -025	515-1086-12	HOLDER	A515-1086	1
218 -H001	H1020-1093-14-3	PACKING 29X315X4	A515-1040	2	219 -026	515-1086-10	COVER	A515-1086	1
218 -H002	H1020-1093-15-1	PACKING 40X322X4	A515-1040	1	219 -027	515-1012-74-1	PLATE	A515-1086	1
218A-020	515-1086-29	PLATE	A515-1086	1	219 -029	515-1012-77-2	GUIDE	A515-1086	1
218A-022	515-1086-15-01	BOLT	A515-1086	2	219 -032	515-1090-14	SUPPORT	A515-1086	1
218A-023	515-1086-14	RAIL	A515-1086	1	219 -037	515-1012-79	NUT	A515-1086	2
218A-027	515-1090-12-1	RAIL	A515-1086	1	219 -038	515-1012-81	COLLAR	A515-1086	2
218A-028	515-1086-23-01	COVER	A515-1086	1	219 -039	515-1012-82	ROLLER	A515-1086	2
218A-031	515-1086-24-01	COVER	A515-1086	1	219 -042	515-1012-80	SHAFT	A515-1086	2
218A-035	515-1012-71-1	GUIDE	A515-1086	1	219 -044	515-1086-13	SUPPORT	A515-1086	1
218A-036	515-1012-72-1	GUIDE	A515-1086	1	219 -048	515-1012-71-1	GUIDE	A515-1086	1
218A-037	515-1012-75-1	GUIDE	A515-1086	2	219 -049	515-1012-72-1	GUIDE	A515-1086	1
218A-038	515-1086-21	BLOCK	A515-1086	1	219 -054	515-1012-75-1	GUIDE	A515-1086	2
218A-040	515-1086-22-03	COVER	A515-1086	1	219 -H002	H1004-0002-78	WASHER, polished 6	A515-1086	3
218A-046	515-1086-13	SUPPORT	A515-1086	1	219 -H004	H1004-0002-78	WASHER, polished 6	A515-1086	3
218A-049	515-1012-79	NUT	A515-1086	2	219 -H005	H1023-1033-45	WIPER NITTA 20X84 4X2	A515-1086	1
218A-050	515-1012-81	COLLAR	A515-1086	2	219 -H007	H1004-0002-78	WASHER, polished S HINATOMO	A515-1086	4
218A-051	515-1012-82	ROLLER	A515-1086	2	219 -H008	H1020-1083-05	STOPPER 20X100X10	A515-1086	1
218A-054	515-1012-80	SHAFT	A515-1086	2	219 -H010	H1004-0002-78	WASHER, polished 6	A515-1086	3
218A-055	515-1090-14	SUPPORT	A515-1086	1	219 -H011	H1023-1032-45	WIPER NITTA 20X86 9.8X2	A515-1086	1
218A-058	515-1086-21	BLOCK	A515-1086	1	219 -H013	H1004-0002-78	WASHER, polished S HINATOMO	A515-1086	5
218A-H003	H1020-1090-91	STOPPER 12X45X10	A515-1086	2	219 -H014	H1020-1090-91	STOPPER 12X45X10	A515-1086	2
219 -003	515-1090-15	HOLDER	A515-1086	1	219 -H015	H1020-1122-75	WIPER	A515-1086	1
219 -007	515-1086-36	HOLDER	A515-1086	1	220 -001	515-1086-19-02	COVER	A515-1086	1
219 -011	515-1086-11	HOLDER	A515-1086	1	220 -006	515-1086-20-03	COVER	A515-1086	1
219 -012	515-1086-09-01	COVER	A515-1086	1	220 -009	515-1086-17	HOLDER	A515-1086	1
219 -013	515-1012-73-01	PLATE	A515-1086	1	220 -011	515-1086-16	PLATE	A515-1086	2
					220 -015	515-1086-02-01	COVER	A515-1086	1

SHEET -ITEM	PART NO.	DESCRIPTION	UNIT NO.	QTY	SHEET -ITEM	PART NO.	DESCRIPTION	UNIT NO.	QTY
220 -017	515-1086-03	HOLDER	A515-1086	1	222 -015	515-1060-19-2	COVER	A515-0881	1
220 -020	515-1086-18	HOLDER	A515-1086	1	222 -015	515-1060-19-2	COVER	A515-0880	1
220 -H003	H1023-1032-48	WIPER NITTA 23X40 IX2	A515-1086	1	222 -019	515-1050-44-01	SUPPORT	A515-1050	1
220 -H005	H1020-1116-93	PACKING 115X40IX3	A515-1086	1	222 -021	515-1060-17-2	COVER	A515-1061	1
220 -H007	H1023-1032-47	WIPER NITTA 23X40 IX2	A515-1086	1	222 -023	515-1060-16-4	COVER	A515-1086	1
221 -002	515-1060-26-7	RAIL	A515-1086	1	222 -024	515-1060-48-1	COVER	A515-1086	1
221 -003	522-1011-42	COLLAR	A515-1086	9	222 -026	515-1002-80	TANK	A515-1040	1
221 -004	515-1060-25-1	RAIL	A515-1086	1	222 -029	515-1002-79-3	GUTTER	A515-1040	1
221 -007	515-0910-10-3	GUIDE	A515-0881	1	222 -033	515-1002-81-3	GUTTER	A515-0881	1
221 -007	515-0910-10-3	GUIDE	A515-0880	1	222 -033	515-1002-81-3	GUTTER	A515-0880	1
221 -011	515-0900-20-03	GUIDE	A515-0880	1	222 -038	522-1011-46	SUPPORT	A515-1040	1
221 -015	515-0910-43	GUIDE	A515-0880	1	222 -041	515-1050-16-3	SUPPORT	A515-1040	1
221 -015	515-0910-43	GUIDE	A515-0881	1	222 -H001	H0039-0002-42	GAUGE. oil KOHO AP I 150	A515-1040	1
221 -016	515-0910-08	COVER	A515-0881	1	223 -008	515-0860-08-2	GUIDE	A515-0862	1
221 -016	515-0910-08	COVER	A515-0880	1	223 -009	515-0860-09-01	GUIDE	A515-0862	1
221 -019	515-0910-21-01	GUIDE	A515-0880	1	223 -010	515-0860-10-01	GUIDE	A515-0862	1
221 -019	515-0910-21-01	GUIDE	A515-0881	1	223 -011	515-0860-11-3	GUIDE	A515-0862	1
221 -022	515-1012-25	PLATE	A515-0881	1	223 -015	515-0870-11-2	COVER	A515-0873	1
221 -022	515-1012-25	PLATE	A515-0880	1	223 -016	515-0860-18-2	COVER	A515-0862	1
221 -025	515-1012-26	PLATE	A515-0880	1	223 -017	515-0860-19-3	COVER	A515-0862	1
221 -025	515-1012-26	PLATE	A515-0881	1	223 -018	515-0860-22-1	GUTTER	A515-0862	1
221 -026	515-1060-51	BLOCK	A515-1086	9	223 -020	515-0860-67	PLATE	A515-0862	1
221 -H002	H1020-1100-80	PLATE 200X45X4	A515-0881	2	223 -021	515-0860-68	PLATE	A515-0862	2
221 -H004	H1020-1087-10	PLATE	A515-0881	2	223 -022	515-0860-69	PLATE	A515-0862	1
222 -002	515-1050-15-4	SUPPORT	A515-1040	1	223 -023	515-0860-70	PLATE	A515-0862	1
222 -007	515-1060-18-2	COVER	A515-1086	1	223 -H004	H1020-1126-06	PLATE	A515-0862	1
222 -012	515-1060-21-2	SUPPORT	A515-1040	1	223 -H005	H1020-1126-07-1	PLATE	A515-0862	2
222 -014	515-1050-43-2	SUPPORT	A515-1040	1	224 -003	515-1050-45-01	SUPPORT	A515-4360	1
					224 -004	515-1050-46	SUPPORT	A515-4360	1

SHEET -ITEM	PART NO.	DESCRIPTION	UNIT NO.	QTY	SHEET -ITEM	PART NO.	DESCRIPTION	UNIT NO.	QTY
224 -007	515-1060-49-01	COVER	A515-4360	1	226 -009	515-1080-04-2	SUPPORT	A515-4350	1
224 -021	515-1700-01-3	SUPPORT	A515-4350	1	226 -010	515-1080-05-1	SUPPORT	A515-4350	1
224 -024	515-4350-01-3	GUTTER	A515-4350	1	226 -011	515-1080-07-2	SUPPORT	A515-4350	2
224 -025	515-4350-02	COVER	A515-4350	1	226 -012	515-1101-70-3	SHAFT	A515-4350	1
224 -026	515-4350-03-1	SUPPORT	A515-4350	1	226 -013	515-1101-76	PLATE	A515-4350	1
224 -027	515-4350-04-1	SUPPORT	A515-4350	1	226 -014	515-1101-77	SUPPORT	A515-4350	2
225 -001	127-0709-59	NUT	A515-1080	1	226 -015	515-1102-59	COLLAR	A515-4350	1
225 -006	515-1080-01-1	SUPPORT	A515-1080	1	226 -016	515-1102-60-1	SUPPORT	A515-4350	1
225 -007	515-1080-02	SUPPORT	A515-1080	1	226 -017	515-1102-61-4	PLATE	A515-4350	1
225 -008	515-1080-03	COVER	A515-1080	1	226 -018	515-1102-69-1	NUT	A515-4350	1
225 -009	515-1080-04-2	SUPPORT	A515-1080	1	226 -019	515-1102-70-2	NUT	A515-4350	1
225 -010	515-1080-05-1	SUPPORT	A515-1080	1	226 -020	515-1600-14	PLATE	A515-4350	1
225 -011	515-1080-06-1	COVER	A515-1080	1	226 -028	515-4350-05	COVER	A515-4350	1
225 -012	515-1080-07-2	SUPPORT	A515-1080	2	226 -029	515-4350-06-1	COVER	A515-4350	1
225 -013	515-1101-70-3	SHAFT	A515-1080	1	226 -H001	H0002-0009-54	AIR CLINDER CKD	A515-4350	1
225 -014	515-1101-76	PLATE	A515-1080	1	226 -H002	H0009-0000-47	SHOCK KILLER CKD	A515-4350	2
225 -015	515-1101-77	SUPPORT	A515-1080	1	226 -H009	H1001-0015-67	SPECIAL BOLT GOSH	A515-4350	4
225 -016	515-1102-59	COLLAR	A515-1080	1	227 -001	515-0750-28-5	SUPPORT	A515-0750	1
225 -017	515-1102-60-1	SUPPORT	A515-1080	1	227 -022	515-4300-38	SUPPORT	A515-4350	1
225 -018	515-1102-61-4	PLATE	A515-1080	1	227 -023	515-4300-39	RETAINER	A515-4350	1
225 -019	515-1102-69-1	NUT	A515-1080	1	227 -H001	H0032-0002-16	AIR FILTER CKD	A515-0750	1
225 -020	515-1102-70-2	NUT	A515-1080	1	227 -H003	H0010-0000-16	ELBOW NITTA	A515-4350	2
225 -021	515-1600-14	PLATE	A515-1080	1	227 -H004	H0010-0000-17	CONNECTOR NITTA	A515-4350	4
225 -H001	H0002-0009-54	AIR CLINDER CKD	A515-1080	1	227 -H005	H0010-0000-18	CONNECTOR NITTA	A515-4350	6
225 -H002	H0009-0000-47	SHOCK KILLER CKD	A515-1080	2	227 -H006	H0010-0000-19	CONNECTOR NITTA	A515-4350	8
225 -H009	H1001-0015-67	SPECIAL BOLT GOSH	A515-1080	4	227 -H007	H0036-0000-42	SILENCER CKD	A515-4350	4
226 -001	127-0709-59	NUT	A515-4350	1	227 -H008	H0030-0000-67	ACCUMULATOR	A515-4350	1
226 -007	515-1080-01-1	SUPPORT	A515-4350	1					
226 -008	515-1080-02	SUPPORT	A515-4350	1					

PURCHASE PARTS LIST

PARTS NO.	DESCRIPTION	PARTS NO.	DESCRIPTION
E3012-891-001	L. S. YAMATAKE ILS1-J		
E3539-490-005	WORK LIGHT NISSIN SR4285		
F0000-451-000-43	SOL. D CKD 4F440-10-DC24V		
F0015-410-000-58	REGULATOR CKD A2000-3C		
F0031-581-000-10	SPEED CONTROL VALVE CKD		
F1234-6000-0	TUBE NITTA N2-1-3/8 L6000 BLACK		
M000-6002ZZ	BALL BEARING 6002ZZ		
M019-0004-58	HOSE KINJYO		
M019-0007-18	HOSE, flexible KINJYO F126S-1X11		
M101-25301-49055	SPRING 2. 6X30. 1X490X55		
M109-1031-41-1	PLATE SUP3		
T019-400-002-78	GAUGE, pressure SMC G46-10-02-X7		



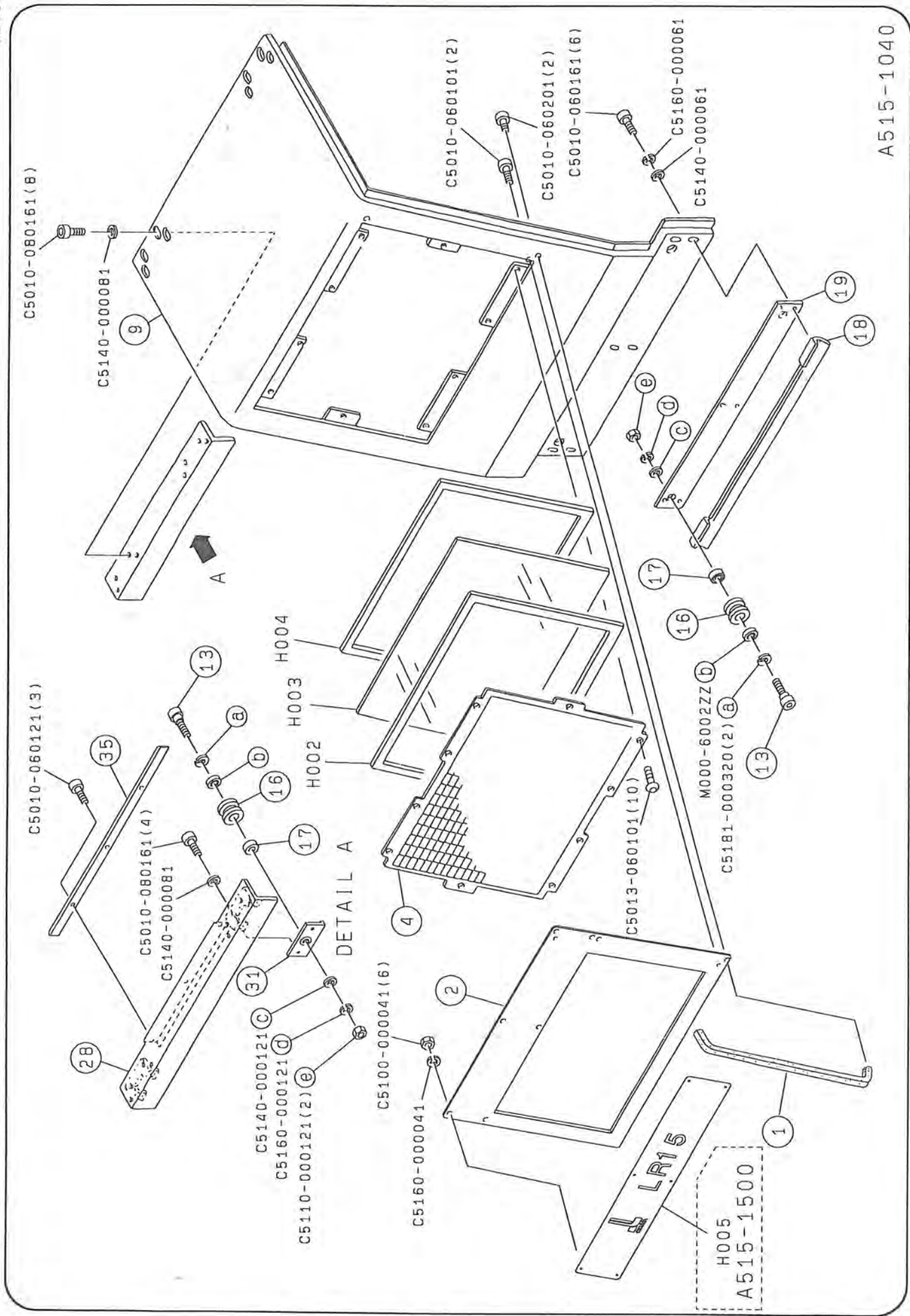
(11) COVER GROUP (2SC 600)

~ CONTENTS ~

SHEET NO.	ASSEMBLY NAME	PAGE
111	SLIDING DOOR (L. H)	372
112	SLIDING DOOR (R. H)	373
113	SIDE COVERS (L. H)	374
114	SIDE COVERS (R. H)	375
115	UPPER RAIL	376
116	PIPING COVERS	377
117	LOWER SADDLE COVERS	378
118	SADDLE COVERS (1)	379
119	SADDLE COVERS (2)	380
120	SADDLE COVERS (3)	381
121	LOWER RAIL	382
122	BACK COVERS	383
123	CHIP SHOUTER (BACK)	384
124	COVER (WITH OR)	385
125	AUTO DOOR (STD)	386
126	AUTO DOOR (WITH OR)	387
127	AIR PIPING (AUTO DOOR)	388
I	INDEX NO. LIST	389
P/P	PURCHASE PARTS LIST	390

SHEET NO. 111 SLIDING DOOR L. H

9205



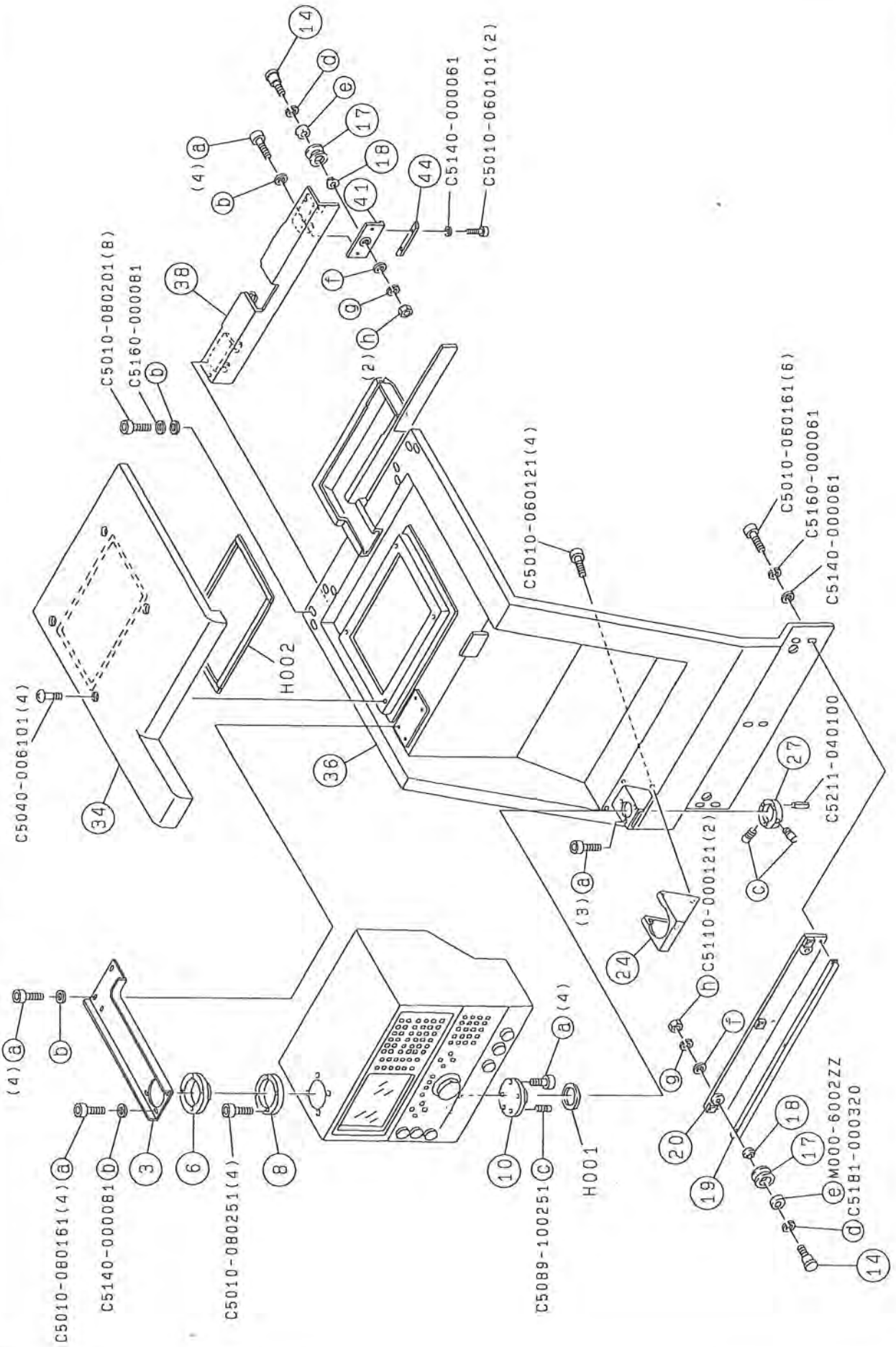
A515-1040

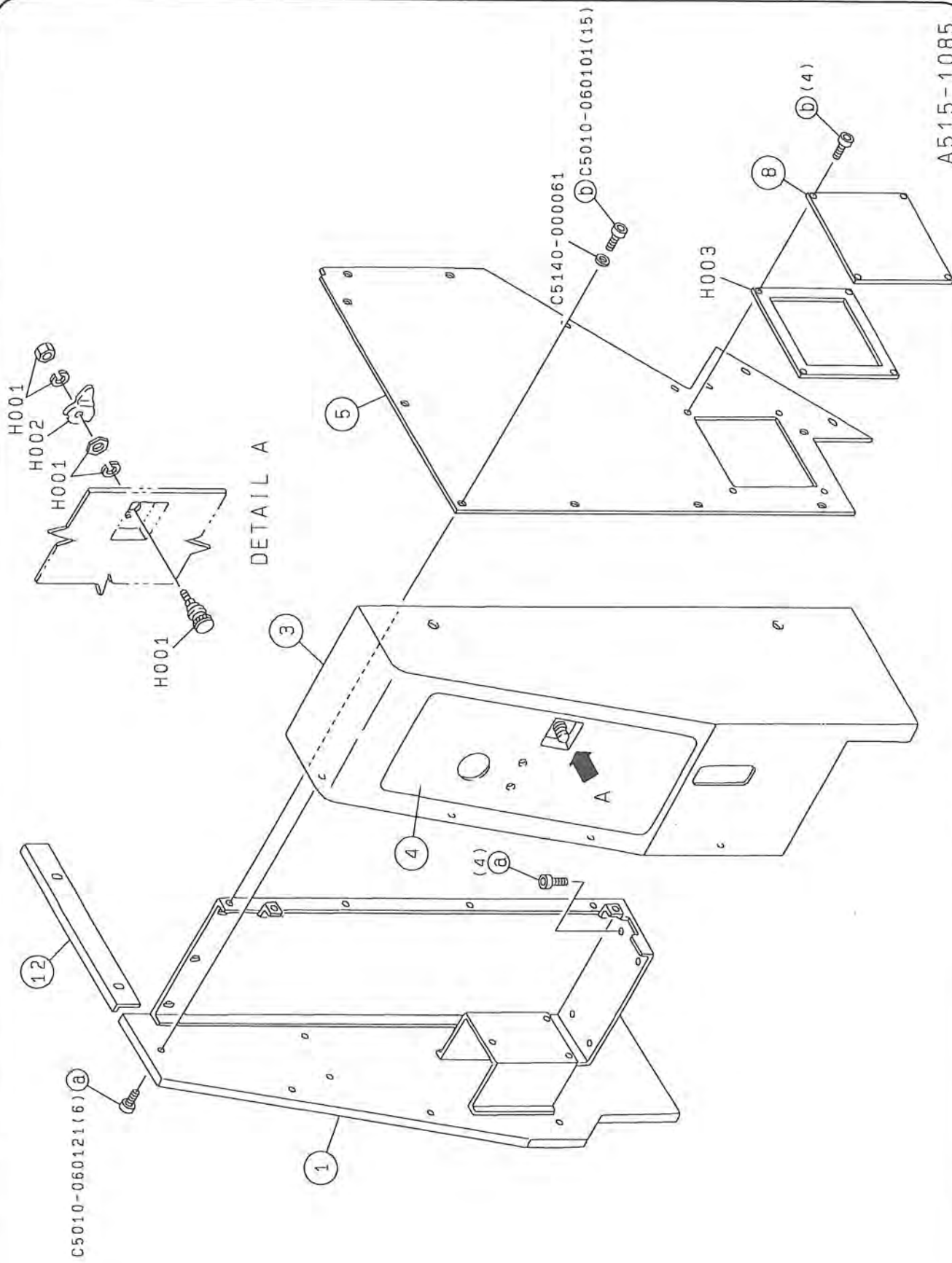
OKIMA Corporation

LD15250/150111

SHEET NO. 112 SLIDING DOOR R.H

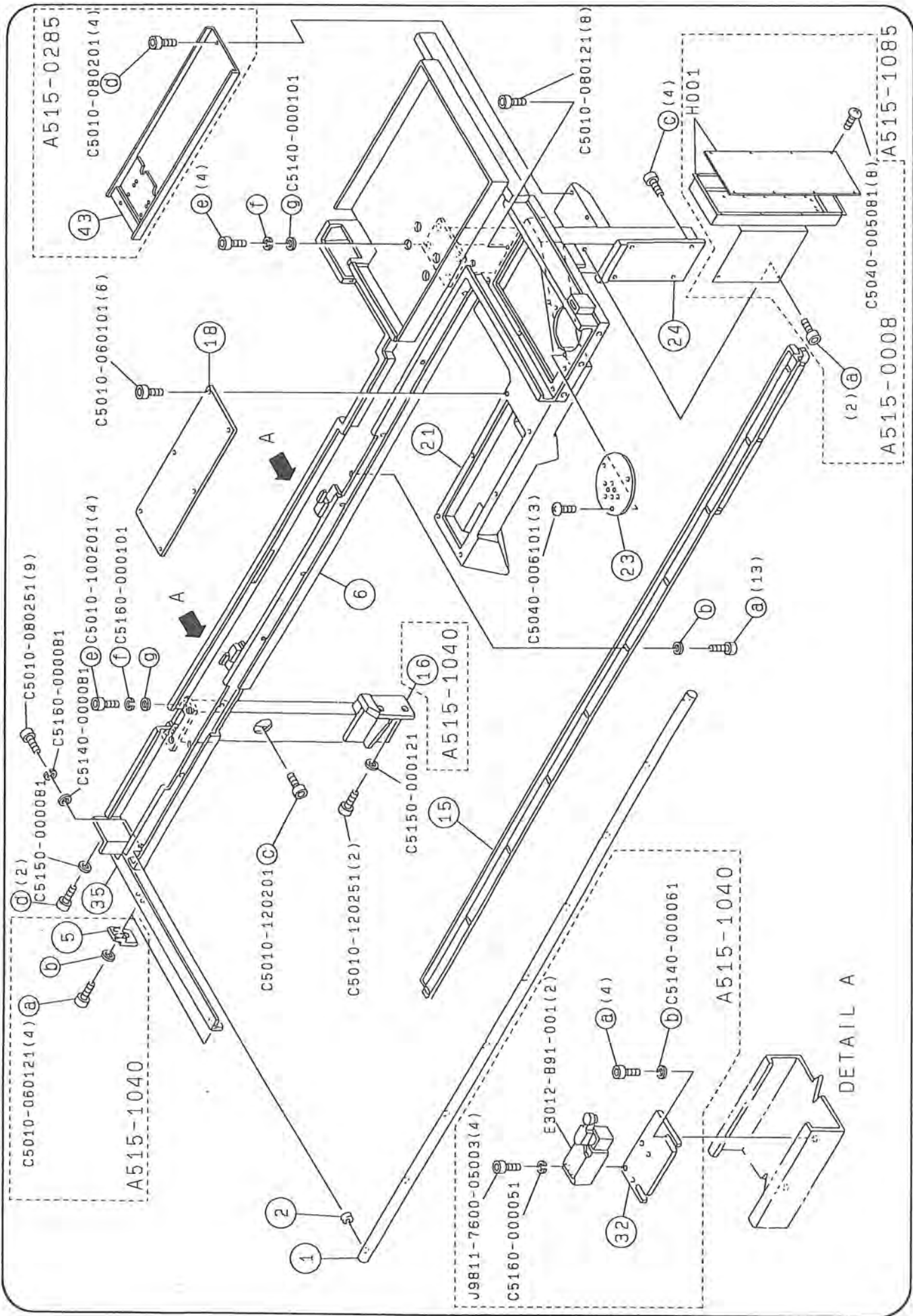
9205





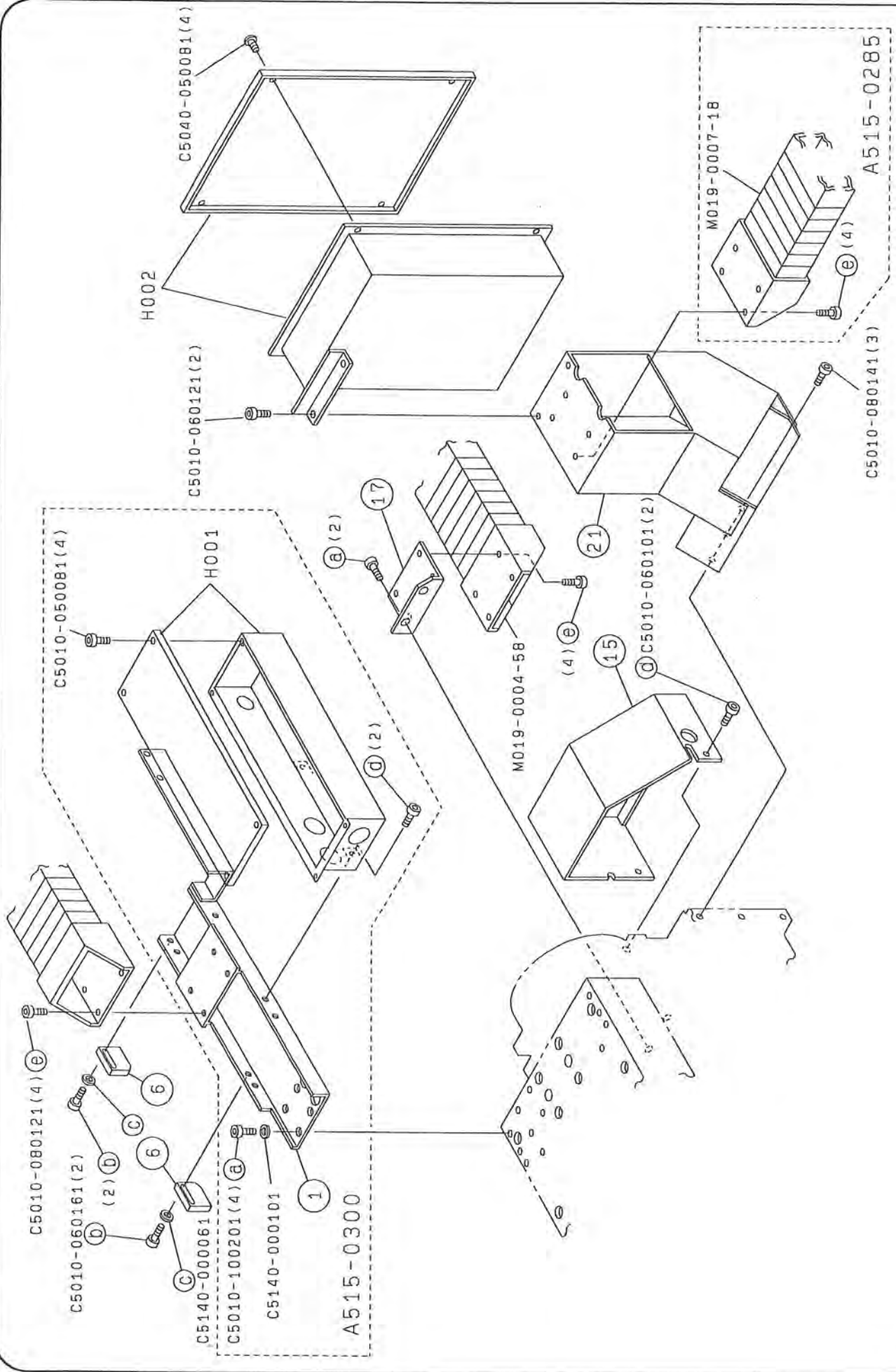
SHEET NO. 115 UPPER RAIL

9205



SHEET NO. 116 PIPING COVERS

9205



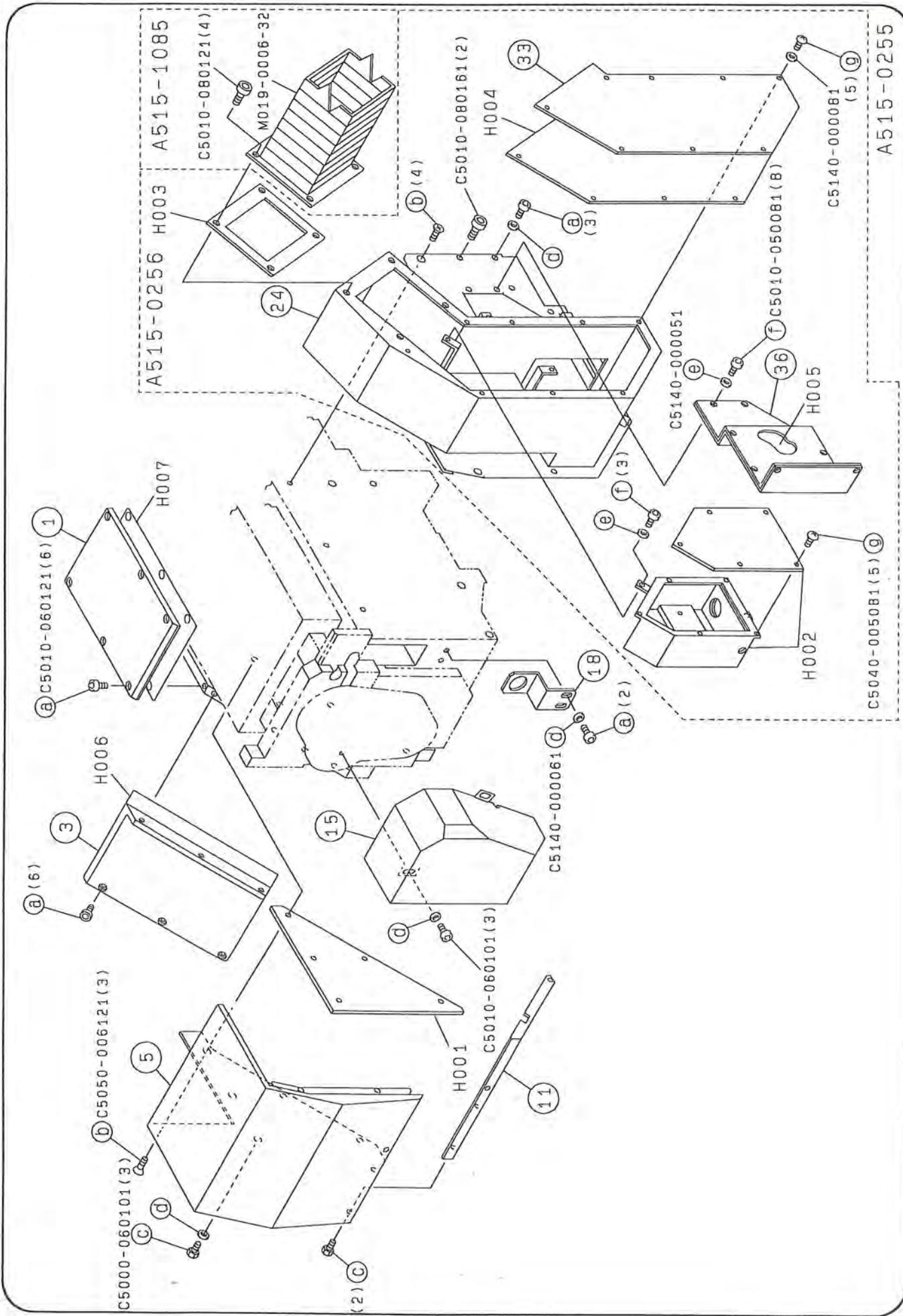
A515-0205

OKUMA Corporation

LR1525C/15C116

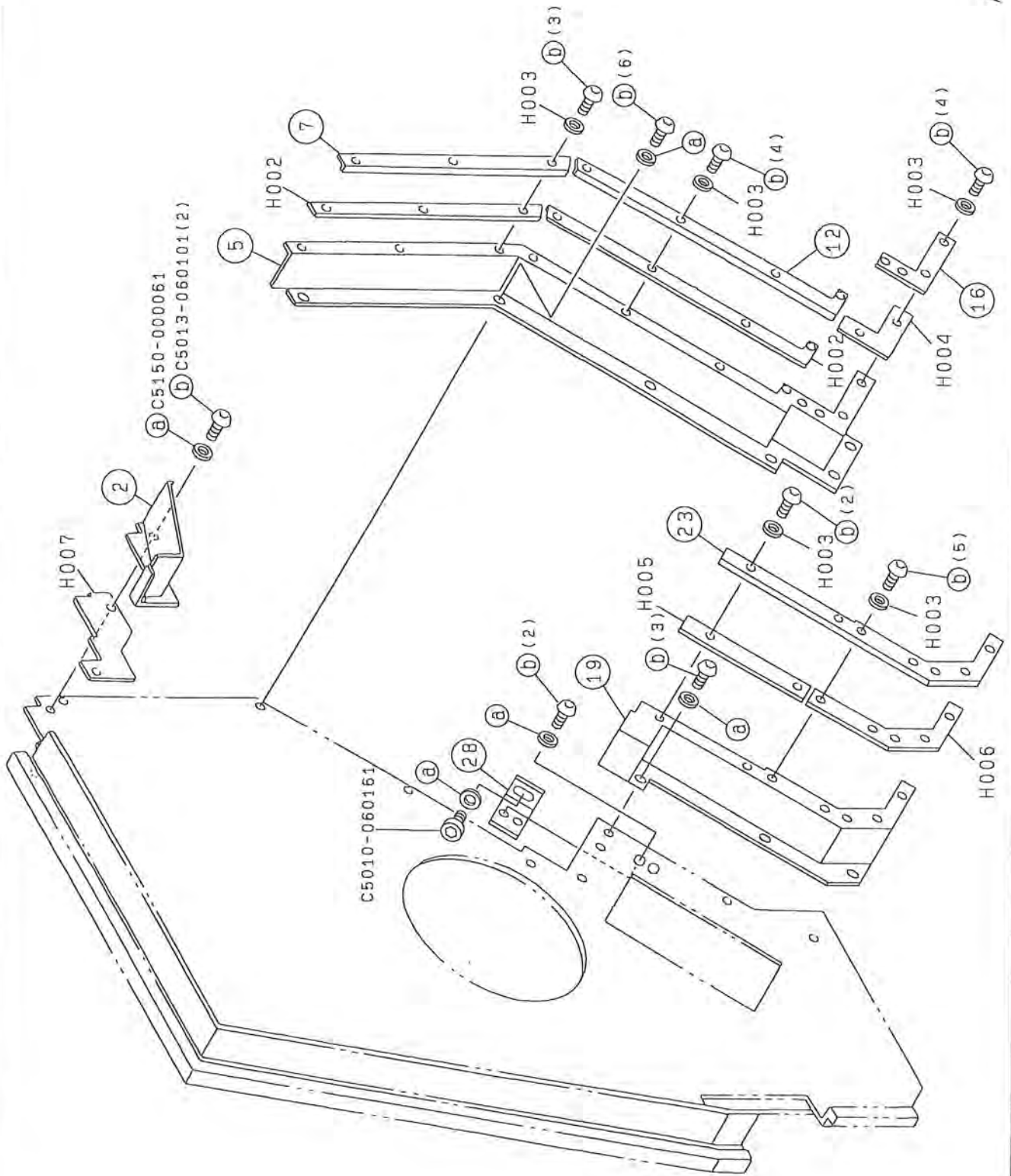
SHEET NO. 117 LOWER SADDLE COVERS

9205



SHEET NO. 118 SADDLE COVERS (1)

9205



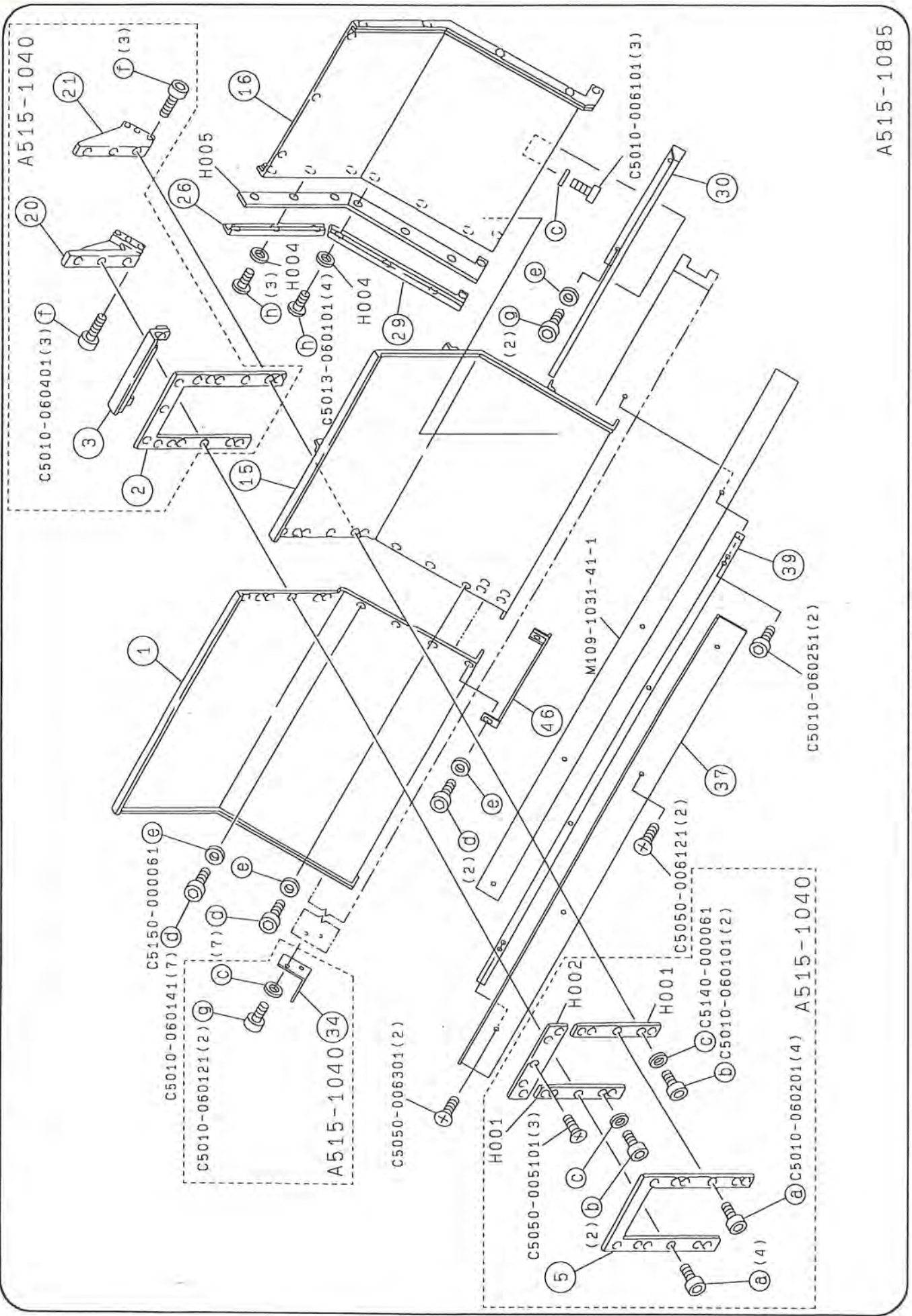
A515-1040

OKUMA Corporation

LR1525C/15C118

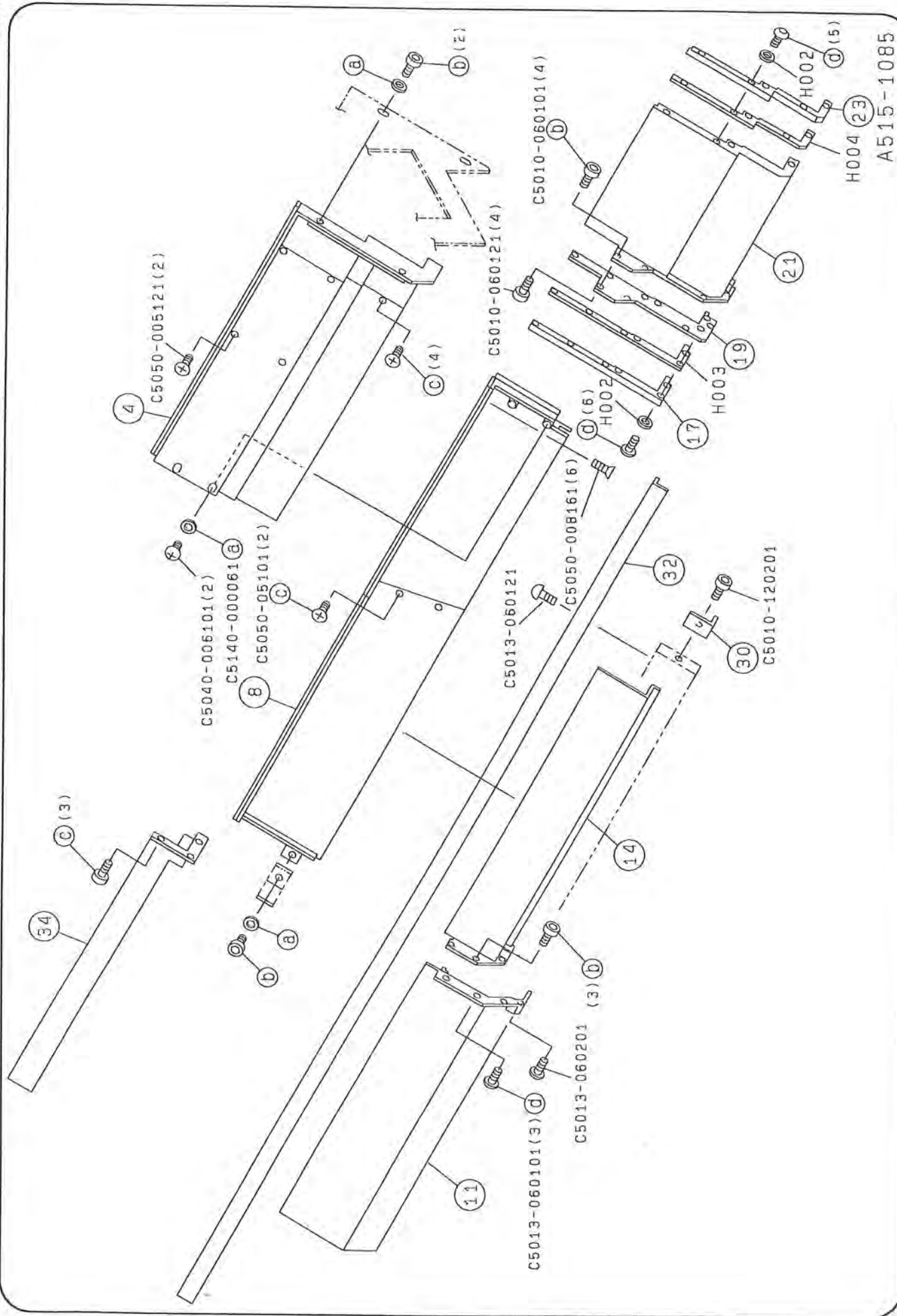
SHEET NO. 119 SADDLE COVERS (2)

9205



SHEET NO. 120 SADDLE COVERS (3)

9205



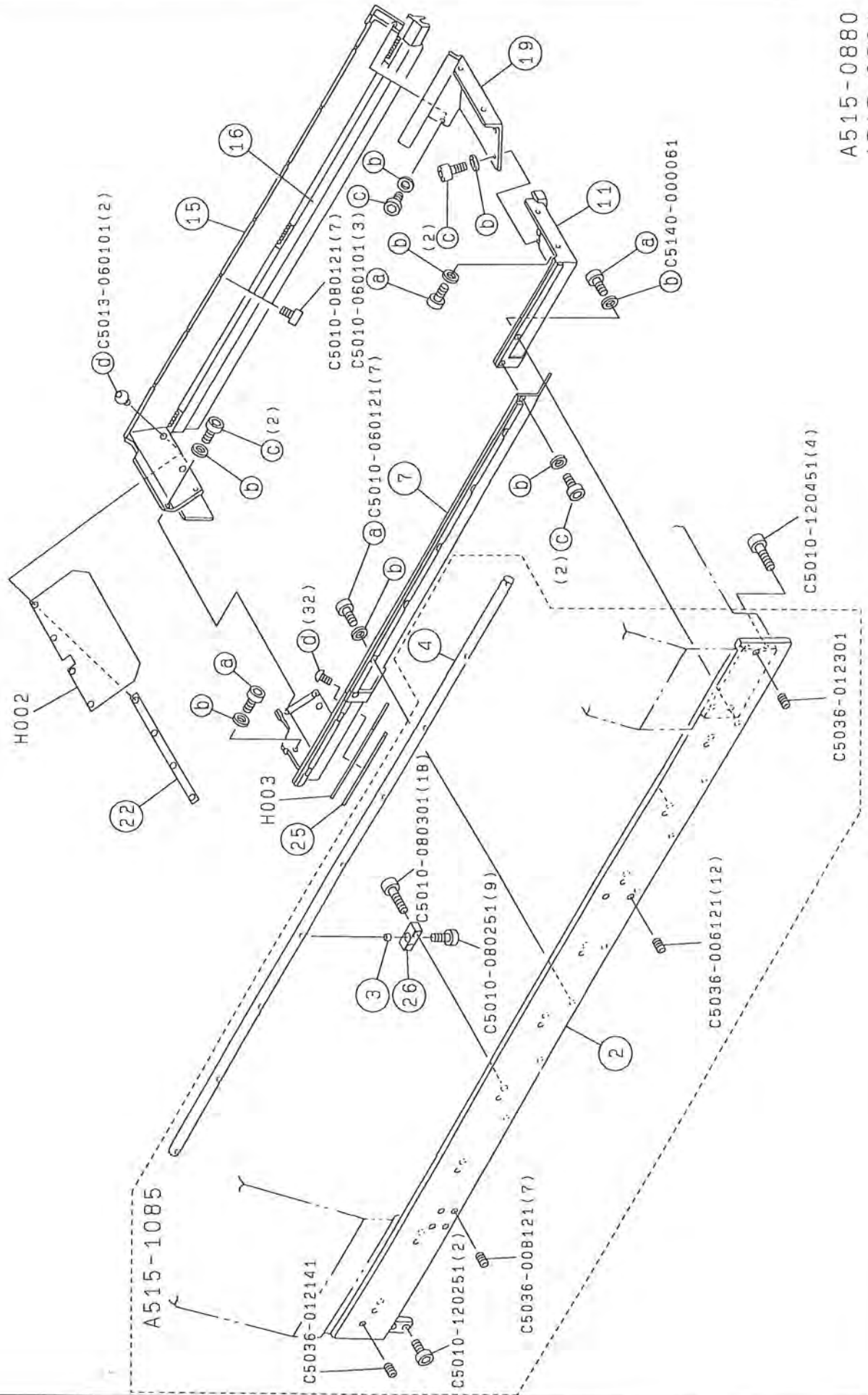
A515-1085

OKUMA Corporation

LR1525C/15C120

SHEET NO. 121 LOWER RAIL

9205



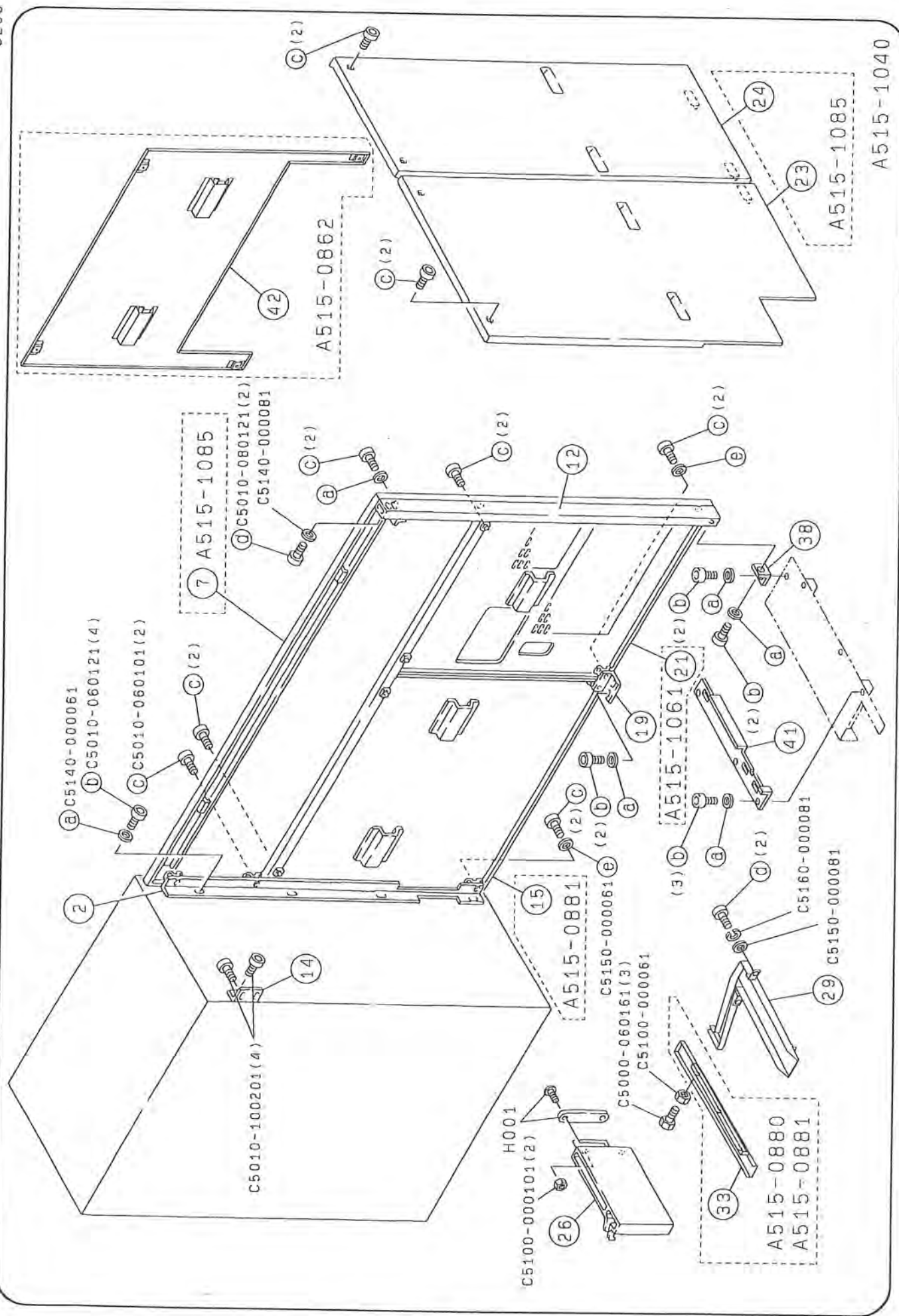
A515-0880
A515-0881

OKUMA Corporation

1 P15250/150121

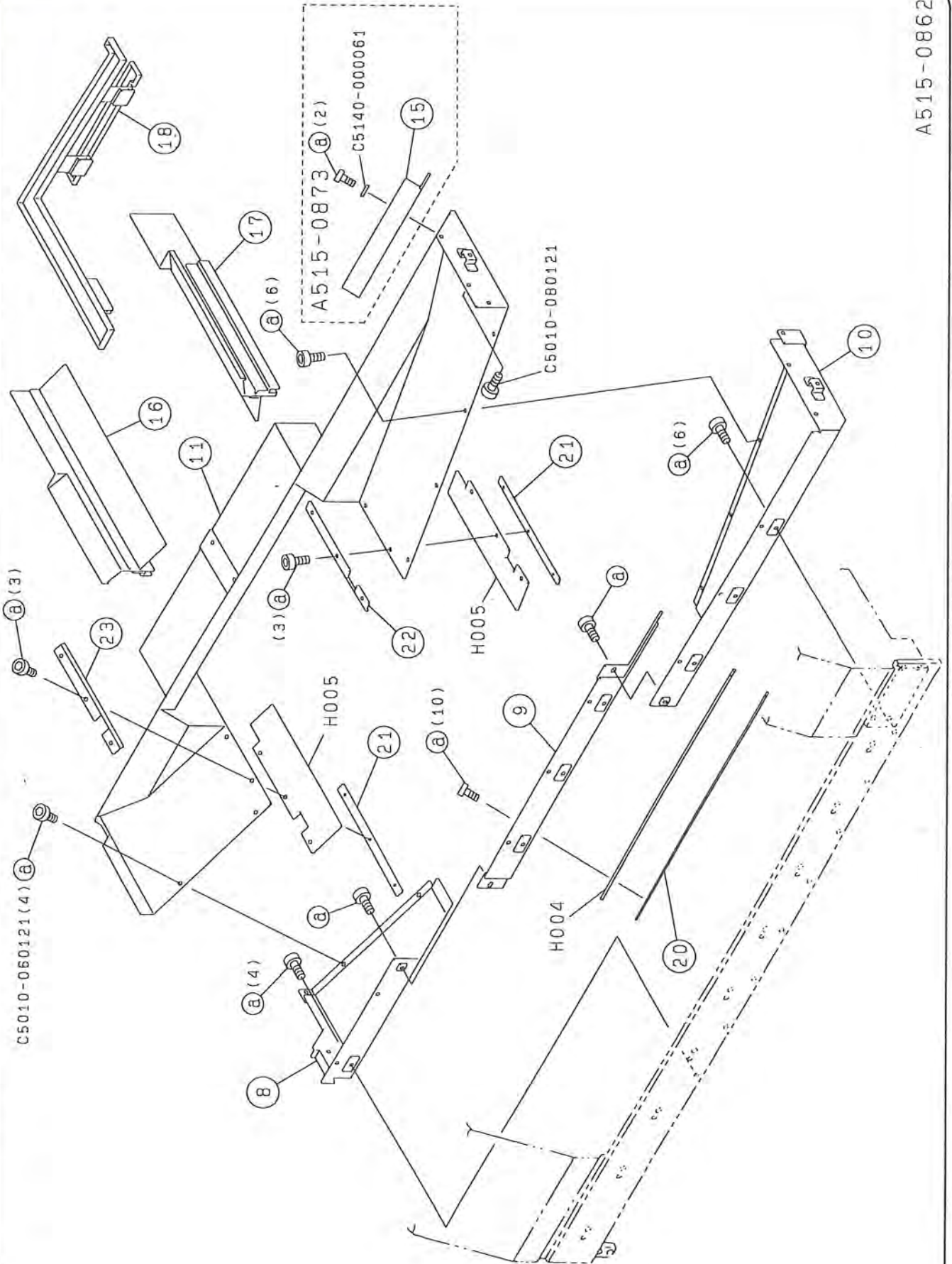
SHEET NO. 122 BACK COVERS

9205



SHEET NO. 123 CHIP SHOUTER (BACK)

9205



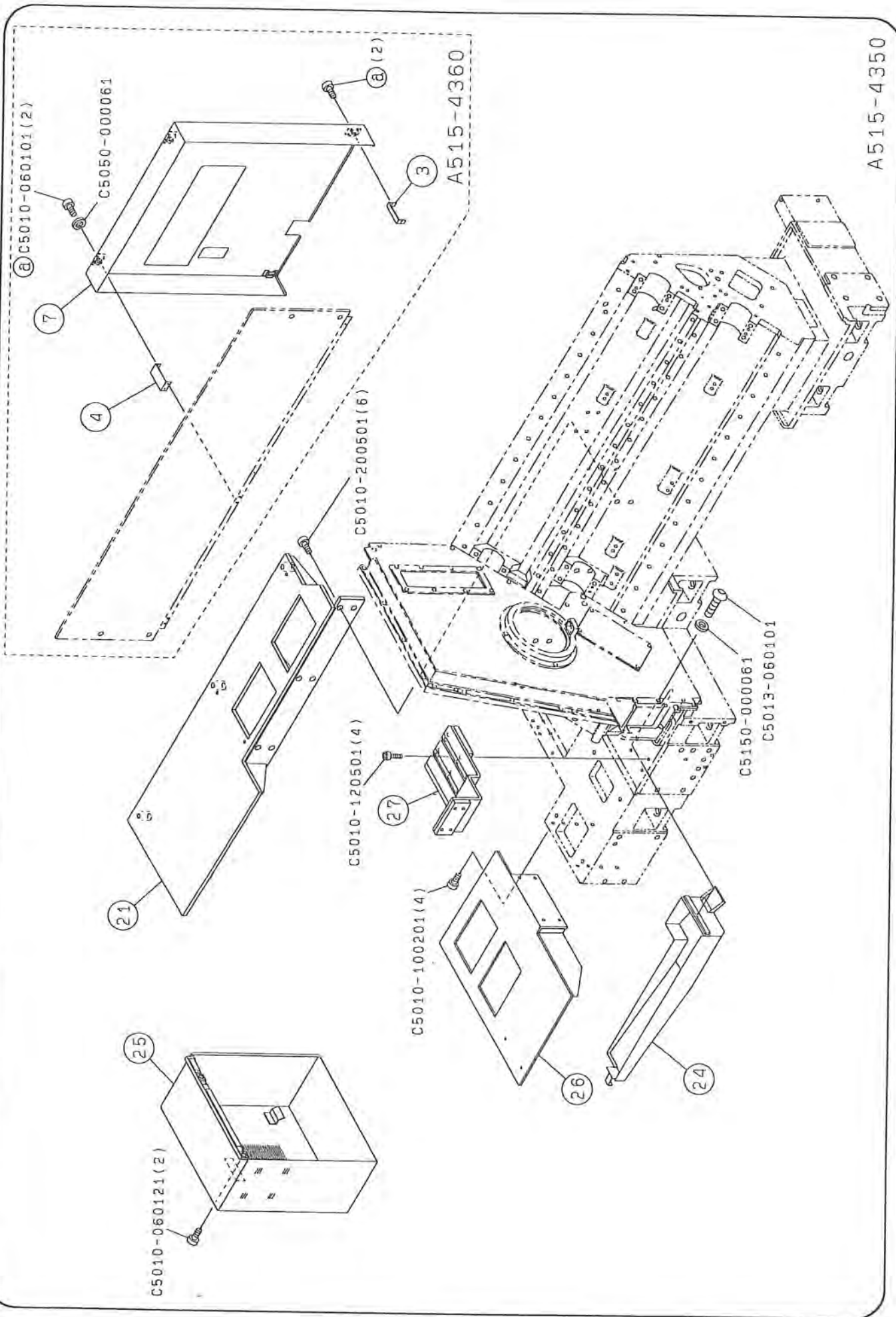
A515-0862

OKUMA Corporation

IR1525C/15C123

SHEET NO. 124 COVER (with OR)

9205



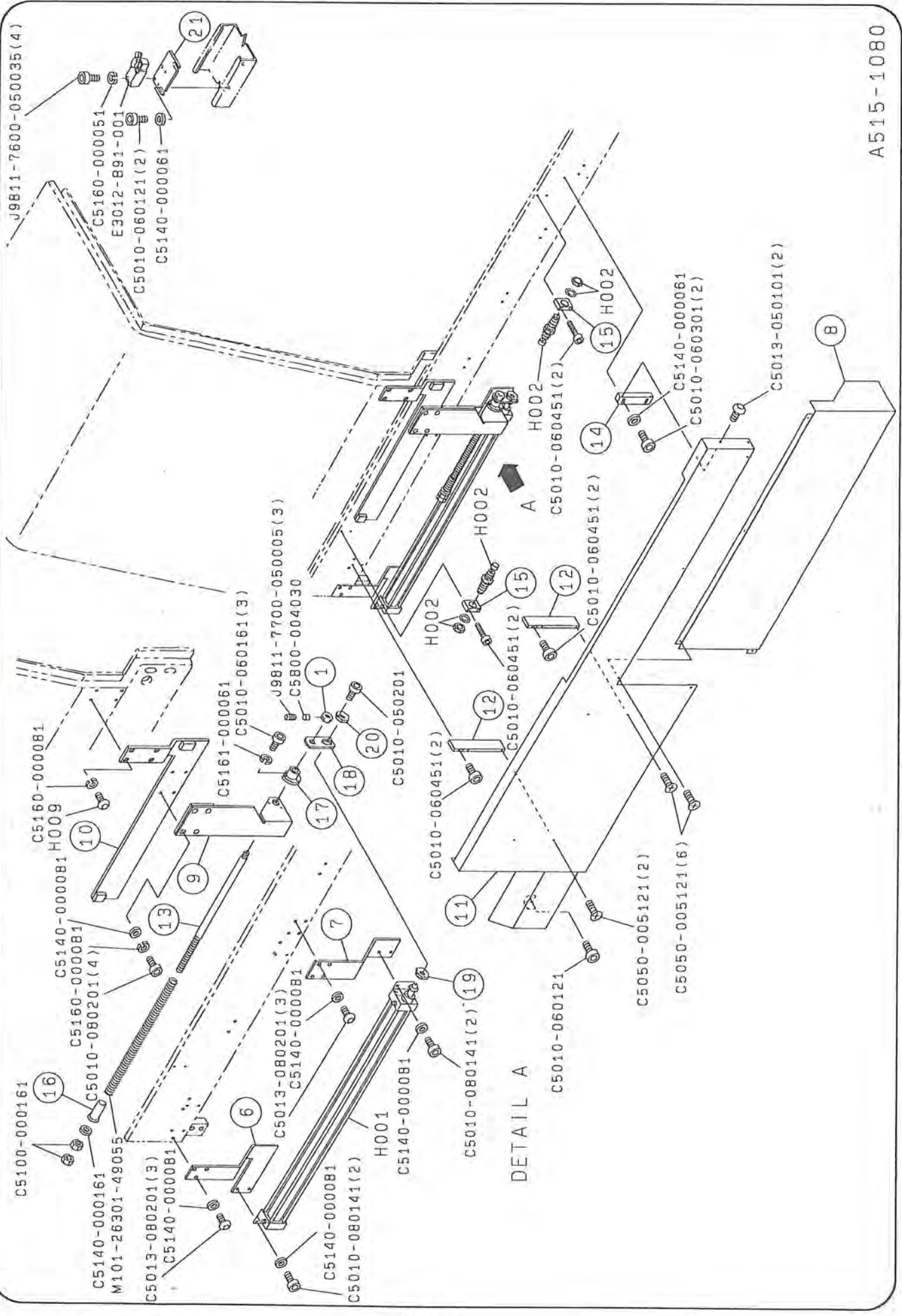
A515-4350

OKUMA Corporation

LR1525C/15C124

SHEET NO. 125 AUTO DOOR (STD)

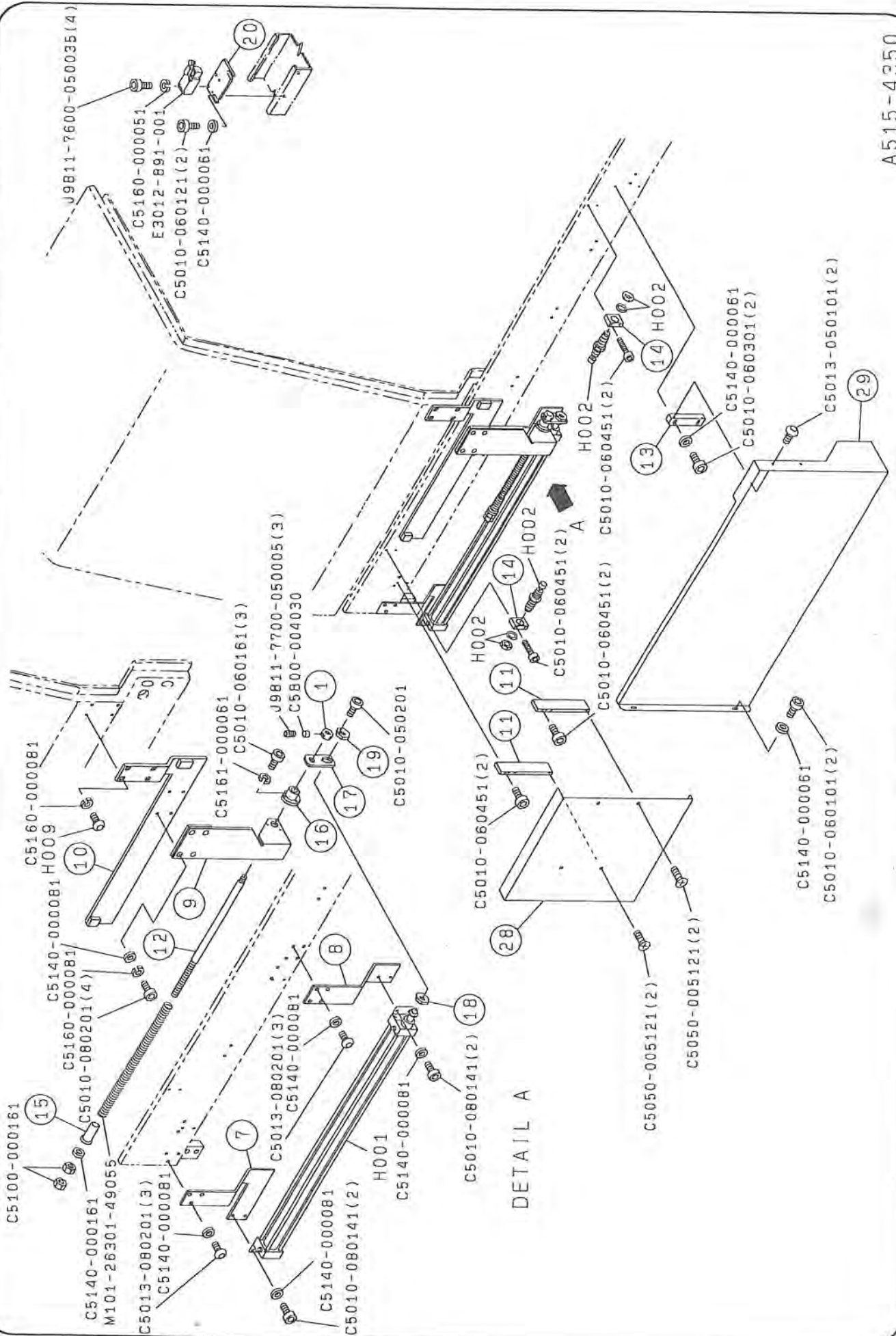
9205



DETAIL A

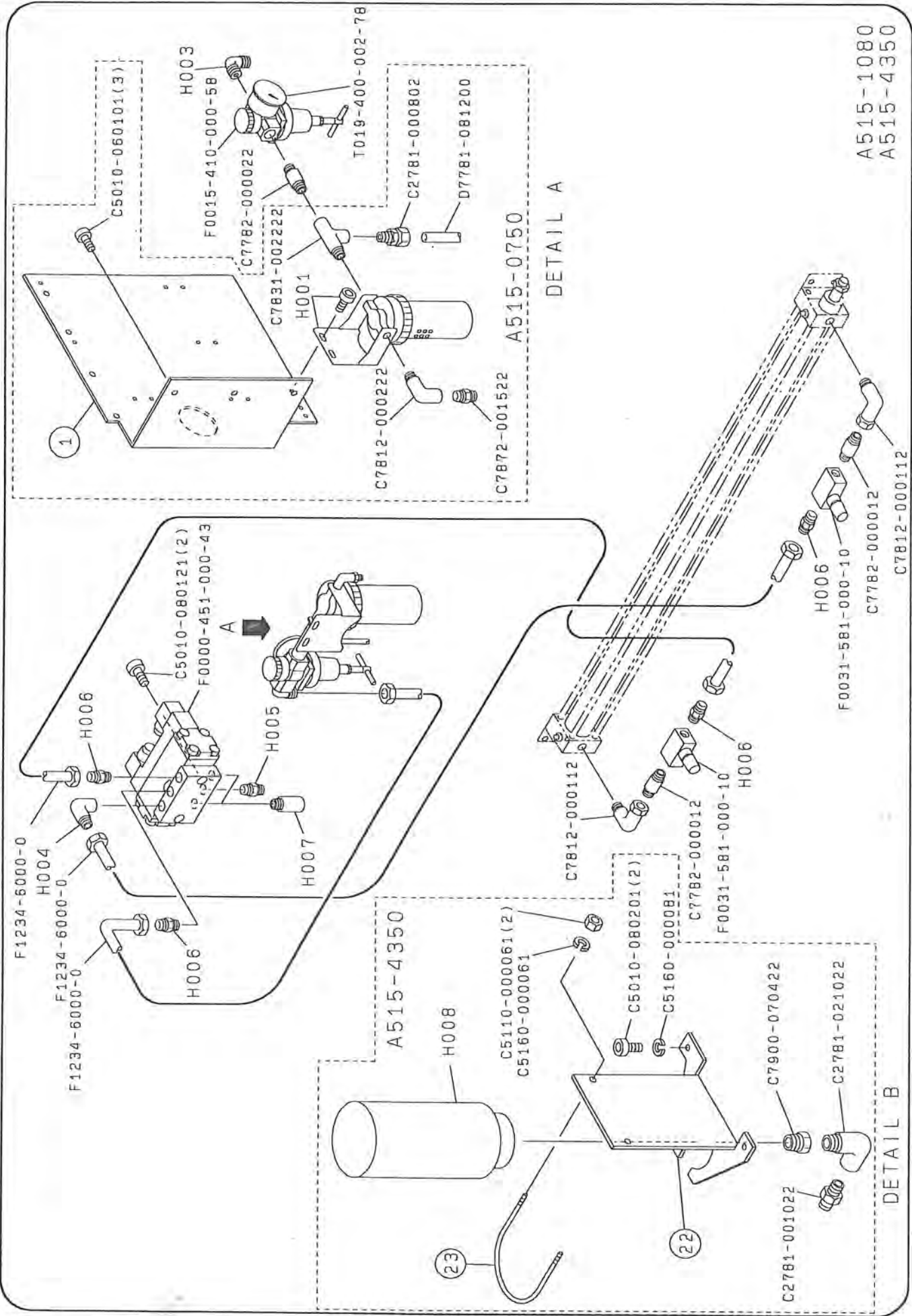
SHEET NO. 126 AUTO DOOR (WITH OR)

9205



SHEET NO. 127 AIR PIPNG (AUTO DOOR)

9205



INDEX NO. LIST

9205

SHEET - ITEM	PART NO.	DESCRIPTION	UNIT NO.	QTY	SHEET - ITEM	PART NO.	DESCRIPTION	UNIT NO.	QTY
111 -001	515-1050-56	HANDLE	A515-1040	1	112 -041	522-1050-83	SUPPORT	A515-1085	2
111 -002	515-1050-59-2	CAP	A515-1040	1	112 -044	515-1050-82-01	GUIDE	A515-1085	1
111 -004	515-1050-58-2	LATTICE	A515-1040	1	112 -H001	H1004-0002-84	WASHER DAIDO WC45 DUN	A515-1085	1
111 -009	515-1050-57-4	DOOR	A515-1040	1	112 -H002	H1020-1092-91-1	PACKING 304X424X2	A515-1085	1
111 -013	522-1001-38-2	SHAFT	A515-1040	4					
111 -016	522-1001-41-1	ROLLER	A515-1040	4	113 -001	515-1040-03-05	COVER	A515-1041	1
111 -017	522-1001-39-1	COLLAR	A515-1040	4	113 -003	515-1000-37-4	SUPPORT	A515-1040	1
111 -018	515-1060-39-2	PLATE	A515-1040	1	113 -005	515-1050-03-5	BOX	A515-1061	1
111 -019	515-1060-02-3	PLATE	A515-1040	1	113 -007	515-1050-75	PLATE	A515-1040	1
111 -028	515-1050-47-03	SUPPORT	A515-1040	1	113 -011	515-1050-34	HOLDER	A515-1040	1
111 -031	515-1050-83-01	SUPPORT	A515-1040	2	113 -015	515-1050-32	HOLDER	A515-1040	1
111 -035	515-1106-81	DOG	A515-1040	1	113 -021	515-1000-38-1	PLATE	A515-1040	1
111 -H002	H1020-1075-68-2	PLATE NBR 513X713 X3	A515-1040	1	113 -025	515-0140-24-1	COVER	A515-0144	1
111 -H003	H1022-1042-99	PLATE FUKUI 511X7 11X6	A515-1040	1	113 -025	515-1050-36-1	COVER (STANDARD)	A515-0109	1
111 -H004	H1020-1106-70	PACKING 513X713X1	A515-1040	1	113 -029	515-1040-10-01	CAP	A515-1040	1
111 -H005	H1040-1047-89	NAMEPLATE	A515-1500	1	113 -031	515-1050-31-3	COVER	A515-1041	1
					113 -036	515-1050-35-3	HOLDER	A515-1040	1
112 -003	515-1050-62	BRACKET	A515-1085	1	113 -039	515-1050-74	PLATE	A515-1040	1
112 -006	522-1011-29-1	GUIDE	A515-1085	1	113 -046	515-1050-88-01	PLATE	A515-1040	1
112 -008	522-1011-28	RING	A515-1085	1	113 -047	515-1050-86-02	PLATE	A515-1040	1
112 -010	522-1011-27	FLANGE	A515-1085	1	113 -049	515-1050-87-01	HOLDER	A515-1040	1
112 -014	522-1001-38-2	SHAFT	A515-1085	4	113 -050	515-1050-89-01	PLATE	A515-1040	1
112 -017	522-1001-41-1	ROLLER	A515-1085	4	113 -H001	H1020-1107-33	WIPER 38X473X1.5	A515-1040	1
112 -018	522-1001-39-1	COLLAR	A515-1085	4	113 -H003	H1023-0010-73	SEAL NITTA LR15	A515-1040	1
112 -019	515-1060-40-2	PLATE	A515-1085	1	113 -H004	H1004-0002-78	WASHER SINATOMO C 5140-000616	A515-1040	12
112 -020	515-1060-06-3	PLATE	A515-1085	1	113 -H006	H1023-0014-06	SEAL NITTA LR15	A515-1040	1
112 -024	515-1060-05-1	COVER	A515-1085	1	113 -H007	H1020-1075-59	PLATE 141X446X1	A515-1040	2
112 -027	522-1011-26-1	FLANGE	A515-1085	1	113 -H008	H1022-1032-61	PLATE 141X446X3	A515-1040	1
112 -034	515-1060-07-3	COVER	A515-1085	1	113 -H014	H1020-1121-12-2	WIPER 128.5X417X3	A515-1040	1
112 -036	515-1060-04-11	DOOR	A515-1085	1	113 -H020	H1001-0014-17	SPECIAL BOLT GOSH O 6X15	A515-1040	4
112 -038	515-1060-50-3	SUPPORT	A515-1085	1	113 -H021	H1090-1006-92	BRUSH	A515-1040	1

OKUMA Corporation

LR15 2SC 11

SHEET -ITEM	PART NO.	DESCRIPTION	UNIT NO.	QTY	SHEET -ITEM	PART NO.	DESCRIPTION	UNIT NO.	QTY
114 -001	515-1060-28-6	COVER	A515-1085	1	116 -H001	H9009-3100-01-5	TERMINAL BOX SPN 90X315	A515-0300	1
114 -003	515-1060-10-5	COVER	A515-1085	1	116 -H002	H9020-2900-06	TERMINAL BOX SPHC 200X290	A515-0205	1
114 -004	515-1060-11-3	COVER	A515-1085	1	117 -001	515-0255-05-1	CAP	A515-0255	1
114 -005	515-1095-15-02	COVER	A515-1085	1	117 -003	515-0255-04	CAP	A515-0255	1
114 -008	515-1060-42-01	PLATE	A515-1085	1	117 -005	515-0251-49-01	COVER	A515-0255	1
114 -012	515-1060-78	COVER	A515-1085	1	117 -011	515-0251-08-01	CAP	A515-0255	1
114 -H001	H1061-0000-66	TONGS TAKIGEN A-3 6	A515-1085	1	117 -015	515-0221-45-1	COVER	A515-0255	1
114 -H002	H1009-0000-47	TOGGLE TAKIGEN C- 25-D	A515-1085	1	117 -018	515-0251-04	SUPPORT	A515-0255	1
114 -H003	H1020-1129-21-1	PACKING	A515-1085	1	117 -024	515-0255-06-3	DUCT	A515-0256	1
115 -001	515-1060-24-1	RAIL	A515-1085	1	117 -033	515-0251-11	COVER	A515-0256	1
115 -002	522-1011-42	COLLAR	A515-1085	9	117 -036	515-0255-07-01	COVER	A515-0256	1
115 -005	522-1001-31-01	SUPPORT	A515-1040	2	117 -H001	H1020-1075-36-2	PLATE NBR 232X240 X1	A515-0255	1
115 -006	515-1060-23-12	DUCT	A515-1085	1	117 -H002	H9011-1800-01-2	TERMINAL BOX	A515-0256	1
115 -015	515-1060-27-2	GUTTER	A515-1085	1	117 -H003	H1020-1095-88	PACKING	A515-0256	1
115 -016	515-1050-11-6	DUCT	A515-1040	1	117 -H004	H1020-1095-89	PACKING	A515-0256	1
115 -018	515-1060-14-2	CAP	A515-1085	1	117 -H005	H1020-1105-69	PACKING	A515-0256	1
115 -021	515-1060-13-03	DUCT	A515-1085	1	117 -H006	H1020-1105-71	PLATE 151X273.5X1	A515-0255	1
115 -023	515-1050-42	CAP	A515-1085	1	117 -H007	H1020-1105-70-1	PLATE 151X212X1	A515-0255	1
115 -024	515-1060-20-01	SUPPORT	A515-1085	1	118 -002	515-1050-38-1	COVER	A515-1040	1
115 -032	515-1600-14	PLATE	A515-1040	2	118 -005	515-1040-04-2	COVER	A515-1040	1
115 -035	515-1050-61	SUPPORT	A515-1085	1	118 -007	515-1050-24-1	PLATE	A515-1040	1
115 -043	515-0240-17	SUPPORT	A515-0285	1	118 -012	515-1040-05-1	HOLDER	A515-1040	1
115 -H001	H9022-6200-04-1	TERMINAL BOX	A515-0008	1	118 -016	515-1040-08-1	HOLDER	A515-1040	1
116 -001	515-0220-41-4	BRACKET	A515-0300	1	118 -019	515-1040-06-2	COVER	A515-1040	1
116 -006	515-0220-11-2	DOG	A515-0205	2	118 -023	515-1040-07-01	HOLDER	A515-1040	1
116 -015	515-0220-08-4	COVER	A515-0205	1	118 -028	515-1040-09-1	SUPPORT	A515-1040	1
116 -017	515-0220-13-2	SUPPORT	A515-0205	1	118 -H002	H1023-0012-19	SEAL NITTA	A515-1040	1
116 -021	515-0240-16-2	DUCT	A515-0205	1	118 -H003	H1004-0002-78	WASHER SINATOMO C 5140-000061 6	A515-1040	18
					118 -H004	H1023-0012-20	SEAL NITTA	A515-1040	1

INDEX NO. LIST

SHEET - ITEM	PART NO.	DESCRIPTION	UNIT NO.	QTY	SHEET - ITEM	PART NO.	DESCRIPTION	UNIT NO.	QTY
118 - H005	H1020-1105-67	PACKING 24.5X198X 2	A515-1040	1	120 - 023	515-1085-16-01	PLATE	A515-1085	1
118 - H006	H1023-0012-21	SEAL NITTA	A515-1040	1	120 - 030	515-1085-23-01	COVER	A515-1085	1
118 - H007	H1020-1096-04-1	PACKING 121.8X183 X3	A515-1040	1	120 - 032	515-1085-20-04	COVER	A515-1085	1
119 - 001	515-1085-05-03	COVER	A515-1085	1	120 - 034	515-1085-22-03	COVER	A515-1085	1
119 - 002	515-1000-19-3	PLATE	A515-1040	1	120 - H002	H1004-0002-78	WASHER, polished 6	A515-1085	11
119 - 003	515-1050-20-02	COVER	A515-1040	1	120 - H003	H1023-0012-16-1	WIPER NITTA LR15	A515-1085	1
119 - 005	515-1000-4002	PLATE	A515-1040	1	120 - H004	H1023-0012-17-1	WIPER NITTA LR15	A515-1085	1
119 - 015	515-1085-06-03	COVER	A515-1085	1	121 - 002	515-1060-26-7	RAIL	A515-1085	1
119 - 016	515-1085-17	COVER	A515-1085	1	121 - 003	522-1011-42	COLLAR	A515-1085	9
119 - 020	515-1050-18	SUPPORT	A515-1040	1	121 - 004	515-1060-25-1	RAIL	A515-1085	1
119 - 021	515-1050-19	SUPPORT	A515-1040	1	121 - 007	515-0910-10-3	GUIDE	A515-0880	1
119 - 026	515-1060-36-01	HOLDER	A515-1085	1	121 - 007	515-0910-10-3	GUIDE	A515-0881	1
119 - 029	515-1085-18	HOLDER	A515-1085	1	121 - 011	515-0900-20-03	GUIDE	A515-0880	1
119 - 030	515-1085-02-01	SUPPORT	A515-1085	1	121 - 011	515-0900-20-03	GUIDE	A515-0881	1
119 - 034	515-1040-11-01	GUIDE	A515-1040	1	121 - 015	515-0910-43	GUIDE	A515-0881	1
119 - 037	515-1085-01-04	COVER	A515-1085	1	121 - 015	515-0910-43	GUIDE	A515-0880	1
119 - 039	515-1085-21-1	BLOCK	A515-1085	1	121 - 016	515-0910-08	COVER	A515-0881	1
119 - 046	515-1085-07-02	COVER	A515-1085	1	121 - 016	515-0910-08	COVER	A515-0880	1
119 - H001	H1020-1093-14-3	PACKING 29X315X4	A515-1040	2	121 - 019	515-0910-21-01	GUIDE	A515-0880	1
119 - H002	H1020-1093-15-1	PACKING 40X322X4	A515-1040	1	121 - 019	515-0910-21-01	GUIDE	A515-0881	1
119 - H004	H1004-0002-78	WASHER SINATOMO C 5140-000061 6	A515-1085	7	121 - 022	515-1012-25	PLATE	A515-0880	1
119 - H005	H1023-0012-22	WIPER	A515-1085	1	121 - 022	515-1012-25	PLATE	A515-0881	1
120 - 004	515-1085-09-03	COVER	A515-1085	1	121 - 025	515-1012-26	PLATE	A515-0880	1
120 - 008	515-1085-08-03	COVER	A515-1085	1	121 - 025	515-1012-26	PLATE	A515-0881	1
120 - 011	515-1085-11-03	COVER	A515-1085	1	121 - 026	515-1060-51	BLOCK	A515-1085	9
120 - 014	515-1085-12-01	COVER	A515-1085	1	121 - H002	H1020-1100-80	PLATE 200X45X4	A515-0881	1
120 - 017	515-1085-14-01	PLATE	A515-1085	1	121 - H003	H1020-1087-10	PLATE	A515-0881	1
120 - 019	515-1085-13-02	PLATE	A515-1085	1	122 - 002	515-1050-15-4	SUPPORT	A515-1040	1
120 - 021	515-1085-15-03	COVER	A515-1085	1	122 - 007	515-1060-18-2	COVER	A515-1085	1

SHEET -ITEM	PART NO.	DESCRIPTION	UNIT NO.	QTY	SHEET -ITEM	PART NO.	DESCRIPTION	UNIT NO.	QTY
122 -012	515-1060-21-2	SUPPORT	A515-1040	1					
122 -014	515-1050-43-2	SUPPORT	A515-1040	1	124 -003	515-1050-45-01	SUPPORT	A515-4350	1
122 -015	515-1060-19-2	COVER	A515-0880	1	124 -004	515-1050-46	SUPPORT	A515-4350	1
122 -015	515-1060-19-2	COVER	A515-0881	1	124 -007	515-1060-49-01	COVER	A515-4350	1
122 -019	515-1050-44-01	SUPPORT	A515-1050	1	124 -021	515-1700-01-3	SUPPORT	A515-4350	1
122 -021	515-1060-17-2	COVER	A515-1061	1	124 -024	515-4350-01-3	GUTTER	A515-4350	1
122 -023	515-1060-16-4	COVER	A515-1085	1	124 -025	515-4350-02	COVER	A515-4350	1
122 -024	515-1060-48-1	COVER	A515-1085	1	124 -026	515-4350-03-1	SUPPORT	A515-4350	1
122 -026	515-1002-80	TANK	A515-1040	1	124 -027	515-4350-04-1	SUPPORT	A515-4350	1
122 -029	515-1002-79-3	GUTTER	A515-1040	1					
122 -033	515-1002-81-3	GUTTER	A515-0881	1	125 -001	127-0709-59	NUT	A515-1080	1
122 -033	515-1002-81-3	GUTTER	A515-0880	1	125 -006	515-1080-01-1	SUPPORT	A515-1080	1
122 -038	522-1011-46	SUPPORT	A515-1040	1	125 -007	515-1080-02	SUPPORT	A515-1080	1
122 -041	515-1050-16-3	SUPPORT	A515-1040	1	125 -008	515-1080-03	COVER	A515-1080	1
122 -042	515-1060-46-01	COVER	A515-0862	1	125 -009	515-1080-04-2	SUPPORT	A515-1080	1
122 -H001	H0039-0002-42	GAUGE, oil KOHO AP 150	A515-1040	1	125 -010	515-1080-05-1	SUPPORT	A515-1080	1
					125 -011	515-1080-06-1	COVER	A515-1080	1
123 -008	515-0860-08-2	GUIDE	A515-0862	1	125 -012	515-1080-07-2	SUPPORT	A515-1080	2
123 -009	515-0860-09-01	GUIDE	A515-0862	1	125 -013	515-1101-70-3	SHAFT	A515-1080	1
123 -010	515-0860-10-01	GUIDE	A515-0862	1	125 -014	515-1101-76	PLATE	A515-1080	1
123 -011	515-0860-11-3	GUIDE	A515-0862	1	125 -015	515-1101-77	SUPPORT	A515-1080	2
123 -015	515-0870-11-2	COVER	A515-0873	1	125 -016	515-1102-59	COLLAR	A515-1080	1
123 -016	515-0860-18-2	COVER	A515-0862	1	125 -017	515-1102-60-1	SUPPORT	A515-1080	1
123 -017	515-0860-19-3	COVER	A515-0862	1	125 -018	515-1102-61-4	PLATE	A515-1080	1
123 -018	515-0860-22-1	GUTTER	A515-0862	1	125 -019	515-1102-69-1	NUT	A515-1080	1
123 -020	515-0860-67	PLATE	A515-0862	1	125 -020	515-1102-70-2	NUT	A515-1080	1
123 -021	515-0860-68	PLATE	A515-0862	2	125 -021	515-1600-14	PLATE	A515-1080	1
123 -022	515-0860-69	PLATE	A515-0862	1	125 -H001	H0002-0009-54	AIR CYLINDER CKD	A515-1080	1
123 -023	515-0860-70	PLATE	A515-0862	1	125 -H002	H0009-0000-47	SHOCK KILLER CKD	A515-1080	2
123 -H004	H1020-1126-06	PLATE	A515-0862	1	125 -H009	H1001-0015-67	BOLT, socket-head GOSHO	A515-1080	4
123 -H005	H1020-1126-07-1	PLATE	A515-0862	1					

I N D E X N O . L I S T

9205

5 / 5

SHEET -ITEM	PART NO.	DESCRIPTION	UNIT NO.	QTY	SHEET -ITEM	PART NO.	DESCRIPTION	UNIT NO.	QTY
126 -001	127-0709-59	NUT	A515-4350	1					
126 -007	515-1080-01-1	SUPPORT	A515-4350	1					
126 -008	515-1080-02	SUPPORT	A515-4350	1					
126 -009	515-1080-04-2	SUPPORT	A515-4350	1					
126 -010	515-1080-05-1	SUPPORT	A515-4350	1					
126 -011	515-1080-07-2	SUPPORT	A515-4350	2					
126 -012	515-1101-70-3	SHAFT	A515-4350	1					
126 -013	515-1101-76	PLATE	A515-4350	1					
126 -014	515-1101-77	SUPPORT	A515-4350	2					
126 -015	515-1102-59	COLLAR	A515-4350	1					
126 -016	515-1102-60-1	SUPPORT	A515-4350	1					
126 -017	515-1102-61-4	PLATE	A515-4350	1					
126 -018	515-1102-69-1	NUT	A515-4350	1					
126 -019	515-1102-70-2	NUT	A515-4350	1					
126 -020	515-1600-14	PLATE	A515-4350	1					
126 -028	515-4350-05	COVER	A515-4350	1					
126 -029	515-4350-06-1	COVER	A515-4350	1					
126 -H001	H0002-0009-54	AIR CYLINDER CKD	A515-4350	1					
126 -H002	H0009-0000-47	SHOCK KILLER CKD	A515-4350	2					
126 -H009	H1001-0015-67	BOLT, socket-head GOSHO	A515-4350	4					
127 -001	515-0750-28-5	SUPPORT	A515-0750	1					
127 -022	515-4300-38	SUPPORT	A515-4350	1					
127 -023	515-4300-39	HOLDER	A515-4350	1					
127 -H001	H0032-0002-16	AIR-FILTER CKD	A515-0750	1					
127 -H003	H0010-0000-16	ELBOW, maile NITTA	A515-4350	2					
127 -H004	H0010-0000-17	ELBOW, maile NITTA	A515-4350	4					
127 -H005	H0010-0000-18	CONNECTER, maile NI TTA	A515-4350	6					
127 -H006	H0010-0000-19	CONNECTER, maile NI TTA	A515-4350	8					
127 -H007	H0036-0000-42	SILENCER CKD	A515-4350	4					
127 -H008	H0030-0000-67	ACCUMULATOR	A515-4350	1					

PURCHASE PARTS LIST

1 / 1

9205

PARTS NO.	DESCRIPTION	PARTS NO.	DESCRIPTION
E3012-891-001	L. S. YAMATAKE 1LS1-J		
E3539-490-005	WORK LIGHT NISSIN SR4285		
F0000-451-000-43	SOL. D CKD 4F440-10-DC24V		
F0015-410-000-58	REGULATOR CKD A2000-3C		
F0031-581-000-10	SPEED CONTROL VALVE CKD		
F1234-6000-0	TUBE NITTA N2-1-3/8 L6000 BLACK		
M000-6002ZZ	BALL BEARING 6002ZZ		
M019-0004-58	HOSE KINJYO		
M019-0006-32	HOSE KINJYO		
M019-0007-18	HOSE, flexible KINJYO FI26S-1X11		
M101-26301-49055	SPRING 2.6X30.1X490X55		
M109-1031-41-1	PLATE SUP3		
T019-400-002-78	GAUGE, pressure SMC G46-10-02-X7		

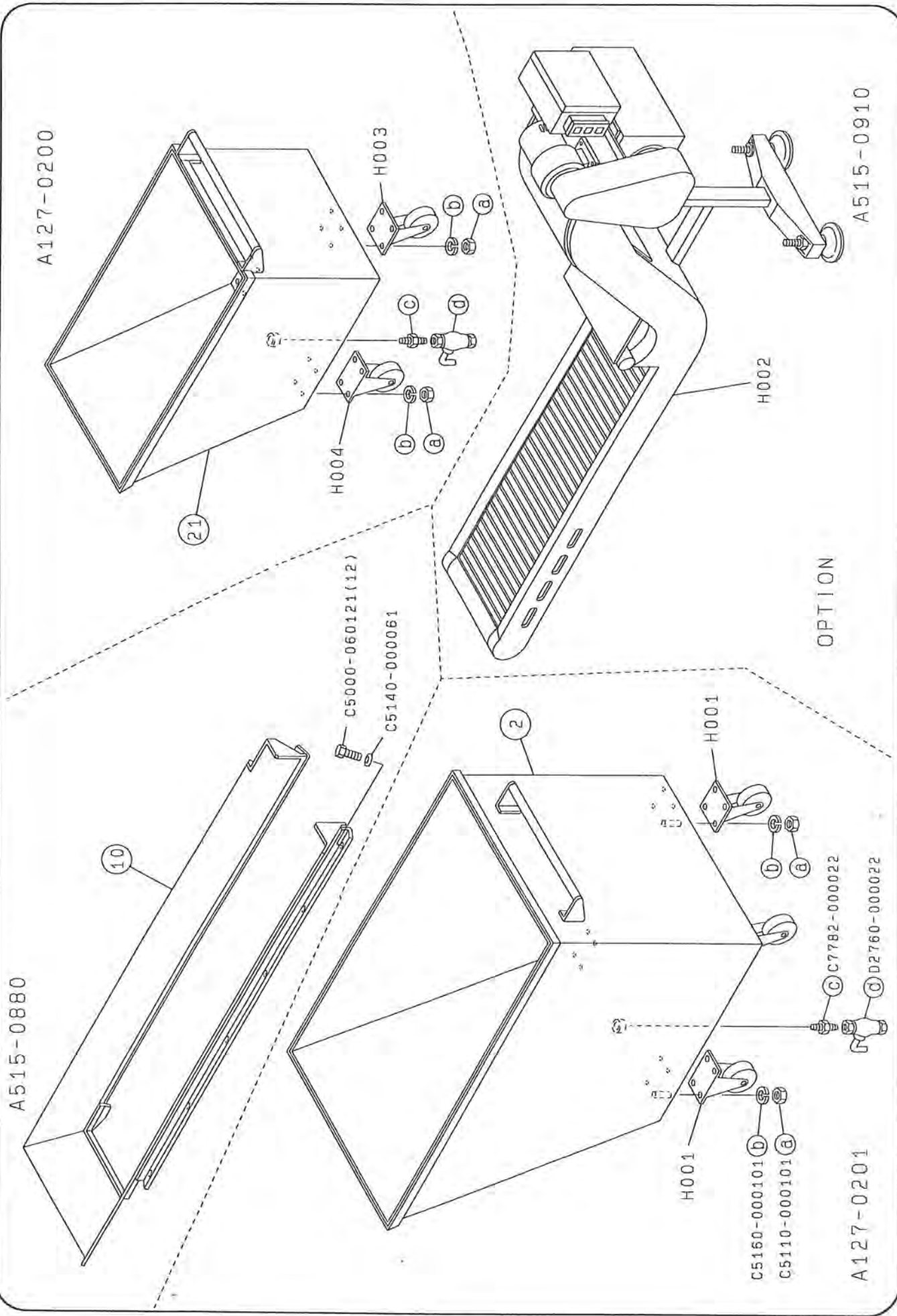
(12) SYSTEM GROUP

~ CONTENTS ~

SHEET NO.	ASSEMBLY NAME	PAGE
131	CHIP CONVEYOR	412
I	INDEX NO. LIST	413

SHEET NO. 131 CHIP CONVEYOR

9205



INDEX NO. LIST

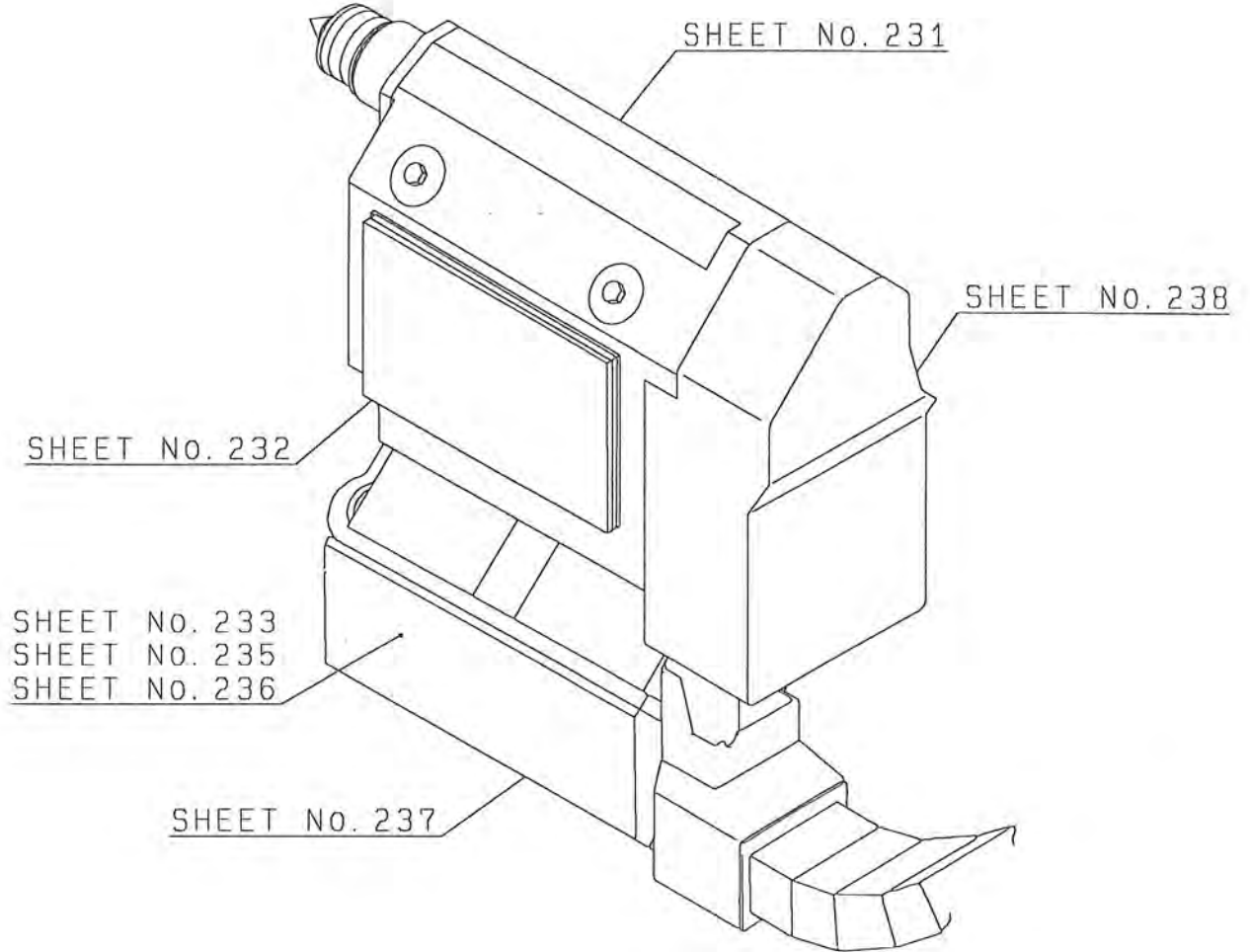
9205

I / 1

SHEET -ITEM	PART NO.	DESCRIPTION	UNIT NO.	QTY	SHEET -ITEM	PART NO.	DESCRIPTION	UNIT NO.	QTY
131 -002	127-6751-04-01	CHIP BUCKET	A127-0201	1					
131 -010	515-0910-12-3	GUIDE	A515-0880	1					
131 -021	191-6714-17-03	CHIP BUCKET	A127-0200	1					
131 -H001	H1080-0002-71	CASTER PBW M130	A127-0201	4					
131 -H002	H0190-0026-72	CONVEYOR, chip	A515-0910	1					
131 -H003	H1080-0002-70	CASTER PBO M130	A127-0200	1					
131 -H004	H1080-0002-71	CASTER PBW M130	A127-0200	2					

OKUMA Corporation

LR15 1SC, 2SC 12

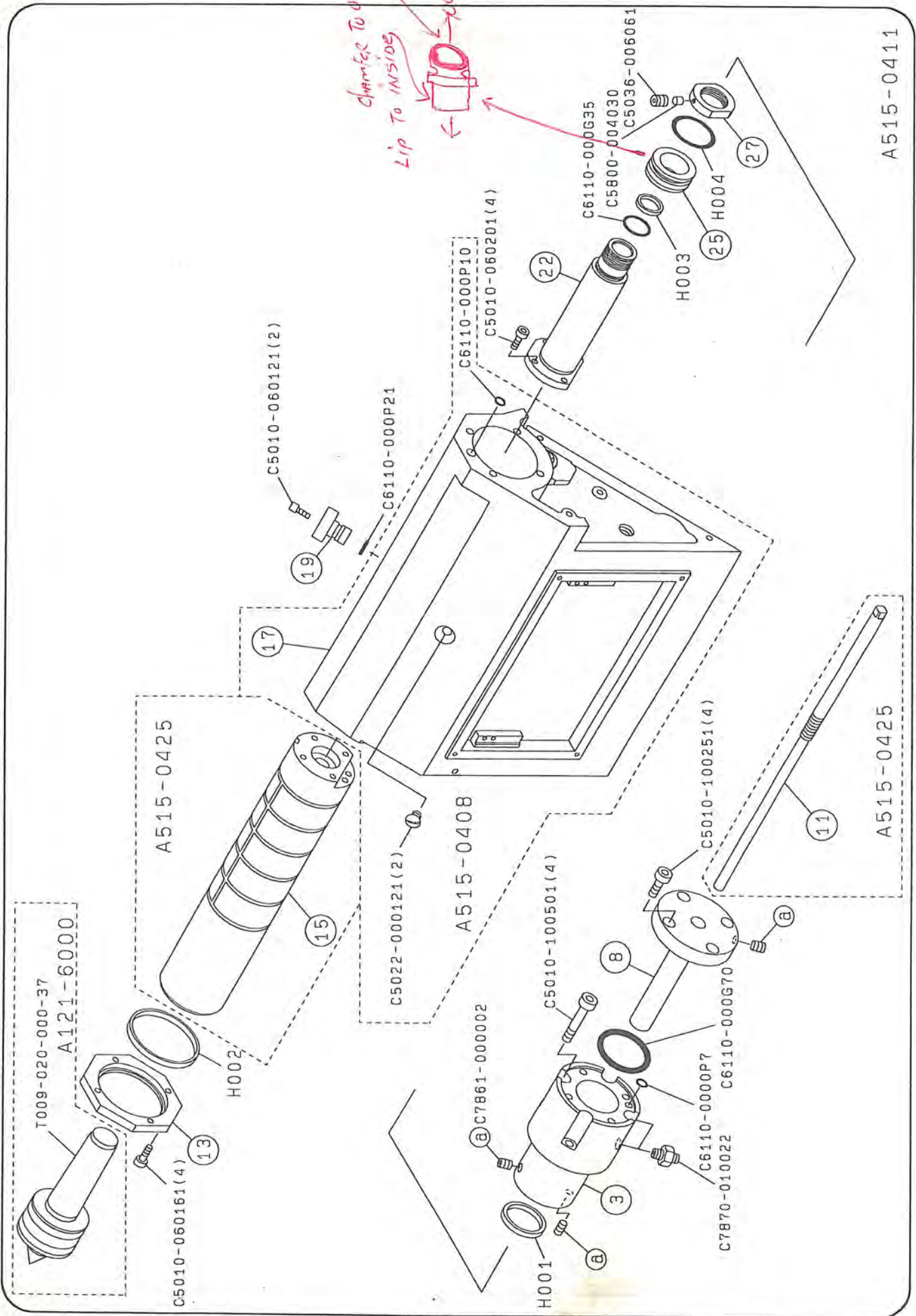


~ CONTENTS ~

SHEET NO.	ASSEMBLY NAME	PAGE
231	TAILSTOCK QUILL (AUTO)	432
232	QUILL STROKE SWITCH (AUTO)	433
233	LOCKING DEVICE STROKE SWITCH (AUTO)	434
234	LOCKING DEVICE (AUTO 1)	435
235	LOCKING DEVICE (AUTO 2)	436
236	SADDLE TO ALONG (AUTO)	437
237	LOWER BASE (AUTO)	438
238	INSTALLATION (AUTO)	439
239	TAILSTOCK QUILL (MANUAL)	440
240	LOCKING DEVICE (MANUAL)	441
241	SADDLE TO ALONG (MANUAL)	442
242	LOWER BASE (MANUAL)	443
243	INSTALLATION (MANUAL)	444
244	LIVE CENTER	445
I	INDEX NO. LIST	446
P/P	PURCHASE PARTS LIST	447

SHEET NO. 231 TAILSTOCK QUILL (AUTO)

9205



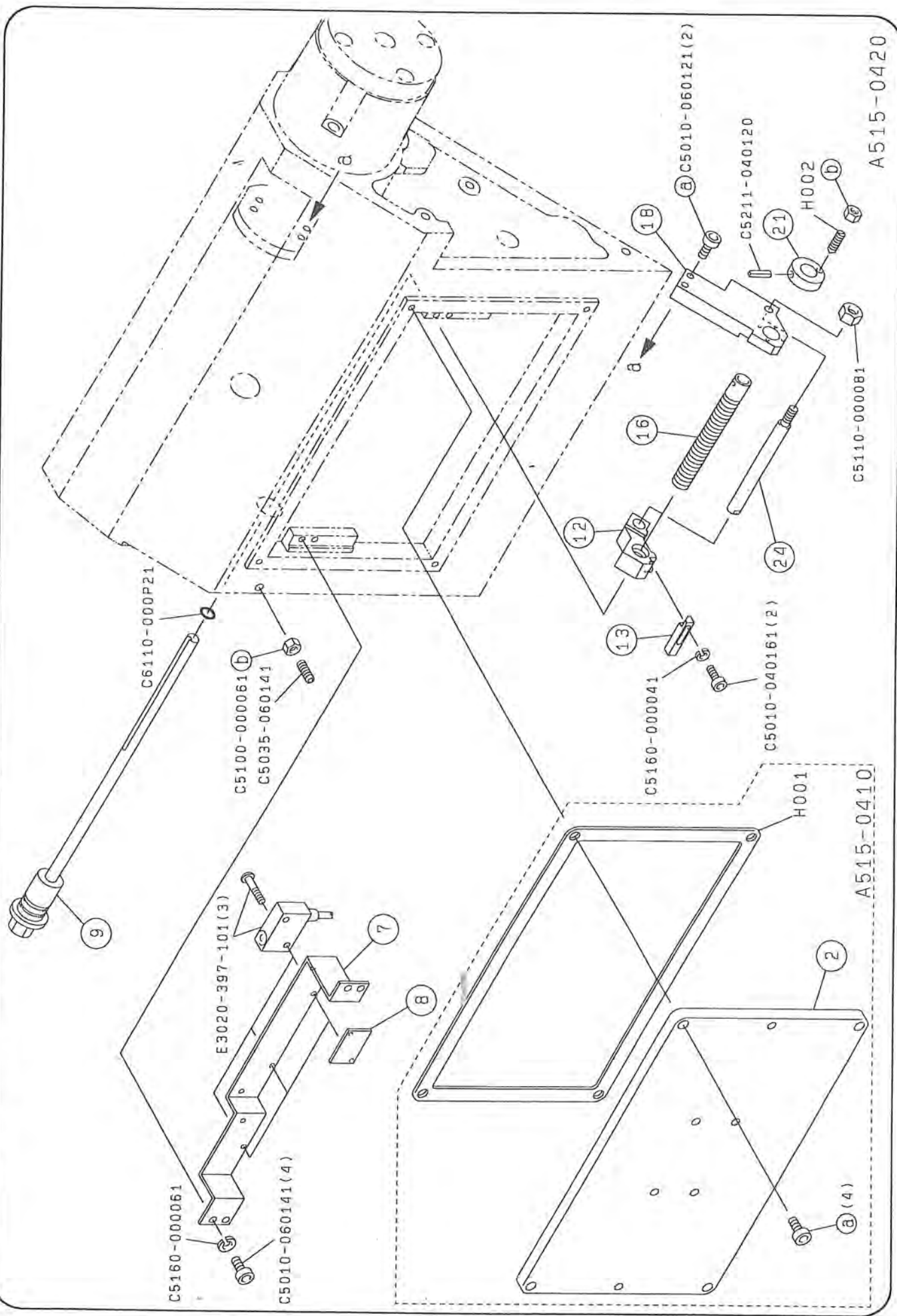
A515-0411

OKUMA Corporation

IR1529C/15C231

SHEET NO. 232 QUILL STROKE SWITCH (AUTO)

9205



A515-0420

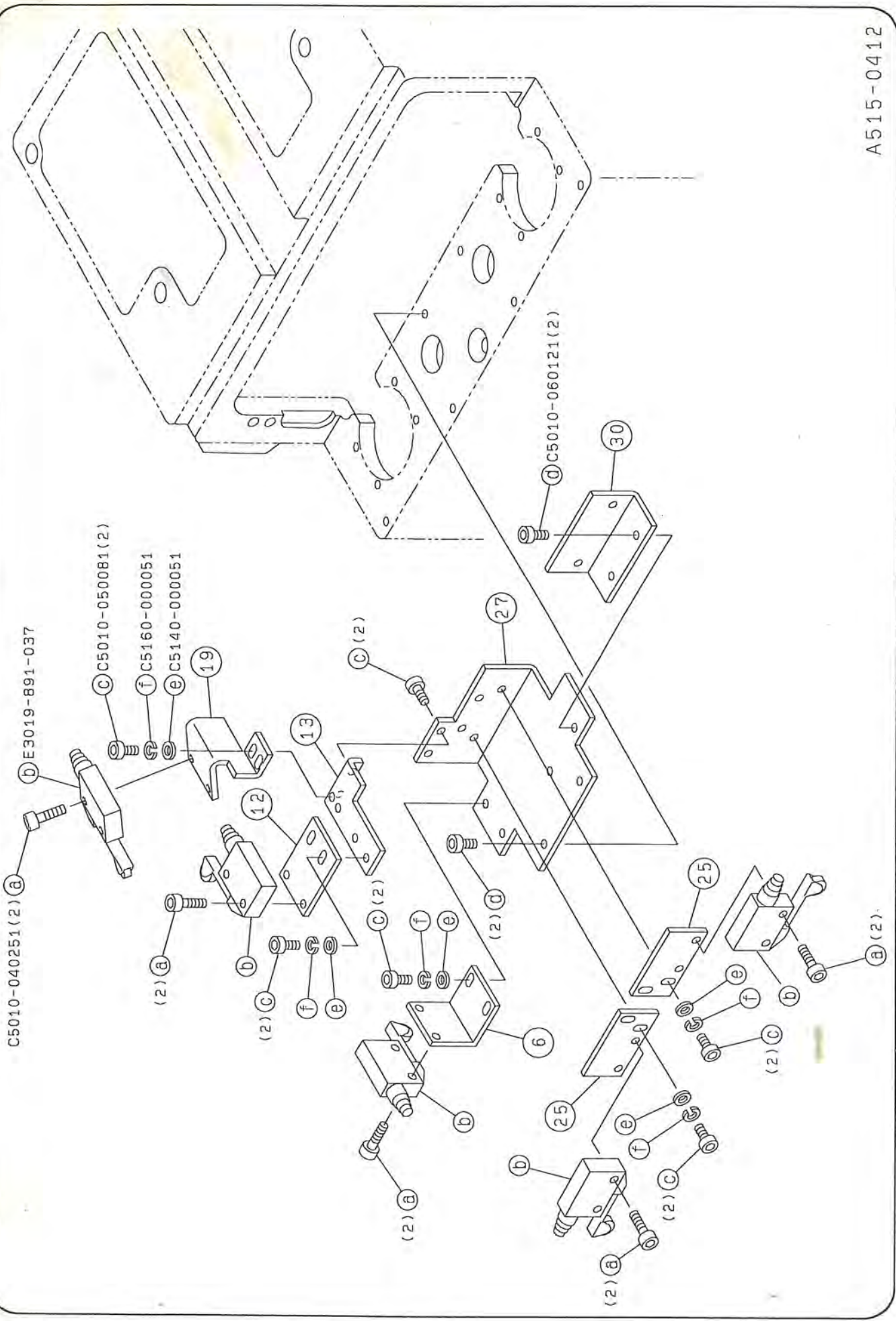
OKUMA Corporation

LR1525C/15C292

A515-0410

SHEET NO. 233 LOCKING DEVICE STROKE SWITCH (AUTO)

9205

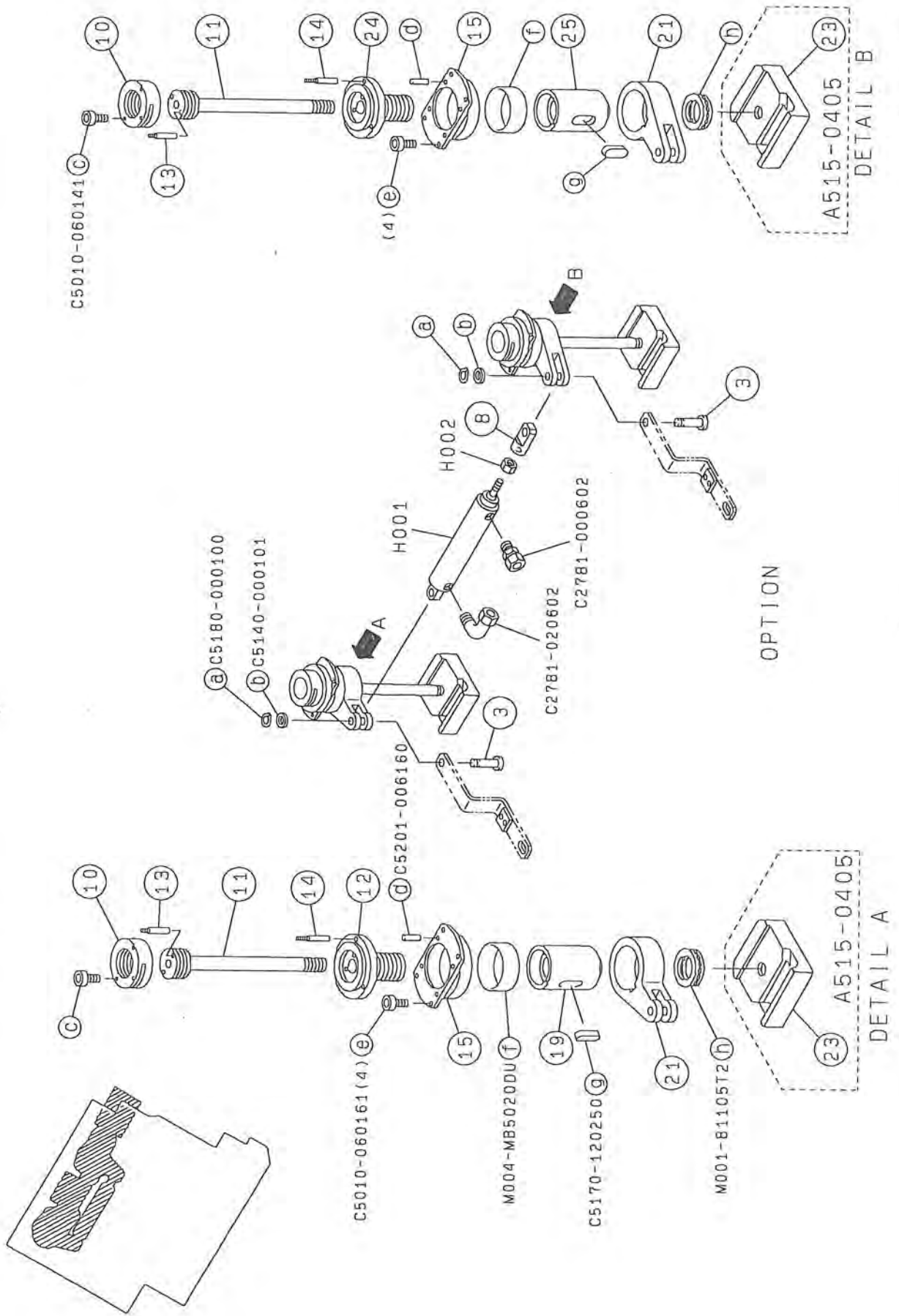


A515-0412

OKUMA CORPORATION

SHEET NO. 234 LOCKING DEVICE (AUTO 1)

9205



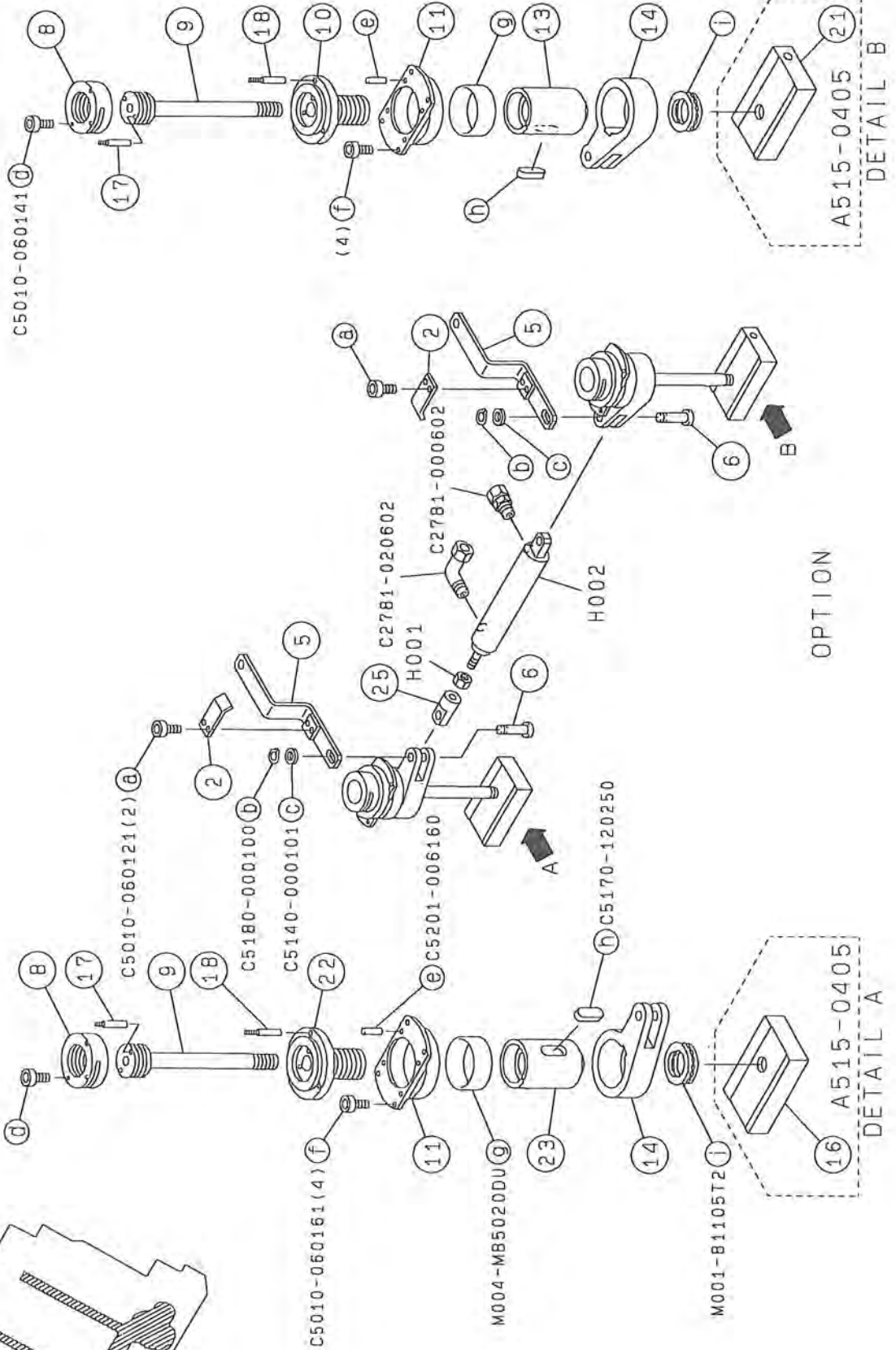
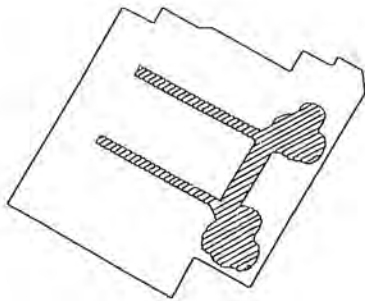
A515-0412

OKUMA Corporation

LR1525C/15C234

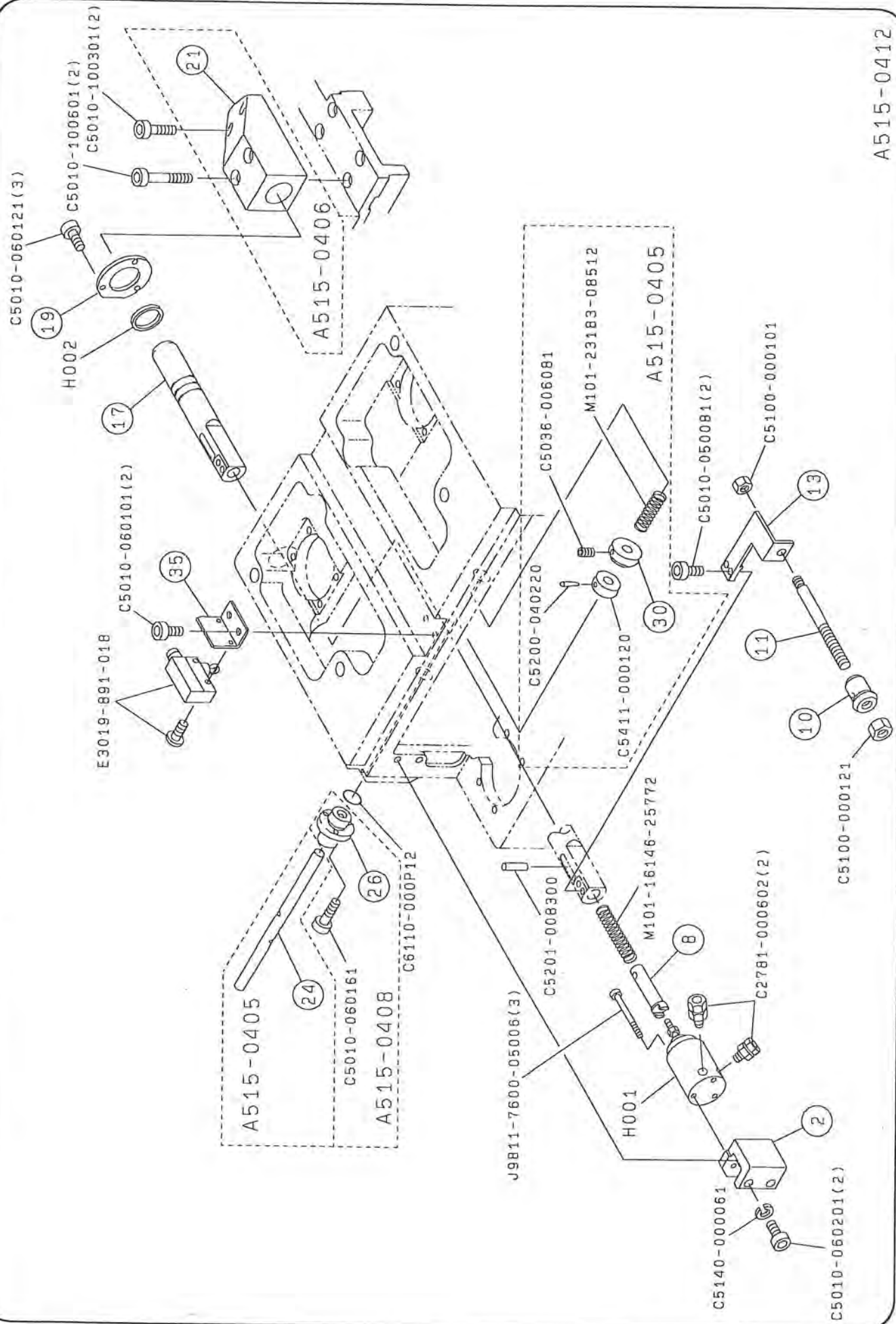
SHEET NO. 235 LOCKING DEVICE (AUTO 2)

9205



SHEET NO. 236 SADDLE TO ALONG (AUTO)

9205



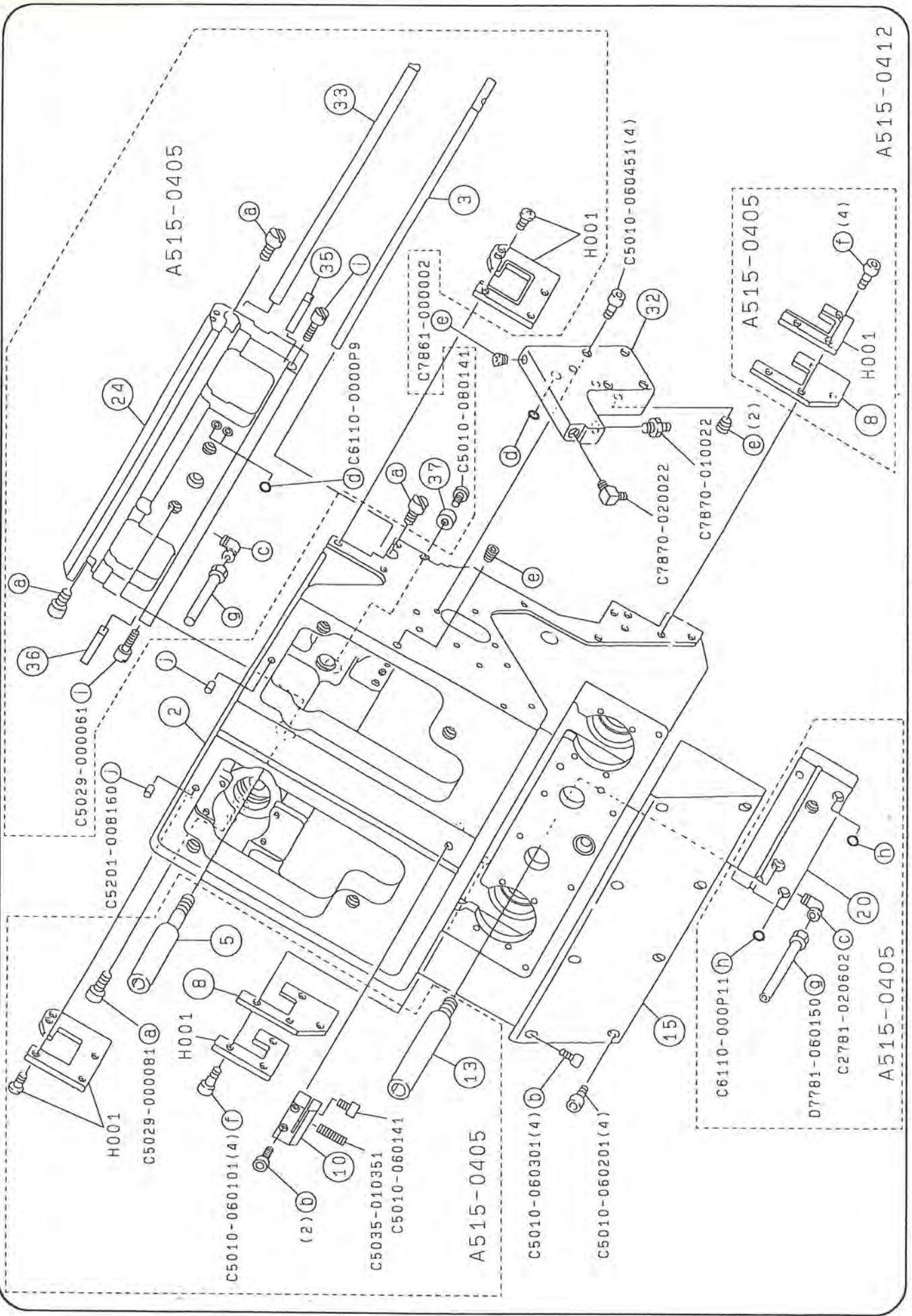
A515-0412

OKUMA Corporation

LR152SC/15C236

SHEET NO. 237 LOWER BASE (AUTO)

9205



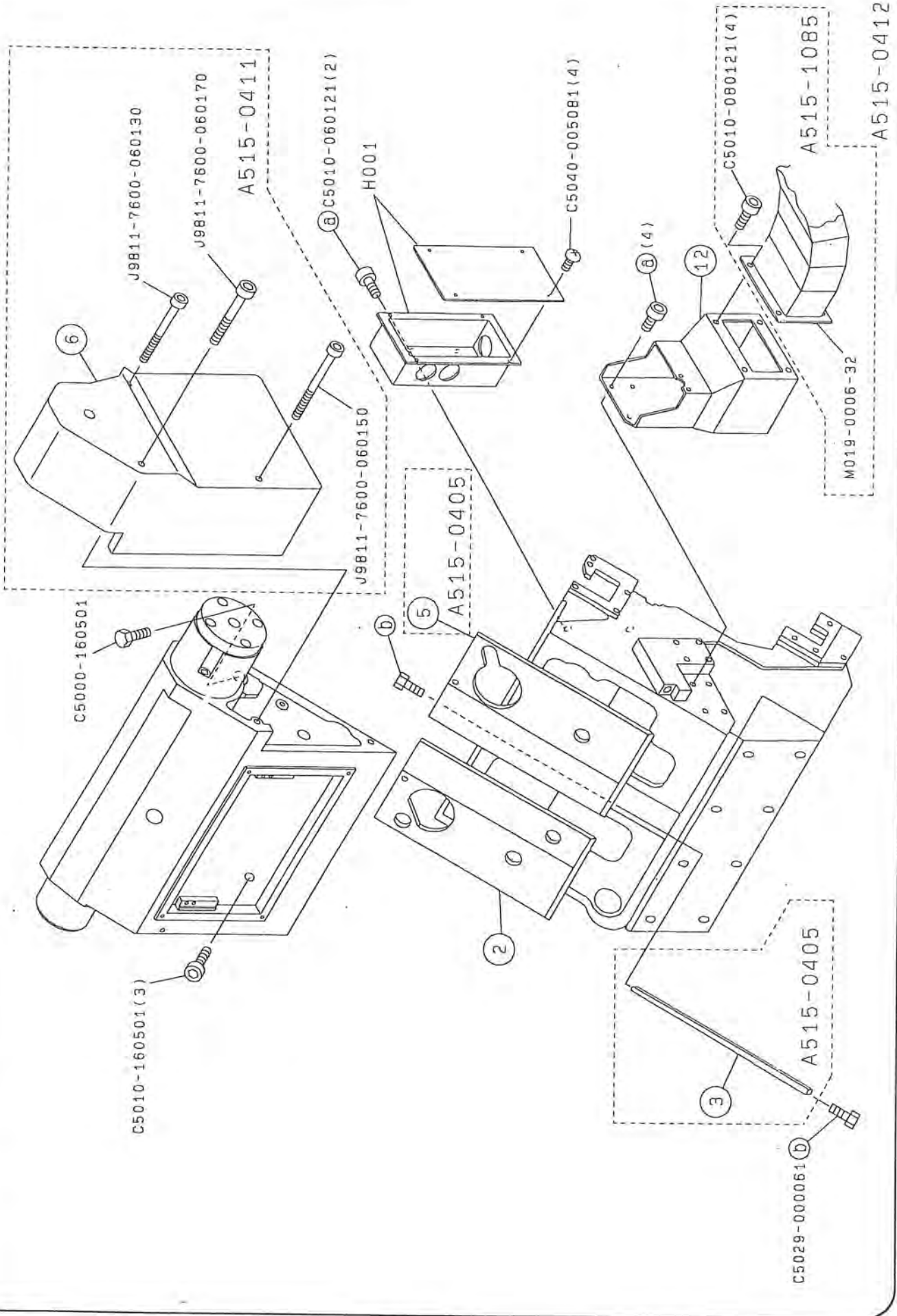
A515-0412

OKUMA Corporation

LR1525C/15C237

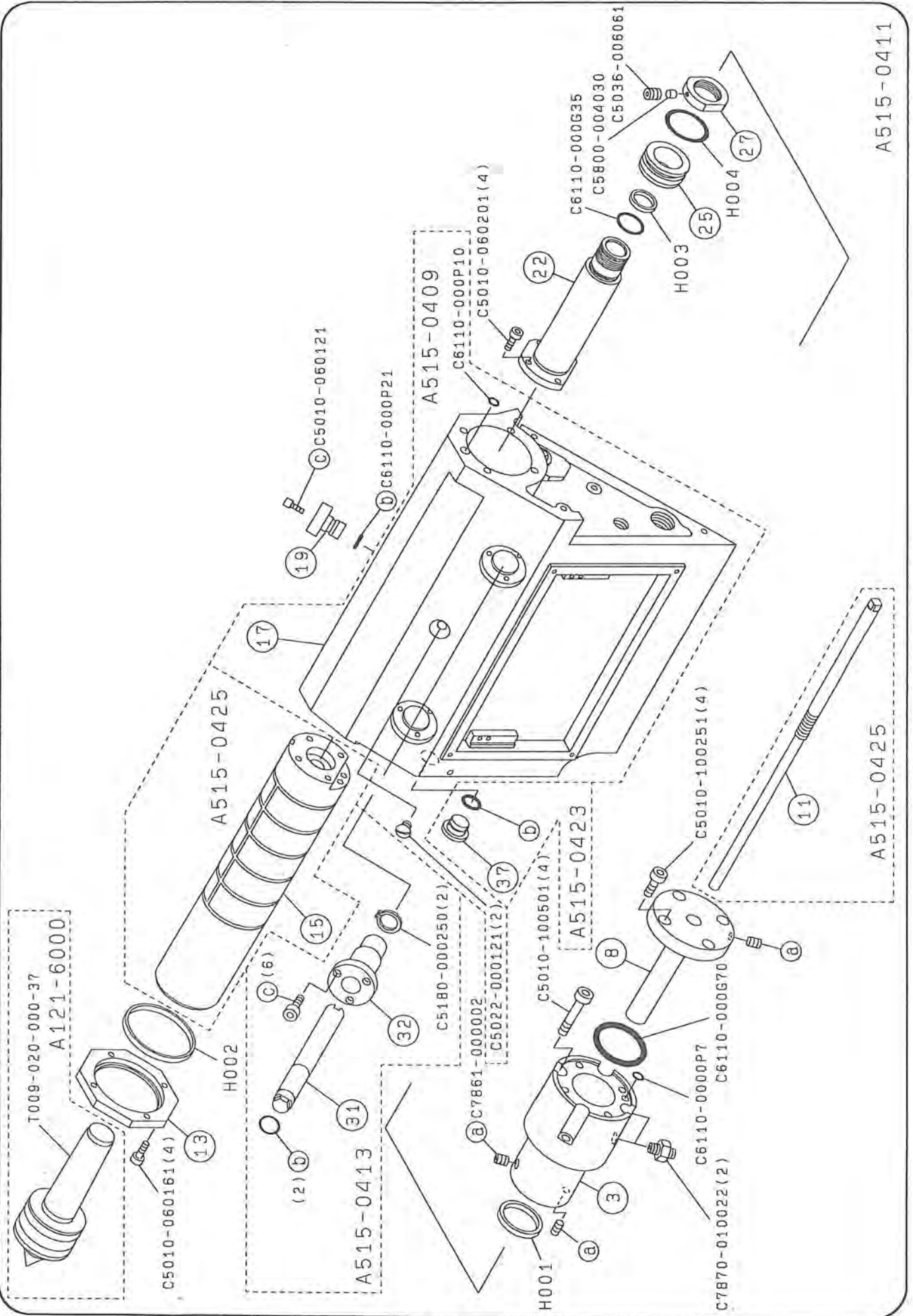
SHEET NO. 238 INSTALLATION (AUTO)

9205



SHEET NO. 239 TAILSTOCK QUILL (MANUAL)

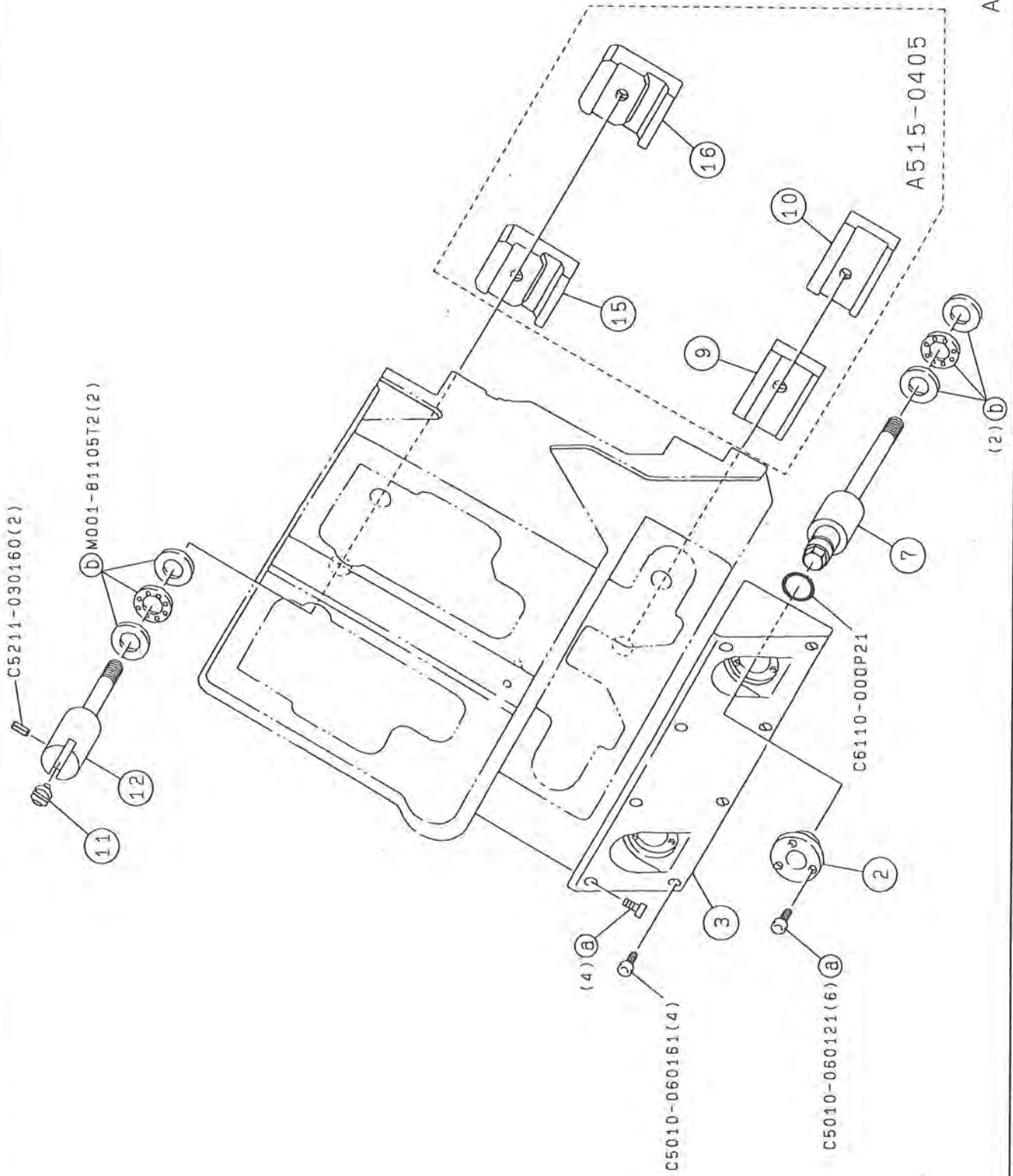
9205



A515-0411

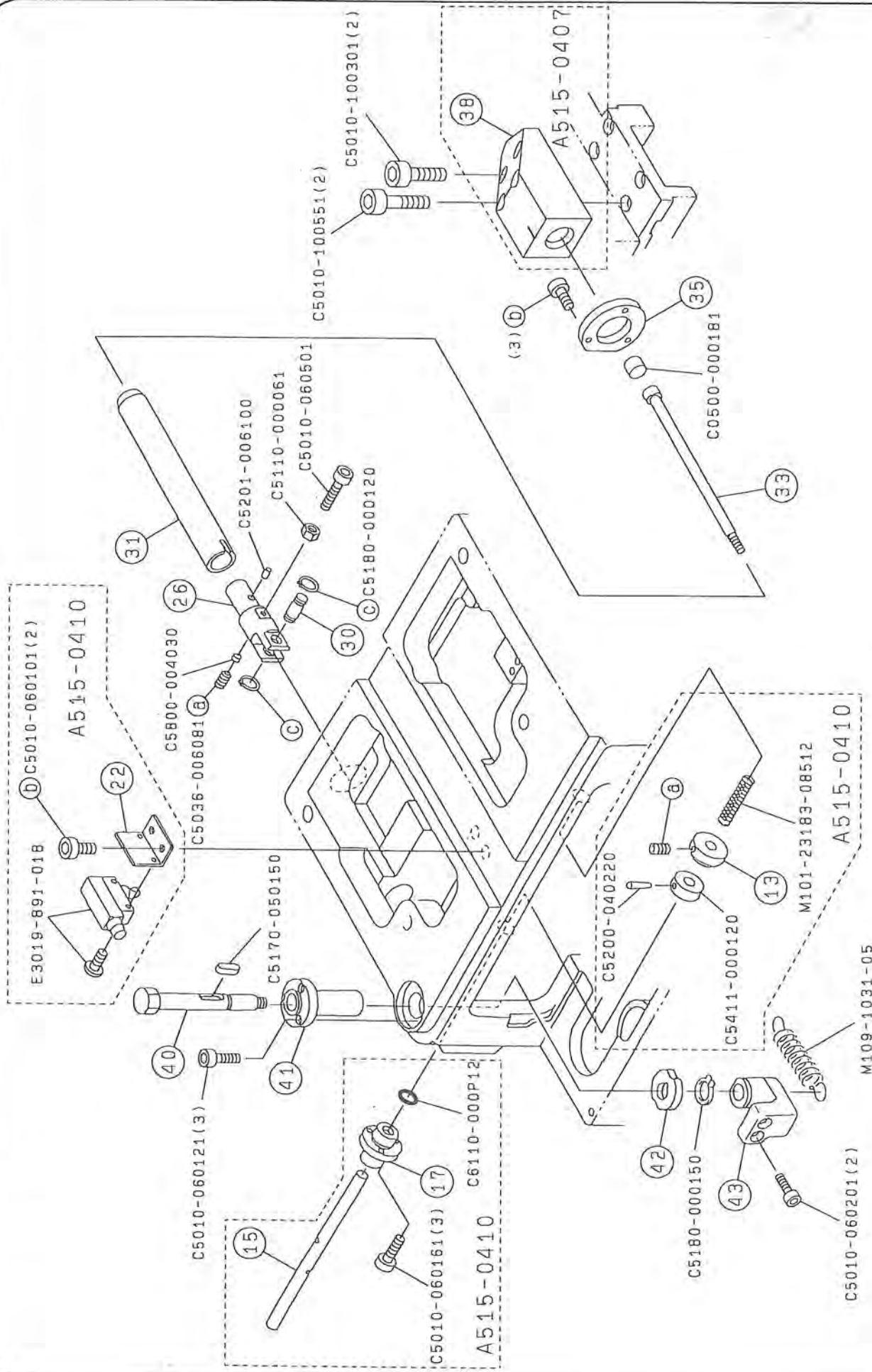
OKUMA Corporation

LR1525C/15C239



SHEET NO. 241 SADDLE TO ALONG (MANUAL)

9205



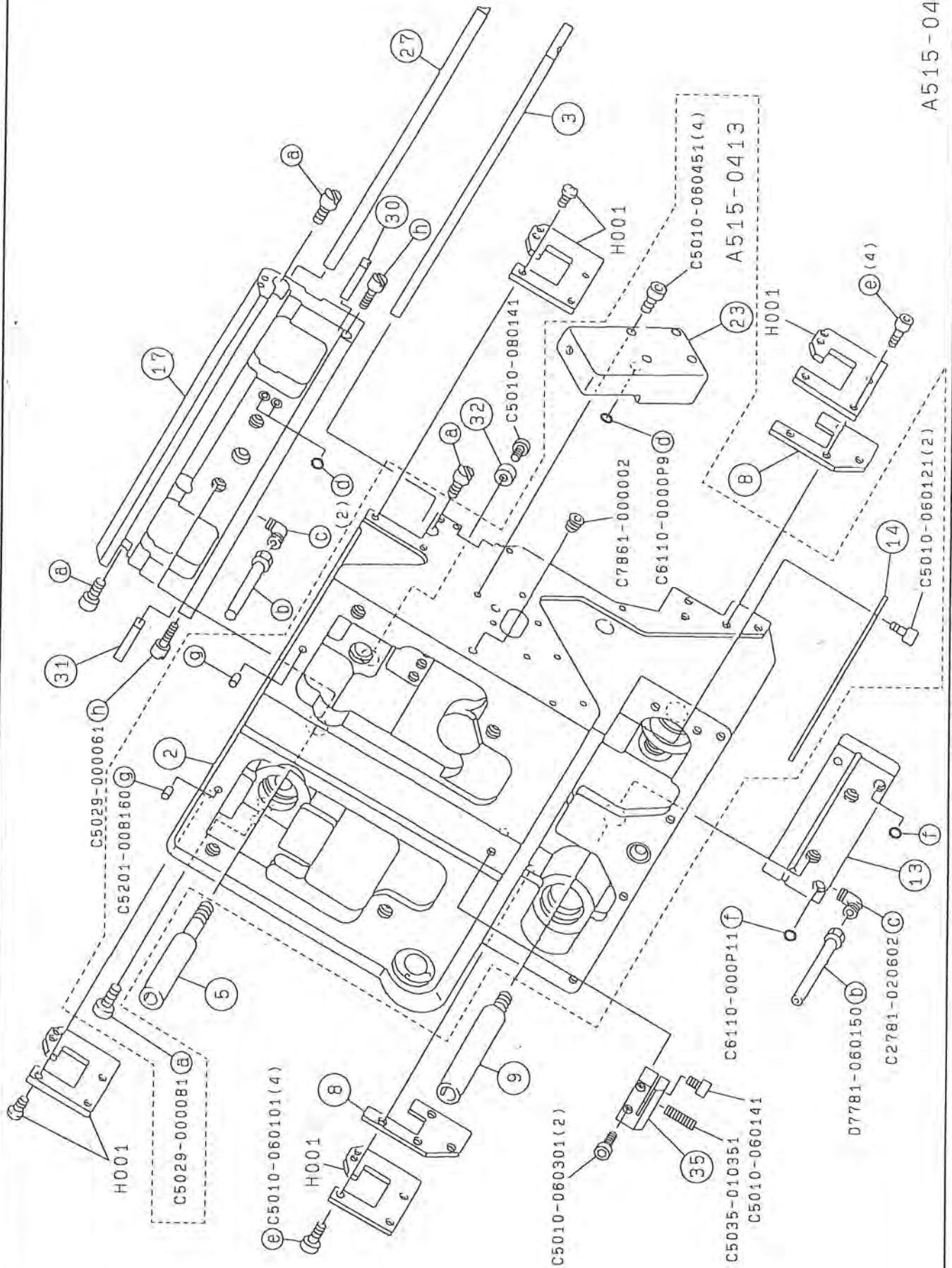
A515-0413

OKUMA Corporation

LR1525C/15C241

SHEET NO. 242 LOWER BASE (MANUAL)

9205



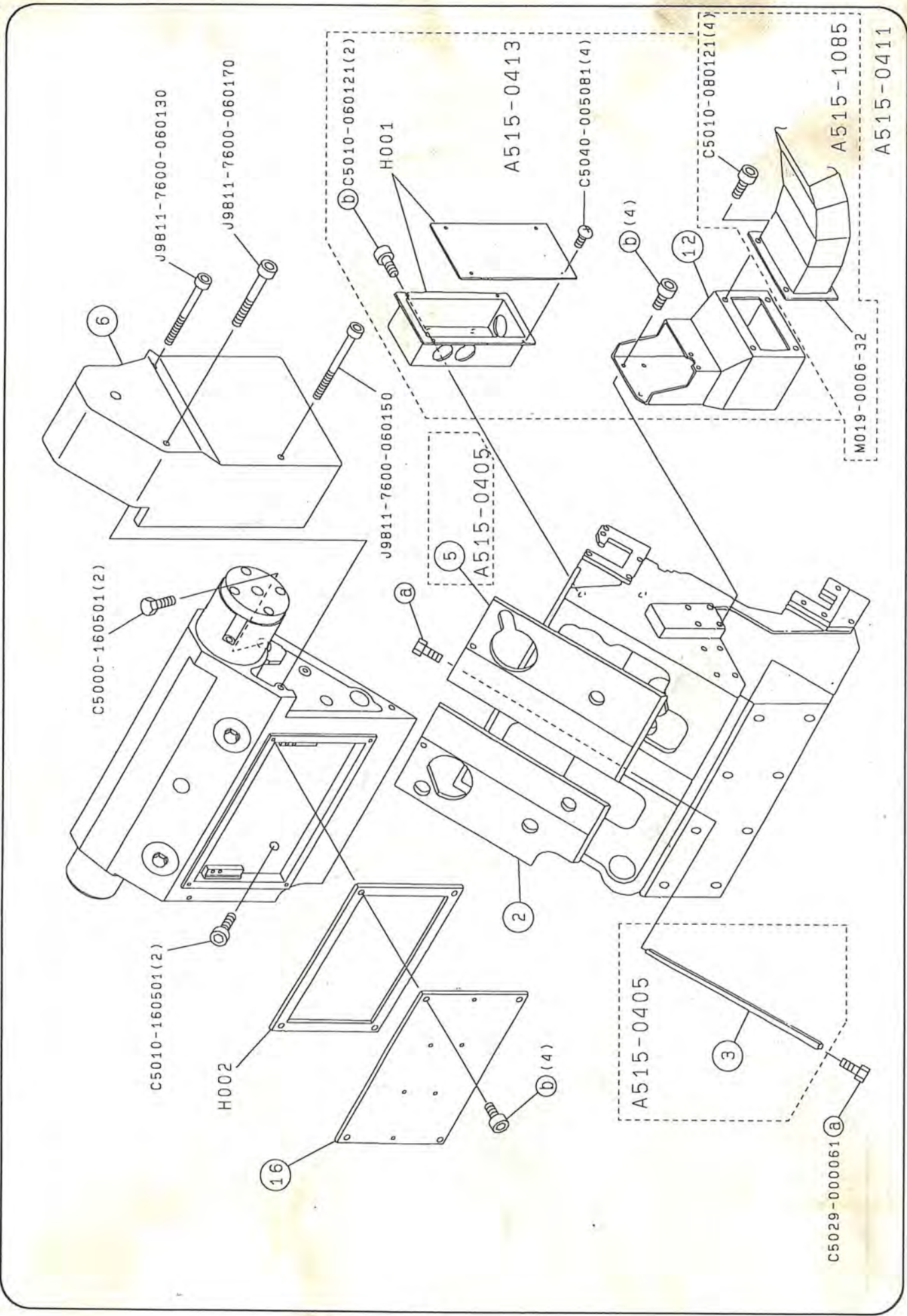
A515-0405

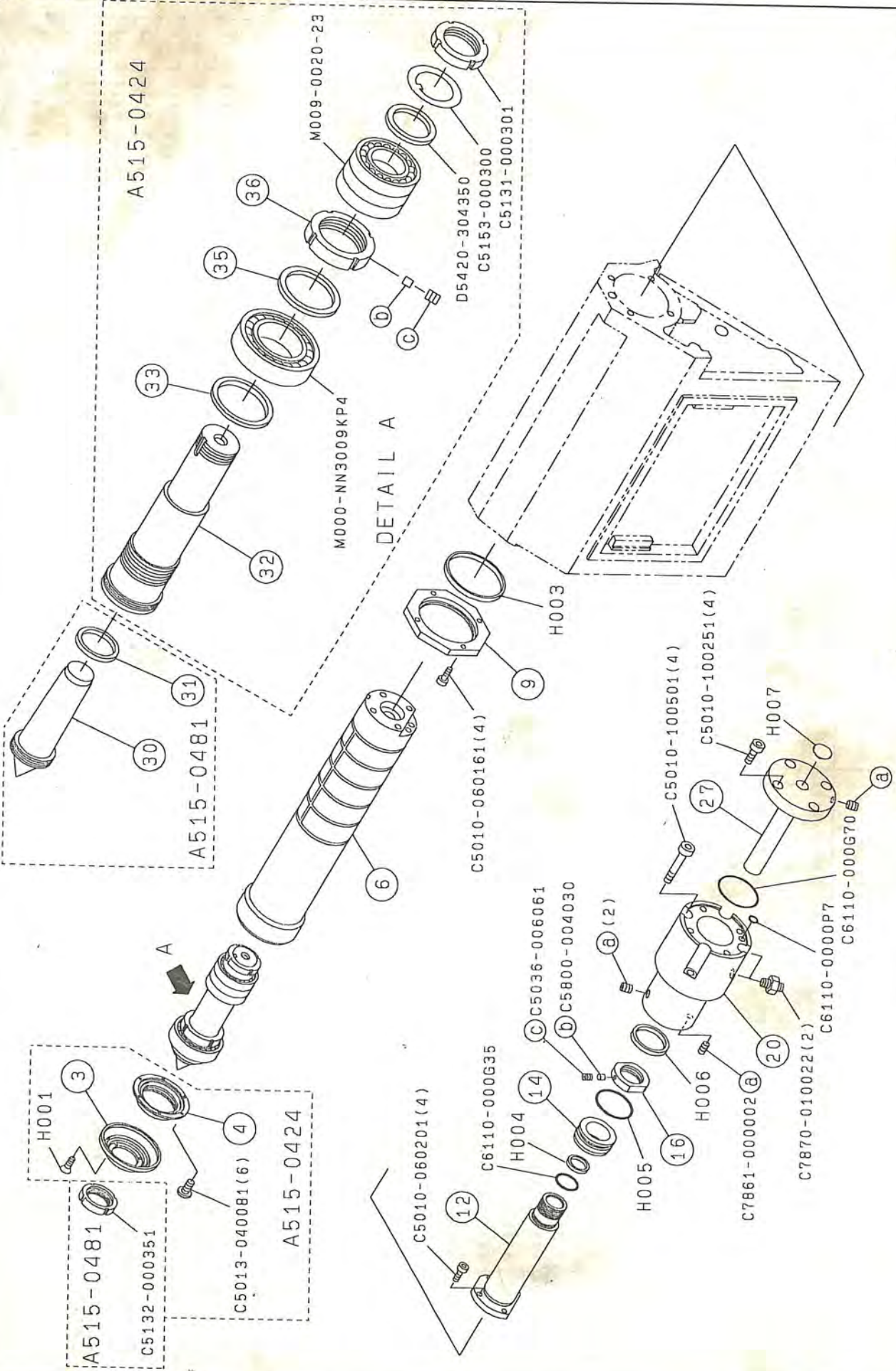
OKUMA Corporation

LR1525C/15C242

SHEET NO. 243 INSTALLATION (MANUAL)

9205





I N D E X N O . L I S T

SHEET - ITEM	PART NO.	DESCRIPTION	UNIT NO.	QTY	SHEET - ITEM	PART NO.	DESCRIPTION	UNIT NO.	QTY
231 -003	515-0440-04	CYLINDER	A515-0411	1	233 -019	515-0401-71	PLATE	A515-0412	1
231 -008	515-0440-06	CAP	A515-0411	1	233 -025	515-0401-69	PLATE	A515-0412	2
231 -011	515-0411-06	SHAFT	A515-0425	1	233 -027	515-0401-68	SUPPORT	A515-0412	1
231 -013	515-0440-03-1	CAP	A515-0411	1	233 -030	515-0401-76	SUPPORT	A515-0412	1
231 -015	515-0411-05	SLEEVE	A515-0425	1					
231 -017	515-0440-12-5	TAILSTOCK	A515-0408	1	234 -003	515-0401-55	PIN	A515-0412	2
231 -019	515-0410-89	KEY	A515-0411	1	234 -008	515-0401-59	JOINT	A515-0412	1
231 -022	515-0440-05-2	SHAFT	A515-0411	1	234 -010	515-0401-56-01	NUT	A515-0412	2
231 -025	515-0410-08	PISTON	A515-0411	1	234 -011	515-0401-58	SHAFT	A515-0412	2
231 -027	515-0410-09	NUT	A515-0411	1	234 -012	515-0401-51	SCREW (LEFT)	A515-0412	1
231 -H001	H0031-0007-53	PACKING CU06, 9KO OSH	A515-0411	1	234 -013	515-0400-62-01	PIN	A515-0412	2
231 -H002	H0031-0009-35	SEAL FD3913A0	A515-0411	1	234 -014	515-0400-61-2	PIN	A515-0412	2
231 -H003	H0031-0008-85	PACKING CU0320K0	A515-0411	1	234 -015	515-0400-24	CAP	A515-0412	2
231 -H004	H0031-0001-05	CAP SEAL DAINICHI	A515-0411	1	234 -019	515-0401-53-01	SCREW (LEFT)	A515-0412	1
232 -002	515-0410-03-3	CAP	A515-0411	1	234 -021	515-0401-54-02	LEVER	A515-0412	2
232 -007	515-0411-02-01	SUPPORT	A515-0420	1	234 -023	515-0401-06-1	PLATE	A515-0405	2
232 -008	515-0220-28-1	PLATE	A515-0420	3	234 -024	515-0401-50	SCREW (RIGHT)	A515-0412	1
232 -009	515-0410-56-5	SHAFT	A515-0420	1	234 -025	515-0401-52-01	SCREW (RIGHT)	A515-0412	1
232 -012	515-0410-98-02	PLATE	A515-0420	1	234 -H001	H0000-0005-69	CYLINDER HORIUCHI	A515-0412	1
232 -013	515-0410-99	PLATE	A515-0420	1	234 -H002	H1005-0003-02	NUT, hex. No3 M10XP 1, 25	A515-0412	1
232 -016	515-0410-97-2	SHAFT	A515-0420	1	235 -002	530-0400-75	DOG	A515-0412	2
232 -018	515-0411-01	PLATE	A515-0420	1	235 -005	515-0401-49-01	LINK	A515-0412	2
232 -021	515-0410-58-1	COLLAR	A515-0420	1	235 -006	515-0401-55	PIN	A515-0412	2
232 -024	515-0410-47-2	SHAFT	A515-0420	1	235 -008	515-0401-56-01	NUT	A515-0412	2
232 -H001	H1020-1075-52	PACKING	A515-0411	1	235 -009	515-0401-57	SHAFT	A515-0412	2
232 -H002	H1001-0010-04	SET-SCREW	A515-0420	1	235 -010	515-0401-50	SCREW (RIGHT)	A515-0412	1
233 -006	515-0401-75-03	SUPPORT	A515-0412	1	235 -011	515-0400-24	CAP	A515-0412	2
233 -012	515-0401-72	PLATE	A515-0412	1	235 -013	515-0401-52-01	SCREW (RIGHT)	A515-0412	1
233 -013	515-0401-70-01	PLATE	A515-0412	1	235 -014	515-0401-54-02	LEVER	A515-0412	2
					235 -016	515-0400-11-4	PLATE	A515-0405	1

INDEX NO. LIST

SHEET -ITEM	PART NO.	DESCRIPTION	UNIT NO.	QTY	SHEET -ITEM	PART NO.	DESCRIPTION	UNIT NO.	QTY
235 -017	515-0400-62-01	PIN	A515-0412	2	237 -020	515-0400-13-4	PLATE	A515-0405	1
235 -018	515-0400-61-2	PIN, parallel 8X16	A515-0412	2	237 -024	515-0401-46-3	PLATE	A515-0405	1
235 -021	515-0400-09-4	PLATE	A515-0405	1	237 -032	515-0401-74	MANIFOLD	A515-0412	1
235 -022	515-0401-51	SCREW (LEFT)	A515-0412	1	237 -033	515-0400-14-2	GIB	A515-0405	1
235 -023	515-0401-53-01	SCREW (LEFT)	A515-0412	1	237 -035	515-0255-28	GIB	A515-0405	1
235 -025	515-0401-59	JOINT	A515-0412	1	237 -036	515-0255-29	GIB	A515-0405	1
235 -H001	H1005-0003-02	NUT, hex 10	A515-0412	1	237 -037	515-0201-08-1	BLOCK	A515-0405	1
235 -H002	H0000-0005-69	CYLINDER M70S-1-C A 25X85	A515-0412	1	237 -H001	H1023-0014-48	WIPER	A515-0405	1
236 -002	515-0401-67-03	BRACKET	A515-0412	1	238 -002	515-0400-15-5	PLATE	A515-0412	1
236 -008	515-0401-64-02	SHAFT	A515-0412	8	238 -003	515-0400-08-1	GIB	A515-0405	1
236 -010	530-0400-75	DOG	A515-0412	1	238 -005	515-0400-16-7	PLATE	A515-0405	1
236 -011	515-0401-63	SHAFT	A515-0412	1	238 -006	515-0440-07-02	COVER	A515-0411	1
236 -013	515-0401-62-01	SUPPORT	A515-0412	1	238 -012	515-0400-56-5	SUPPORT	A515-0412	1
236 -017	515-0401-61-06	SHAFT	A515-0412	1	238 -012	515-0401-03-01	SUPPORT	A515-1086	1
236 -019	515-0400-22-1	CAP	A515-0412	1	238 -H001	H9007-2000-01-04	TERMINAL BOX	A515-0412	1
236 -021	515-0401-60-01	SUPPORT	A515-0406	1					
236 -024	515-0400-05-5	SHAFT	A515-0405	1	239 -003	515-0440-04	CYLINDER	A515-0411	1
236 -026	515-0440-48	BUSHING	A515-0408	1	239 -008	515-0440-06	CAP	A515-0411	1
236 -030	515-0401-73	DOG	A515-0405	1	239 -011	515-0411-06	SHAFT	A515-0425	1
236 -035	515-0400-35-1	SUPPORT	A515-0405	1	239 -013	515-0440-03-1	CAP	A515-0411	1
236 -H001	H0000-0005-87	CYLINDER HORIUCHI MCS-1-10X35-M	A515-0412	1	239 -015	515-0411-05	SLEEVE	A515-0425	1
236 -H002	H0031-0000-09	PACKING	A515-0412	1	239 -017	515-0440-01-7	TAILSTOCK	A515-0409	1
237 -002	515-0401-45-10	BASE	A515-0412	1	239 -019	515-0410-89	KEY	A515-0411	1
237 -003	515-0401-47	GIB	A515-0405	1	239 -022	515-0440-05-2	SHAFT	A515-0411	1
237 -005	515-0401-25	BOLT	A515-0405	2	239 -025	515-0410-08	PISTON	A515-0411	1
237 -008	515-0401-48	PLATE	A515-0405	2	239 -027	515-0410-09	NUT	A515-0411	1
237 -010	515-0400-17-3	SUPPORT	A515-0405	1	239 -031	515-0400-70-3	SHAFT	A515-0413	2
237 -013	515-0401-24	BOLT	A515-0405	2	239 -032	515-0400-69-2	CAP	A515-0413	2
237 -015	515-0400-55-3	COVER	A515-0412	1	239 -037	515-0410-51	CAP	A515-0423	1
					239 -H001	H0031-0007-53	PACKING CU06 9KO OSH	A515-0411	1

SHEET -ITEM	PART NO.	DESCRIPTION	UNIT NO.	QTY	SHEET -ITEM	PART NO.	DESCRIPTION	UNIT NO.	QTY
239 -H002	H0031-0009-35	SEAL FD3913A0	A515-0411	1	242 -005	515-0401-25	BOLT	A515-0405	2
239 -H003	H0031-0008-85	PACKING CU0320K0	A515-0411	1	242 -008	515-0401-48	PLATE	A515-0405	2
239 -H004	H0031-0001-05	CAP SEAL, DAINICHI	A515-0411	1	242 -009	515-0401-24	BOLT	A515-0405	2
240 -002	515-0400-74-2	CAP	A515-0413	2	242 -013	515-0400-13-4	PLATE	A515-0405	1
240 -003	515-0401-18-01	COVER	A515-0413	1	242 -014	515-0400-90-2	PLATE	A515-0413	1
240 -007	515-0401-19-01	BOLT	A515-0413	2	242 -017	515-0401-46-03	PLATE	A515-0405	1
240 -009	515-0400-11-4	PLATE	A515-0405	1	242 -023	515-0401-22-01	BLOCK	A515-0413	1
240 -010	515-0400-09-4	PLATE	A515-0405	1	242 -027	515-0400-14-2	GIB	A515-0405	1
240 -011	515-0400-71-01	BLOCK	A515-0413	2	242 -030	515-0255-28	GIB	A515-0405	1
240 -012	515-0401-17-01	BOLT	A515-0413	2	242 -031	515-0255-29	GIB	A515-0405	1
240 -015	515-0401-06-1	PLATE	A515-0405	1	242 -032	515-0201-08-1	BLOCK	A515-0405	1
240 -016	515-0401-06-1	PLATE	A515-0405	1	242 -035	515-0400-17-3	SUPPORT	A515-0405	1
241 -013	515-0401-73	DOG	A515-0410	1	242 -H001	H1023-0014-48	WIPER	A515-0405	1
241 -015	515-0400-05-5	SHAFT	A515-0410	1	243 -002	515-0400-91-5	PLATE	A515-0413	1
241 -017	515-0401-04-2	BUSHING	A515-0410	1	243 -003	515-0400-08-1	GIB	A515-0405	1
241 -022	515-0400-35-1	SUPPORT	A515-0410	1	243 -005	515-0400-16-7	PLATE	A515-0405	1
241 -026	515-0400-81-5	JOINT	A515-0413	1	243 -006	515-0440-07-02	COVER	A515-0411	1
241 -030	515-0400-82	PIN	A515-0413	1	243 -012	515-0400-56-5	SUPPORT	A515-0413	1
241 -031	515-0401-13-3	PIN, steel	A515-0413	1	243 -012	515-0401-03-01	SUPPORT	A515-1086	1
241 -033	515-0401-14	BOLT	A515-0413	1	243 -016	515-0410-03-3	CAP	A515-0411	1
241 -035	515-0400-77-2	CAP	A515-0413	1	243 -H001	H9007-2000-01-04	TERMINAL BOX	A515-0413	1
241 -038	515-0401-20-01	BLOCK	A515-0407	1	243 -H002	H1020-1075-52	PACKING	A515-0411	1
241 -040	515-0400-94-2	SHAFT	A515-0413	1	244 -003	515-0410-31-2	COVER	A515-0424	1
241 -041	515-0400-93-3	CAP	A515-0413	1	244 -004	515-0410-32-3	COVER	A515-0424	1
241 -042	515-0400-92-1	CAM	A515-0413	1	244 -006	515-0410-79-4	SLEEVE	A515-0424	1
241 -043	515-0400-95-4	SUPPORT	A515-0413	1	244 -009	515-0440-03-1	CAP	A515-0411	1
242 -002	515-0401-21-8	BASE	A515-0413	1	244 -012	515-0440-05-2	SHAFT	A515-0411	1
242 -003	515-0401-47	GIB	A515-0405	1	244 -014	515-0410-08	PISTON	A515-0411	1
					244 -016	515-0410-09	NUT	A515-0411	1

INDEX NO. LIST

9205

SHEET - ITEM	PART NO.	DESCRIPTION	UNIT NO.	QTY	SHEET - ITEM	PART NO.	DESCRIPTION	UNIT NO.	QTY
244 -020	515-0440-04	CYLINDER	A515-0411	1					
244 -027	515-0440-06	CAP	A515-0411	1					
244 -030	515-0410-30-01	CENTER	A515-0481	1					
244 -031	515-0410-39-2	COLLAR	A515-0481	1					
244 -032	515-0410-29-4	SHAFT	A515-0424	1					
244 -033	515-0410-35	COLLAR	A515-0424	1					
244 -035	515-0410-33	COLLAR	A515-0424	1					
244 -036	515-0410-34-01	NUT	A515-0424	1					
244 -H001	H1001-0014-10	BOLT GOSHO 4X10	A515-0424	4					
244 -H003	H0031-0009-35	DUST SEAL NOK DK1	A515-0411	1					
244 -H004	H0031-0008-85	FD3913A0 PACKING NOK USH C	A515-0411	1					
244 -H005	H0031-0001-05	U320K0 CAP, seal DAINICHI	A515-0411	1					
244 -H006	H0031-0007-53	CAP-1BE-50A PACKING NOK USH C	A515-0411	1					
244 -H007	H1020-1102-25	U0619K0 50X60X6 PLUG 30X9	A515-0411	1					

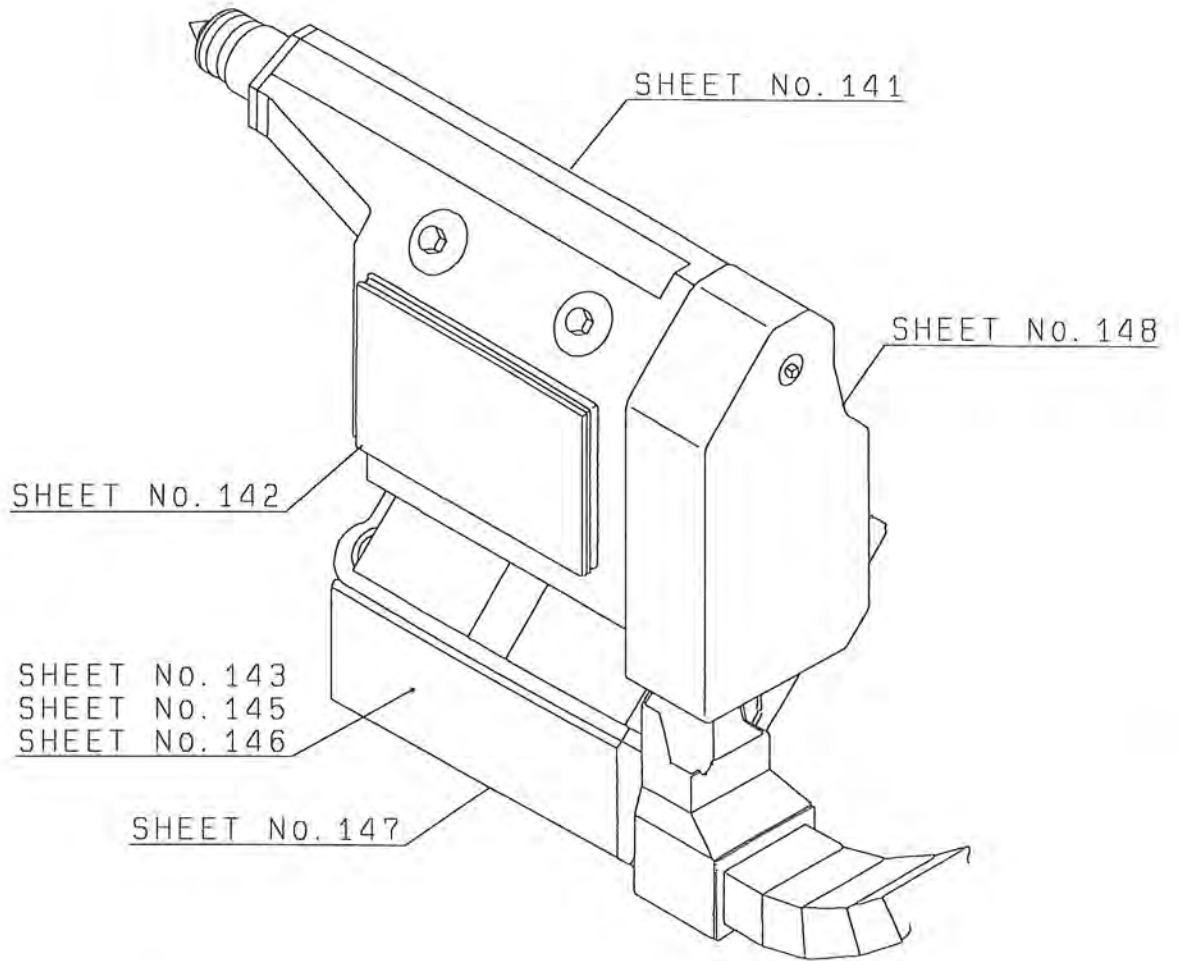
OKUMA Corporation

LR15 ISC 13

PURCHASE PARTS LIST

PARTS NO.	DESCRIPTION	PARTS NO.	DESCRIPTION
E3019-891-018 E3019-891-037 E3020-397-101	L. S. YAMATAKE SL1-D L. S. YAMATAKE SL1-P SENSOR OMRON TL-T2E1		
M000-NN3009KP4 M001-81105T2 M004-MB5020DU M009-0020-23 M019-0006-32 M101-16146-25772 M101-23183-08512 M109-1031-05	ROLLER BEARING NN3009KP4 BALL BEARING NTN 81105T2 BEARING DAIDO MB5020DU ROLLER BEARING HOSE KINJYO SPRING 1.6X14.6X257X72 SPRING 2.3X18.3X85X12 SPRING SWPA 2.3X17X60X13		
T009-020-000-37	CENTER MTN05		



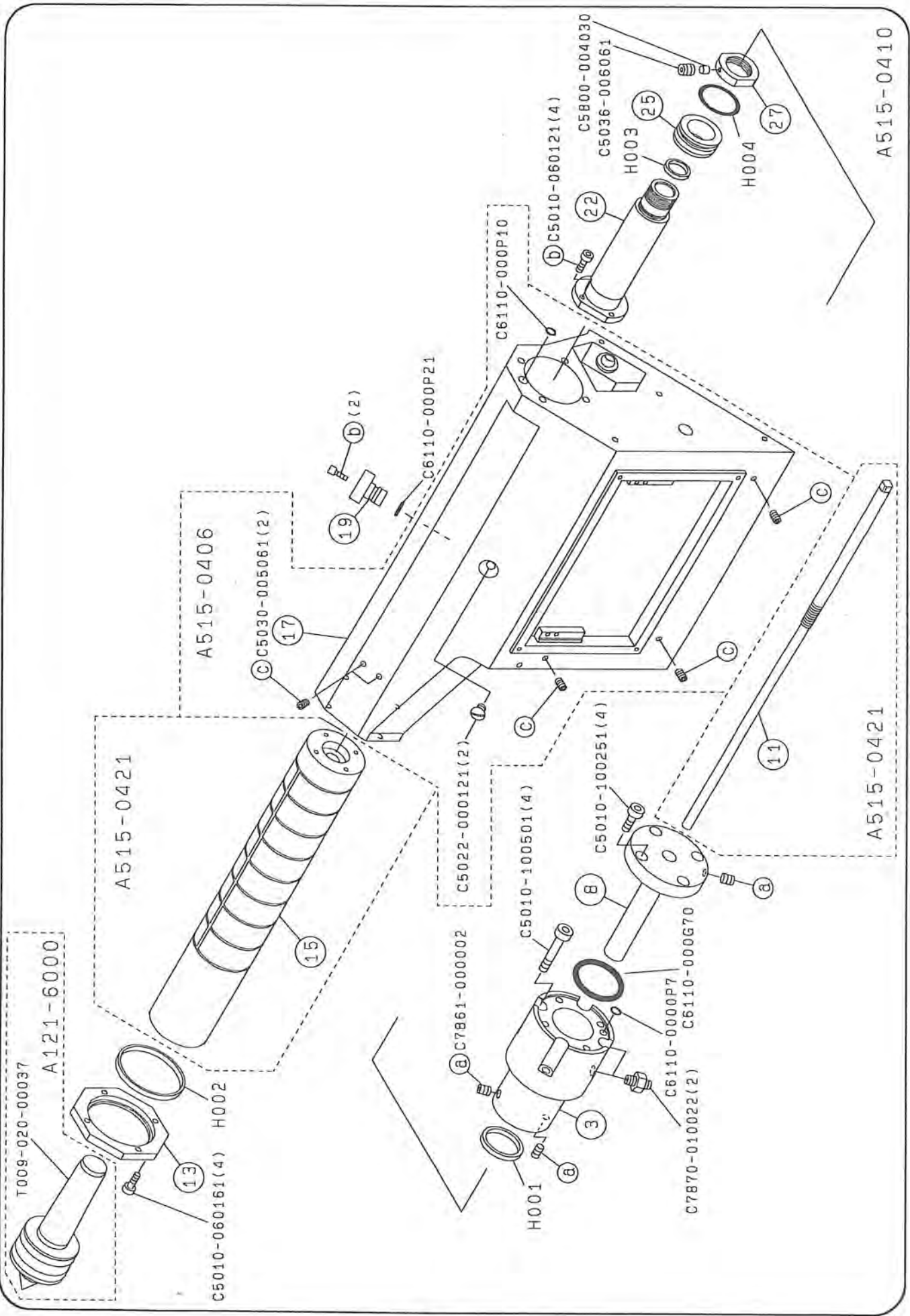


~ CONTENTS ~

SHEET NO.	ASSEMBLY NAME	PAGE
141	TAILSTOCK QUILL (AUTO)	482
142	QUILL STROKE SWITCH (AUTO)	483
143	LOCKING DEVICE STROKE SWITCH (AUTO)	484
144	LOCKING DEVICE (AUTO 1)	485
145	LOCKING DEVICE (AUTO 2)	486
146	SADDLE TO ALONG (AUTO)	487
147	LOWER BASE (AUTO)	488
148	INSTALLATION (AUTO)	489
149	TAILSTOCK QUILL (MANUAL)	490
150	LOCKING DEVICE (MANUAL)	491
151	SADDLE TO ALONG (MANUAL)	492
152	LOWER BASE (MANUAL)	493
153	INSTALLATION (MANUAL)	494
154	LIVE CENTER	495
I	INDEX NO. LIST	496
P/P	PURCHASE PARTS LIST	497

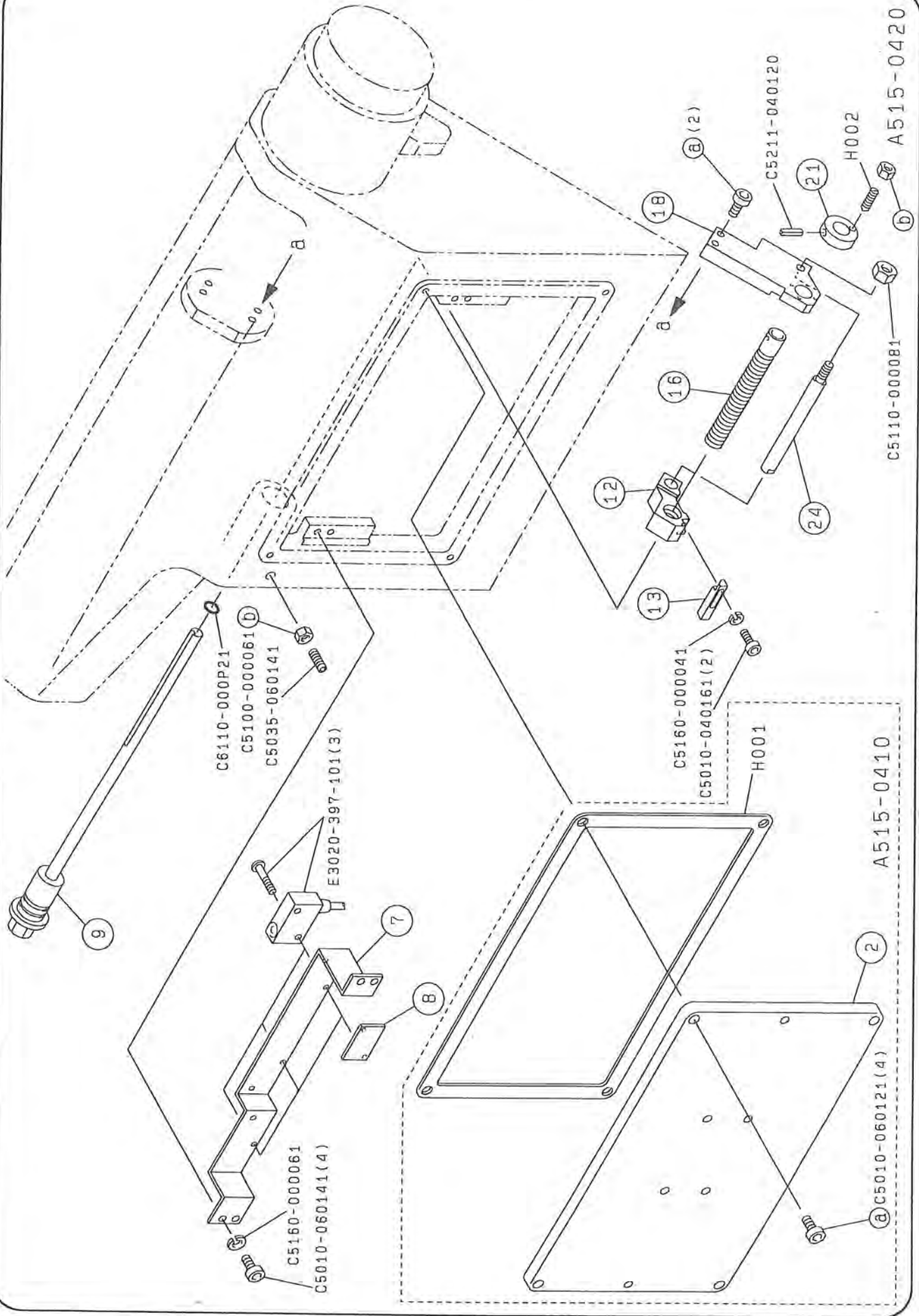
SHEET NO. 141 TAILSTOCK QUILL (AUTO)

9205



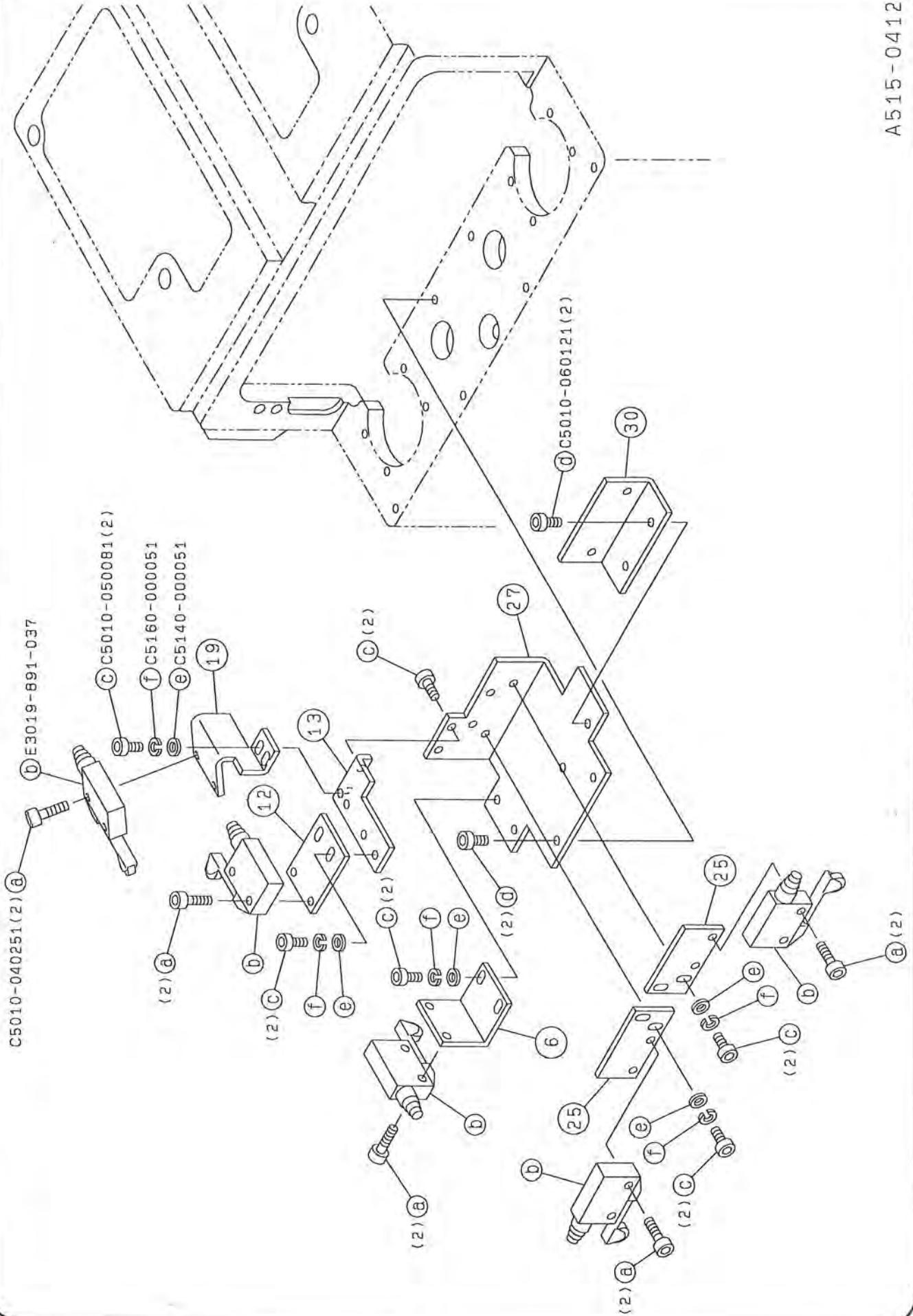
SHEET NO. 142 QUILL STROKE SWITCH (AUTO)

9205



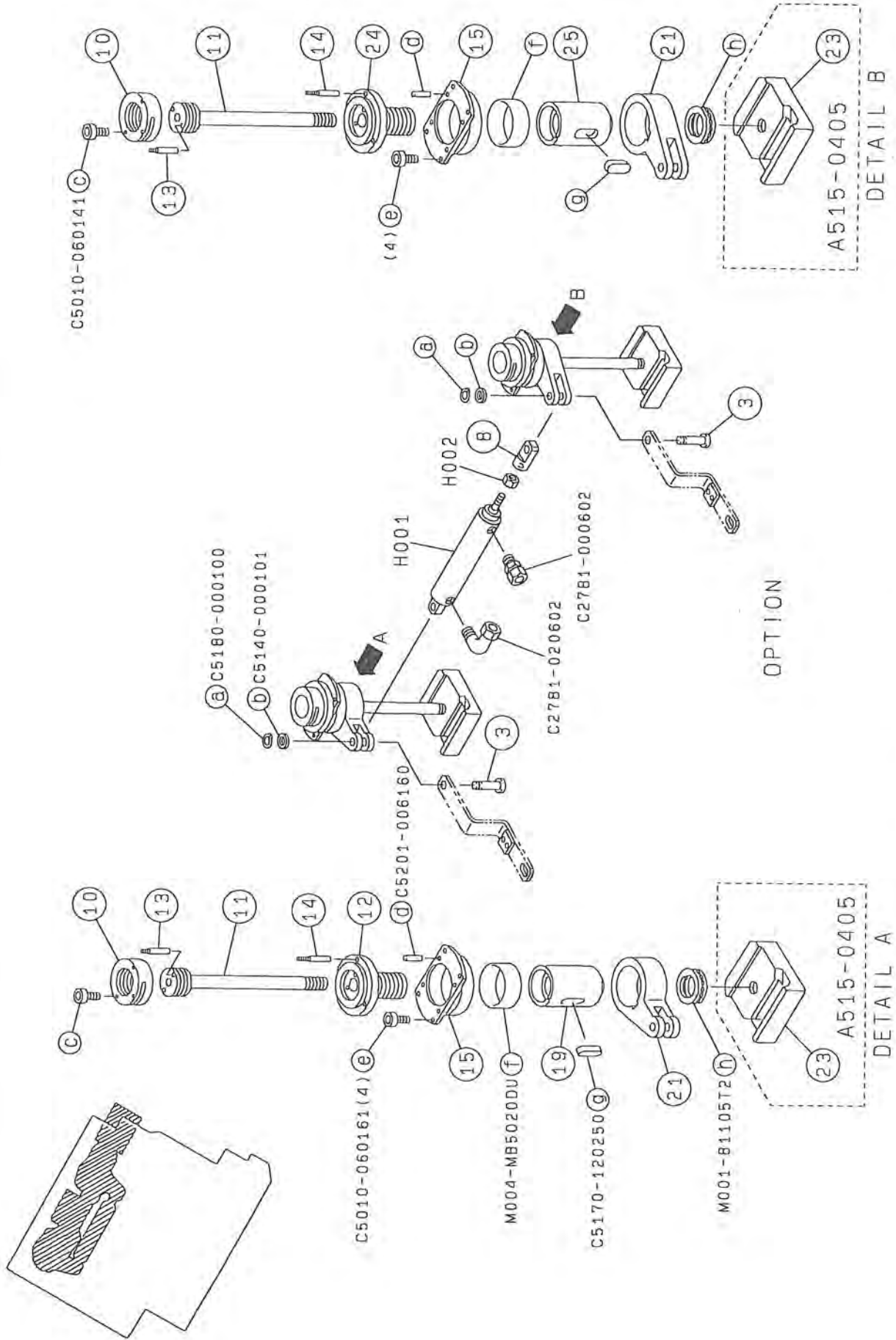
SHEET NO. 143 LOCKING DEVICE STROKE SWITCH (AUTO)

9205



SHEET NO. 144 LOCKING DEVICE (AUTO 1)

9205



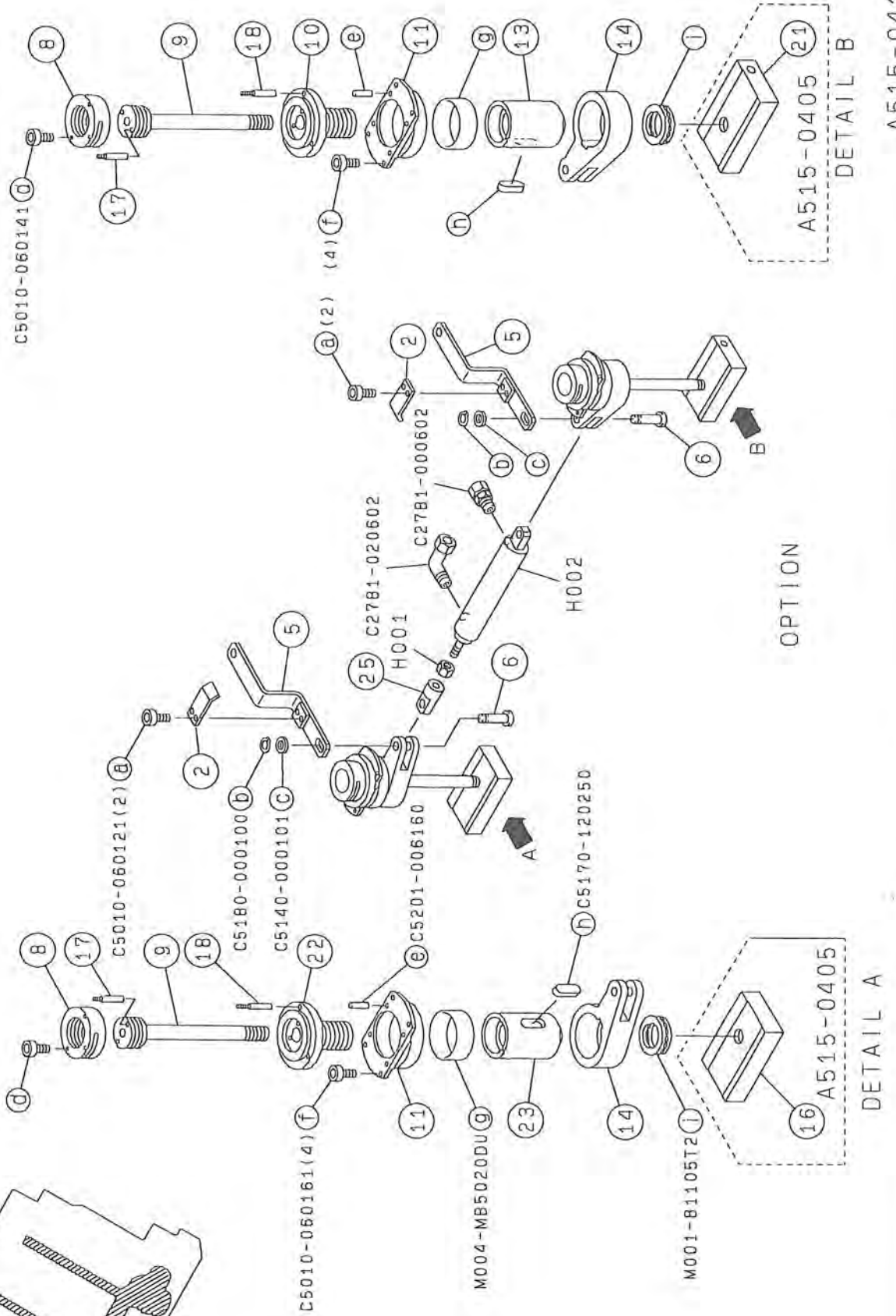
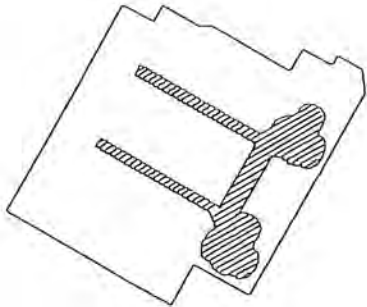
A515-0412

OKUMA Corporation

LR1525C/15C144

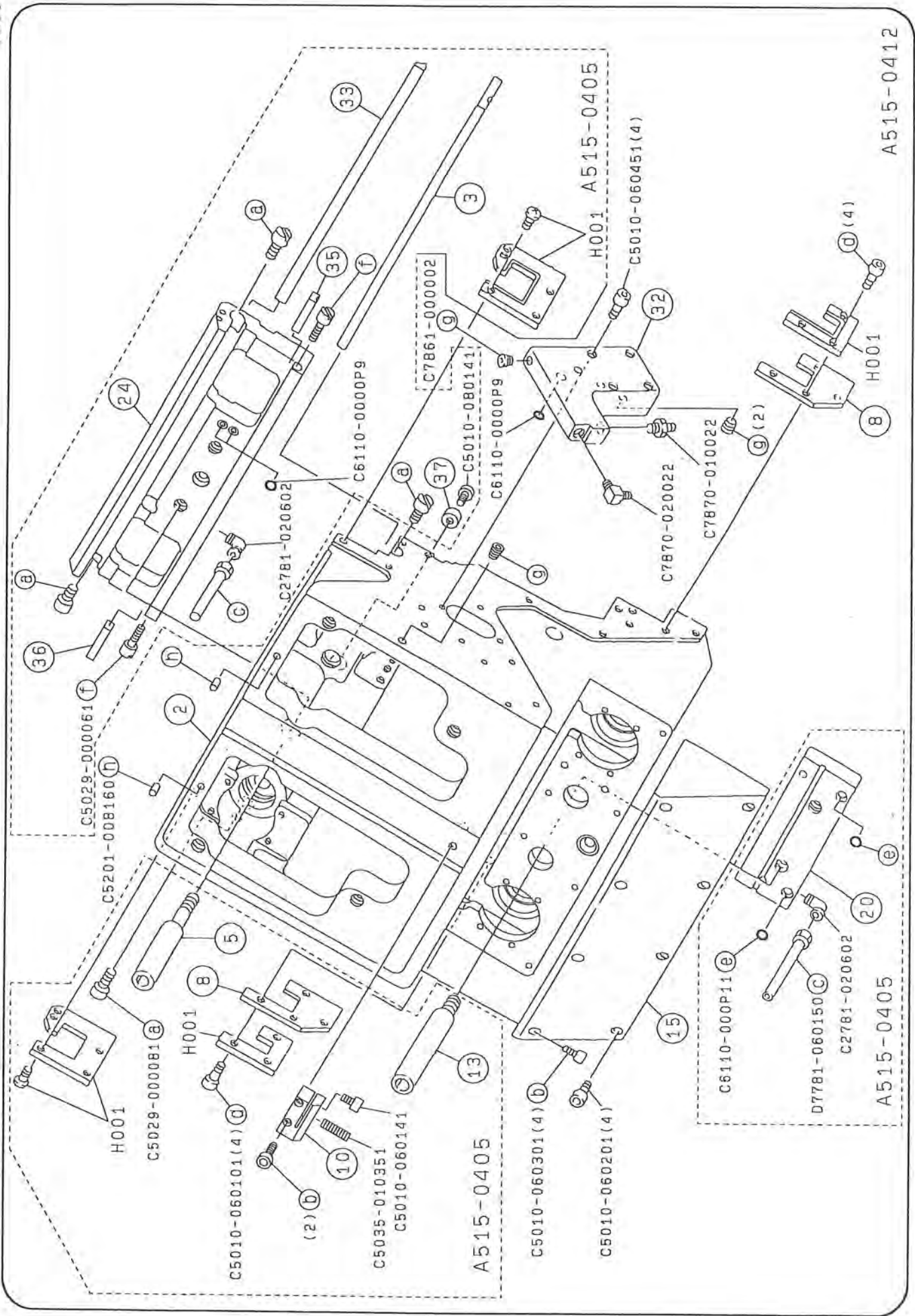
SHEET NO. 145 LOCKING DEVICE (AUTO 2)

9205



SHEET NO. 147 LOWER BASE (AUTO)

9205



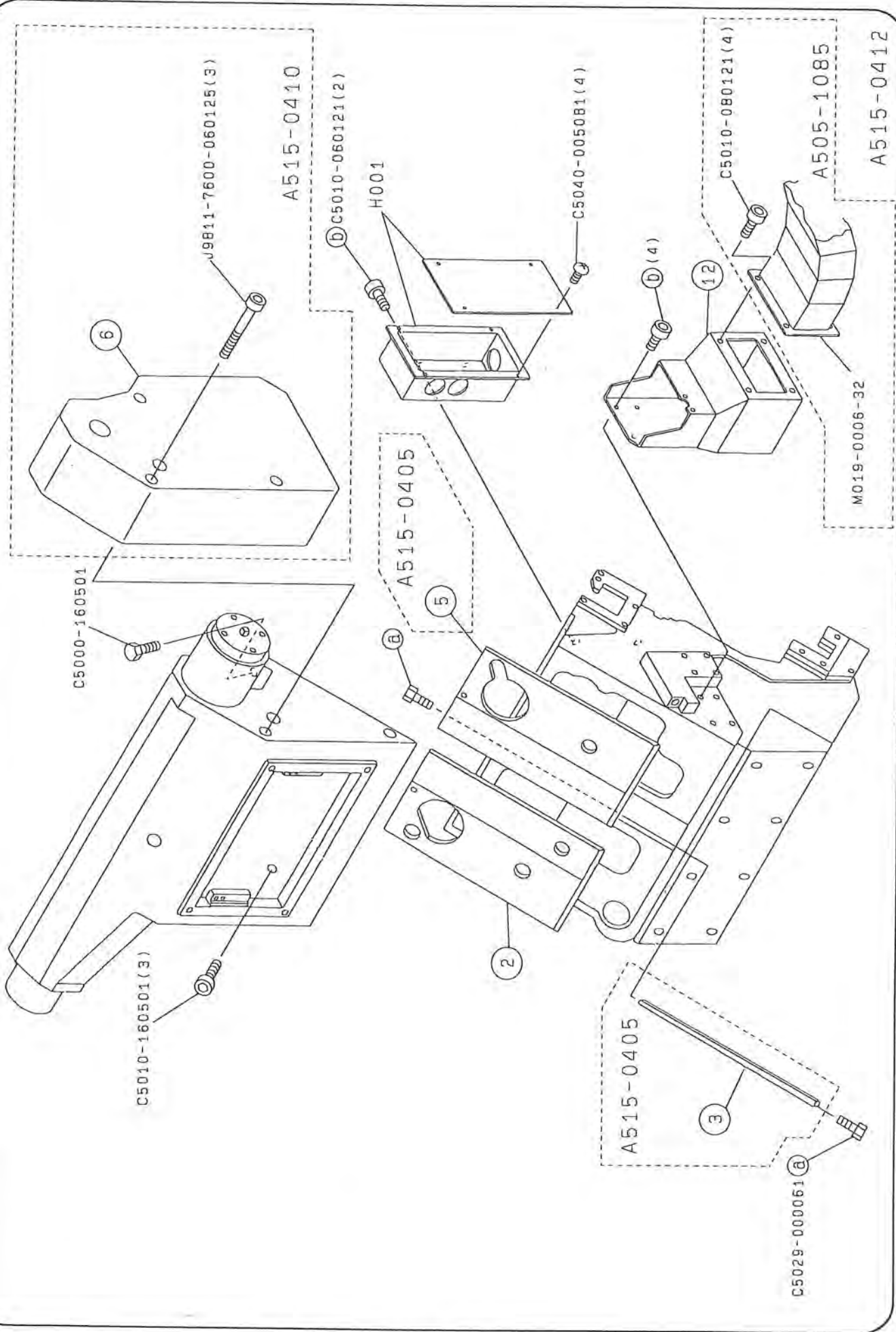
A515-0412

OKUMA Corporation

LR1525C/15C147

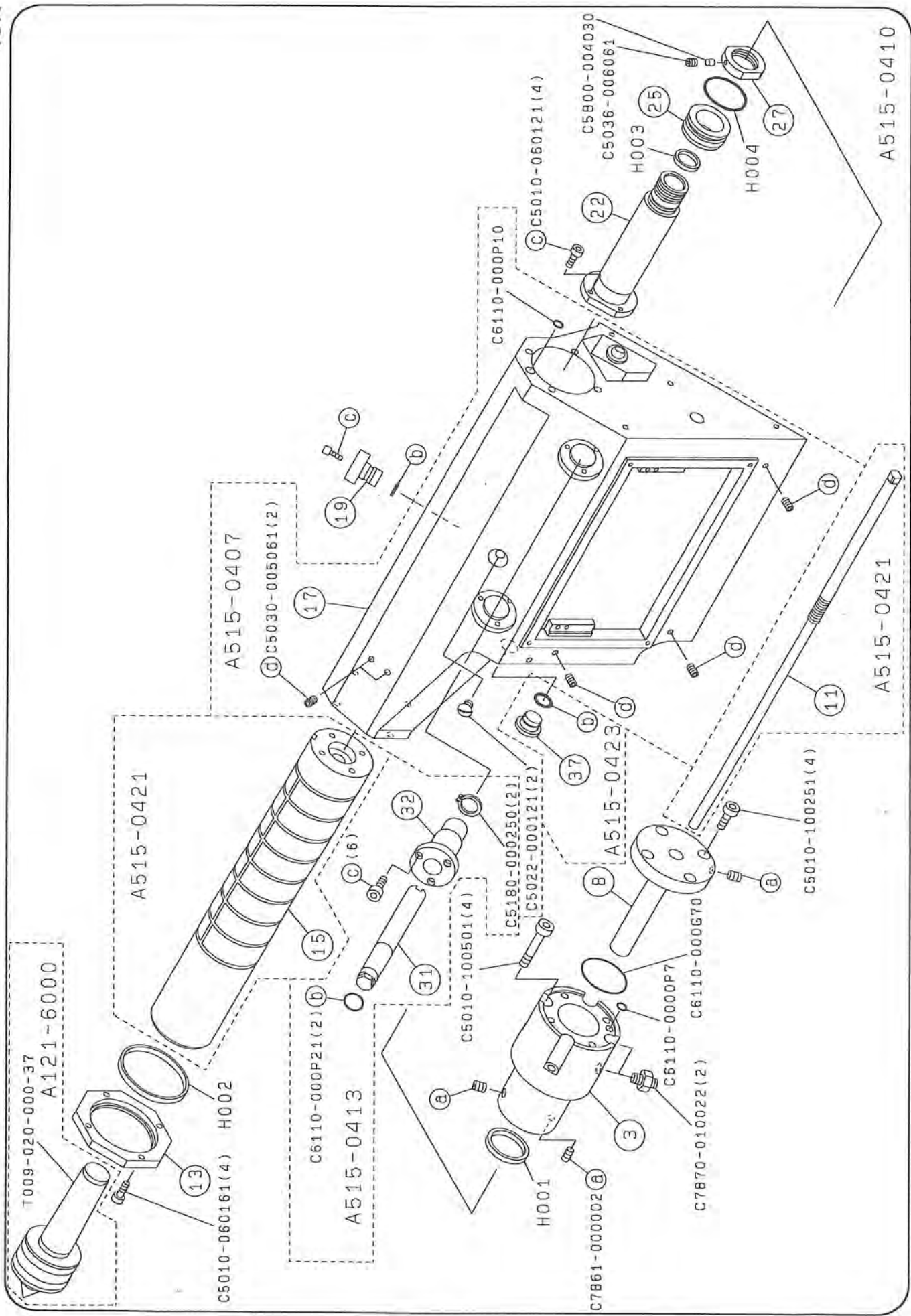
SHEET NO. 148 INSTALLATION (AUTO)

9205



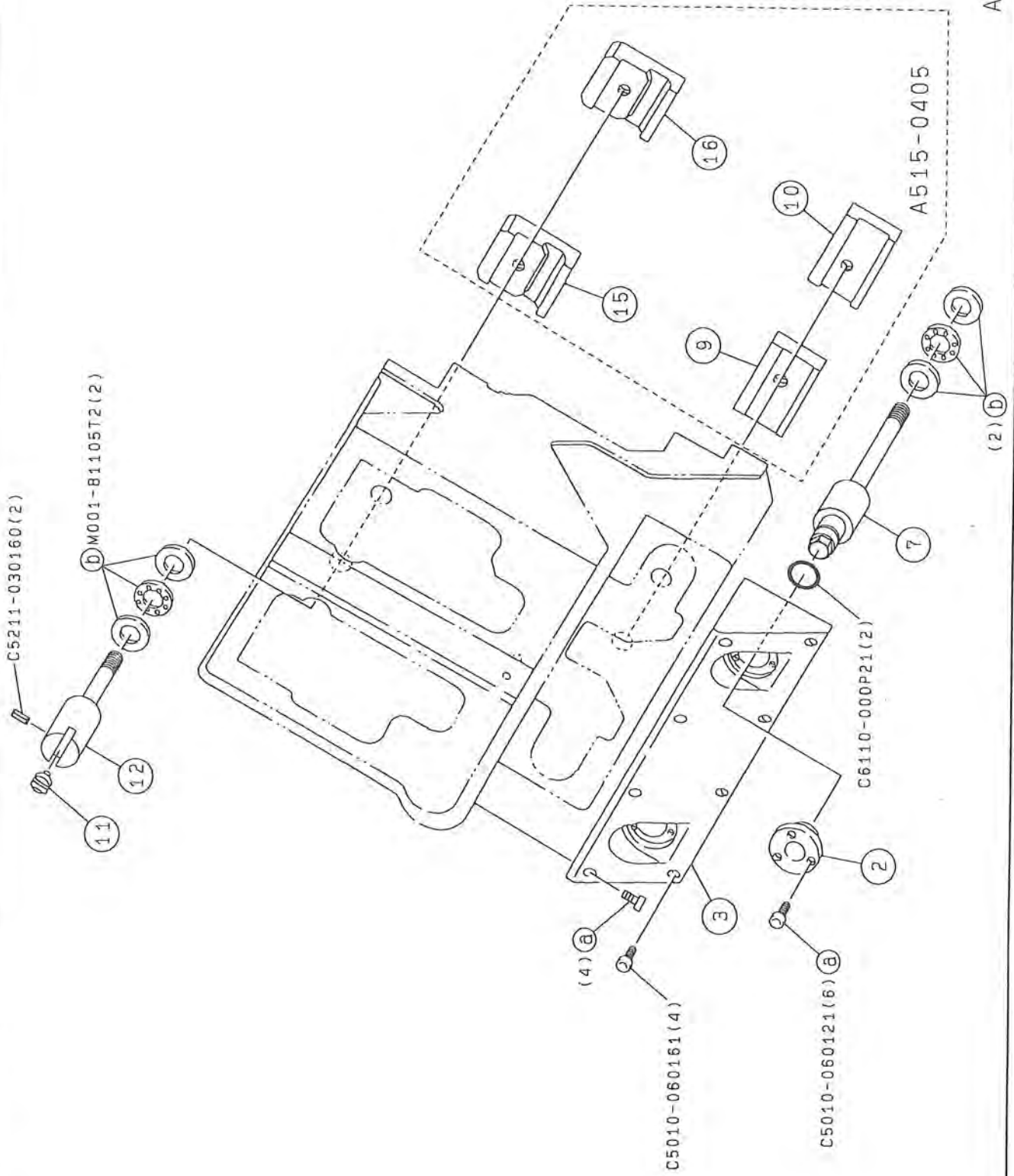
SHEET NO. 149 TAILSTOCK QUILL (MANUAL)

9205



SHEET NO. 150 LOCKING DEVICE (MANUAL)

9205



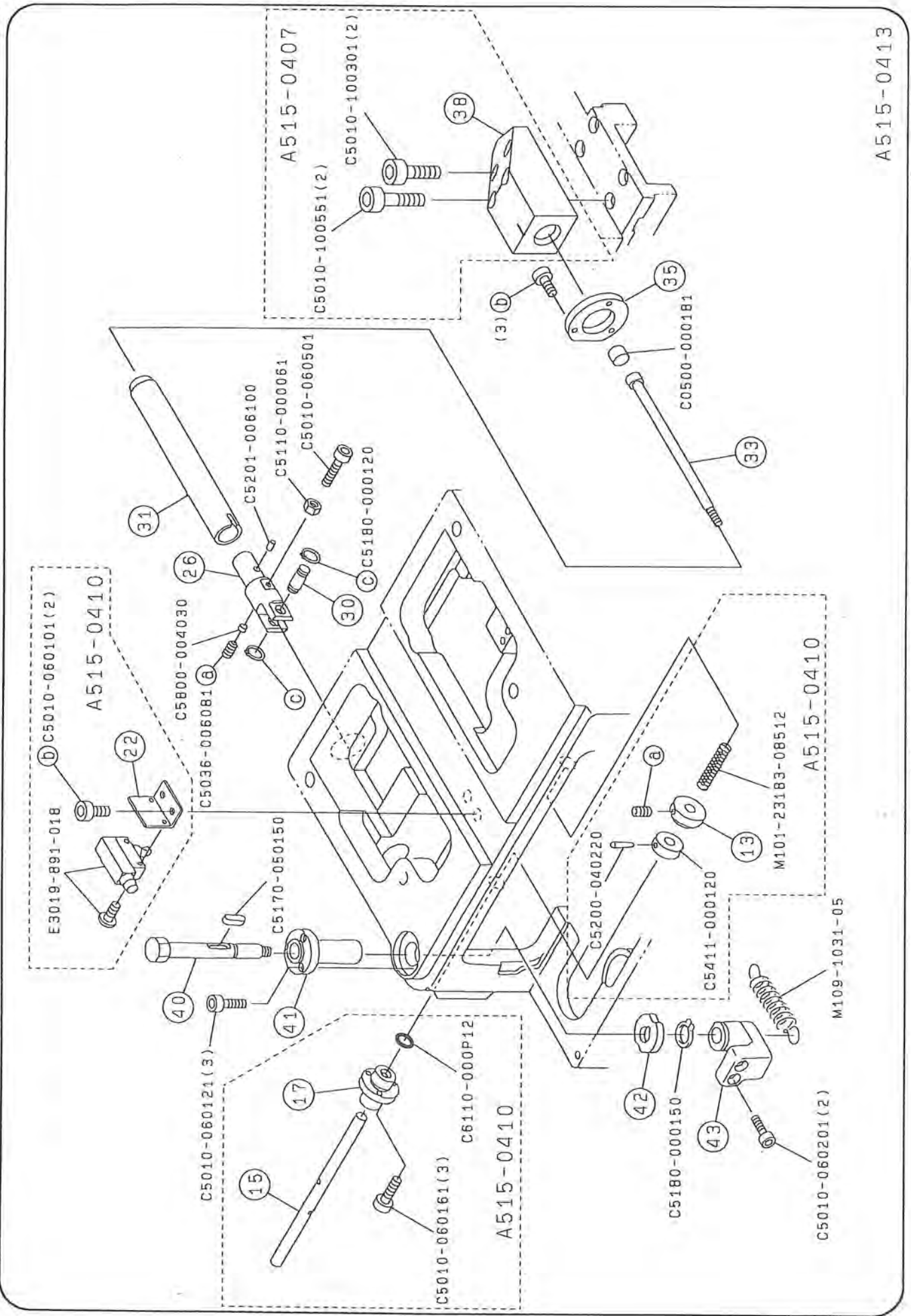
A515-0413

OKUMA Corporation

LR1525C/15C150

SHEET NO. 151 SADDLE TO ALONG (MANUAL)

9205



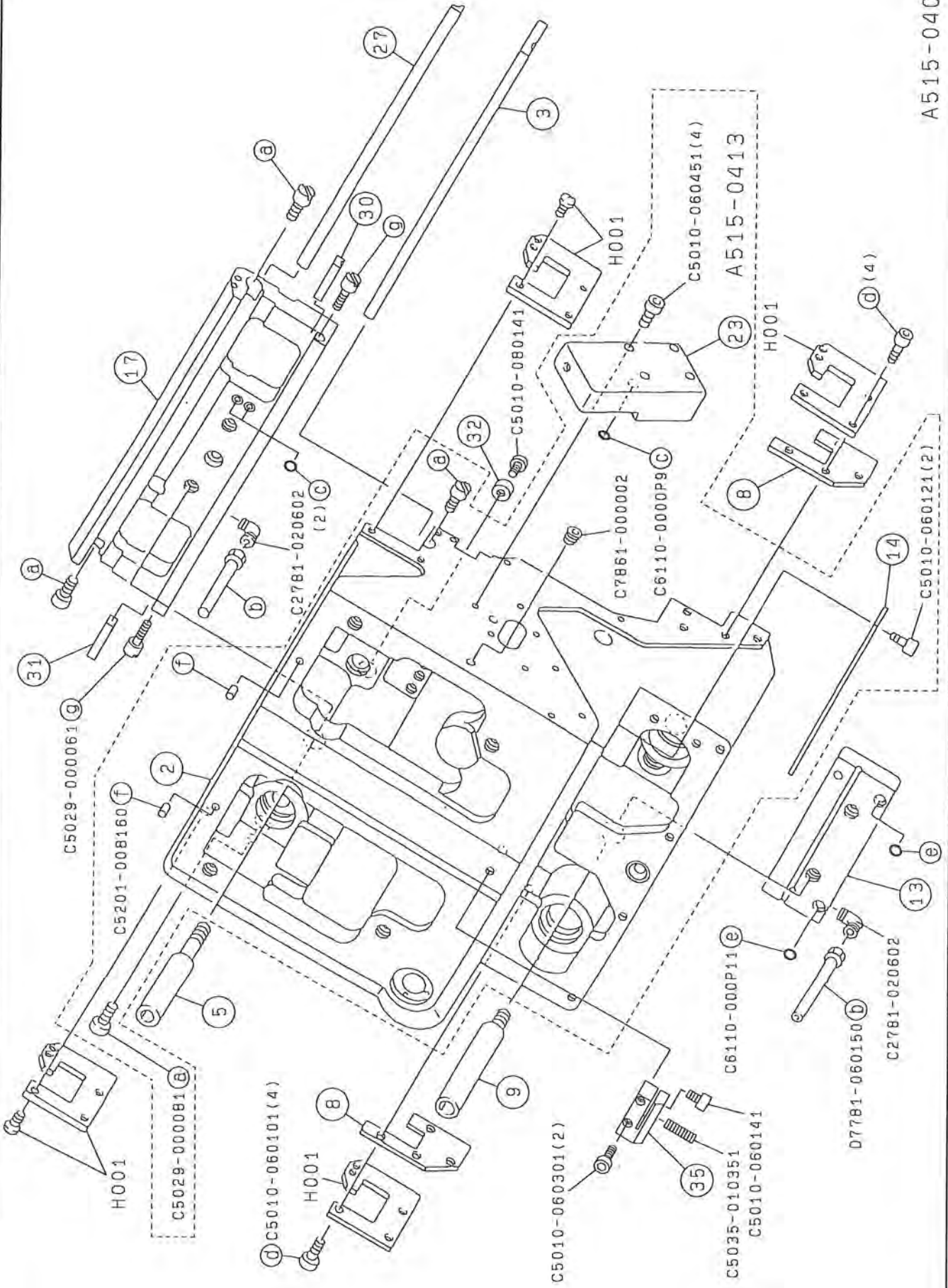
A515-0413

OKUMA Corporation

LR1525C/15C151

SHEET NO. 152 LOWER BASE (MANUAL)

9205



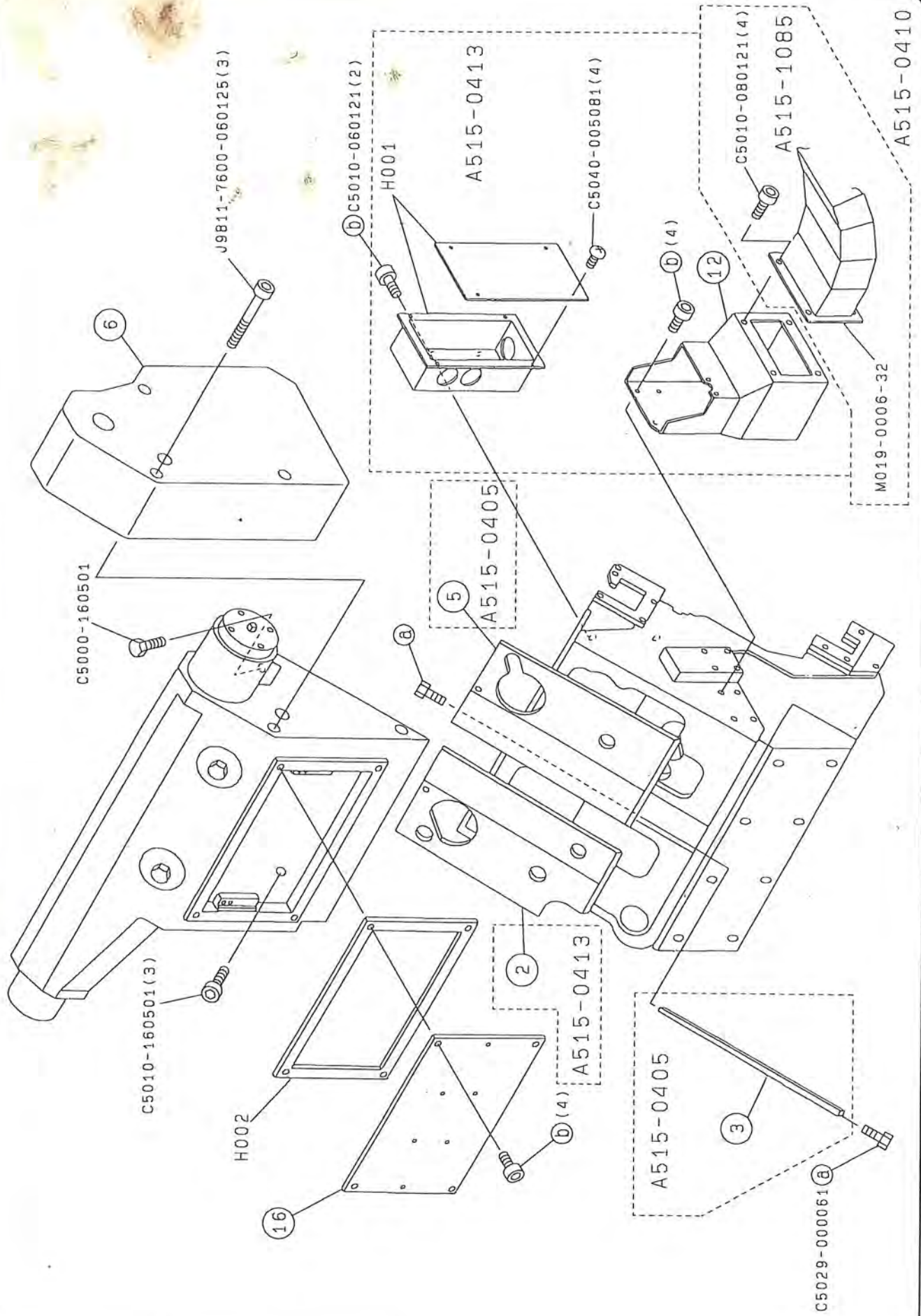
A515-0405

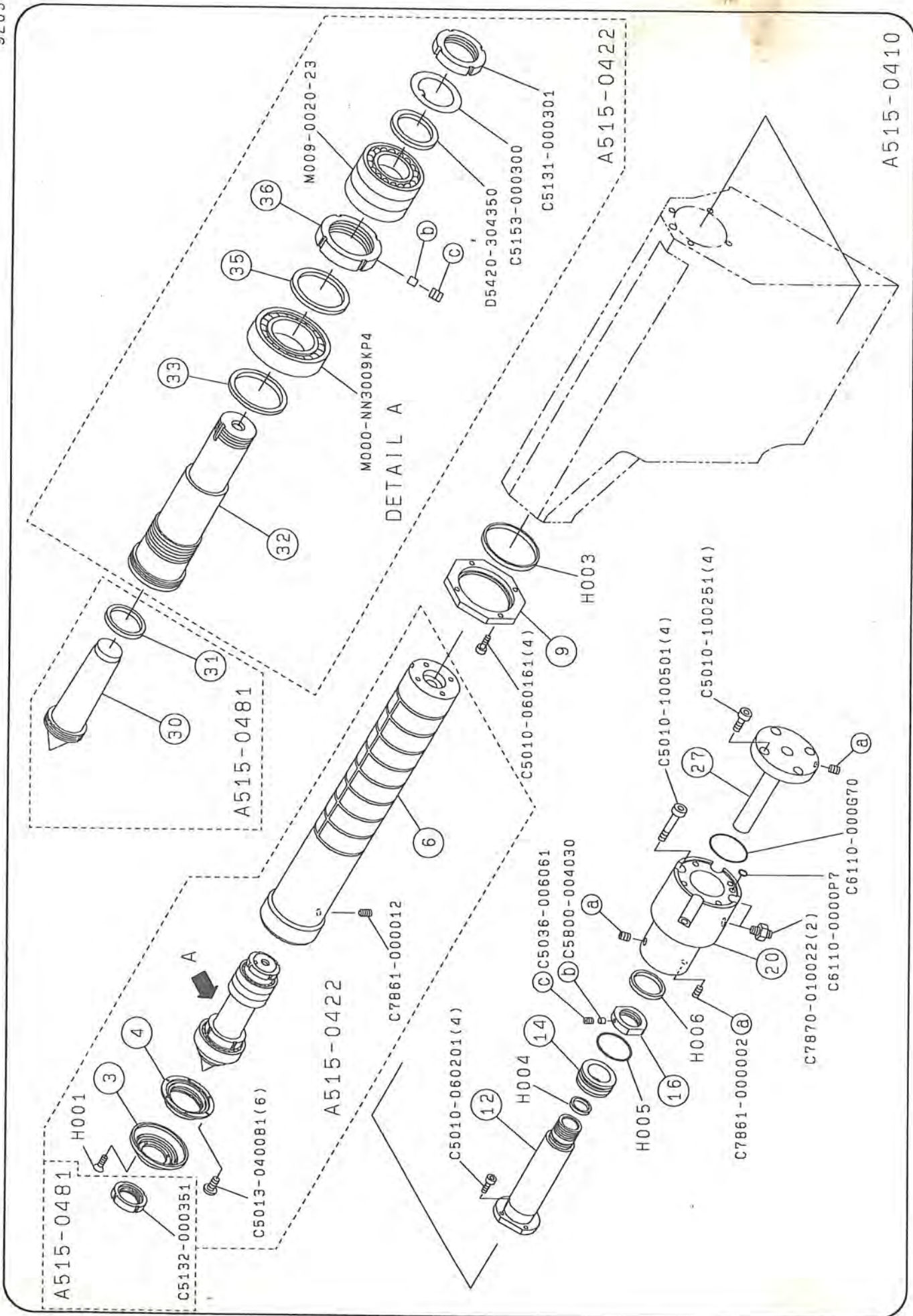
OKUMA Corporation

LR1525C/15C152

SHEET NO. 153 INSTALLATION (MANUAL)

9205





INDEX NO. LIST

9205

1 / 4

SHEET - ITEM	PART NO.	DESCRIPTION	UNIT NO.	QTY	SHEET - ITEM	PART NO.	DESCRIPTION	UNIT NO.	QTY
141 - 003	515-0410-78-1	CYLINDER	A515-0410	1	143 - 019	515-0401-71	PLATE	A515-0412	1
141 - 008	515-0410-11	CAP	A515-0410	1	143 - 025	515-0401-69	PLATE	A515-0412	2
141 - 011	515-0410-12-2	SHAFT	A515-0421	1	143 - 027	515-0401-68	SUPPORT	A515-0412	1
141 - 013	515-0440-03-1	CAP	A515-0410	1	143 - 030	515-0401-76	SUPPORT	A515-0412	1
141 - 015	515-0410-04-3	SLEEVE	A515-0421	1				
141 - 017	515-0410-76-7	TAILSTOCK	A515-0406	1	144 - 003	515-0401-55	PIN	A515-0412	2
141 - 019	515-0410-89	KEY	A515-0410	1	144 - 008	515-0401-59	JOINT	A515-0412	1
141 - 022	515-0410-07-3	SHAFT	A515-0410	1	144 - 010	515-0401-56-01	NUT	A515-0412	2
141 - 025	515-0410-08	PISTON	A515-0410	1	144 - 011	515-0401-58	SHAFT	A515-0412	2
141 - 027	515-0410-09	NUT	A515-0410	1	144 - 012	515-0401-51	SCREW (LEFT)	A515-0412	1
141 - H001	H0031-0007-53	PACKING CU06.9K0 OSH	A515-0410	1	144 - 013	515-0400-62-01	PIN	A515-0412	2
141 - H002	H0031-0009-35	SEAL FD3913A0	A515-0410	1	144 - 014	515-0400-61-2	PIN, parallel 8X16	A515-0412	2
141 - H003	H0031-0008-85	PACKING CU0320K0	A515-0410	1	144 - 015	515-0400-24	CAP	A515-0412	2
141 - H004	H0031-0001-05	CAP SEAL DAINICHI	A515-0410	1	144 - 019	515-0401-53-01	SCREW (LEFT)	A515-0412	1
.....					144 - 021	515-0401-54-02	LEVER	A515-0412	2
142 - 002	515-0410-03-3	CAP	A515-0410	1	144 - 023	515-0401-06-1	PLATE	A515-0405	2
142 - 007	515-0411-02-01	SUPPORT	A515-0420	1	144 - 024	515-0401-50	SCREW (RIGHT)	A515-0412	1
142 - 008	515-0220-28-1	PLATE	A515-0420	3	144 - 025	515-0401-52-01	SCREW (RIGHT)	A515-0412	1
142 - 009	515-0410-56-5	SHAFT	A515-0420	1	144 - H001	H0000-0005-69	CYLINDER HORIUCHI	A515-0412	1
142 - 012	515-0410-98-02	PLATE	A515-0420	1	144 - H002	H1005-0003-02	NUT, hex. No. 3 M10X P.I. 25	A515-0412	1
142 - 013	515-0410-99	PLATE	A515-0420	1				
142 - 016	515-0410-97-2	SHAFT	A515-0420	1	145 - 002	530-0402-06	DOG	A515-0412	2
142 - 018	515-0411-01	PLATE	A515-0420	1	145 - 005	515-0401-49-01	LINK	A515-0412	2
142 - 021	515-0410-58-1	COLLAR	A515-0420	1	145 - 006	515-0401-55	PIN	A515-0412	2
142 - 024	515-0410-47-2	SHAFT	A515-0420	1	145 - 008	515-0401-56-01	NUT	A515-0412	2
142 - H001	H1020-1075-52	PACKING	A515-0410	1	145 - 009	515-0401-57	SHAFT	A515-0412	2
142 - H002	H1001-0010-04	SET-SCREW	A515-0420	1	145 - 010	515-0401-50	SCREW (RIGHT)	A515-0412	1
.....					145 - 011	515-0400-24	CAP	A515-0412	2
143 - 006	515-0401-75-03	SUPPORT	A515-0412	1	145 - 013	515-0401-52-01	SCREW (RIGHT)	A515-0412	1
143 - 012	515-0401-72	PLATE	A515-0412	1	145 - 014	515-0401-54-02	LEVER	A515-0412	2
143 - 013	515-0401-70-01	PLATE	A515-0412	1	145 - 016	515-0400-11-4	PLATE	A515-0405	1

INDEX NO. LIST

SHEET - ITEM	PART NO.	DESCRIPTION	UNIT NO.	QTY	SHEET - ITEM	PART NO.	DESCRIPTION	UNIT NO.	QTY
145 -017	515-0400-62-01	PIN	A515-0412	2	147 -020	515-0400-13-4	PLATE	A515-0405	1
145 -018	515-0400-61-2	PIN, parallel 8X16	A515-0412	2	147 -024	515-0401-46-3	PLATE	A515-0405	1
145 -021	515-0400-09-4	PLATE	A515-0405	1	147 -032	515-0401-74	MANIFOLD	A515-0412	1
145 -022	515-0401-51	SCREW (LEFT)	A515-0412	1	147 -033	515-0400-14-2	GIB	A515-0405	1
145 -023	515-0401-53-01	SCREW (LEFT)	A515-0412	1	147 -035	515-0255-28	GIB	A515-0405	1
145 -025	515-0401-59	JOINT	A515-0412	1	147 -036	515-0255-29	GIB	A515-0405	1
145 -H001	H1005-0003-02	NUT, hex 10	A515-0412	1	147 -037	515-0201-08-1	BLOCK	A515-0405	1
145 -H002	H0000-0005-69	CYLINDER M70S-1-C A 25X85	A515-0412	1	147 -H001	H1023-0014-48	WIPER	A515-0405	1
146 -002	515-0401-67-03	BRACKET	A515-0412	1	148 -002	515-0400-15-5	PLATE	A515-0412	1
146 -008	515-0401-64-02	SHAFT	A515-0412	1	148 -003	515-0400-08-1	GIB	A515-0405	1
146 -010	530-0400-75	DOG	A515-0412	1	148 -005	515-0400-16-7	PLATE	A515-0405	1
146 -011	515-0401-63	SHAFT	A515-0412	1	148 -006	515-0410-77-3	COVER	A515-0410	1
146 -013	515-0401-62-01	SUPPORT	A515-0412	1	148 -012	515-0400-56-5	SUPPORT	A515-0412	1
146 -017	515-0401-61-06	SHAFT	A515-0412	1	148 -H001	H9007-2000-01-4	TERMINAL BOX	A515-0412	1
146 -019	515-0400-22-1	CAP	A515-0412	1					
146 -021	515-0401-60-01	SUPPORT	A515-0406	1	149 -003	515-0410-78-1	CYLINDER	A515-0410	1
146 -024	515-0400-05-5	SHAFT	A515-0410	1	149 -008	515-0410-11	CAP	A515-0410	1
146 -026	515-0401-04-2	BUSHING	A515-0410	1	149 -011	515-0410-12-2	SHAFT	A515-0421	1
146 -030	515-0401-73	DOG	A515-0410	1	149 -013	515-0440-03-1	CAP	A515-0410	1
146 -035	515-0400-35-1	SUPPORT	A515-0410	1	149 -015	515-0410-04-3	SLEEVE	A515-0421	1
146 -H001	H0000-0005-87	CYLINDER HORIUCHI MCS-1-15X35-M	A515-0412	1	149 -017	515-0410-36-9	TAILSTOCK	A515-0407	1
146 -H002	H0031-0000-09	PACKING	A515-0412	1	149 -019	515-0410-89	KEY	A515-0410	1
					149 -022	515-0410-07-3	SHAFT	A515-0410	1
147 -002	515-0401-45-10	BASE	A515-0412	1	149 -025	515-0410-08	PISTON	A515-0410	1
147 -003	515-0401-47	GIB	A515-0405	1	149 -027	515-0410-09	NUT	A515-0410	1
147 -005	515-0401-25	BOLT	A515-0405	2	149 -031	515-0400-70-3	SHAFT	A515-0413	2
147 -008	515-0401-48	PLATE	A515-0405	2	149 -032	515-0400-69-2	CAP	A515-0413	2
147 -010	515-0400-17-3	SUPPORT	A515-0405	1	149 -037	515-0410-51	CAP	A515-0423	1
147 -013	515-0401-24	BOLT	A515-0405	2	149 -H001	H0031-0007-53	PACKING CU06 9MO OSH	A515-0410	1
147 -015	515-0400-55-3	COVER	A515-0412	1	149 -H002	H0031-0009-35	SEAL FD3913A0	A515-0410	1

INDEX NO. LIST

3205

3 / 4

SHEET - ITEM	PART NO.	DESCRIPTION	UNIT NO.	QTY	SHEET - ITEM	PART NO.	DESCRIPTION	UNIT NO.	QTY
149 -H003	H0031-0008-85	PACKING CU0320K0	A515-0410	1	152 -008	515-0401-48	PLATE	A515-0405	2
149 -H004	H0031-0001-05	CAP SEAL DAINICHI	A515-0410	1	152 -009	515-0401-24	BOLT	A515-0405	2
150 -002	515-0400-74-2	CAP	A515-0413	2	152 -013	515-0400-13-4	PLATE	A515-0405	1
150 -003	515-0401-13-01	COVER	A515-0413	1	152 -014	515-0400-90-2	PLATE	A515-0413	1
150 -007	515-0401-19-01	BOLT	A515-0413	2	152 -017	515-0401-46-03	PLATE	A515-0405	1
150 -009	515-0400-11-4	PLATE	A515-0405	1	152 -023	515-0401-22-01	BLOCK	A515-0413	1
150 -010	515-0400-09-4	PLATE	A515-0405	1	152 -027	515-0400-14-2	GIB	A515-0405	1
150 -011	515-0400-71-01	BLOCK	A515-0413	2	152 -030	515-0255-28	GIB	A515-0405	1
150 -012	515-0401-17-01	BOLT	A515-0413	2	152 -031	515-0255-29	GIB	A515-0405	1
150 -015	515-0401-06-1	PLATE	A515-0405	1	152 -032	515-0201-08-1	BLOCK	A515-0405	1
150 -016	515-0401-06-1	PLATE	A515-0405	1	152 -035	515-0400-17-3	SUPPORT	A515-0405	1
151 -013	515-0401-73	DOG	A515-0410	1	152 -H001	H1023-0014-48	WIPER	A515-0405	1
151 -015	515-0400-05-5	SHAFT	A515-0410	1	153 -002	515-0400-91-5	PLATE	A515-0413	1
151 -017	515-0401-04-2	BUSHING	A515-0410	1	153 -003	515-0400-08-1	GIB	A515-0405	1
151 -022	515-0400-35-1	SUPPORT	A515-0410	1	153 -005	515-0400-16-7	PLATE	A515-0405	1
151 -026	515-0400-81-5	JOINT	A515-0413	1	153 -006	515-0410-77-3	COVER	A515-0410	1
151 -030	515-0400-82	PIN	A515-0413	1	153 -012	515-0400-56-5	SUPPORT	A515-0413	1
151 -031	515-0401-13-3	PIPE, steel	A515-0413	1	153 -016	515-0410-03-3	CAP	A515-0410	1
151 -033	515-0401-14	BOLT	A515-0413	1	153 -H001	H9007-2000-01-4	TERMINAL BOX	A515-0413	1
151 -035	515-0400-77-2	CAP	A515-0413	1	153 -H002	H1020-1075-52	PACKING	A515-0410	1
151 -038	515-0401-20-01	BLOCK	A515-0407	1	154 -003	515-0410-31-2	COVER	A515-0422	1
151 -040	515-0400-94-2	SHAFT	A515-0413	1	154 -004	515-0410-32-3	COVER	A515-0422	1
151 -041	515-0400-93-3	CAP	A515-0413	1	154 -006	515-0410-79-4	SLEEVE	A515-0422	1
151 -042	515-0400-92-1	CAM	A515-0413	1	154 -009	515-0440-03-1	CAP	A515-0410	1
151 -043	515-0400-95-4	SUPPORT	A515-0413	1	154 -012	515-0410-07-3	SHAFT	A515-0410	1
152 -002	515-0401-21-8	BASE	A515-0413	1	154 -014	515-0410-08	PISTON	A515-0410	1
152 -003	515-0401-47	GIB	A515-0405	1	154 -016	515-0410-09	NUT	A515-0410	1
152 -005	515-0401-25	BOLT	A515-0405	2	154 -020	515-0410-78-1	CYLINDER	A515-0410	1
					154 -027	515-0410-11	CAP	A515-0410	1

INDEX NO. LIST

SHEET - ITEM	PART NO.	DESCRIPTION	UNIT NO.	QTY	SHEET - ITEM	PART NO.	DESCRIPTION	UNIT NO.	QTY
154 - 030	515-0410-30-01	CENTER	A515-0481	1					
154 - 031	515-0410-39-2	COLLAR	A515-0481	1					
154 - 032	515-0410-29-4	SHAFT	A515-0422	1					
154 - 033	515-0410-35	COLLAR	A515-0422	1					
154 - 035	515-0410-33	COLLAR	A515-0422	1					
154 - 036	515-0410-34-01	NUT	A515-0422	1					
154 - H001	H1001-0014-10	BOLT GOSHO 4X10	A515-0422	4					
154 - H003	H0031-0009-35	DUST SEAL NOK DK1 FD3913A0	A515-0410	1					
154 - H004	H0031-0008-85	PACKING NOK USH C U0320K0	A515-0410	1					
154 - H005	H0031-0001-05	CAP. seal DAINICHI CAP-1BE-50A	A515-0410	1					
154 - H006	H0031-0007-53	PACKING NOK USH C U0619K0 50X60X6	A515-0410	1					

OKUMA Corporation

LR15 2SC 14

PURCHASE PARTS LIST

1 / 1

PARTS NO.	DESCRIPTION	PARTS NO.	DESCRIPTION
E3019-891-018	L. S. YAMATAKE SL1-D		
E3019-891-037	L. S. YAMATAKE SL1-P		
E3020-397-101	SENSOR OMRON TL-T2E1		
M000-NN3009KP4	ROLLER BEARING NN3009KP4		
M001-81105T2	BALL BEARING NTN 81105T2		
M004-MB5020DU	BEARING DAIDO MB5020DU		
M009-0020-23	ROLLER BEARING		
M019-0006-32	HOSE KINJYO		
M101-16146-25772	SPRING 1.6X14.6X257X72		
M101-23188-08512	SPRING 2.3X18.3X85X12		
M109-1031-05	SPRING SWPA 2.3X17X60X13		
T009-020-000-37	CENTER MTN05		

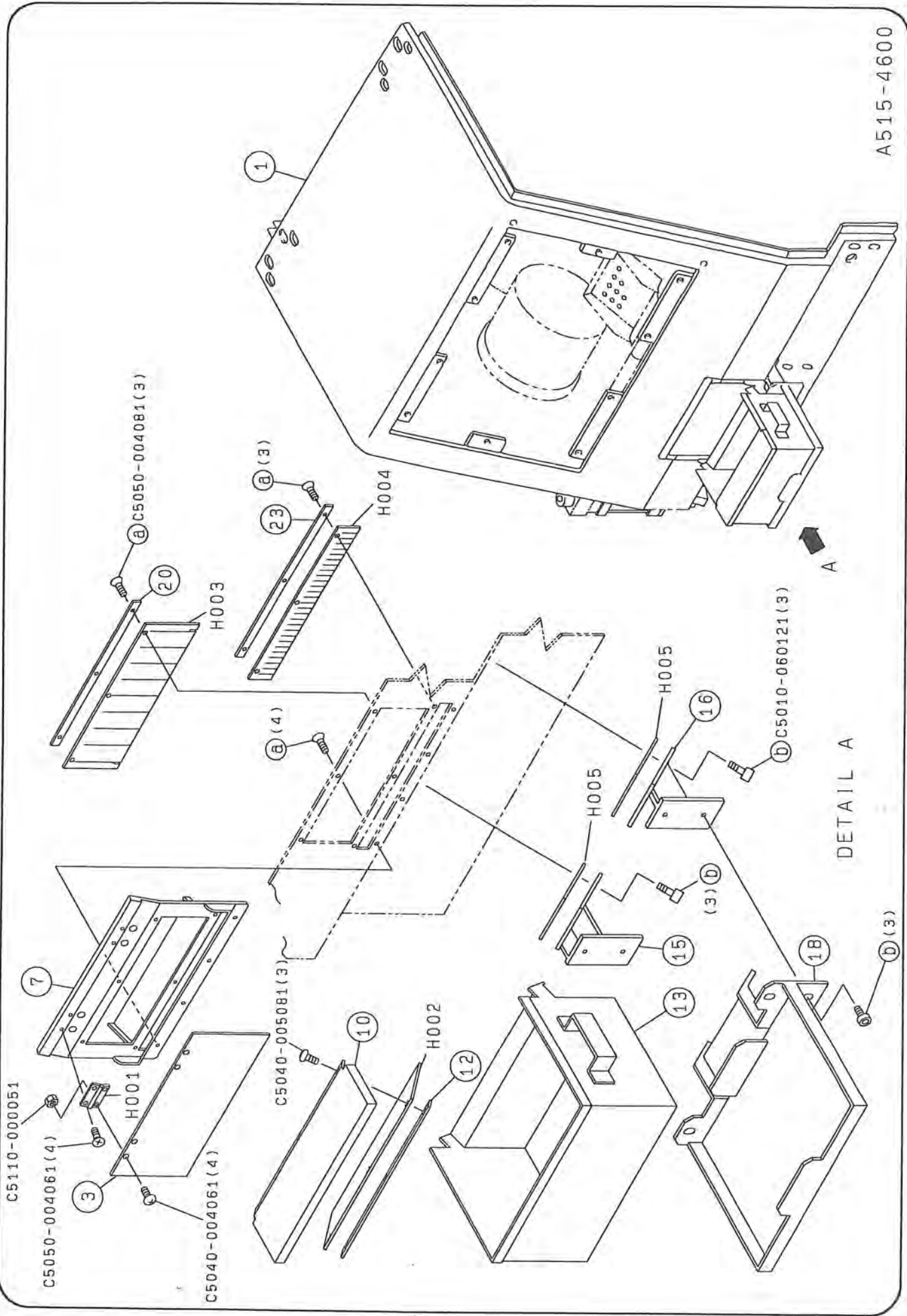
(15) PARTS CATCHER GROUP

~ CONTENTS ~

SHEET NO.	ASSEMBLY NAME	PAGE
161	PARTS CATCHER (1)	522
162	PARTS CATCHER (2)	523
I	INDEX NO. LIST	524
P/P	PURCHASE PARTS LIST	525

SHEET NO. 161 PARTS CATCHER (1)

9205



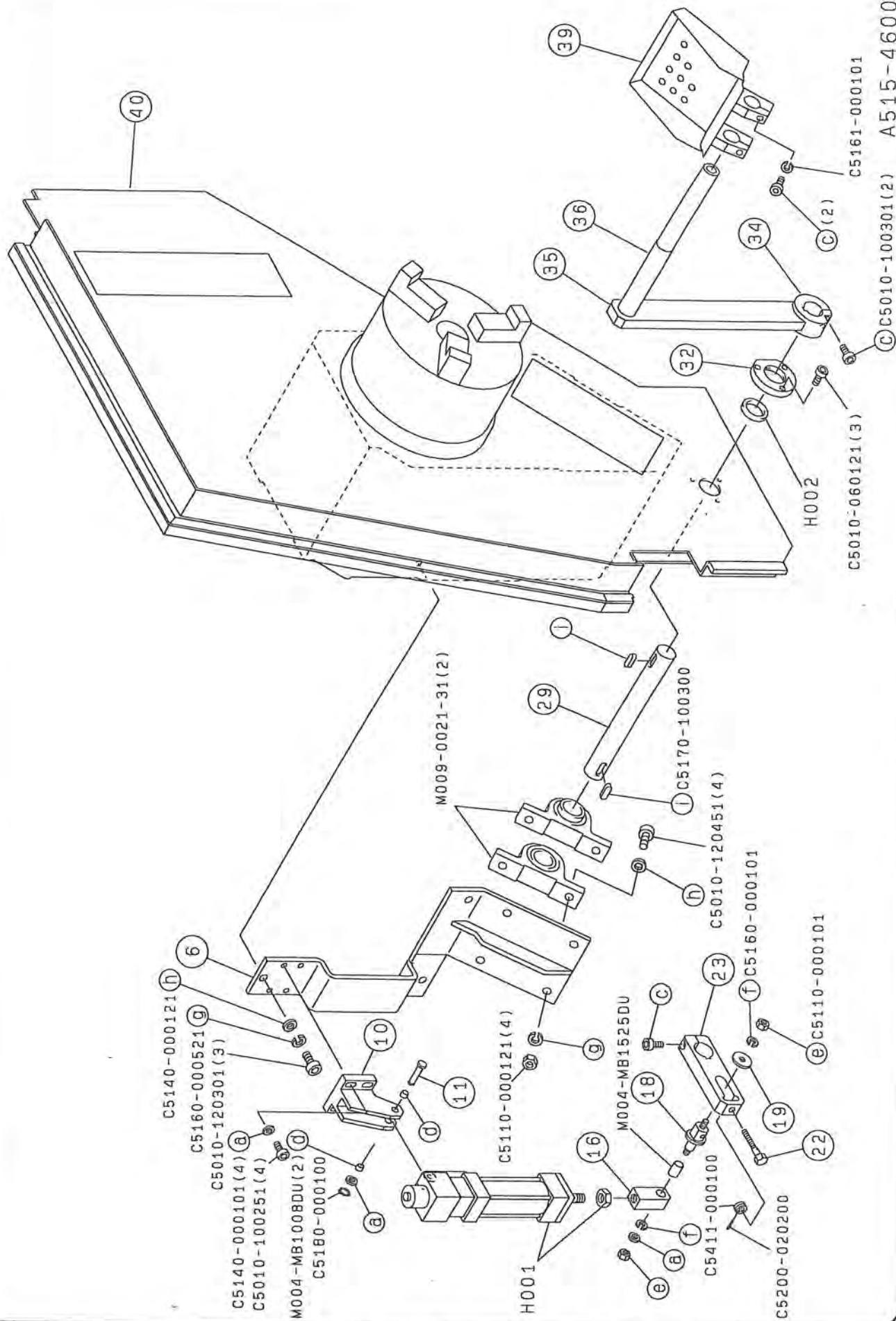
A515-4600

OKUMA Corporation

IR1525C/15C161

SHEET NO. 162 PARTS CATCHER (2)

9205



I N D E X N O . L I S T 9205

SHEET -ITEM	PART NO.	DESCRIPTION	UNIT NO.	QTY	SHEET -ITEM	PART NO.	DESCRIPTION	UNIT NO.	QTY
161 -001	515-1050-55-A	DOOR	A515-4600	1	162 -040	515-1050-30-5	COVER	A515-4600	1
161 -003	515-4603-37	PLATE	A515-4600	1	162 -H001	H0002-0009-24	CYLINDER, AIR CKD	A515-4600	1
161 -007	515-4602-65-02	COVER	A515-4600	1	162 -H002	H0031-0000-36	DUST SEAL NOK DKI FD2041A0	A515-4600	1
161 -010	522-4600-24	CAP	A515-4600	1					
161 -012	522-4600-23	HOLDER	A515-4600	1					
161 -013	515-4602-91-1	BOX	A515-4600	1					
161 -015	515-4602-94-1	SUPPORT	A515-4600	1					
161 -016	515-4602-95-1	SUPPORT	A515-4600	1					
161 -018	515-4602-93-2	SUPPORT	A515-4600	1					
161 -020	515-4602-62-01	HOLDER	A515-4600	1					
161 -023	515-4602-63-01	HOLDER	A515-4600	1					
161 -H001	H1003-0001-64	HINGE TAKIGEN B-1 059-5	A515-4600	2					
161 -H002	H1020-1091-33	PLATE 80X272X2	A515-4600	1					
161 -H003	H1020-1102-24	PLATE 85X260X1	A515-4600	1					
161 -H004	H1020-1102-23	PLATE 35X280X1	A515-4600	1					
161 -H005	H1020-1096-78	PACKING 75X90X1.0	A515-4600	2					
162 -006	515-4602-06-1	BASE	A515-4600	1					
162 -010	515-4602-07	SUPPORT	A515-4600	1					
162 -011	522-4600-10	SHAFT	A515-4600	1					
162 -016	522-4600-11	JOINT	A515-4600	1					
162 -018	515-4600-39	STUD	A515-4600	1					
162 -019	137-6700-06	COLLAR	A515-4600	1					
162 -022	522-4600-09-01	BOLT	A515-4600	1					
162 -023	522-4600-08-1	LEVER	A515-4600	1					
162 -029	515-4602-04-01	SHAFT	A515-4600	1					
162 -032	522-4600-14-1	CAP	A515-4600	1					
162 -034	522-4600-19-4	BOSS	A515-4600	1					
162 -035	515-4602-03	ARM	A515-4600	1					
162 -036	515-4602-02	PIPE, steel	A515-4600	1					
162 -039	515-4602-01-03	SUPPORT	A515-4600	1					

PURCHASE PARTS LIST

PARTS NO.	DESCRIPTION	PARTS NO.	DESCRIPTION
M004-MB1008DU M004-MB1525DU M009-0021-31	BEARING DAIDO MB1008DU BEARING DAIDO MB1525DU BEARING NTN ASPB207		



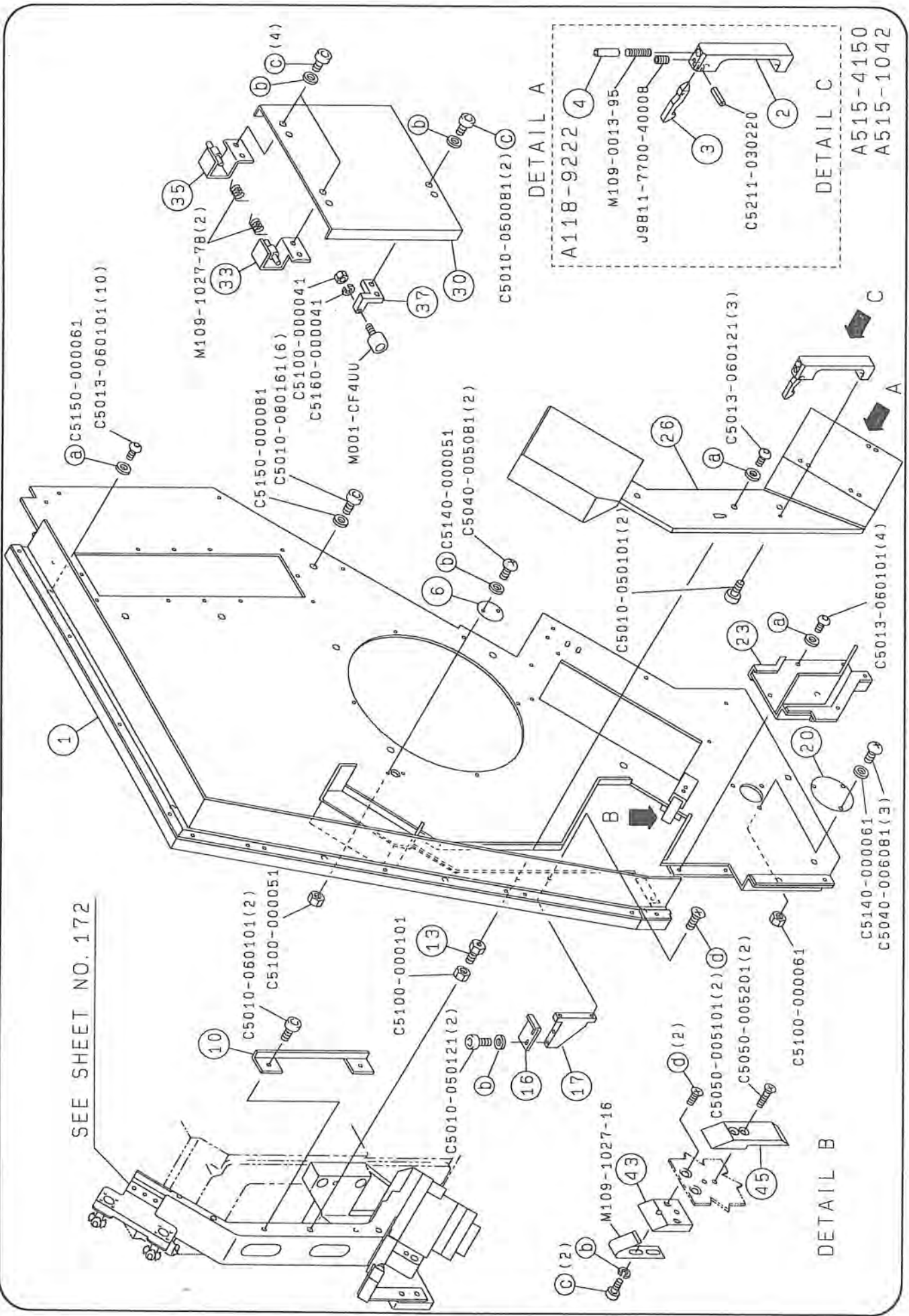
(16) TOUCH SETTER GROUP

~ CONTENTS ~

SHEET NO.	ASSEMBLY NAME	PAGE
171	TOUCH SETTER COVER (MANUAL)	542
172	TOUCH SETTER (1) MANUAL	543
173	TOUCH SETTER (2) MANUAL	544
174	TOUCH SETTER COVER (AUTO)	545
175	TOUCH SETTER (1) AUTO	546
176	TOUCH SETTER (2) AUTO	547
177	TOUCH SETTER WATERPROOF COVER	548
I	INDEX NO. LIST	549
P/P	PURCHASE PARTS LIST	550

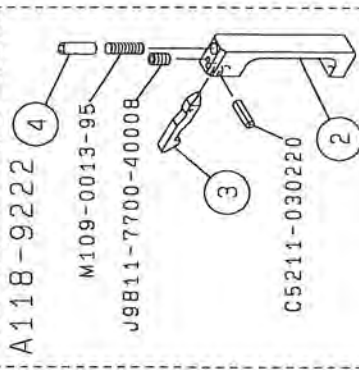
SHEET NO. 171 TOUCH SETTER COVER (MANUAL)

9205

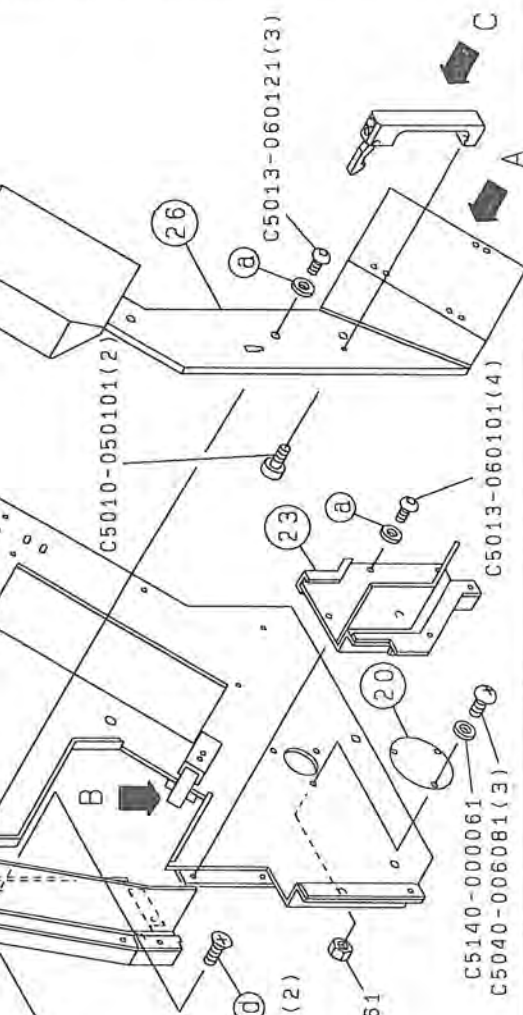


SEE SHEET NO. 172

DETAIL A



DETAIL B

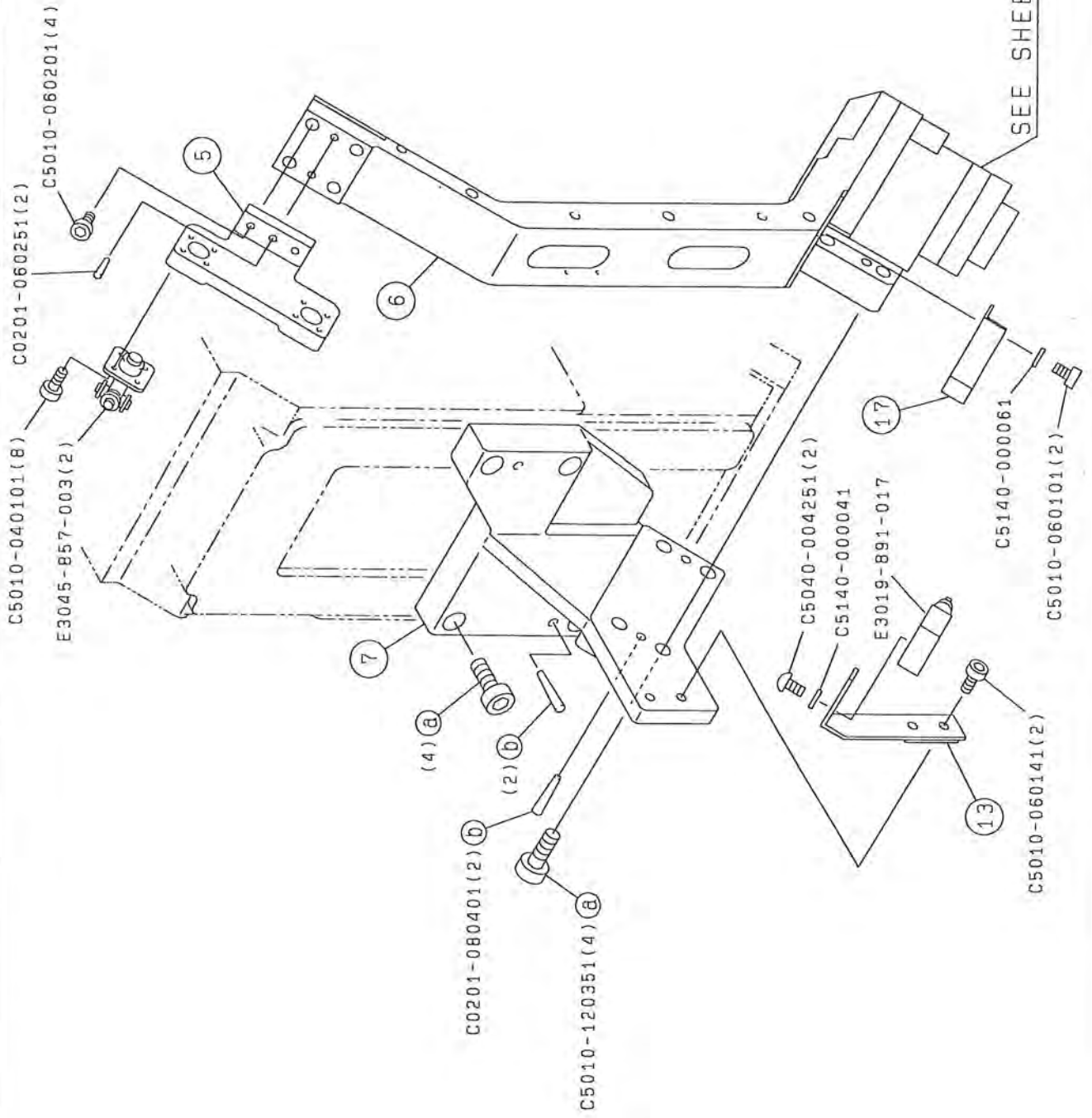


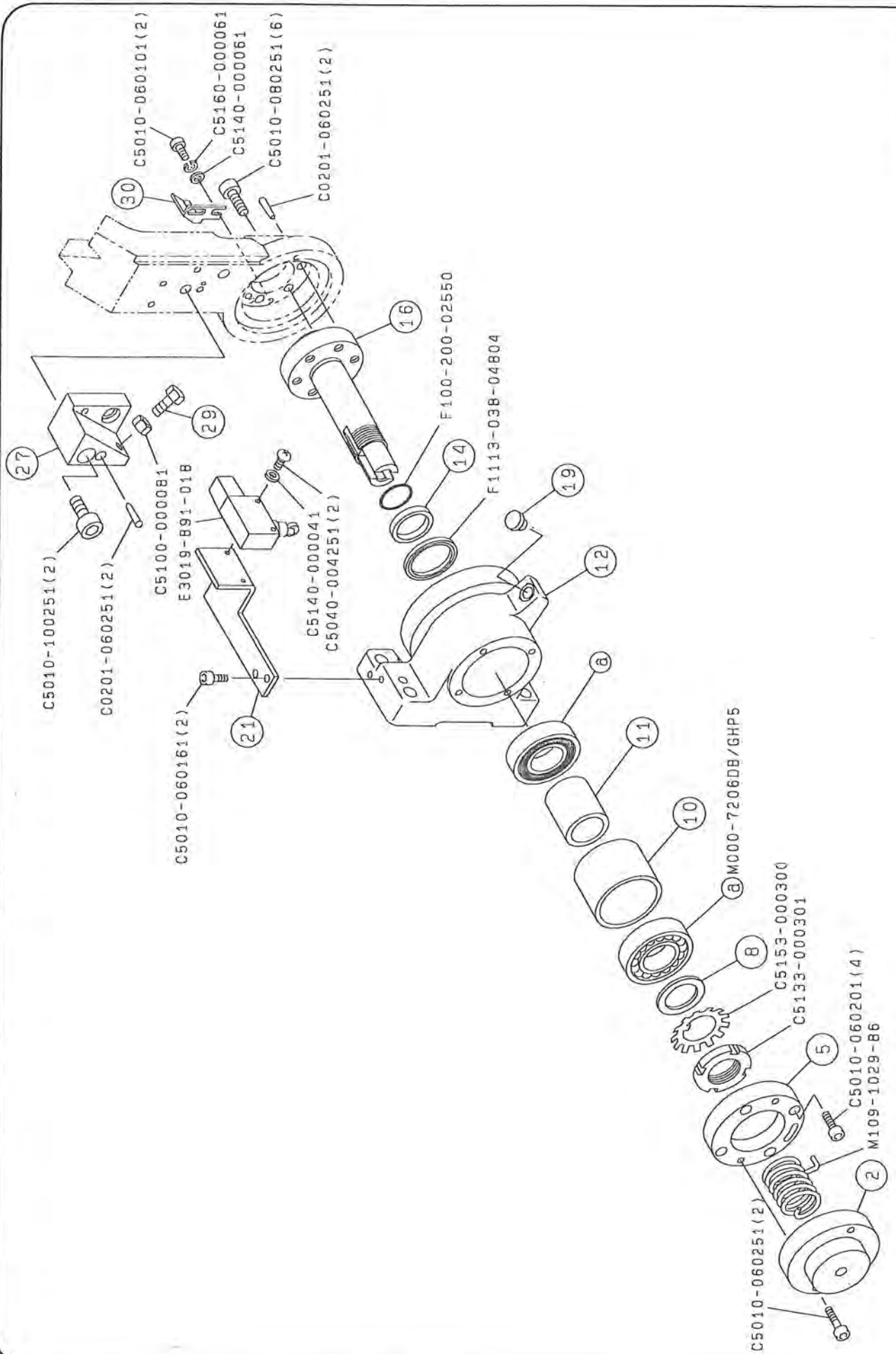
DETAIL C

A515-4150
A515-1042

OKUMA Corporation

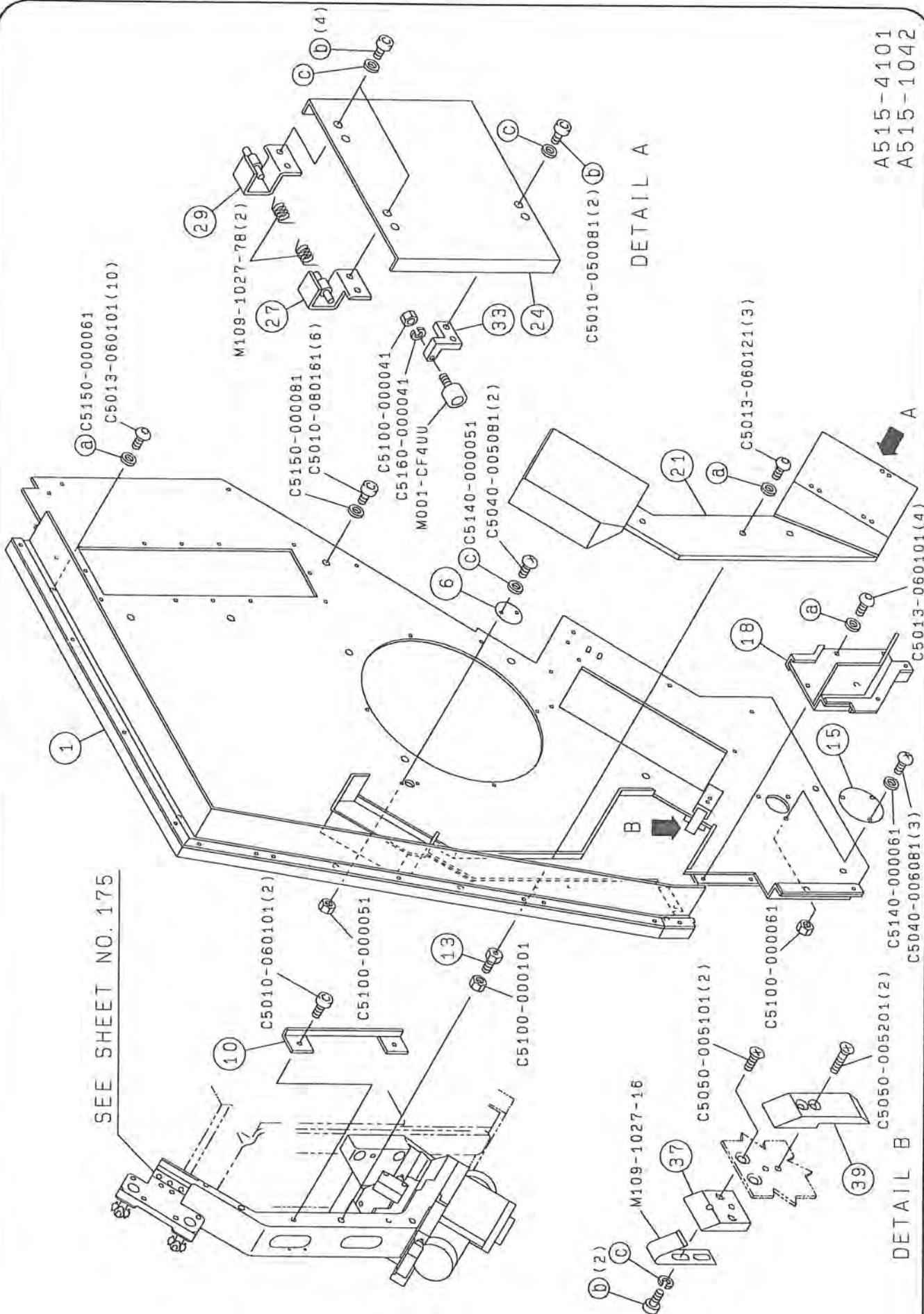
LR1525C/15C171





SHEET NO. 174 TOUCH SETTER COVER, AUTO.

9205



A515-4101
A515-1042

DETAIL B

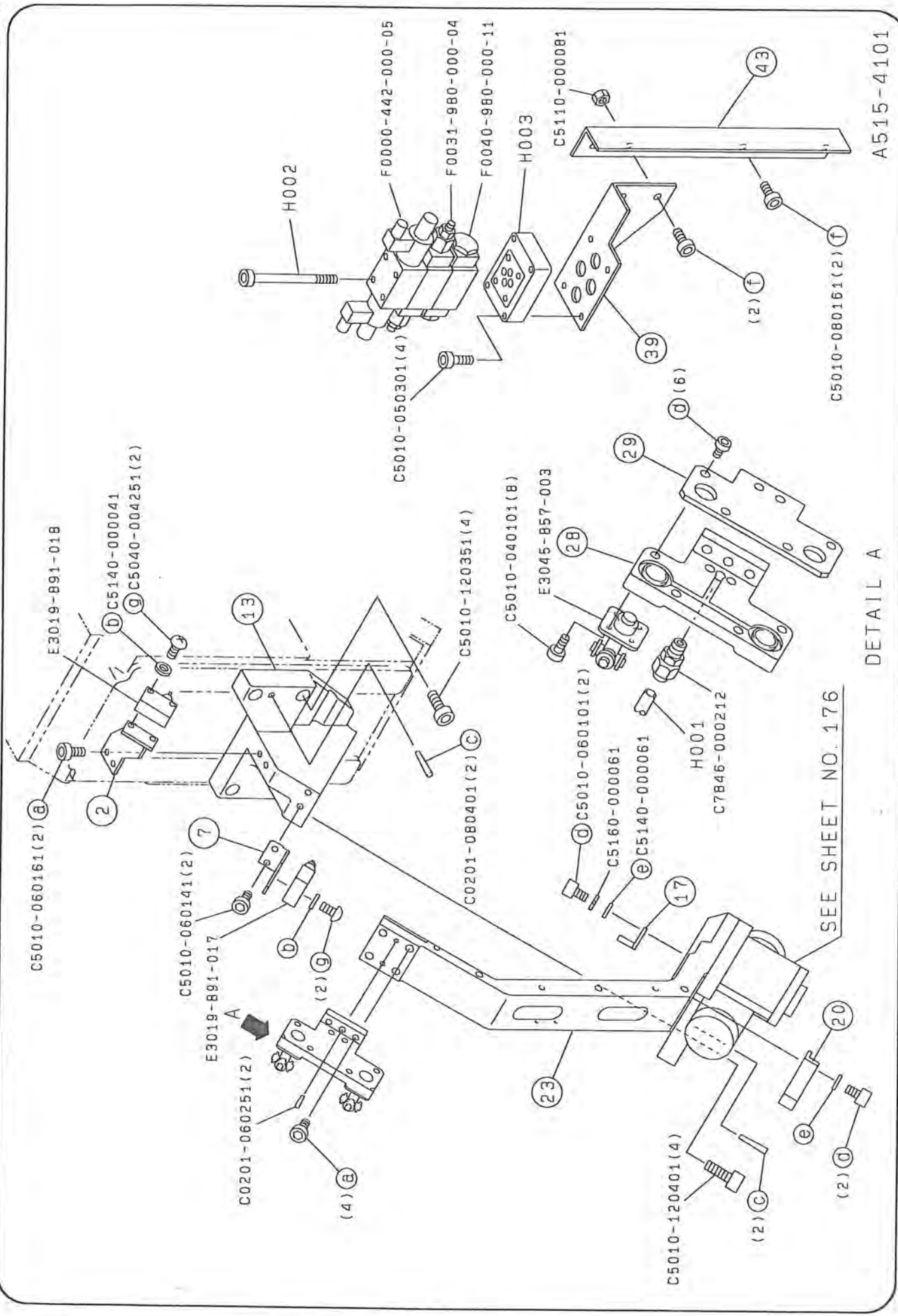
DETAIL A

OKUMA Corporation

LR1525C/15C174

SHEET NO. 175 TOUCH SETTER (1) AUTO.

9205



SEE SHEET NO. 176

DETAIL A

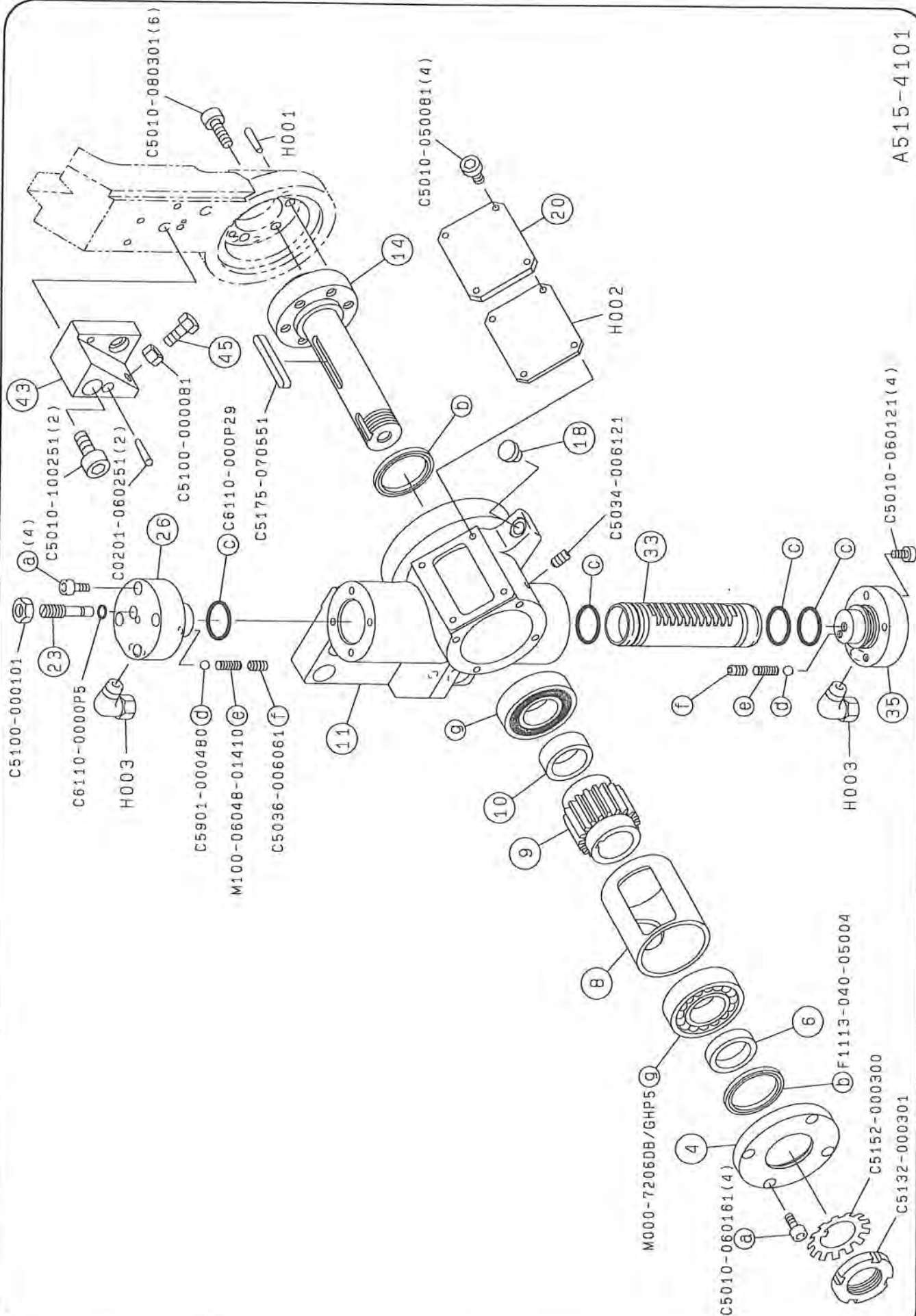
A515-4101

OKUMA Corporation

IR1525C/15C175

SHEET NO.176 TOUCH SETTER (2) AUTO

9205



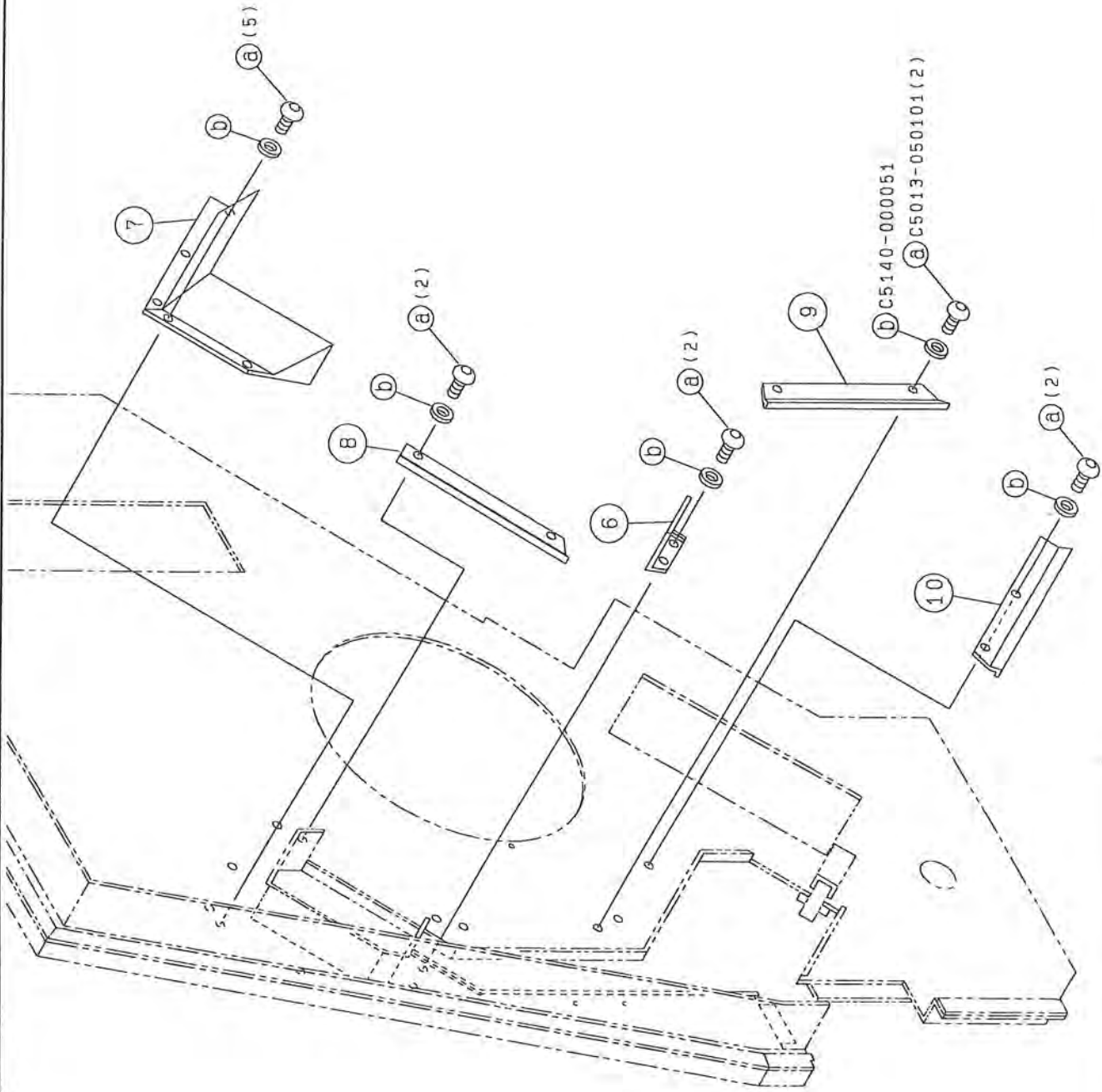
OKUMA Corporation

A515-4101

LR1525C/15C176

SHEET NO. 177 TOUCH SETTER WATERPROOF COVER

9205



SHEET -ITEM	PART NO.	DESCRIPTION	UNIT NO.	QTY	SHEET -ITEM	PART NO.	DESCRIPTION	UNIT NO.	QTY
171 -001	515-4151-01-06	COVER	A515-1042	1	173 -014	118-9220-12-2	COLLAR	A515-4150	1
171 -002	118-9220-94-02	HANDLE	A118-9222	1	173 -016	515-4150-51	COLLAR	A515-4150	1
171 -003	118-9220-95-01	FINGER	A118-9222	1	173 -019	127-4915-72	STOPPER	A515-4150	1
171 -004	127-9906-14-2	PIN	A118-9222	1	173 -021	127-4917-07	SUPPORT	A515-4150	1
171 -006	515-1040-13	PLATE	A515-1042	1	173 -027	515-4150-41-1	SUPPORT	A515-4150	1
171 -010	515-4150-05-1	COVER	A515-4150	1	173 -029	127-4917-43	BOLT	A515-4150	1
171 -013	515-4151-03	BOLT	A515-4150	3	173 -030	127-4917-47	DOG	A515-4150	1
171 -016	515-4151-05	PLATE	A515-4150	1					
171 -017	515-4151-04	PLATE	A515-4150	1	174 -001	515-4151-01-06	COVER	A515-1042	1
171 -020	515-1040-14	PLATE	A515-1042	1	174 -006	515-1040-13	PLATE	A515-1042	1
171 -023	515-1125-65-01	COVER	A515-1042	1	174 -010	515-4150-05-1	COVER	A515-4101	1
171 -026	515-4150-20-6	COVER	A515-4150	1	174 -013	515-4151-03	BOLT	A515-4101	3
171 -030	515-4150-46-2	COVER	A515-4150	1	174 -015	515-1040-14	PLATE	A515-1042	1
171 -033	127-4917-17-2	SUPPORT	A515-4150	1	174 -018	515-1125-65-01	COVER	A515-4101	1
171 -035	127-4917-16-2	SUPPORT	A515-4150	1	174 -021	515-4150-03-06	COVER	A515-1042	1
171 -037	127-4917-31	JOINT	A515-4150	1	174 -024	515-4150-46-2	COVER	A515-4101	1
171 -043	127-4917-30-01	PLATE	A515-4150	1	174 -027	127-4917-17-2	SUPPORT	A515-4101	1
171 -045	515-4150-02-01	GUIDE	A515-4150	1	174 -029	127-4917-16-2	SUPPORT	A515-4101	1
					174 -033	127-4917-31	JOINT	A515-4101	1
172 -005	515-4150-23-01	SUPPORT	A515-4150	1	174 -037	127-4917-30-01	PLATE	A515-4101	1
172 -006	515-4150-43-05	ARM	A515-4150	1	174 -039	515-4150-02-01	GUIDE	A515-4101	1
172 -007	515-4150-06-3	BRACKET	A515-4150	1					
172 -013	515-4150-08	SUPPORT	A515-4150	1	175 -002	515-4150-40	SUPPORT	A515-4101	1
172 -017	515-4150-42	DOG	A515-4150	1	175 -007	515-4150-39	SUPPORT	A515-4101	1
					175 -013	515-4150-28-1	BRACKET	A515-4101	1
173 -002	522-4100-22	CAP	A515-4150	1	175 -017	127-4917-47	DOG	A515-4101	1
173 -005	522-4100-21	CAP	A515-4150	1	175 -020	515-4150-42	DOG	A515-4101	1
173 -008	127-4919-23	COLLAR	A515-4150	1	175 -023	515-4150-43-5	ARM	A515-4101	1
173 -010	522-4100-15	COLLAR	A515-4150	1	175 -028	515-4150-09-01	SUPPORT	A515-4101	1
173 -011	522-4100-16-1	COLLAR	A515-4150	1	175 -029	515-4150-10-01	PLATE	A515-4101	1
173 -012	522-4100-05-5	SUPPORT	A515-4150	1	175 -039	515-4150-12	SUPPORT	A515-4101	1

INDEX NO. LIST

SHEET -ITEM	PART NO.	DESCRIPTION	UNIT NO.	QTY	SHEET -ITEM	PART NO.	DESCRIPTION	UNIT NO.	QTY
175 -043	515-4150-11	SUPPORT	A515-4101	1					
175 -H001	H0022-0004-55	HOSE SHOWA FHS-65 5 M6X5500	A515-4101	1					
175 -H002	H1001-0007-77	BOLT, socket-head NACHI	A515-4101	4					
175 -H003	H0013-0004-81	SUB PLATE NACHI M SA-01Y-10	A515-4101	1					
176 -004	515-4150-37-1	CAP	A515-4101	1					
176 -006	515-4150-36	COLLAR	A515-4101	1					
176 -008	515-4150-34	COLLAR	A515-4101	1					
176 -009	515-4150-33-3	GEAR	A515-4101	1					
176 -010	515-4150-35-2	COLLAR	A515-4101	1					
176 -011	515-4150-27-3	SUPPORT	A515-4101	1					
176 -014	515-4150-29-2	SHAFT	A515-4101	1					
176 -018	127-4915-72	STOPPER	A515-4101	1					
176 -020	515-4150-38-01	CAP	A515-4101	1					
176 -023	515-4150-48	DRAWING	A515-4101	1					
176 -026	515-4150-47-02	CAP	A515-4150	1					
176 -033	515-4150-32-03	RACK	A515-4101	1					
176 -035	515-4150-31-01	CAP	A515-4101	1					
176 -043	515-4150-41-1	SUPPORT	A515-4101	1					
176 -045	127-4917-43	BOLT	A515-4101	1					
176 -H001	H1002-0001-03	PIN, taper 6X20	A515-4101	1					
176 -H002	H1020-1099-40	PACKING 60X77X1.0	A515-4101	1					
176 -H003	H0010-0002-96	ELBOW, male NITTA L2N-3/8-PT1/4	A515-4101	2					
177 -006	515-4151-73	COVER	A515-1042	1					
177 -007	515-4151-74	COVER	A515-1042	1					
177 -008	515-4151-75	COVER	A515-1042	1					
177 -009	515-4151-76	COVER	A515-1042	1					
177 -010	515-4151-77	COVER	A515-1042	1					

PURCHASE PARTS LIST

PARTS NO.	DESCRIPTION	PARTS NO.	DESCRIPTION
E3019-891-017	L. S. YAMATAKE SL1-A		
E3019-891-018	L. S. YAMATAKE SL1-D		
E3045-857-003	SWITCH DC24V H-4A-2		
F0000-442-000-05	SOL. NACHI S-G01-C5-CRZ-D2-30		
F0031-980-000-04	SPEED CONTROL VALVE NACHI		
F0040-980-000-11	VALVE, check NACHI OCP-G01-W1-20		
F100-200-02550	O-RING, NOK S26		
F1113-038-04804	SEAL, oil NTN G38X48X4		
F1113-040-05004	SEAL, oil NTN G40X50X4		
M000-7206DB/GHP5	ANGULAR BEARING NTN 7206DB/GHP5		
M001-CF4UU	BEARING IKO CF4UU		
M100-06048-01410	SPRING 0.6X4.8X14X10		
M109-1027-16	SPRING SUP3 16X88X0.8		
M109-1027-78	SPRING SWPA 1.6		
M109-1029-86	SPRING SWPA 4		



STANDARD PARTS LIST

STANDARD PARTS LIST

PARTS NO.	DESCRIPTION	PARTS NO.	DESCRIPTION
C0201-060251	ITP 6X25	C2792-064002	70K HOSE 6X4000
C0201-060281	ITP 6X28	C2792-093002	70K HOSE 9X3000
C0201-060321	ITP 6X32	C2792-093502	70K HOSE 9X3500
C0201-060361	ITP 6X36	C2792-124002	70K HOSE 12X4000
C0201-080321	ITP 8X32	C2792-124502	70K HOSE 12X4500
C0201-080361	ITP 8X36	C3510-000500	SCREW DRIVER 50
C0201-080401	ITP 8X40	C3510-001500	SCREW DRIVER 150
C0201-080451	ITP 8X45	C3511-000020	SCREW DRIVER, philips NO. 2
C0201-080501	ITP 8X50	C3511-000030	SCREW DRIVER, philips NO. 3
C0201-100401	ITP 10X40	C3559-004500	TOOL BOX 450
C0201-100501	ITP 10X50	C5000-050101	BOLT 5X10
C0500-000181	COVER, blind 18	C5000-050121	BOLT 5X12
C2765-000281	CLAMP, wire 28	C5000-050141	BOLT 5X14
C2765-000351	CLAMP, wire 35	C5000-060101	BOLT 6X10
C2781-000402	NIPPLE PA4 PT1/8 (NTN)	C5000-060121	BOLT 6X12
C2781-000602	NIPPLE PA6 PT1/8 (NTN)	C5000-060161	BOLT 6X16
C2781-000612	NIPPLE PA6 PT1/4 (NTN)	C5000-060201	BOLT 6X20
C2781-000802	NIPPLE PA8 PT1/8 (NTN)	C5000-060301	BOLT 6X30
C2781-000812	NIPPLE PA8 PT1/4 (NTN)	C5000-100401	BOLT 10X40
C2781-001012	NIPPLE PA10 PT1/4 (NTN)	C5000-120351	BOLT 12X35
C2781-020602	ELBOW PB6 PT1/8 (NTN)	C5000-120451	BOLT 12X45
C2781-020612	ELBOW PB6 PT1/4 (NTN)	C5000-160401	BOLT 16X40
C2781-020812	ELBOW PB8 PT1/4 (NTN)	C5000-160451	BOLT 16X45
C2781-021022	ELBOW PB10 PT3/8 (NTN)	C5000-160501	BOLT 16X50
C2781-040602	TEE TB PD6 PT1/8 (NTN)	C5000-160551	BOLT 16X55
C2781-040612	TEE TB PD6 PT1/4 (NTN)	C5000-160751	BOLT 16X75
C2781-140612	PG-CONNECTOR PM6 PF1/4 (NTN)	C5000-161001	BOLT 16X100
C2781-140622	PG-CONNECTOR PM6 PF3/8 (NTN)	C5000-201001	BOLT 20X100
C2790-065002	10K HOSE 6X5000	C5000-240601	BOLT 24X60
C2790-192002	10K HOSE 19X2000	C5000-240901	BOLT 24X90
C2792-060602	70K HOSE 6X600	C5002-080401	BOLT, hex-head 8X40

STANDARD PARTS LIST

PARTS NO.	DESCRIPTION	PARTS NO.	DESCRIPTION
C5002-120601	BOLT, hex-head 12X60	C5010-080161	BOLT, socket-head 8X16
C5004-080301	BOLT, hex-head 8X30	C5010-080201	BOLT, socket-head 8X20
C5004-120601	BOLT, hex-head 12X60	C5010-080251	BOLT, socket-head 8X25
C5006-000321	BOLT, jack 32	C5010-080301	BOLT, socket-head 8X30
C5010-040061	BOLT, socket-head 4X6	C5010-080351	BOLT, socket-head 8X35
C5010-040081	BOLT, socket-head 4X8	C5010-080551	BOLT, socket-head 8X55
C5010-040101	BOLT, socket-head 4X10	C5010-080651	BOLT, socket-head 8X65
C5010-040161	BOLT, socket-head 4X16	C5010-080851	BOLT, socket-head 8X85
C5010-040201	BOLT, socket-head 4X20	C5010-081001	BOLT, socket-head 8X100
C5010-040251	BOLT, socket-head 4X25	C5010-100201	BOLT, socket-head 10X20
C5010-050081	BOLT, socket-head 5X8	C5010-100251	BOLT, socket-head 10X25
C5010-050101	BOLT, socket-head 5X10	C5010-100301	BOLT, socket-head 10X30
C5010-050121	BOLT, socket-head 5X12	C5010-100351	BOLT, socket-head 10X35
C5010-050141	BOLT, socket-head 5X14	C5010-100401	BOLT, socket-head 10X40
C5010-050161	BOLT, socket-head 5X16	C5010-100451	BOLT, socket-head 10X45
C5010-050201	BOLT, socket-head 5X20	C5010-100501	BOLT, socket-head 10X50
C5010-050251	BOLT, socket-head 5X25	C5010-100551	BOLT, socket-head 10X55
C5010-050301	BOLT, socket-head 5X30	C5010-100601	BOLT, socket-head 10X60
C5010-060101	BOLT, socket-head 6X10	C5010-120201	BOLT, socket-head 12X20
C5010-060121	BOLT, socket-head 6X12	C5010-120251	BOLT, socket-head 12X25
C5010-060141	BOLT, socket-head 6X14	C5010-120301	BOLT, socket-head 12X30
C5010-060161	BOLT, socket-head 6X16	C5010-120351	BOLT, socket-head 12X35
C5010-060201	BOLT, socket-head 6X20	C5010-120401	BOLT, socket-head 12X40
C5010-060251	BOLT, socket-head 6X25	C5010-120451	BOLT, socket-head 12X45
C5010-060301	BOLT, socket-head 6X30	C5010-120501	BOLT, socket-head 12X50
C5010-060351	BOLT, socket-head 6X35	C5010-120551	BOLT, socket-head 12X55
C5010-060401	BOLT, socket-head 6X40	C5010-120601	BOLT, socket-head 12X60
C5010-060451	BOLT, socket-head 6X45	C5010-120701	BOLT, socket-head 12X70
C5010-060501	BOLT, socket-head 6X50	C5010-121001	BOLT, socket-head 12X100
C5010-080121	BOLT, socket-head 8X12	C5010-160301	BOLT, socket-head 16X30
C5010-080141	BOLT, socket-head 8X14	C5010-160501	BOLT, socket-head 16X50

STANDARD PARTS LIST

PARTS NO.	DESCRIPTION	PARTS NO.	DESCRIPTION
C5010-160701	BOLT, socket-head 16X70	C5035-010161	SET-SCREW 10X16
C5010-200351	BOLT, socket-head 20X35	C5035-010201	SET-SCREW 10X20
C5010-200501	BOLT, socket-head 20X50	C5035-010351	SET-SCREW 10X35
C5010-200601	BOLT, socket-head 20X60	C5035-012201	SET-SCREW 12X20
C5010-200651	BOLT, socket-head 20X65	C5035-012251	SET-SCREW 12X25
C5013-040081	SPECIAL BOLT 4X8	C5036-006061	SET-SCREW 6X6
C5013-050081	SPECIAL BOLT 5X8	C5036-006081	SET-SCREW 6X8
C5013-050101	SPECIAL BOLT 5X10	C5036-006101	SET-SCREW 6X10
C5013-060101	SPECIAL BOLT 6X10	C5036-006121	SET-SCREW 6X12
C5013-060121	SPECIAL BOLT 6X12	C5036-008081	SET-SCREW 8X8
C5013-060161	SPECIAL BOLT 6X16	C5036-008101	SET-SCREW 8X10
C5013-060201	SPECIAL BOLT 6X20	C5036-008121	SET-SCREW 8X12
C5013-060251	SPECIAL BOLT 6X25	C5036-008161	SET-SCREW 8X16
C5013-080201	SPECIAL BOLT 8X20	C5036-008221	SET-SCREW 8X22
C5016-400501	BOLT, socket-head, long 10X40X50	C5036-010101	SET-SCREW 10X10
C5016-500601	BOLT, socket-head, long 10X50X60	C5036-010121	SET-SCREW 10X12
C5022-000121	PLUG, filler, eye-bolt hole 12	C5036-012141	SET-SCREW 12X14
C5029-000061	BOLT, gib 6	C5036-012301	SET-SCREW 12X30
C5029-000081	BOLT, gib 8	C5040-004061	SCREW, pan-head 4X6
C5030-005051	SET-SCREW 5X5	C5040-004251	SCREW, pan-head 4X25
C5030-005061	SET-SCREW 5X6	C5040-005081	SCREW, pan-head 5X8
C5034-006101	SET-SCREW 6X10	C5040-005101	SCREW, pan-head 5X10
C5034-006121	SET-SCREW 6X12	C5040-006081	SCREW, pan-head 6X8
C5035-006141	SET-SCREW 6X14	C5040-006101	SCREW, pan-head 6X10
C5035-006201	SET-SCREW 6X20	C5040-006121	SCREW, pan-head 6X12
C5035-006251	SET-SCREW 6X25	C5040-006141	SCREW, pan-head 6X14
C5035-008121	SET-SCREW 8X12	C5040-006201	SCREW, pan-head 6X20
C5035-008141	SET-SCREW 8X14	C5040-006251	SCREW, pan-head 6X25
C5035-008161	SET-SCREW 8X16	C5040-006301	SCREW, pan-head 6X30
C5035-008201	SET-SCREW 8X20	C5041-003161	SCREW, pan-head with washer 3X16
C5035-008301	SET-SCREW 8X30	C5041-004251	SCREW, pan-head with washer 4X25

STANDARD PARTS LIST

PARTS NO.	DESCRIPTION	PARTS NO.	DESCRIPTION
C5050-004081	SCREW, flat-head 4X8	C5131-000751	NUT, lock 75
C5050-005101	SCREW, flat-head 5X10	C5132-000251	NUT, bearing 25
C5050-005121	SCREW, flat-head 5X12	C5132-000301	NUT, bearing 30
C5050-005201	SCREW, flat-head 5X20	C5132-000351	NUT, bearing 35
C5050-006121	SCREW, flat-head 6X12	C5132-000401	NUT, bearing 40
C5050-006141	SCREW, flat-head 6X14	C5133-000301	NUT, lock W 30
C5050-006161	SCREW, flat-head 6X16	C5140-000041	WASHER, polished 4
C5050-006201	SCREW, flat-head 6X20	C5140-000051	WASHER, polished 5
C5050-006301	SCREW, flat-head 6X30	C5140-000061	WASHER, polished 6
C5050-008161	SCREW, flat-head 8X16	C5140-000081	WASHER, polished 8
C5076-000020	SCREW, drive #2	C5140-000101	WASHER, polished 10
C5089-100251	SCREW, pin 10X25	C5140-000121	WASHER, polished 12
C5100-000041	NUT, hex. No. 3 4	C5140-000161	WASHER, polished 16
C5100-000051	NUT, hex. No. 3 5	C5150-000061	WASHER, plain 6
C5100-000061	NUT, hex. No. 3 6	C5150-000081	WASHER, plain 8
C5100-000081	NUT, hex. No. 3 8	C5150-000121	WASHER, plain 12
C5100-000101	NUT, hex. No. 3 10	C5152-000250	WASHER, lock 25
C5100-000121	NUT, hex. No. 3 12	C5152-000300	WASHER, lock 30
C5100-000161	NUT, hex. No. 3 16	C5153-000150	WASHER, lock 15
C5100-000201	NUT, hex. No. 3 20	C5153-000250	WASHER, lock 25
C5104-000321	NUT 32	C5153-000300	WASHER, lock 30
C5110-000051	NUT, hex. No. 4 5	C5153-000750	WASHER, lock 75
C5110-000061	NUT, hex. No. 4 6	C5160-000041	WASHER, spring 4
C5110-000081	NUT, hex. No. 4 8	C5160-000051	WASHER, spring 5
C5110-000101	NUT, hex. No. 4 10	C5160-000061	WASHER, spring 6
C5110-000121	NUT, hex. No. 4 12	C5160-000081	WASHER, spring 8
C5110-000161	NUT, hex. No. 4 16	C5160-000101	WASHER, spring 10
C5110-000201	NUT, hex. No. 4 20	C5160-000121	WASHER, spring 12
C5131-000151	NUT, lock 15	C5161-000061	WASHER, spring, for hole 6
C5131-000251	NUT, lock 25	C5161-000081	WASHER, spring, for hole 8
C5131-000301	NUT, lock 30	C5161-000101	WASHER, spring, for hole 10

STANDARD PARTS LIST

PARTS NO.	DESCRIPTION	PARTS NO.	DESCRIPTION
C5161-000121	WASHER, spring, for hole 12	C5211-020080	PIN, spring, W 2X8
C5161-000161	WASHER, spring, for hole 16	C5211-020100	PIN, spring, W 2X10
C5170-040120	KEY, feather 4X4X12	C5211-030080	PIN, spring, W 3X8
C5170-040150	KEY, feather 4X4X15	C5211-030160	PIN, spring, W 3X16
C5170-040180	KEY, feather 4X4X18	C5211-040100	PIN, spring, W 4X10
C5170-040200	KEY, feather 4X4X20	C5211-040120	PIN, spring, W 4X12
C5170-050100	KEY, feather 5X5X10	C5250-030060	PLUG 3X6
C5170-050150	KEY, feather 5X5X15	C5250-040060	PLUG 4X6
C5170-050200	KEY, feather 5X5X20	C5250-050060	PLUG 5X6
C5170-050220	KEY, feather 5X5X22	C5250-060060	PLUG 6X6
C5170-100300	KEY, feather 10X8X30	C5250-080080	PLUG 8X8
C5170-120250	KEY, feather 12X8X25	C5411-000120	COLLAR (TP) 12
C5170-180350	KEY, feather 18X12X35	C5415-030300	BOSS, welded
C5175-070251	KEY, feather with screw 7X7X25	C5486-030100	COLLAR, distance, inner
C5175-070551	KEY, feather with screw 7X7X55	C5486-030250	COLLAR, distance, inner
C5180-000100	SNAP-RING, external 10	C5800-004030	SET PIECE 4X3
C5180-000120	SNAP-RING, external 12	C5800-004040	SET PIECE 4X4
C5180-000150	SNAP-RING, external 15	C5800-006060	SET PIECE 6X6
C5180-000160	SNAP-RING, external 16	C5901-000480	BALL, steel 3/16
C5180-000250	SNAP-RING, external 25	C5901-000790	BALL, steel 5/16
C5180-000300	SNAP-RING, external 30	C5901-000950	BALL, steel 3/8
C5181-000220	SNAP-RING, internal 22	C6101-203300	STRING, rubber 2X330
C5181-000320	SNAP-RING, internal 32	C6101-308000	STRING, rubber 3X800
C5181-000350	SNAP-RING, internal 35	C6101-309500	STRING, rubber 3X950
C5181-000470	SNAP-RING, internal 47	C6110-0000P5	O-RING P5
C5200-040220	TP 4X22	C6110-0000P7	O-RING P7
C5201-005200	PIN, parallel 5X20	C6110-0000P8	O-RING P8
C5201-006100	PIN, parallel 6X10	C6110-0000P9	O-RING P9
C5201-006160	PIN, parallel 6X16	C6110-000G30	O-RING G30
C5201-008160	PIN, parallel 8X16	C6110-000G35	O-RING G35
C5210-200100	PIN, split 2X10	C6110-000G40	O-RING G40

STANDARD PARTS LIST

PARTS NO.	DESCRIPTION	PARTS NO.	DESCRIPTION
C6110-000G45	O-RING G45	C7800-000212	M-NIPPLE 3/8X1/4
C6110-000G55	O-RING G55	C7800-000412	M-NIPPLE 3/4X1/4
C6110-000G60	O-RING G60	C7805-000222	M-SOCKET 3/8
C6110-000G65	O-RING G65	C7805-000442	M-SOCKET 3/4
C6110-000G70	O-RING G70	C7812-000222	M-ELBOW, street 3/8
C6110-000G75	O-RING G75	C7812-000442	M-ELBOW, street 3/4
C6110-000G90	O-RING G90	C7813-000552	M-ELBOW, street, 45°
C6110-000P10	O-RING P10	C7830-002222	M-TEE 3/8
C6110-000P11	O-RING P11	C7831-002222	M-TEE, street 3/8
C6110-000P12	O-RING P12	C7846-000212	M-BUSH 3/8X1/4
C6110-000P14	O-RING P14	C7846-000542	M-BUSH 1X3/4
C6110-000P16	O-RING P16	C7850-000042	M-PLUG 3/4
C6110-000P18	O-RING P18	C7861-000002	PLUG, socket-head 1/8
C6110-000P20	O-RING P20	C7861-000012	PLUG, socket-head 1/4
C6110-000P21	O-RING P21	C7881-000022	PLUG, socket-head 3/8
C6110-000P24	O-RING P24	C7861-000032	PLUG, socket-head 1/2
C6110-000P26	O-RING P26	C7861-000052	PLUG, socket-head 1
C6110-000P28	O-RING P28	C7865-000032	BOSS, welded, tapped hole
C6110-000P29	O-RING P29	C7865-000042	BOSS, welded, tapped hole
C6110-000P30	O-RING P30	C7870-010012	JOINT 1/4 (6)
C6110-000P39	O-RING P39	C7870-010022	JOINT 3/8
C6110-000P44	O-RING P44	C7870-010032	JOINT 1/2 (12)
C6110-000P52	O-RING P52	C7870-020012	JOINT, 1/4 (6)
C6110-000P95	O-RING P95	C7870-020022	ELBOW, hose joint 3/8 (9)
C6110-00G100	O-RING G100	C7870-020032	ELBOW, hose joint 1/2 (12)
C6110-00G120	O-RING G120	C7870-020042	ELBOW, hose joint 3/4 (19)
C6110-00P115	O-RING P115	C7870-030012	ELBOW, 45°, hose joint 1/4 (6)
C7782-000012	NIPPLE, barrel 1/4	C7870-030022	ELBOW, 45°, hose joint 3/8 (9)
C7782-000022	NIPPLE, barrel 3/8	C7870-030032	ELBOW, 45°, hose joint 1/2 (12)
C7793-190650	HOSE, vinyl 19X650	C7872-001522	JOINT, vinyl hose 3/8 (15)
C7793-251500	HOSE, vinyl 25X1500	C7872-001932	JOINT, vinyl hose 1/2 (19)

STANDARD PARTS LIST

PARTS NO.	DESCRIPTION	PARTS NO.	DESCRIPTION
C7872-002542	JOINT, vinyl hose 3/4 (25)	D5901-001270	BALL, steel 1/2
C7900-000112	S-NIPPLE 1/4	D7700-001040	PIPE HOLDER, A PZ-14
C7900-010112	S-SOCKET 1/4	D7700-001080	PIPE HOLDER, A PZ-0108
C7900-020332	S-SOCKET, male-female 1/2	D7781-040100	PIPE, steel 4X100
C7900-050222	S-ELBOW, male-female 3/8	D7781-040200	PIPE, steel 4X200
C7900-070212	S-BUSH 3/8X1/4	D7781-060150	PIPE, steel 6X150
C7900-070312	S-BUSH 1/2X1/4	D7781-060200	PIPE, steel 6X200
C7900-070322	S-BUSH 1/2X3/8	D7781-060300	PIPE, steel 6X300
C7900-070422	S-BUSH 3/4X3/8	D7781-060400	PIPE, steel 6X400
C8500-008100	WRENCH, double-ended 8X10	D7781-060450	PIPE, steel 6X450
C8500-012140	WRENCH, double-ended 12X14	D7781-080250	PIPE, steel 8X250
C8500-013170	WRENCH, double-ended 13X17	D7781-081200	PIPE, steel 8X1200
C8500-019220	WRENCH, double-ended 19X22	D7781-081500	PIPE, steel 8X1500
C8500-024270	WRENCH, double-ended 24X27	D7864-000030	PACKING 1/2
C8500-030320	WRENCH, double-ended 30X32	J9811-1100-030006	SCREW, pan-head 3X6
C8500-036410	WRENCH, double-ended 36X41	J9811-1100-030008	SCREW, pan-head 3X8
C8502-000030	WRENCH, allen 3	J9811-1102-026010	SCREW, pan-head A 2. 6X10-H
C8502-000040	WRENCH, allen 4	J9811-1110-050008	SCREW, flat-head 5X8
C8502-000050	WRENCH, allen 5	J9811-1110-060010	SCREW, flat-head 6X10
C8502-000060	WRENCH, allen 6	J9811-7600-040060	BOLT, socket-head 4X60-6G 12.9
C8502-000080	WRENCH, allen 8	J9811-7600-050035	BOLT, socket-head 5X35-6G 12.9
C8502-000100	WRENCH, allen 10	J9811-7600-050045	BOLT, socket-head 5X45-6G 12.9
C8502-000140	WRENCH, allen 14	J9811-7600-050050	BOLT, socket-head 5X50-6G 12.9
C8502-000170	WRENCH, allen 17	J9811-7600-050055	BOLT, socket-head 5X55-6G 12.9
C8505-000521	WRENCH, hook 52/55	J9811-7600-050065	BOLT, socket-head 5X65-6G 12.9
D2600-000112	DUMPER 1/4	J9811-7600-050070	BOLT, socket-head 5X70-6G 12.9
D2760-000222	HANDLE COCK 3/8 TOUNA	J9811-7600-050085	BOLT, socket-head 5X85-6G 12.9
D5013-140201	BOLT, socket-head, long 5X14X20	J9811-7600-060008	BOLT, socket-head 6X8-6G 12.9
D5415-012100	BOSS, welded 12X10	J9811-7600-060055	BOLT, socket-head 6X55-6G 12.9
D5420-304350	COLLAR 30X43X5	J9811-7600-060065	BOLT, socket-head 6X65-6G 12.9

STANDARD PARTS LIST

9205

PARTS NO.	DESCRIPTION	PARTS NO.	DESCRIPTION
J9811-7600-060080	BOLT, socket-head 6X80-6G 12.9		
J9811-7600-060090	BOLT, socket-head 6X90-6G 12.9		
J9811-7600-060125	BOLT, socket-head 6X125-6G 12.9		
J9811-7600-060130	BOLT, socket-head M6.0X130-6G 12.9		
J9811-7600-060150	BOLT, socket-head 6X150-6G 12.9		
J9811-7600-060170	BOLT, socket-head 6X170-6G 12.9		
J9811-7700-040008	SET-SCREW 4X8-6G 10.9		
J9811-7700-050005	SET-SCREW 5X5-6G 10.9		
J9811-7720-100010	SET-SCREW 10X10-6G 10.9		
J9811-7720-100012	SET-SCREW 10X12-6G 10.9		
J9828-0800-060010	PIN, spring W 6X10		



PARTS NO. LIST

PARTS NO. LIST

PARTS NO.	INDEX NO.	DESCRIPTION	UNIT NO.	QTY	PARTS NO.	INDEX NO.	DESCRIPTION	UNIT NO.	QTY
101-0300-13-1	37 -030	SCREW	A515-0255	2	118-2100-31-1	35 -013	COLLAR	A515-0210	1
101-0300-13-1	53 -013	BOLT	A515-0205	2	118-2100-31-1	35 -015	COLLAR	A515-0210	1
101-0300-13-1	56 -010	BOLT	A515-0255	3	118-2100-31-1	182 -014	COLLAR	A515-0210	1
101-0300-13-1	193 -013	BOLT	A515-0205	2	118-2100-31-1	182 -016	COLLAR	A515-0210	1
101-0300-14	37 -029	NUT	A515-0255	2	118-8001-30-1	72A-003	CAP	A515-0311	10
101-0300-14	53 -012	NUT	A515-0205	2	118-8001-30-1	76 -024	CAP	A515-2102	1
101-0300-14	56 -011	NUT	A515-0255	3	118-8001-30-1	76 -025	CAP	A515-2101	1
101-0300-14	193 -012	NUT	A515-0205	2	118-8001-30-1	76 -032	CAP	A515-2100	1
108-0014-04-2	31 -014	MOUNT	A515-0008	10	118-8001-30-1	76A-009	CAP	A515-2000	1
108-0014-04-2	181 -014	MOUNT	A515-0008	10	118-8001-30-1	77A-034	CAP	A515-2001	1
108-0301-17-1	53 -016	BOLT	A515-0205	1	118-8001-30-1	92A-005	CAP	A515-0321	8
108-0301-17-1	193 -016	BOLT	A515-0205	1	118-8001-30-1	96 -009	CAP	A515-2000	1
108-0301-18-2	53 -015	NUT	A515-0205	1	118-8001-30-1	96 -024	CAP	A515-2102	1
108-0301-18-2	193 -015	NUT	A515-0205	1	118-8001-30-1	96 -025	CAP	A515-2101	1
112-0320-09	39 -009	NUT, lock	A515-0210	1	118-8001-30-1	96 -032	CAP	A515-2100	1
112-0320-09	39 -020	NUT, lock	A515-0210	1	118-8001-30-1	97 -034	CAP	A515-2001	1
112-0320-09	52 -024	NUT	A515-0205	1	118-8108-76	10 -008	BOLT	A515-3052	2
112-0320-09	185 -009	NUT, lock	A515-0210	1	118-8108-76	19 -009	BOLT	A515-3061	2
112-0320-09	192 -024	NUT	A515-0205	1	118-9220-12-2	173 -014	COLLAR	A515-4150	1
112-0320-10-1	39 -010	WASHER, lock	A515-0210	1	118-9220-94-02	171 -002	HANDLE	A118-9222	1
112-0320-10-1	39 -021	WASHER, lock	A515-0210	1	118-9220-95-01	171 -003	FINGER	A118-9222	1
112-0320-10-1	52 -025	WASHER, lock	A515-0205	1	119-3100-08-2	76A-007	NOZZLE	A515-2000	1
112-0320-10-1	185 -010	WASHER, lock	A515-0210	1	119-3100-08-2	96 -007	NOZZLE	A515-2000	1
112-0320-10-1	192 -025	WASHER, lock	A515-0205	1	119-3100-09-3	72A-005	NOZZLE	A515-0311	1
112-4910-15-1	75A-006	SUPPORT	A515-4000	1	119-3100-09-3	76 -022	NOZZLE	A515-2102	1
112-4910-41-3	75C-001	CAP	A515-4102	1	119-3100-09-3	76 -027	NOZZLE	A515-2101	1
117-0200-08-2	51 -024	COLLAR	A515-0205	2	119-3100-09-3	76 -034	NOZZLE	A515-2100	1
117-0200-08-2	54 -024	COLLAR	A515-0255	2	119-3100-09-3	77 -002	NOZZLE	A515-2103	1
117-0200-08-2	191 -024	COLLAR	A515-0205	2	119-3100-09-3	77 -012	NOZZLE	A515-2104	1
118-2100-31-1	32 -014	COLLAR	A515-0210	1	119-3100-09-3	77 -022	NOZZLE	A515-2105	1
118-2100-31-1	32 -016	COLLAR	A515-0210	1	119-3100-09-3	77A-032	NOZZLE	A515-2001	1

P A R T S N O . L I S T

PARTS NO.	INDEX NO.	DESCRIPTION	UNIT NO.	QTY	PARTS NO.	INDEX NO.	DESCRIPTION	UNIT NO.	QTY
119-3100-09-3	92A-007	NOZZLE	A515-0321	8	127-4916-62-1	75C-006	COLLAR	A515-4102	1
119-3100-09-3	96-022	NOZZLE	A515-2102	1	127-4916-64-3	75C-007	SHAFT	A515-4102	1
119-3100-09-3	96-027	NOZZLE	A515-2101	1	127-4916-75	75C-008	SHAFT	A515-4102	1
119-3100-09-3	96-034	NOZZLE	A515-2100	1	127-4916-76-2	75C-009	SLEEVE	A515-4102	1
119-3100-09-3	97-002	NOZZLE	A515-2103	1	127-4917-07	173-021	SUPPORT	A515-4150	1
119-3100-09-3	97-012	NOZZLE	A515-2104	1	127-4917-16-2	171-035	SUPPORT	A515-4150	1
119-3100-09-3	97-022	NOZZLE	A515-2105	1	127-4917-16-2	174-029	SUPPORT	A515-4101	1
119-3100-09-3	97-032	NOZZLE	A515-2001	1	127-4917-17-2	171-033	SUPPORT	A515-4150	1
123-3111-30-01	1-019	BLOCK	A515-0109	1	127-4917-17-2	174-027	SUPPORT	A515-4101	1
127-0110-56	1-014	COLLAR	A515-0109	1	127-4917-30-01	171-043	PLATE	A515-4150	1
127-0110-57-02	1-013	COLLAR	A515-0109	1	127-4917-30-01	174-037	PLATE	A515-4101	1
127-0140-05-1	16-008	COLLAR	A515-0144	1	127-4917-31	171-037	JOINT	A515-4150	1
127-0140-11-02	16-007	COLLAR	A515-0144	1	127-4917-31	174-033	JOINT	A515-4101	1
127-0709-59	125-001	NUT	A515-1080	1	127-4917-43	173-029	BOLT	A515-4150	1
127-0709-59	126-001	NUT	A515-4350	1	127-4917-43	176-045	BOLT	A515-4101	1
127-0709-59	225-001	NUT	A515-1080	1	127-4917-47	173-030	DOG	A515-4150	1
127-0709-59	226-001	NUT	A515-4350	1	127-4917-47	175-017	DOG	A515-4101	1
127-3300-26	76-020	BOLT	A515-2102	2	127-4919-23	173-008	COLLAR	A515-4150	1
127-3300-26	76-031	BOLT	A515-2101	2	127-6751-04-01	131-002	CHIP BUCKET	A127-0201	1
127-3300-26	76-038	BOLT	A515-2100	2	127-8300-02-1	76-019	SPACER	A515-2102	1
127-3300-26	96-020	BOLT	A515-2102	2	127-8300-02-1	76-029	SPACER	A515-2101	1
127-3300-26	96-031	BOLT	A515-2101	2	127-8300-02-1	76-036	SPACER	A515-2100	1
127-3300-26	96-038	BOLT	A515-2100	2	127-8300-02-1	96-019	SPACER	A515-2102	1
127-3300-37	72A-004	BLOCK	A515-0311	10	127-8300-02-1	96-029	SPACER	A515-2101	1
127-3300-37	92A-006	BLOCK	A515-0321	8	127-8300-02-1	96-036	SPACER	A515-2100	1
127-4915-72	173-019	STOPPER	A515-4150	1	127-8352-05	72-021	BLOCK (VDI)	A515-2100	1
127-4915-72	176-018	STOPPER	A515-4101	1	127-8352-05	92-022	BLOCK (VDI)	A515-0331	1
127-4916-30	75C-002	COLLAR	A515-4102	1	127-9906-14-2	171-004	PIN	A118-9222	1
127-4916-58-1	75C-003	CAP	A515-4102	1	130-3000-11	19-020	CAP	A515-3061	1
127-4916-60-3	75C-004	STAIRUS	A515-4102	1	130-3000-11	20-008	CAP	A515-3060	1
127-4916-61-1	75C-005	NUT	A515-4102	2	137-6700-06	162-019	COLLAR	A515-4600	1

PARTS NO. LIST

PARTS NO.	INDEX NO.	DESCRIPTION	UNIT NO.	QTY	PARTS NO.	INDEX NO.	DESCRIPTION	UNIT NO.	QTY
141-0114-19-4	16 -013	BLOCK	A515-0144	1	515-0050-28	7 -005	KEY	A515-0155	1
191-6714-17-03	131 -021	CHIP BUCKET	A127-0200	1	515-0050-40-4	7 -007	PULLEY	A515-0155	1
510-0800-31-01	107 -001	BOLT	A515-0880	4	515-0050-40-4	7 -007	PULLEY	A515-0157	1
510-0800-31-01	107 -001	BOLT	A515-0881	4	515-0055-02-01	7 -014	BASE, motor	A515-0054	1
510-0800-31-01	207 -001	BOLT	A515-0881	4	515-0055-06	7 -020	BASE, motor	A515-0054	1
510-0800-31-01	207 -001	BOLT	A515-0880	4	515-0055-07-01	7 -017	PLATE	A515-0054	1
515-0001-08-3	107 -003	SUPPORT	A515-0490	1	515-0055-08	7 -021	BOLT	A515-0054	1
515-0001-08-3	207 -003	SUPPORT	A515-0490	1	515-0055-09	7 -013	WASHER	A515-0054	4
515-0001-11-2	107 -003	SUPPORT	A515-0491	1	515-0090-14-2	31 -017	HOOK	A515-0008	1
515-0001-11-2	207 -003	SUPPORT	A515-0491	1	515-0090-16-01	181 -017	HOOK	A515-1086	1
515-0001-17-01	7 -015	KEY, feather	A515-0054	1	515-0090-17-1	31 -011	HOOK	A515-0008	1
515-0002-12	31 -024	HOOK	A515-0008	1	515-0090-17-1	181 -011	HOOK	A515-0008	1
515-0002-12	181 -024	HOOK	A515-0008	1	515-0100-02-12	1 -018	MAIN SPINDLE	A515-0107	1
515-0002-14-8	31 -021	SUPPORT	A515-0008	1	515-0100-12-01	2 -017	KEY	A515-0109	1
515-0002-14-8	181 -021	SUPPORT	A515-0008	1	515-0100-15	2 -011	HOLDER	A515-0109	1
515-0002-15-8	31 -020	SUPPORT	A515-0008	1	515-0100-22-03	1 -016	LABYRINTH	A515-0109	1
515-0002-15-8	181 -020	SUPPORT	A515-0008	1	515-0100-23-6	1 -017	LABYRINTH	A515-0109	1
515-0006-02-01	31 -016	SUPPORT	A515-1061	1	515-0100-36-1	1 -020	BOLT	A515-0109	1
515-0006-02-01	181 -016	SUPPORT	A515-1086	1	515-0100-50	3 -003	NUT, lock 90	A515-0107	1
515-0006-04-02	32 -005	RAIL	A515-0008	1	515-0100-56	1 -022	CAP	A515-0109	1
515-0006-04-02	182 -005	RAIL	A515-0008	1	515-0100-57-1	1 -024	LABYRINTH	A515-0109	1
515-0006-05-02	32 -024	RAIL	A515-0008	1	515-0100-62-10	3 -034	HEADSTOCK	A515-0108	1
515-0006-05-02	182 -024	RAIL	A515-0008	1	515-0100-63-01	2 -019	CAP	A515-0108	1
515-0006-06-02	35 -005	RAIL	A515-0008	1	515-0100-63-01	17 -019	CAP	A515-0144	1
515-0006-07-02	31 -006	SUPPORT	A515-0008	1	515-0100-77	3 -014	HOLDER	A515-0109	1
515-0006-07-02	181 -006	SUPPORT	A515-0008	1	515-0100-78	3 -028	PLATE	A515-0109	1
515-0006-11-03	31 -001	BED	A515-0008	1	515-0100-80-04	2 -016	HOUSING	A515-0109	1
515-0006-11-03	181 -001	BED	A515-0008	1	515-0100-81-01	3 -008	COLLAR	A515-0109	1
515-0050-27-01	7 -006	SLEEVE	A515-0157	1	515-0100-84-02	3 -016	HOUSING	A515-0109	1
515-0050-27-01	7 -006	SLEEVE	A515-0155	1	515-0100-85	3 -017	LABYRINTH	A515-0109	1
515-0050-28	7 -005	KEY	A515-0157	1	515-0100-86-01	1 -011	HOUSING	A515-0109	1

PARTS NO. LIST

9205

PARTS NO.	INDEX NO.	DESCRIPTION	UNIT NO.	QTY	PARTS NO.	INDEX NO.	DESCRIPTION	UNIT NO.	QTY
515-0100-87	1 -027	LABYRINTH	A515-0109	1	515-0153-08-02	17 -007	FLANGE	A515-0157	1
515-0101-10-2	2 -013	COLLAR	A515-0109	1	515-0200-03-1	34 -018	PLATE	A515-0205	1
515-0101-24-02	18 -010	HOLDER	A515-0144	1	515-0200-03-1	184 -018	PLATE	A515-0205	1
515-0110-27-01	18 -024	SUPPORT	A515-0144	1	515-0200-06-2	52 -031	BASE, motor	A515-0230	1
515-0140-01-12	16 -012	MAIN SPINDLE	A515-0144	1	515-0200-06-2	192 -031	BASE, motor	A515-0230	1
515-0140-06-01	17 -017	KEY	A515-0144	1	515-0200-07-2	34 -012	PLATE	A515-0205	1
515-0140-24-1	113 -025	COVER	A515-0144	1	515-0200-07-2	51 -002	PLATE	A515-0205	1
515-0140-24-1	213 -025	COVER	A515-0144	1	515-0200-07-2	184 -012	PLATE	A515-0205	1
515-0140-28-3	2 -022	CAP	A515-0108	1	515-0200-07-2	191 -002	PLATE	A515-0205	1
515-0140-28-3	17 -022	CAP	A515-0132	1	515-0200-17-01	52 -002	KEY	A515-0230	1
515-0140-38-02	16 -011	LABYRINTH	A515-0144	1	515-0200-17-01	192 -002	KEY	A515-0230	1
515-0140-39-03	16 -010	LABYRINTH	A515-0144	1	515-0201-05-2	37 -022	GIB	A515-0255	1
515-0140-42-01	3 -021	COVER	A515-0109	1	515-0201-08-1	37 -013	BLOCK	A515-0255	1
515-0140-42-01	18 -017	COVER	A515-0144	1	515-0201-08-1	147 -037	BLOCK	A515-0405	1
515-0140-45	18 -003	NUT 90	A515-0144	1	515-0201-08-1	152 -032	BLOCK	A515-0405	1
515-0140-46-1	17 -013	COLLAR	A515-0144	1	515-0201-08-1	237 -037	BLOCK	A515-0405	1
515-0140-51	17 -004	COLLAR	A515-0144	1	515-0201-08-1	242 -032	BLOCK	A515-0405	1
515-0140-52	17 -005	SLEEVE	A515-0144	1	515-0201-17-03	37 -007	SUPPORT	A515-0255	1
515-0140-58-09	18 -030	HEADSTOCK (M120UL	A515-0144	1	515-0205-01-8	34 -011	SADDLE	A515-0205	1
515-0140-62-04	17 -016	HOUSING	A515-0144	1	515-0205-01-8	184 -011	SADDLE	A515-0205	1
515-0140-63-01	18 -007	PLATE	A515-0144	1	515-0205-02-05	34 -021	PLATE	A515-0205	1
515-0140-64-01	16 -003	NUT	A515-0144	1	515-0205-02-05	184 -021	PLATE	A515-0205	1
515-0140-67-01	18 -012	HOUSING	A515-0132	1	515-0205-03-01	34 -017	GIB	A515-0205	1
515-0140-68-01	18 -013	COLLAR	A515-0144	1	515-0205-03-01	184 -017	GIB	A515-0205	1
515-0140-69-01	16 -005	HOUSING	A515-0144	1	515-0205-04	34 -022	GIB	A515-0205	1
515-0140-70	16 -004	LABYRINTH	A515-0144	1	515-0205-04	184 -022	GIB	A515-0205	1
515-0150-09-3	2 -009	PULLEY	A515-0155	1	515-0210-01-8	53 -007	CROSS-SLIDE	A515-0205	1
515-0150-11-03	2 -007	FLANGE	A515-0155	1	515-0210-01-8	193 -007	CROSS-SLIDE	A515-0205	1
515-0151-08	2 -027	COLLAR	A515-0107	1	515-0210-02-3	53 -002	PLATE	A515-0205	1
515-0151-09-01	2 -005	SLEEVE	A515-0109	1	515-0210-02-3	193 -002	PLATE	A515-0205	1
515-0153-05-01	17 -009	PULLEY	A515-0158	1	515-0210-03-4	53 -019	PLATE	A515-0205	1

OKUMA Corporation

LR15 ISC, 2SC

PARTS NO. LIST

PARTS NO.	INDEX NO.	DESCRIPTION	UNIT NO.	QTY	PARTS NO.	INDEX NO.	DESCRIPTION	UNIT NO.	QTY
515-0210-03-4	193-019	PLATE	A515-0205	1	515-0220-11-2	216-006	DOG	A515-0205	2
515-0210-04-5	53-014	GIB	A515-0205	1	515-0220-13-2	116-017	SUPPORT	A515-0205	1
515-0210-04-5	193-014	GIB	A515-0205	1	515-0220-13-2	216-017	SUPPORT	A515-0205	1
515-0210-05-2	53-017	GIB	A515-0205	2	515-0220-14-2	75-005	COVER	A515-0300	1
515-0210-05-2	193-017	GIB	A515-0205	2	515-0220-15-2	75-020	SUPPORT	A515-0300	1
515-0210-06-2	53-001	GIB	A515-0205	2	515-0220-16-1	75-003	SUPPORT	A515-0300	1
515-0210-06-2	193-001	GIB	A515-0205	2	515-0220-17-7	75-002	COVER	A515-0300	1
515-0211-01-7	56-007	CROSS-SLIDE	A515-0255	1	515-0220-19-1	53-022	SUPPORT	A515-0205	1
515-0211-02-4	56-001	PLATE	A515-0255	1	515-0220-19-1	193-022	SUPPORT	A515-0205	1
515-0211-03-5	56-025	PLATE	A515-0255	1	515-0220-28-1	142-008	PLATE	A515-0420	3
515-0211-04-3	56-023	GIB	A515-0255	1	515-0220-28-1	232-008	PLATE	A515-0420	3
515-0211-05-2	56-003	GIB	A515-0255	2	515-0220-39	52-001	KEY	A515-0230	1
515-0211-12-1	56-015	COVER	A515-0255	1	515-0220-39	55-023	KEY	A515-0255	1
515-0211-13-2	56-017	WIPER	A515-0255	1	515-0220-39	192-001	KEY	A515-0230	1
515-0211-14-1	56-020	WIPER	A515-0255	1	515-0220-41-4	116-001	BRACKET	A515-0300	1
515-0211-15-1	56-014	WIPER	A515-0255	1	515-0220-43-1	51-006	NUT	A515-0205	1
515-0211-17-3	94-037	SUPPORT	A515-0301	1	515-0220-43-1	54-031	NUT	A515-0255	1
515-0211-23-2	54-036	PLATE	A515-0255	1	515-0220-43-1	191-006	NUT	A515-0205	1
515-0220-02-4	51-004	HOUSING	A515-0205	1	515-0220-46-1	51-009	HOUSING	A515-0205	1
515-0220-02-4	191-004	HOUSING	A515-0205	1	515-0220-46-1	191-009	HOUSING	A515-0205	1
515-0220-03-5	51-019	PLATE	A515-0205	1	515-0220-47	216-001	BRACKET	A515-1086	1
515-0220-03-5	191-019	PLATE	A515-0205	1	515-0221-01-6	54-021	HOUSING	A515-0255	1
515-0220-04	51-017	CAP	A515-0205	1	515-0221-02	54-026	CAP	A515-0255	1
515-0220-04	191-017	CAP	A515-0205	1	515-0221-03-1	54-029	COLLAR	A515-0255	1
515-0220-06-3	51-013	COLLAR	A515-0205	1	515-0221-04-2	54-033	COLLAR	A515-0255	1
515-0220-06-3	191-013	COLLAR	A515-0205	1	515-0221-06-02	36-015	KEY	A515-0210	1
515-0220-07-2	51-008	COLLAR	A515-0205	1	515-0221-07-6	55-031	BASE, motor	A515-0255	1
515-0220-07-2	191-008	COLLAR	A515-0205	1	515-0221-08-01	55-034	WASHER	A515-0255	1
515-0220-08-4	116-015	COVER	A515-0205	1	515-0221-23	55-033	NUT	A515-0255	1
515-0220-08-4	216-015	COVER	A515-0205	1	515-0221-25-1	55-049	NUT	A515-0255	4
515-0220-11-2	116-006	DOG	A515-0205	2	515-0221-32	55-048	WASHER	A515-0255	4

PARTS NO. LIST

PARTS NO.	INDEX NO.	DESCRIPTION	UNIT NO.	QTY	PARTS NO.	INDEX NO.	DESCRIPTION	UNIT NO.	QTY
515-0221-38	54 -039	BUSHING	A515-0255	1	515-0231-06-2	36 -052	PLATE	A515-0216	1
515-0221-42-5	54 -015	PLATE	A515-0255	1	515-0231-12-02	36 -053	BRACKET	A515-0216	1
515-0221-44	52 -040	SPACER	A515-0205	1	515-0231-13-02	36 -055	DOG	A515-0216	1
515-0221-44	55 -047	SPACER	A515-0255	1	515-0240-16-2	116 -021	DUCT	A515-0205	1
515-0221-44	192 -040	SPACER	A515-0205	1	515-0240-16-2	216 -021	DUCT	A515-0205	1
515-0221-45-1	117 -015	COVER	A515-0255	1	515-0240-17	115 -043	SUPPORT	A515-0285	1
515-0230-01-2	39 -002	BASE, motor	A515-0210	1	515-0251-04	117 -018	SUPPORT	A515-0255	1
515-0230-01-2	39 -013	BASE, motor	A515-0210	1	515-0251-08-01	117 -011	CAP	A515-0255	1
515-0230-01-2	185 -002	BASE, motor	A515-0210	1	515-0251-09-3	95 -021	COVER	A515-0303	1
515-0230-06-05	32 -021	BRACKET	A515-0215	1	515-0251-11	117 -033	COVER	A515-0256	1
515-0230-06-05	182 -021	BRACKET	A515-0215	1	515-0251-14-01	95 -021	COVER	A515-0500	1
515-0230-08-6	33 -051	BRACKET	A515-0215	1	515-0251-49-01	117 -005	COVER	A515-0255	1
515-0230-08-6	183 -051	BRACKET	A515-0215	1	515-0255-01-10	37 -003	SADDLE	A515-0255	1
515-0230-10	33 -015	STOPPER	A515-0285	1	515-0255-02-6	37 -021	PLATE	A515-0255	1
515-0230-10	183 -015	STOPPER	A515-0285	1	515-0255-03-01	37 -011	GIB	A515-0255	1
515-0230-11-1	33 -005	DOG	A515-0215	1	515-0255-04	117 -003	CAP	A515-0255	1
515-0230-11-1	183 -005	DOG	A515-0215	1	515-0255-05-1	117 -001	CAP	A515-0255	1
515-0230-12-2	33 -009	DOG	A515-0215	1	515-0255-06-3	117 -024	DUCT	A515-0256	1
515-0230-12-2	183 -009	DOG	A515-0215	1	515-0255-07-01	117 -036	COVER	A515-0256	1
515-0230-15-01	32 -011	CAP	A515-0210	1	515-0255-08-02	38 -013	PLATE	A515-0255	1
515-0230-15-01	35 -010	CAP	A515-0210	1	515-0255-09	38 -016	CAP	A515-0255	1
515-0230-15-01	182 -011	CAP	A515-0210	1	515-0255-10	38 -028	COVER	A515-0255	1
515-0230-29-01	32 -017	BRACKET	A515-0215	1	515-0255-11	38 -006	PLATE	A515-0255	1
515-0230-29-01	182 -017	BRACKET	A515-0215	1	515-0255-12-04	38 -023	PLATE	A515-0255	1
515-0230-33-01	33 -001	COVER	A515-0215	1	515-0255-14	38 -020	COVER	A515-0255	1
515-0230-33-01	183 -001	COVER	A515-0215	1	515-0255-17	38 -056	PLATE	A515-0255	1
515-0230-36-01	33 -010	KEY	A515-0210	1	515-0255-18	38 -057	PLATE	A515-0255	1
515-0230-36-01	36 -010	STOPPER	A515-0266	2	515-0255-19	38 -038	COVER	A515-0255	1
515-0230-36-01	183 -010	KEY	A515-0210	1	515-0255-21	38 -074	PLATE	A515-0255	1
515-0231-01-06	35 -016	BRACKET	A515-0216	1	515-0255-24	38 -052	PLATE	A515-0255	1
515-0231-02-04	35 -018	BRACKET	A515-0216	1	515-0255-25	38 -053	PLATE	A515-0255	1

PARTS NO. LIST

PARTS NO.	INDEX NO.	DESCRIPTION	UNIT NO.	QTY	PARTS NO.	INDEX NO.	DESCRIPTION	UNIT NO.	QTY
515-0255-27	38 -072	PLATE	A515-0255	1	515-0300-23-1	74 -017	PIN	A515-0301	1
515-0255-28	37 -027	GIB	A515-0255	1	515-0300-23-1	94 -008	PIN	A515-0301	1
515-0255-28	147 -035	GIB	A515-0405	1	515-0300-27-4	74 -006	JOINT	A515-0300	1
515-0255-28	152 -030	GIB	A515-0405	1	515-0300-35-01	75A-009	SUPPORT	A515-4000	1
515-0255-28	237 -035	GIB	A515-0405	1	515-0300-42-4	74 -008	JOINT	A515-0300	1
515-0255-28	242 -030	GIB	A515-0405	1	515-0300-56-2	71 -024	HOUSING	A515-0300	1
515-0255-29	37 -028	GIB	A515-0255	1	515-0300-61-01	73 -022	GEAR	A515-0300	1
515-0255-29	147 -036	GIB	A515-0405	1	515-0300-61-1	93 -010	GEAR	A515-0301	1
515-0255-29	152 -031	GIB	A515-0405	1	515-0300-62	93 -040	COLLAR	A515-0301	1
515-0255-29	237 -036	GIB	A515-0405	1	515-0300-63	74 -010	MANIFOLD	A515-0300	1
515-0255-29	242 -031	GIB	A515-0405	1	515-0300-64	74 -019	MANIFOLD	A515-0300	1
515-0255-30	37 -026	PLATE	A515-0255	1	515-0300-81-01	94 -038	THROTTLE	A515-0301	1
515-0255-32	38 -060	BLOCK	A515-0258	1	515-0300-85-01	74 -021	THROTTLE	A515-0300	1
515-0255-33	38 -062	BLOCK	A515-0258	1	515-0300-87-01	74 -020	THROTTLE	A515-0300	1
515-0255-34	38 -077	BLOCK	A515-0258	1	515-0300-87-01	94 -039	THROTTLE	A515-0301	1
515-0255-35	38 -046	BLOCK	A515-0258	1	515-0300-88-01	94 -040	THROTTLE	A515-0301	1
515-0255-36	38 -049	BLOCK	A515-0258	1	515-0300-96	74 -022	THROTTLE	A515-0300	1
515-0255-37	38 -068	BLOCK	A515-0258	1	515-0301-02-6	92 -015	CLUTCH	A515-0301	1
515-0300-01-9	71 -019	GEAR BOX	A515-0300	1	515-0301-03-5	91 -004	CLUTCH	A515-0301	1
515-0300-02-3	75 -011	COVER	A515-0300	1	515-0301-04-3	91 -002	RING	A515-0301	1
515-0300-04-5	71 -007	CLUTCH	A515-0300	1	515-0301-05-2	91 -010	FLANGE	A515-0301	1
515-0300-05-8	72 -026	CLUTCH	A515-0300	1	515-0301-07-6	91 -006	SHAFT	A515-0301	1
515-0300-06-4	71 -004	RING	A515-0300	1	515-0301-08-4	91 -014	PISTON	A515-0301	1
515-0300-08-3	73 -002	PLATE	A515-0300	1	515-0301-09-01	91 -018	NUT	A515-0301	1
515-0300-10-2	73 -004	PLATE	A515-0300	1	515-0301-10-1	93 -002	KEY	A515-0301	1
515-0300-12-8	71 -002	SHAFT	A515-0300	1	515-0301-16-01	91 -017	GEAR	A515-0301	1
515-0300-13-2	71 -016	PISTON	A515-0300	1	515-0301-20-4	93 -016	PLATE	A515-0301	1
515-0300-14-01	71 -020	GEAR	A515-0300	1	515-0301-26-3	94 -027	SUPPORT	A515-0301	1
515-0300-16-2	71 -021	NUT	A515-0300	1	515-0301-27-3	94 -004	SUPPORT	A515-0301	1
515-0300-18-02	72 -015	PIPE, steel	A515-4005	1	515-0301-28-2	94 -006	SUPPORT	A515-0301	1
515-0300-19-1	73 -001	KEY	A515-0300	1	515-0301-29-3	95 -027	SPACER	A515-0255	1

P A R T S N O . L I S T

PARTS NO.	INDEX NO.	DESCRIPTION	UNIT NO.	QTY	PARTS NO.	INDEX NO.	DESCRIPTION	UNIT NO.	QTY
515-0301-34-3	94-031	JOINT	A515-0301	1	515-0310-45	72-014	FLANGE	A515-4005	1
515-0301-37-2	92-008	VALVE	A515-0320	8	515-0311-01-4	72A-006	TURRET 10M	A515-0311	1
515-0301-38-3	92-010	FLANGE	A515-0303	1	515-0311-02-1	72A-002	CAP	A515-0311	1
515-0301-38-3	92-010	FLANGE	A515-0320	1	515-0320-01-10	92-014	TURRET	A515-0320	1
515-0301-39-1	92-003	CAP	A515-0303	1	515-0322-01-3	92A-009	TURRET (V8)	A515-0321	1
515-0301-41-1	75-021	BUSHING	A515-0301	2	515-0322-02	92A-004	FLANGE	A515-0321	1
515-0301-41-1	95-014	BUSHING	A515-0301	2	515-0322-03	92A-001	CAP	A515-0321	1
515-0301-47-1	95-002	COVER	A515-0301	1	515-0322-04	92A-010	THROTTLE	A515-0321	1
515-0301-48	95-003	VALVE	A515-0301	1	515-0322-05	92A-008	SCREW	A515-0321	8
515-0301-50	94-025	JOINT	A515-0301	1	515-0322-06	92A-002	FLANGE	A515-0321	1
515-0301-54	95-008	CAP	A515-0303	1	515-0322-07	92A-003	PIPE	A515-0321	1
515-0301-60	93-020	SUPPORT	A515-0303	1	515-0330-57-1	75A-005	RING	A515-4000	1
515-0301-61-2	93-005	BLOCK	A515-0301	1	515-0350-01	72-020	PIN (VDI)	A515-0331	1
515-0301-62	92-007	PIPE	A515-0303	1	515-0350-01	92-021	PIN (VDI)	A515-0331	1
515-0301-63	93-029	JOINT	A515-0303	1	515-0350-65-1	75-018	SPACER	A515-0300	1
515-0301-68-01	94-019	MANIFOLD	A515-0301	1	515-0400-05-5	146-024	SHAFT	A515-0410	1
515-0301-69-02	91-016	GEAR BOX	A515-0301	1	515-0400-05-5	151-015	SHAFT	A515-0410	1
515-0301-74	92-005	FLANGE	A515-0303	1	515-0400-05-5	236-024	SHAFT	A515-0405	1
515-0308-12-1	93-026	SUPPORT	A515-0301	1	515-0400-08-1	241-015	SHAFT	A515-0410	1
515-0310-01-14	72-025	TURRET	A515-0310	1	515-0400-08-1	148-003	GIB	A515-0405	1
515-0310-03-1	72-007	VALVE	A515-0310	10	515-0400-08-1	153-003	GIB	A515-0405	1
515-0310-03-1	72A-001	THROTTLE	A515-0311	1	515-0400-08-1	238-003	GIB	A515-0405	1
515-0310-17-1	72-011	CAP	A515-0310	1	515-0400-08-1	243-003	GIB	A515-0405	1
515-0310-18	72-003	CAP	A515-4005	1	515-0400-09-4	145-021	PLATE	A515-0405	1
515-0310-36-01	73-019	BRACKET	A515-4005	1	515-0400-09-4	150-010	PLATE	A515-0405	1
515-0310-37	73-020	PLATE	A515-4005	1	515-0400-09-4	235-021	PLATE	A515-0405	1
515-0310-38	73-021	JOINT	A515-4005	1	515-0400-09-4	240-010	PLATE	A515-0405	1
515-0310-41	75B-006	PIPE	A515-4000	1	515-0400-11-4	145-016	PLATE	A515-0405	1
515-0310-42	75B-003	PIPE	A515-4000	1	515-0400-11-4	150-009	PLATE	A515-0405	1
515-0310-43	75A-007	BRACKET	A515-4000	1	515-0400-11-4	235-016	PLATE	A515-0405	1
515-0310-44	75A-008	PLATE	A515-4000	1	515-0400-11-4	240-009	PLATE	A515-0405	1

P A R T S N O . L I S T

PARTS NO.	INDEX NO.	DESCRIPTION	UNIT NO.	QTY	PARTS NO.	INDEX NO.	DESCRIPTION	UNIT NO.	QTY
515-0400-13-4	147 -020	PLATE	A515-0405	1	515-0400-56-5	153 -012	SUPPORT	A515-0413	1
515-0400-13-4	152 -013	PLATE	A515-0405	1	515-0400-56-5	238 -012	SUPPORT	A515-0412	1
515-0400-13-4	237 -020	PLATE	A515-0405	1	515-0400-56-5	243 -012	SUPPORT	A515-0413	1
515-0400-13-4	242 -013	PLATE	A515-0405	1	515-0400-61-2	144 -014	PIN, parallel 8X16	A515-0412	2
515-0400-14-2	147 -033	GIB	A515-0405	1	515-0400-61-2	145 -018	PIN, parallel 8X16	A515-0412	2
515-0400-14-2	152 -027	GIB	A515-0405	1	515-0400-61-2	234 -014	PIN	A515-0412	2
515-0400-14-2	237 -033	GIB	A515-0405	1	515-0400-61-2	235 -018	PIN, parallel 8X16	A515-0412	2
515-0400-14-2	242 -027	GIB	A515-0405	1	515-0400-62-01	144 -013	PIN	A515-0412	2
515-0400-15-5	148 -002	PLATE	A515-0412	1	515-0400-62-01	145 -017	PIN	A515-0412	2
515-0400-15-5	238 -002	PLATE	A515-0412	1	515-0400-62-01	234 -013	PIN	A515-0412	2
515-0400-16-7	148 -005	PLATE	A515-0405	1	515-0400-62-01	235 -017	PIN	A515-0412	2
515-0400-16-7	153 -005	PLATE	A515-0405	1	515-0400-69-2	149 -032	CAP	A515-0413	2
515-0400-16-7	238 -005	PLATE	A515-0405	1	515-0400-69-2	239 -032	CAP	A515-0413	2
515-0400-16-7	243 -005	PLATE	A515-0405	1	515-0400-70-3	149 -031	SHAFT	A515-0413	2
515-0400-17-3	147 -010	SUPPORT	A515-0405	1	515-0400-70-3	239 -031	SHAFT	A515-0413	2
515-0400-17-3	152 -035	SUPPORT	A515-0405	1	515-0400-71-01	150 -011	BLOCK	A515-0413	2
515-0400-17-3	237 -010	SUPPORT	A515-0405	1	515-0400-71-01	240 -011	BLOCK	A515-0413	2
515-0400-17-3	242 -035	SUPPORT	A515-0405	1	515-0400-74-2	150 -002	CAP	A515-0413	2
515-0400-22-1	146 -019	CAP	A515-0412	1	515-0400-74-2	240 -002	CAP	A515-0413	2
515-0400-22-1	236 -019	CAP	A515-0412	1	515-0400-77-2	151 -035	CAP	A515-0413	1
515-0400-24	144 -015	CAP	A515-0412	2	515-0400-77-2	241 -035	CAP	A515-0413	1
515-0400-24	145 -011	CAP	A515-0412	2	515-0400-81-5	151 -026	JOINT	A515-0413	1
515-0400-24	234 -015	CAP	A515-0412	2	515-0400-81-5	241 -026	JOINT	A515-0413	1
515-0400-24	235 -011	CAP	A515-0412	2	515-0400-82	151 -030	PIN	A515-0413	1
515-0400-35-1	146 -035	SUPPORT	A515-0410	1	515-0400-82	241 -030	PIN	A515-0413	1
515-0400-35-1	151 -022	SUPPORT	A515-0410	1	515-0400-90-2	152 -014	PLATE	A515-0413	1
515-0400-35-1	236 -035	SUPPORT	A515-0410	1	515-0400-90-2	242 -014	PLATE	A515-0413	1
515-0400-35-1	241 -022	SUPPORT	A515-0410	1	515-0400-91-5	153 -002	PLATE	A515-0413	1
515-0400-55-3	147 -015	COVER	A515-0412	1	515-0400-91-5	243 -002	PLATE	A515-0413	1
515-0400-55-3	237 -015	COVER	A515-0412	1	515-0400-92-1	151 -042	CAM	A515-0413	1
515-0400-56-5	148 -012	SUPPORT	A515-0412	1	515-0400-92-1	241 -042	CAM	A515-0413	1

PARTS NO. LIST

PARTS NO.	INDEX NO.	DESCRIPTION	UNIT NO.	QTY	PARTS NO.	INDEX NO.	DESCRIPTION	UNIT NO.	QTY
515-0400-93-3	151 -041	CAP	A515-0413	1	515-0401-22-01	152 -023	BLOCK	A515-0413	1
515-0400-93-3	241 -041	CAP	A515-0413	1	515-0401-22-01	242 -023	BLOCK	A515-0413	1
515-0400-94-2	151 -040	SHAFT	A515-0413	1	515-0401-24	147 -013	BOLT	A515-0405	2
515-0400-94-2	241 -040	SHAFT	A515-0413	1	515-0401-24	152 -009	BOLT	A515-0405	2
515-0400-95-4	151 -043	SUPPORT	A515-0413	1	515-0401-24	237 -013	BOLT	A515-0405	2
515-0400-95-4	241 -043	SUPPORT	A515-0413	1	515-0401-24	242 -009	BOLT	A515-0405	2
515-0401-03-01	238 -012	SUPPORT	A515-1086	1	515-0401-25	147 -005	BOLT	A515-0405	2
515-0401-03-01	243 -012	SUPPORT	A515-1086	1	515-0401-25	152 -005	BOLT	A515-0405	2
515-0401-04-2	146 -026	BUSHING	A515-0410	1	515-0401-25	237 -005	BOLT	A515-0405	2
515-0401-04-2	151 -017	BUSHING	A515-0410	1	515-0401-25	242 -005	BOLT	A515-0405	2
515-0401-04-2	241 -017	BUSHING	A515-0410	1	515-0401-45-10	147 -002	BASE	A515-0412	1
515-0401-06-1	144 -023	PLATE	A515-0405	2	515-0401-45-10	237 -002	BASE	A515-0412	1
515-0401-06-1	150 -015	PLATE	A515-0405	1	515-0401-46-03	152 -017	PLATE	A515-0405	1
515-0401-06-1	150 -016	PLATE	A515-0405	1	515-0401-46-03	242 -017	PLATE	A515-0405	1
515-0401-06-1	234 -023	PLATE	A515-0405	2	515-0401-46-3	147 -024	PLATE	A515-0405	1
515-0401-06-1	240 -015	PLATE	A515-0405	1	515-0401-46-3	237 -024	PLATE	A515-0405	1
515-0401-06-1	240 -016	PLATE	A515-0405	1	515-0401-47	147 -003	GIB	A515-0405	1
515-0401-13-3	151 -031	PIPE, steel	A515-0413	1	515-0401-47	152 -003	GIB	A515-0405	1
515-0401-13-3	241 -031	PIN, steel	A515-0413	1	515-0401-47	237 -003	GIB	A515-0405	1
515-0401-14	151 -033	BOLT	A515-0413	1	515-0401-47	242 -003	GIB	A515-0405	1
515-0401-14	241 -033	BOLT	A515-0413	1	515-0401-48	147 -008	PLATE	A515-0405	2
515-0401-17-01	150 -012	BOLT	A515-0413	2	515-0401-48	152 -008	PLATE	A515-0405	2
515-0401-17-01	240 -012	BOLT	A515-0413	2	515-0401-48	237 -008	PLATE	A515-0405	2
515-0401-18-01	150 -003	COVER	A515-0413	1	515-0401-48	242 -008	PLATE	A515-0405	2
515-0401-18-01	240 -003	COVER	A515-0413	1	515-0401-49-01	145 -005	LINK	A515-0412	2
515-0401-19-01	150 -007	BOLT	A515-0413	2	515-0401-49-01	235 -005	LINK	A515-0412	2
515-0401-19-01	240 -007	BOLT	A515-0413	2	515-0401-50	144 -024	SCREW (RIGHT)	A515-0412	1
515-0401-20-01	151 -038	BLOCK	A515-0407	1	515-0401-50	145 -010	SCREW (RIGHT)	A515-0412	1
515-0401-20-01	241 -038	BLOCK	A515-0407	1	515-0401-50	234 -024	SCREW (RIGHT)	A515-0412	1
515-0401-21-8	152 -002	BASE	A515-0413	1	515-0401-50	235 -010	SCREW (RIGHT)	A515-0412	1
515-0401-21-8	242 -002	BASE	A515-0413	1	515-0401-51	144 -012	SCREW (LEFT)	A515-0412	1

PARTS NO. LIST

PARTS NO.	INDEX NO.	DESCRIPTION	UNIT NO.	QTY	PARTS NO.	INDEX NO.	DESCRIPTION	UNIT NO.	QTY
515-0401-51	145 -022	SCREW (LEFT)	A515-0412	1	515-0401-60-01	146 -021	SUPPORT	A515-0406	1
515-0401-51	234 -012	SCREW (LEFT)	A515-0412	1	515-0401-60-01	236 -021	SUPPORT	A515-0406	1
515-0401-51	235 -022	SCREW (LEFT)	A515-0412	1	515-0401-61-06	146 -017	SHAFT	A515-0412	1
515-0401-52-01	144 -025	SCREW (RIGHT)	A515-0412	1	515-0401-61-06	236 -017	SHAFT	A515-0412	1
515-0401-52-01	145 -013	SCREW (RIGHT)	A515-0412	1	515-0401-62-01	146 -013	SUPPORT	A515-0412	1
515-0401-52-01	234 -025	SCREW (RIGHT)	A515-0412	1	515-0401-62-01	236 -013	SUPPORT	A515-0412	1
515-0401-52-01	235 -013	SCREW (RIGHT)	A515-0412	1	515-0401-63	146 -011	SHAFT	A515-0412	1
515-0401-53-01	144 -019	SCREW (LEFT)	A515-0412	1	515-0401-63	236 -011	SHAFT	A515-0412	1
515-0401-53-01	145 -023	SCREW (LEFT)	A515-0412	1	515-0401-64-02	146 -008	SHAFT	A515-0412	1
515-0401-53-01	234 -019	SCREW (LEFT)	A515-0412	1	515-0401-64-02	236 -008	SHAFT	A515-0412	1
515-0401-53-01	235 -023	SCREW (LEFT)	A515-0412	1	515-0401-67-03	146 -002	BRACKET	A515-0412	1
515-0401-54-02	144 -021	LEVER	A515-0412	2	515-0401-67-03	236 -002	BRACKET	A515-0412	1
515-0401-54-02	145 -014	LEVER	A515-0412	2	515-0401-68	143 -027	SUPPORT	A515-0412	1
515-0401-54-02	234 -021	LEVER	A515-0412	2	515-0401-68	233 -027	SUPPORT	A515-0412	1
515-0401-54-02	235 -014	LEVER	A515-0412	2	515-0401-69	143 -025	PLATE	A515-0412	2
515-0401-55	144 -003	PIN	A515-0412	2	515-0401-69	233 -025	PLATE	A515-0412	2
515-0401-55	145 -006	PIN	A515-0412	2	515-0401-70-01	143 -013	PLATE	A515-0412	1
515-0401-55	234 -003	PIN	A515-0412	2	515-0401-70-01	233 -013	PLATE	A515-0412	1
515-0401-55	235 -006	PIN	A515-0412	2	515-0401-71	143 -019	PLATE	A515-0412	1
515-0401-56-01	144 -010	NUT	A515-0412	2	515-0401-71	233 -019	PLATE	A515-0412	1
515-0401-56-01	145 -008	NUT	A515-0412	2	515-0401-72	143 -012	PLATE	A515-0412	1
515-0401-56-01	234 -010	NUT	A515-0412	2	515-0401-72	233 -012	PLATE	A515-0412	1
515-0401-56-01	235 -008	NUT	A515-0412	2	515-0401-73	146 -030	DOG	A515-0410	1
515-0401-57	145 -009	SHAFT	A515-0412	2	515-0401-73	151 -013	DOG	A515-0410	1
515-0401-57	235 -009	SHAFT	A515-0412	2	515-0401-73	236 -030	DOG	A515-0405	1
515-0401-58	144 -011	SHAFT	A515-0412	2	515-0401-73	241 -013	DOG	A515-0410	1
515-0401-58	234 -011	SHAFT	A515-0412	2	515-0401-74	147 -032	MANIFOLD	A515-0412	1
515-0401-59	144 -008	JOINT	A515-0412	1	515-0401-74	237 -032	MANIFOLD	A515-0412	1
515-0401-59	145 -025	JOINT	A515-0412	1	515-0401-75-03	143 -006	SUPPORT	A515-0412	1
515-0401-59	234 -008	JOINT	A515-0412	1	515-0401-75-03	233 -006	SUPPORT	A515-0412	1
515-0401-59	235 -025	JOINT	A515-0412	1	515-0401-76	143 -030	SUPPORT	A515-0412	1

PARTS NO. LIST

PARTS NO.	INDEX NO.	DESCRIPTION	UNIT NO.	QTY	PARTS NO.	INDEX NO.	DESCRIPTION	UNIT NO.	QTY
515-0401-78	233 -030	SUPPORT	A515-0412	1	515-0410-31-2	154 -003	COVER	A515-0422	1
515-0410-03-3	142 -002	CAP	A515-0410	1	515-0410-31-2	244 -003	COVER	A515-0424	1
515-0410-03-3	153 -016	CAP	A515-0410	1	515-0410-32-3	154 -004	COVER	A515-0422	1
515-0410-03-3	232 -002	CAP	A515-0411	1	515-0410-32-3	244 -004	COVER	A515-0424	1
515-0410-03-3	243 -016	CAP	A515-0411	1	515-0410-33	154 -035	COLLAR	A515-0422	1
515-0410-04-3	141 -015	SLEEVE	A515-0421	1	515-0410-33	244 -035	COLLAR	A515-0424	1
515-0410-04-3	149 -015	SLEEVE	A515-0421	1	515-0410-34-01	154 -036	NUT	A515-0422	1
515-0410-07-3	141 -022	SHAFT	A515-0410	1	515-0410-34-01	244 -036	NUT	A515-0424	1
515-0410-07-3	149 -022	SHAFT	A515-0410	1	515-0410-35	154 -033	COLLAR	A515-0422	1
515-0410-07-3	154 -012	SHAFT	A515-0410	1	515-0410-35	244 -033	COLLAR	A515-0424	1
515-0410-08	141 -025	PISTON	A515-0410	1	515-0410-36-9	149 -017	TAILSTOCK	A515-0407	1
515-0410-08	149 -025	PISTON	A515-0410	1	515-0410-39-2	154 -031	COLLAR	A515-0481	1
515-0410-08	154 -014	PISTON	A515-0410	1	515-0410-39-2	244 -031	COLLAR	A515-0481	1
515-0410-08	231 -025	PISTON	A515-0411	1	515-0410-47-2	142 -024	SHAFT	A515-0420	1
515-0410-08	239 -025	PISTON	A515-0411	1	515-0410-47-2	232 -024	SHAFT	A515-0420	1
515-0410-08	244 -014	PISTON	A515-0411	1	515-0410-51	149 -037	CAP	A515-0423	1
515-0410-09	141 -027	NUT	A515-0410	1	515-0410-51	239 -037	CAP	A515-0423	1
515-0410-09	149 -027	NUT	A515-0410	1	515-0410-56-5	142 -009	SHAFT	A515-0420	1
515-0410-09	154 -016	NUT	A515-0410	1	515-0410-56-5	232 -009	SHAFT	A515-0420	1
515-0410-09	231 -027	NUT	A515-0411	1	515-0410-58-1	142 -021	COLLAR	A515-0420	1
515-0410-09	239 -027	NUT	A515-0411	1	515-0410-58-1	232 -021	COLLAR	A515-0420	1
515-0410-09	244 -016	NUT	A515-0411	1	515-0410-76-7	141 -017	TAILSTOCK	A515-0406	1
515-0410-11	141 -008	CAP	A515-0410	1	515-0410-77-3	148 -006	COVER	A515-0410	1
515-0410-11	149 -008	CAP	A515-0410	1	515-0410-77-3	153 -006	COVER	A515-0410	1
515-0410-11	154 -027	CAP	A515-0410	1	515-0410-78-1	141 -003	CYLINDER	A515-0410	1
515-0410-12-2	141 -011	SHAFT	A515-0421	1	515-0410-78-1	149 -003	CYLINDER	A515-0410	1
515-0410-12-2	149 -011	SHAFT	A515-0421	1	515-0410-78-1	154 -020	CYLINDER	A515-0410	1
515-0410-29-4	154 -032	SHAFT	A515-0422	1	515-0410-79-4	154 -006	SLEEVE	A515-0422	1
515-0410-29-4	244 -032	SHAFT	A515-0424	1	515-0410-79-4	244 -006	SLEEVE	A515-0424	1
515-0410-30-01	154 -030	CENTER	A515-0481	1	515-0410-89	141 -019	KEY	A515-0410	1
515-0410-30-01	244 -030	CENTER	A515-0481	1	515-0410-89	149 -019	KEY	A515-0410	1

PARTS NO. LIST

PARTS NO.	INDEX NO.	DESCRIPTION	UNIT NO.	QTY	PARTS NO.	INDEX NO.	DESCRIPTION	UNIT NO.	QTY
515-0410-89	231-019	KEY	A515-0411	1	515-0440-06	244-027	CAP	A515-0411	1
515-0410-89	239-019	KEY	A515-0411	1	515-0440-07-02	238-006	COVER	A515-0411	1
515-0410-97-2	142-016	SHAFT	A515-0420	1	515-0440-07-02	243-006	COVER	A515-0411	1
515-0410-97-2	232-016	SHAFT	A515-0420	1	515-0440-12-5	231-017	TAILSTOCK	A515-0408	1
515-0410-98-02	142-012	PLATE	A515-0420	1	515-0440-48	236-026	BUSHING	A515-0408	1
515-0410-98-02	232-012	PLATE	A515-0420	1	515-0500-03-2	92-010	FLANGE	A515-0500	1
515-0410-99	142-013	PLATE	A515-0420	1	515-0500-12-02	95-008	CAP	A515-0500	1
515-0410-99	232-013	PLATE	A515-0420	1	515-0600-50-6	14-018	SUPPORT	A515-0655	1
515-0411-01	142-018	PLATE	A515-0420	1	515-0600-55-8	14-002	SUPPORT	A515-0655	1
515-0411-01	232-018	PLATE	A515-0420	1	515-0600-67-1	102-036	MANIFOLD	A515-0661	1
515-0411-02-01	142-007	SUPPORT	A515-0420	1	515-0600-67-1	203-036	MANIFOLD	A515-0661	1
515-0411-02-01	232-007	SUPPORT	A515-0420	1	515-0600-68-1	102-022	MANIFOLD	A515-0662	1
515-0411-05	231-015	SLEEVE	A515-0425	1	515-0600-68-1	203-022	MANIFOLD	A515-0662	1
515-0411-05	239-015	SLEEVE	A515-0425	1	515-0600-70-01	14-010	MANIFOLD	A515-0655	1
515-0411-06	231-011	SHAFT	A515-0425	1	515-0600-84-3	14-002	SUPPORT	A515-0658	1
515-0411-06	239-011	SHAFT	A515-0425	1	515-0620-44-1	102-003	MANIFOLD	A515-1040	1
515-0440-01-7	239-017	TAILSTOCK	A515-0409	1	515-0620-44-1	203-003	MANIFOLD	A515-1040	1
515-0440-03-1	141-013	CAP	A515-0410	1	515-0750-28-5	127-001	SUPPORT	A515-0750	1
515-0440-03-1	149-013	CAP	A515-0410	1	515-0750-28-5	227-001	SUPPORT	A515-0750	1
515-0440-03-1	154-009	CAP	A515-0410	1	515-0800-39-03	31-031	SUPPORT	A515-1085	1
515-0440-03-1	231-013	CAP	A515-0411	1	515-0800-39-03	181-031	SUPPORT	A515-1086	1
515-0440-03-1	239-013	CAP	A515-0411	1	515-0800-99	107-033	SUPPORT	A515-0881	1
515-0440-03-1	244-009	CAP	A515-0411	1	515-0800-99	207-033	SUPPORT	A515-0881	1
515-0440-04	231-003	CYLINDER	A515-0411	1	515-0801-07-02	107-008	TANK (FOR CHIP CO NVEYOR)	A515-0881	1
515-0440-04	239-003	CYLINDER	A515-0411	1	515-0801-07-02	107-008	TANK (FOR CHIP CO NVEYOR)	A515-0880	1
515-0440-04	244-020	CYLINDER	A515-0411	1	515-0801-07-02	207-008	TANK (FOR CHIP CO NVEYOR)	A515-0881	1
515-0440-05-2	231-022	SHAFT	A515-0411	1	515-0801-07-02	207-008	TANK (FOR CHIP CO NVEYOR)	A515-0880	1
515-0440-05-2	239-022	SHAFT	A515-0411	1	515-0802-12	107-004	PLATE	A515-0880	1
515-0440-05-2	244-012	SHAFT	A515-0411	1	515-0802-12	107-004	PLATE	A515-0881	1
515-0440-06	231-008	CAP	A515-0411	1	515-0802-12	207-004	PLATE	A515-0880	1
515-0440-06	239-008	CAP	A515-0411	1	515-0802-12	207-004	PLATE	A515-0881	1

PARTS NO. LIST

PARTS NO.	INDEX NO.	DESCRIPTION	UNIT NO.	QTY	PARTS NO.	INDEX NO.	DESCRIPTION	UNIT NO.	QTY
515-0802-13	107-002	COVER	A515-0830	1	515-0860-67	123-020	PLATE	A515-0862	1
515-0802-13	207-002	COVER	A515-0830	1	515-0860-67	223-020	PLATE	A515-0862	1
515-0802-27	107-005	FILTER	A515-0880	1	515-0860-68	123-021	PLATE	A515-0862	2
515-0802-27	107-005	FILTER	A515-0881	1	515-0860-68	223-021	PLATE	A515-0862	2
515-0802-27	207-005	FILTER	A515-0881	1	515-0860-69	123-022	PLATE	A515-0862	1
515-0802-27	207-005	FILTER	A515-0880	1	515-0860-69	223-022	PLATE	A515-0862	1
515-0810-67-2	107A-008	BASE	A515-0851	1	515-0860-70	123-023	PLATE	A515-0862	1
515-0860-01-6	107A-001	TANK	A515-0862	1	515-0860-70	223-023	PLATE	A515-0862	1
515-0860-02	107A-002	FILTER	A515-0862	1	515-0870-11-2	123-015	COVER	A515-0873	1
515-0860-03	107A-003	PLATE	A515-0862	4	515-0870-11-2	223-015	COVER	A515-0873	1
515-0860-04-3	107A-004	PLATE	A515-0862	4	515-0900-20-03	121-011	GUIDE	A515-0881	1
515-0860-05	107A-005	ROLLER	A515-0862	4	515-0900-20-03	121-011	GUIDE	A515-0881	1
515-0860-06	107A-006	SHAFT	A515-0862	4	515-0900-20-03	221-011	GUIDE	A515-0880	1
515-0860-07-2	107A-007	PAN	A515-0862	1	515-0900-20-03	221-011	GUIDE	A515-0881	1
515-0860-08-2	123-008	GUIDE	A515-0862	1	515-0910-08	121-016	COVER	A515-0880	1
515-0860-08-2	223-008	GUIDE	A515-0862	1	515-0910-08	121-016	COVER	A515-0881	1
515-0860-09-01	123-009	GUIDE	A515-0862	1	515-0910-08	221-016	COVER	A515-0880	1
515-0860-09-01	223-009	GUIDE	A515-0862	1	515-0910-08	221-016	COVER	A515-0881	1
515-0860-10-01	123-010	GUIDE	A515-0862	1	515-0910-10-3	107-012	GUIDE	A515-0881	1
515-0860-10-01	223-010	GUIDE	A515-0862	1	515-0910-10-3	107-012	GUIDE	A515-0880	1
515-0860-11-3	123-011	GUIDE	A515-0862	1	515-0910-10-3	121-007	GUIDE	A515-0881	1
515-0860-11-3	223-011	GUIDE	A515-0862	1	515-0910-10-3	121-007	GUIDE	A515-0880	1
515-0860-13-2	107A-013	COVER	A515-0862	1	515-0910-10-3	207-012	GUIDE	A515-0881	1
515-0860-15-3	107A-014	PLATE	A515-0862	1	515-0910-10-3	207-012	GUIDE	A515-0880	1
515-0860-18-2	123-016	COVER	A515-0862	1	515-0910-10-3	221-007	GUIDE	A515-0881	1
515-0860-18-2	223-016	COVER	A515-0862	1	515-0910-10-3	221-007	GUIDE	A515-0880	1
515-0860-19-3	123-017	COVER	A515-0862	1	515-0910-12-3	131-010	GUIDE	A515-0880	1
515-0860-19-3	223-017	COVER	A515-0862	1	515-0910-21-01	121-019	GUIDE	A515-0881	1
515-0860-22-1	123-018	GUTTER	A515-0862	1	515-0910-21-01	121-019	GUIDE	A515-0880	1
515-0860-22-1	223-018	GUTTER	A515-0862	1	515-0910-21-01	221-019	GUIDE	A515-0881	1
515-0860-32	107A-019	PLATE	A515-0862	1	515-0910-21-01	221-019	GUIDE	A515-0880	1

PARTS NO. LIST

PARTS NO.	INDEX NO.	DESCRIPTION	UNIT NO.	QTY	PARTS NO.	INDEX NO.	DESCRIPTION	UNIT NO.	QTY
515-0910-43	121-015	GUIDE	A515-0881	1	515-1012-72-1	219-049	GUIDE	A515-1086	1
515-0910-43	121-015	GUIDE	A515-0880	1	515-1012-73-01	219-013	PLATE	A515-1086	1
515-0910-43	221-015	GUIDE	A515-0881	1	515-1012-74-1	219-027	PLATE	A515-1086	1
515-0910-43	221-015	GUIDE	A515-0880	1	515-1012-75-1	218A-037	GUIDE	A515-1086	2
515-1000-19-3	119-002	PLATE	A515-1040	1	515-1012-75-1	219-054	GUIDE	A515-1086	2
515-1000-19-3	218-002	PLATE	A515-1040	1	515-1012-76-2	219-017	GUIDE	A515-1086	2
515-1000-37-4	113-003	SUPPORT	A515-1040	1	515-1012-77-2	219-029	GUIDE	A515-1086	2
515-1000-37-4	213-003	SUPPORT	A515-1040	1	515-1012-79	218A-049	NUT	A515-1086	2
515-1000-38-1	113-021	PLATE	A515-1040	1	515-1012-79	219-037	NUT	A515-1086	2
515-1000-38-1	213-021	PLATE	A515-1040	1	515-1012-80	218A-054	SHAFT	A515-1086	2
515-1000-40-2	218-005	PLATE	A515-1040	1	515-1012-80	219-042	SHAFT	A515-1086	2
515-1000-4002	119-005	PLATE	A515-1040	1	515-1012-81	218A-050	COLLAR	A515-1086	2
515-1002-79-3	122-029	GUTTER	A515-1040	1	515-1012-81	219-038	COLLAR	A515-1086	2
515-1002-79-3	222-029	GUTTER	A515-1040	1	515-1012-82	218A-051	ROLLER	A515-1086	2
515-1002-80	122-026	TANK	A515-1040	1	515-1012-82	219-039	ROLLER	A515-1086	2
515-1002-80	222-026	TANK	A515-1040	1	515-1020-01-02	107-006	SUPPORT	A515-1020	1
515-1002-81-3	122-033	GUTTER	A515-0880	1	515-1020-01-02	207-006	SUPPORT	A515-1020	1
515-1002-81-3	122-033	GUTTER	A515-0881	1	515-1020-02-3	107-032	SUPPORT	A515-1021	1
515-1002-81-3	222-033	GUTTER	A515-0881	1	515-1020-02-3	207-032	SUPPORT	A515-1021	1
515-1002-81-3	222-033	GUTTER	A515-0880	1	515-1020-03-2	107-032	SUPPORT	A515-1022	1
515-1012-25	121-022	PLATE	A515-0880	1	515-1020-03-2	207-032	SUPPORT	A515-1022	1
515-1012-25	121-022	PLATE	A515-0881	1	515-1040-01-2	31-041	GUTTER	A515-1040	1
515-1012-25	221-022	PLATE	A515-0880	1	515-1040-01-2	181-041	GUTTER	A515-1040	1
515-1012-25	221-022	PLATE	A515-0881	1	515-1040-02-3	31-045	GUTTER	A515-1040	2
515-1012-26	121-025	PLATE	A515-0881	1	515-1040-02-3	181-045	GUTTER	A515-1040	1
515-1012-26	121-025	PLATE	A515-0880	1	515-1040-03-05	113-001	COVER	A515-1041	1
515-1012-26	221-025	PLATE	A515-0880	1	515-1040-03-05	213-001	COVER	A515-1041	1
515-1012-26	221-025	PLATE	A515-0881	1	515-1040-04-2	118-005	COVER	A515-1040	1
515-1012-71-1	218A-035	GUIDE	A515-1086	1	515-1040-04-2	217-005	COVER	A515-1040	1
515-1012-71-1	219-048	GUIDE	A515-1086	1	515-1040-05-1	118-012	HOLDER	A515-1040	1
515-1012-72-1	218A-036	GUIDE	A515-1086	1	515-1040-05-1	217-012	HOLDER	A515-1040	1

PARTS NO. LIST

PARTS NO.	INDEX NO.	DESCRIPTION	UNIT NO.	QTY	PARTS NO.	INDEX NO.	DESCRIPTION	UNIT NO.	QTY
515-1040-06-2	118 -019	COVER	A515-1040	1	515-1050-18	119 -020	SUPPORT	A515-1040	1
515-1040-06-2	217 -019	COVER	A515-1040	1	515-1050-18	218 -017	SUPPORT	A515-1040	1
515-1040-07-01	118 -023	HOLDER	A515-1040	1	515-1050-19	119 -021	SUPPORT	A515-1040	1
515-1040-07-01	217 -023	HOLDER	A515-1040	1	515-1050-19	218 -019	SUPPORT	A515-1040	1
515-1040-08-1	118 -016	HOLDER	A515-1040	1	515-1050-20-02	119 -003	COVER	A515-1040	1
515-1040-08-1	217 -016	HOLDER	A515-1040	1	515-1050-20-02	218 -003	COVER	A515-1040	1
515-1040-09-1	118 -028	SUPPORT	A515-1040	1	515-1050-24-1	118 -007	PLATE	A515-1040	1
515-1040-09-1	217 -028	SUPPORT	A515-1040	1	515-1050-24-1	217 -007	PLATE	A515-1040	1
515-1040-10-01	113 -029	CAP	A515-1040	1	515-1050-30-5	162 -040	COVER	A515-4600	1
515-1040-10-01	213 -029	CAP	A515-1040	1	515-1050-31-3	113 -031	COVER	A515-1041	1
515-1040-11-01	119 -034	GUIDE	A515-1040	1	515-1050-31-3	213 -031	COVER	A515-1041	1
515-1040-13	171 -006	PLATE	A515-1042	1	515-1050-32	113 -015	HOLDER	A515-1040	1
515-1040-13	174 -006	PLATE	A515-1042	1	515-1050-32	213 -015	HOLDER	A515-1040	1
515-1040-14	171 -020	PLATE	A515-1042	1	515-1050-34	113 -011	HOLDER	A515-1040	1
515-1040-14	174 -015	PLATE	A515-1042	1	515-1050-34	213 -011	HOLDER	A515-1040	1
515-1050-01-10	11 -002	COVER	A515-1040	1	515-1050-35-3	113 -036	HOLDER	A515-1040	1
515-1050-02-5	11 -021	CAP	A515-1040	1	515-1050-35-3	213 -036	HOLDER	A515-1040	1
515-1050-03-5	113 -005	BOX	A515-1061	1	515-1050-36-1	113 -025	COVER (STANDARD)	A515-0109	1
515-1050-03-5	213 -005	BOX	A515-1061	1	515-1050-36-1	213 -025	COVER (STANDARD)	A515-0109	1
515-1050-04-5	11 -006	COVER	A515-1040	1	515-1050-38-1	118 -002	COVER	A515-1040	1
515-1050-05-2	11 -013	CAP	A515-1040	1	515-1050-38-1	217 -002	COVER	A515-1040	1
515-1050-06-05	11 -015	COVER	A515-1061	1	515-1050-41-1	31 -037	SUPPORT	A515-1040	1
515-1050-08-2	31 -049	SUPPORT	A515-1040	1	515-1050-41-1	181 -037	SUPPORT	A515-1040	1
515-1050-08-2	181 -049	SUPPORT	A515-1040	1	515-1050-42	115 -023	CAP	A515-1085	1
515-1050-10-01	11 -001	COVER	A515-1040	1	515-1050-42	215 -023	CAP	A515-1086	1
515-1050-11-6	115 -016	DUCT	A515-1040	1	515-1050-43-2	122 -014	SUPPORT	A515-1040	1
515-1050-11-6	215 -016	DUCT	A515-1040	1	515-1050-43-2	222 -014	SUPPORT	A515-1040	1
515-1050-15-4	122 -002	SUPPORT	A515-1040	1	515-1050-44-01	122 -019	SUPPORT	A515-1050	1
515-1050-15-4	222 -002	SUPPORT	A515-1040	1	515-1050-44-01	222 -019	SUPPORT	A515-1050	1
515-1050-16-3	122 -041	SUPPORT	A515-1040	1	515-1050-45-01	124 -003	SUPPORT	A515-4360	1
515-1050-16-3	222 -041	SUPPORT	A515-1040	1	515-1050-45-01	224 -003	SUPPORT	A515-4360	1

PARTS NO. LIST

PARTS NO.	INDEX NO.	DESCRIPTION	UNIT NO.	QTY	PARTS NO.	INDEX NO.	DESCRIPTION	UNIT NO.	QTY
515-1050-46	124 -004	SUPPORT	A515-4360	1	515-1050-89-01	113 -050	PLATE	A515-1040	1
515-1050-46	224 -004	SUPPORT	A515-4360	1	515-1050-89-01	213 -050	PLATE	A515-1040	1
515-1050-47-03	111 -028	SUPPORT	A515-1040	1	515-1060-02-3	111 -019	PLATE	A515-1040	1
515-1050-47-03	211 -028	SUPPORT	A515-1040	1	515-1060-02-3	211 -019	PLATE	A515-1040	1
515-1050-55-A	161 -001	DOOR	A515-4600	1	515-1060-04-11	112 -036	DOOR	A515-1085	1
515-1050-56	111 -001	HANDLE	A515-1040	1	515-1060-04-11	212 -036	DOOR	A515-1086	1
515-1050-56	211 -001	HANDLE	A515-1040	1	515-1060-05-1	112 -024	COVER	A515-1085	1
515-1050-57-4	111 -009	DOOR	A515-1040	1	515-1060-05-1	212 -024	COVER	A515-1086	1
515-1050-57-4	211 -009	DOOR	A515-1040	1	515-1060-06-3	112 -020	PLATE	A515-1085	1
515-1050-58-2	111 -004	LATTICE	A515-1040	1	515-1060-06-3	212 -020	PLATE	A515-1086	1
515-1050-58-2	211 -004	LATTICE	A515-1040	1	515-1060-07-3	112 -034	COVER	A515-1085	1
515-1050-59-2	111 -002	CAP	A515-1040	1	515-1060-07-3	212 -034	COVER	A515-1086	1
515-1050-59-2	211 -002	CAP	A515-1040	1	515-1060-10-5	114 -003	COVER	A515-1085	1
515-1050-61	115 -035	SUPPORT	A515-1085	1	515-1060-10-5	214 -003	COVER	A515-1086	1
515-1050-61	215 -035	SUPPORT	A515-1086	1	515-1060-11-3	114 -004	COVER	A515-1085	1
515-1050-62	112 -003	BRACKET	A515-1085	1	515-1060-11-3	214 -004	COVER	A515-1086	1
515-1050-62	212 -003	BRACKET	A515-1086	1	515-1060-13-03	115 -021	DUCT	A515-1085	1
515-1050-74	113 -039	PLATE	A515-1040	1	515-1060-14-2	115 -018	CAP	A515-1085	1
515-1050-74	213 -039	PLATE	A515-1040	1	515-1060-16-4	122 -023	COVER	A515-1085	1
515-1050-75	113 -007	PLATE	A515-1040	1	515-1060-16-4	222 -023	COVER	A515-1086	1
515-1050-75	213 -007	PLATE	A515-1040	1	515-1060-17-2	122 -021	COVER	A515-1061	1
515-1050-82-01	112 -044	GUIDE	A515-1085	1	515-1060-17-2	222 -021	COVER	A515-1061	1
515-1050-82-01	212 -044	GUIDE	A515-1086	1	515-1060-18-2	122 -007	COVER	A515-1085	1
515-1050-83-01	111 -031	SUPPORT	A515-1040	2	515-1060-18-2	222 -007	COVER	A515-1086	1
515-1050-83-01	211 -031	SUPPORT	A515-1040	2	515-1060-19-2	122 -015	COVER	A515-0880	1
515-1050-86-02	113 -047	PLATE	A515-1040	1	515-1060-19-2	122 -015	COVER	A515-0881	1
515-1050-86-02	213 -047	PLATE	A515-1040	1	515-1060-19-2	222 -015	COVER	A515-0880	1
515-1050-87-01	113 -049	HOLDER	A515-1040	1	515-1060-19-2	222 -015	COVER	A515-0881	1
515-1050-87-01	213 -049	HOLDER	A515-1040	1	515-1060-20-01	115 -024	SUPPORT	A515-1085	1
515-1050-88-01	113 -046	PLATE	A515-1040	1	515-1060-21-2	122 -012	SUPPORT	A515-1040	1
515-1050-88-01	213 -046	PLATE	A515-1040	1	515-1060-21-2	222 -012	SUPPORT	A515-1040	1

PARTS NO. LIST

PARTS NO.	INDEX NO.	DESCRIPTION	UNIT NO.	QTY	PARTS NO.	INDEX NO.	DESCRIPTION	UNIT NO.	QTY
515-1060-22-4	31 -029	SUPPORT	A515-1085	1	515-1080-01-1	125 -006	SUPPORT	A515-1080	1
515-1060-22-4	181 -029	SUPPORT	A515-1086	1	515-1080-01-1	126 -007	SUPPORT	A515-4350	1
515-1060-23-12	115 -006	DUCT	A515-1085	1	515-1080-01-1	225 -006	SUPPORT	A515-1080	1
515-1060-24-1	115 -001	RAIL	A515-1085	1	515-1080-01-1	226 -007	SUPPORT	A515-4350	1
515-1060-24-1	215 -001	RAIL	A515-1086	1	515-1080-02	125 -007	SUPPORT	A515-1080	1
515-1060-25-1	121 -004	RAIL	A515-1085	1	515-1080-02	126 -008	SUPPORT	A515-4350	1
515-1060-25-1	221 -004	RAIL	A515-1086	1	515-1080-02	225 -007	SUPPORT	A515-1080	1
515-1060-26-7	121 -002	RAIL	A515-1085	1	515-1080-02	226 -008	SUPPORT	A515-4350	1
515-1060-26-7	221 -002	RAIL	A515-1086	1	515-1080-03	125 -008	COVER	A515-1080	1
515-1060-27-2	115 -015	GUTTER	A515-1085	1	515-1080-03	225 -008	COVER	A515-1080	1
515-1060-28-6	114 -001	COVER	A515-1085	1	515-1080-04-2	125 -009	SUPPORT	A515-1080	1
515-1060-28-6	214 -001	COVER	A515-1086	1	515-1080-04-2	126 -009	SUPPORT	A515-4350	1
515-1060-36-01	119 -026	HOLDER	A515-1085	1	515-1080-04-2	225 -009	SUPPORT	A515-1080	1
515-1060-39-2	111 -018	PLATE	A515-1040	1	515-1080-04-2	226 -009	SUPPORT	A515-4350	1
515-1060-39-2	211 -018	PLATE	A515-1040	1	515-1080-05-1	125 -010	SUPPORT	A515-1080	1
515-1060-40-2	112 -019	PLATE	A515-1085	1	515-1080-05-1	126 -010	SUPPORT	A515-4350	1
515-1060-40-2	212 -019	PLATE	A515-1086	1	515-1080-05-1	225 -010	SUPPORT	A515-1080	1
515-1060-42-01	114 -008	PLATE	A515-1085	1	515-1080-05-1	226 -010	SUPPORT	A515-4350	1
515-1060-43-3	31 -026	COVER	A515-0008	1	515-1080-06-1	125 -011	COVER	A515-1080	1
515-1060-43-3	181 -026	COVER	A515-0008	1	515-1080-06-1	225 -011	COVER	A515-1080	1
515-1060-46-01	122 -042	COVER	A515-0862	1	515-1080-07-2	125 -012	SUPPORT	A515-1080	2
515-1060-48-1	122 -024	COVER	A515-1085	1	515-1080-07-2	126 -011	SUPPORT	A515-4350	2
515-1060-48-1	222 -024	COVER	A515-1086	1	515-1080-07-2	225 -012	SUPPORT	A515-1080	2
515-1060-49-01	124 -007	COVER	A515-4350	1	515-1080-07-2	225 -011	SUPPORT	A515-4350	2
515-1060-49-01	224 -007	COVER	A515-4360	1	515-1085-01-04	119 -037	COVER	A515-1085	1
515-1060-50-3	112 -038	SUPPORT	A515-1085	1	515-1085-02-01	119 -030	SUPPORT	A515-1085	1
515-1060-50-3	212 -038	SUPPORT	A515-1086	1	515-1085-03-02	33 -048	SUPPORT	A515-0285	1
515-1060-51	121 -026	BLOCK	A515-1085	9	515-1085-03-02	183 -048	SUPPORT	A515-0285	1
515-1060-51	221 -026	BLOCK	A515-1086	9	515-1085-04-01	36 -024	COVER	A515-0216	1
515-1060-78	114 -012	COVER	A515-1085	1	515-1085-05-03	119 -001	COVER	A515-1085	1
515-1060-78	214 -012	COVER	A515-1086	1	515-1085-06-03	119 -015	COVER	A515-1085	1

PARTS NO. LIST

PARTS NO.	INDEX NO.	DESCRIPTION	UNIT NO.	QTY	PARTS NO.	INDEX NO.	DESCRIPTION	UNIT NO.	QTY
515-1085-07-02	119-046	COVER	A515-1085	1	515-1086-19-02	220-001	COVER	A515-1086	1
515-1085-07-02	218-060	COVER	A515-1086	1	515-1086-20-03	220-006	COVER	A515-1086	1
515-1085-08-03	120-008	COVER	A515-1085	1	515-1086-21	218A-038	BLOCK	A515-1086	1
515-1085-09-03	120-004	COVER	A515-1085	1	515-1086-21	218A-058	BLOCK	A515-1086	1
515-1085-11-03	120-011	COVER	A515-1085	1	515-1086-22-03	218A-040	COVER	A515-1086	1
515-1085-12-01	120-014	COVER	A515-1085	1	515-1086-23-01	218A-028	COVER	A515-1086	1
515-1085-13-02	120-019	PLATE	A515-1085	1	515-1086-24-01	218A-031	COVER	A515-1086	1
515-1085-14-01	120-017	PLATE	A515-1085	1	515-1086-29	218A-020	PLATE	A515-1086	1
515-1085-15-03	120-021	COVER	A515-1085	1	515-1086-33	218-061	GUIDE	A515-1086	1
515-1085-16-01	120-023	PLATE	A515-1085	1	515-1086-35	218-062	GUIDE	A515-1086	1
515-1085-17	119-016	COVER	A515-1085	1	515-1086-36	219-007	HOLDER	A515-1086	1
515-1085-18	119-029	HOLDER	A515-1085	1	515-1090-10	219-021	HOLDER	A515-1086	1
515-1085-20-04	120-032	COVER	A515-1085	1	515-1090-12-1	218A-027	RAIL	A515-1086	1
515-1085-21-1	119-039	BLOCK	A515-1085	1	515-1090-14	218A-055	SUPPORT	A515-1086	1
515-1085-22-03	120-034	COVER	A515-1085	1	515-1090-14	219-032	SUPPORT	A515-1086	1
515-1085-23-01	120-030	COVER	A515-1085	1	515-1090-15	219-003	HOLDER	A515-1086	1
515-1086-02-01	220-015	COVER	A515-1086	1	515-1090-16-6	215-006	DUCT	A515-1086	1
515-1086-03	220-017	HOLDER	A515-1086	1	515-1090-17-2	215-024	SUPPORT	A515-1086	1
515-1086-07-02	218-001	COVER	A515-1086	1	515-1090-18-01	215-042	SUPPORT	A515-1086	1
515-1086-08-04	218-015	COVER	A515-1086	1	515-1090-19	215-015	GUTTER	A515-1086	1
515-1086-09-01	219-012	COVER	A515-1086	1	515-1090-25	215-018	CAP	A515-1086	1
515-1086-10	219-026	COVER	A515-1086	1	515-1090-29-02	214-005	COVER	A515-1086	1
515-1086-11	219-011	HOLDER	A515-1086	1	515-1090-30-01	214-008	PLATE	A515-1086	1
515-1086-12	219-025	HOLDER	A515-1086	1	515-1090-31	214-013	GUIDE	A515-1086	1
515-1086-13	218A-046	SUPPORT	A515-1086	1	515-1090-35-01	215-021	DUCT	A515-1086	1
515-1086-13	219-044	SUPPORT	A515-1086	1	515-1095-15-02	114-005	COVER	A515-1085	1
515-1086-14	218A-023	RAIL	A515-1086	1	515-1095-37	31-058	GUTTER	A515-0008	1
515-1086-15-01	218A-022	BOLT	A515-1086	2	515-1095-37	181-058	GUTTER	A515-0008	1
515-1086-16	220-011	PLATE	A515-1086	2	515-1101-70-3	125-013	SHAFT	A515-1080	1
515-1086-17	220-009	HOLDER	A515-1086	1	515-1101-70-3	126-012	SHAFT	A515-4350	1
515-1086-18	220-020	HOLDER	A515-1086	1	515-1101-70-3	225-013	SHAFT	A515-1080	1

PARTS NO. LIST

PARTS NO.	INDEX NO.	DESCRIPTION	UNIT NO.	QTY	PARTS NO.	INDEX NO.	DESCRIPTION	UNIT NO.	QTY
515-1101-70-3	226 -012	SHAFT	A515-4350	1	515-1125-65-01	171 -023	COVER	A515-1042	1
515-1101-76	125 -014	PLATE	A515-1080	1	515-1125-65-01	174 -018	COVER	A515-1042	1
515-1101-76	126 -013	PLATE	A515-4350	1	515-1600-14	115 -032	PLATE	A515-1040	2
515-1101-76	225 -014	PLATE	A515-1080	1	515-1600-14	125 -021	PLATE	A515-1080	1
515-1101-76	226 -013	PLATE	A515-4350	1	515-1600-14	126 -020	PLATE	A515-4350	1
515-1101-77	125 -015	SUPPORT	A515-1080	2	515-1600-14	215 -032	PLATE	A515-1040	2
515-1101-77	126 -014	SUPPORT	A515-4350	2	515-1600-14	225 -021	PLATE	A515-1080	1
515-1101-77	225 -015	SUPPORT	A515-1080	2	515-1600-14	226 -020	PLATE	A515-4350	1
515-1101-77	226 -014	SUPPORT	A515-4350	2	515-1610-01	14 -021	SUPPORT	A515-1361	1
515-1102-59	125 -016	COLLAR	A515-1080	1	515-1610-01	14 -021	SUPPORT	A515-1360	1
515-1102-59	126 -015	COLLAR	A515-4350	1	515-1700-01-3	124 -021	SUPPORT	A515-4350	1
515-1102-59	225 -016	COLLAR	A515-1080	1	515-1700-01-3	224 -021	SUPPORT	A515-4350	1
515-1102-59	226 -015	COLLAR	A515-4350	1	515-1700-02	31 -056	SUPPORT	A515-1361	1
515-1102-60-1	125 -017	SUPPORT	A515-1080	1	515-1700-02	31 -056	SUPPORT	A515-1360	1
515-1102-60-1	126 -016	SUPPORT	A515-4350	1	515-1700-02	181 -056	SUPPORT	A515-1360	1
515-1102-60-1	225 -017	SUPPORT	A515-1080	1	515-1700-02	181 -052	SUPPORT	A515-1361	1
515-1102-60-1	226 -016	SUPPORT	A515-4350	1	515-1700-03-1	31 -052	SUPPORT	A515-1361	1
515-1102-61-4	125 -018	PLATE	A515-1080	1	515-1700-03-1	31 -052	SUPPORT	A515-1360	1
515-1102-61-4	126 -017	PLATE	A515-4350	1	515-1700-03-1	181 -052	SUPPORT	A515-1361	1
515-1102-61-4	225 -018	PLATE	A515-1080	1	515-1700-03-1	181 -052	SUPPORT	A515-1360	1
515-1102-61-4	226 -017	PLATE	A515-4350	1	515-1800-09-2	72 -028	BOLT	A515-0340	1
515-1102-69-1	125 -019	NUT	A515-1080	1	515-1800-09-2	92 -024	BOLT	A515-0340	1
515-1102-69-1	126 -018	NUT	A515-4350	1	515-2000-01-7	76A-005	HOLDER	A515-2000	1
515-1102-69-1	225 -019	NUT	A515-1080	1	515-2000-01-7	96 -005	HOLDER	A515-2000	1
515-1102-69-1	226 -018	NUT	A515-4350	1	515-2000-04-1	76A-011	SLEEVE	A515-2010	1
515-1102-70-2	125 -020	NUT	A515-1080	1	515-2000-04-1	96 -011	SLEEVE	A515-2010	1
515-1102-70-2	126 -019	NUT	A515-4350	1	515-2000-05-1	76A-013	SLEEVE	A515-2011	1
515-1102-70-2	225 -020	NUT	A515-1080	1	515-2000-05-1	96 -013	SLEEVE	A515-2011	1
515-1102-70-2	226 -019	NUT	A515-4350	1	515-2000-06-1	76A-015	SLEEVE	A515-2012	1
515-1106-81	111 -035	DOG	A515-1040	1	515-2000-06-1	96 -015	SLEEVE	A515-2012	1
515-1106-81	211 -035	DOG	A515-1040	1	515-2000-07-1	76A-017	SLEEVE	A515-2013	1

PARTS NO. LIST

PARTS NO.	INDEX NO.	DESCRIPTION	UNIT NO.	QTY	PARTS NO.	INDEX NO.	DESCRIPTION	UNIT NO.	QTY
515-2000-07-1	96 -017	SLEEVE	A515-2013	1	515-2100-01-2	77 -004	SPACER	A515-2103	1
515-2000-10-2	76A-057	SLEEVE	A515-2015	1	515-2100-01-2	77 -024	SPACER	A515-2105	1
515-2000-10-2	96 -057	SLEEVE	A515-2015	1	515-2100-01-2	97 -004	SPACER	A515-2103	1
515-2000-11-2	77A-046	SLEEVE 3/8	A515-2028	1	515-2100-01-2	97 -024	SPACER	A515-2105	1
515-2000-11-2	97 -046	SLEEVE 3/8	A515-2028	1	515-2100-02-1	77 -007	PLATE	A515-2103	1
515-2000-12-2	77A-049	SLEEVE 1/2	A515-2029	1	515-2100-02-1	97 -007	PLATE	A515-2103	1
515-2000-12-2	97 -049	SLEEVE 1/2	A515-2029	1	515-2100-04-2	77 -014	SPACER	A515-2104	1
515-2000-13-1	77A-041	SLEEVE 5/8	A515-2018	1	515-2100-04-2	97 -014	SPACER	A515-2104	1
515-2000-13-1	97 -041	SLEEVE 5/8	A515-2018	1	515-2100-05-1	77 -017	PLATE	A515-2104	1
515-2000-14-2	77A-036	SLEEVE 3/4	A515-2017	1	515-2100-05-1	97 -017	PLATE	A515-2104	1
515-2000-14-2	97 -036	SLEEVE 3/4	A515-2017	1	515-2100-07	77 -027	PLATE	A515-2105	1
515-2000-15-1	77A-038	SLEEVE 1	A515-2016	1	515-2100-07	97 -027	PLATE	A515-2105	1
515-2000-15-1	97 -038	SLEEVE 1	A515-2016	1	515-2100-11-8	76 -035	HOLDER	A515-2100	1
515-2000-16-1	77A-044	SLEEVE 1 1/4	A515-2019	1	515-2100-11-8	96 -035	HOLDER	A515-2100	1
515-2000-16-1	97 -044	SLEEVE 1 1/4	A515-2019	1	515-2100-12-8	76 -028	HOLDER	A515-2101	1
515-2000-17-2	77A-040	SLEEVE MT No. 3	A515-2025	1	515-2100-12-8	96 -028	HOLDER	A515-2101	1
515-2000-17-2	97 -040	SLEEVE MT No. 3	A515-2025	1	515-2100-13-10	76 -021	HOLDER	A515-2102	1
515-2000-21-2	76A-054	SLEEVE	A515-2014	1	515-2110-04	96 -021	HOLDER	A515-2102	1
515-2000-21-2	96 -054	SLEEVE	A515-2014	1	515-2110-04	77 -009	STOPPER	A515-2103	1
515-2000-23-9	76 -059	HOLDER	A515-2030	1	515-2110-05	97 -009	STOPPER	A515-2105	1
515-2000-23-9	96 -059	HOLDER	A515-2030	1	515-2110-05	77 -029	STOPPER	A515-2105	1
515-2000-24-3	77A-031	HOLDER ID	A515-2001	1	515-2110-06	97 -029	STOPPER	A515-2105	1
515-2000-24-3	97 -031	HOLDER ID	A515-2001	1	515-2110-06	77 -019	STOPPER	A515-2104	1
515-2010-01-3	76A-051	SLEEVE	A515-2023	1	515-2110-06	97 -019	STOPPER	A515-2104	1
515-2010-01-3	96 -051	SLEEVE	A515-2023	1	515-2110-07-4	77 -001	HOLDER TYPE-A	A515-2103	1
515-2010-02-4	76A-001	SLEEVE	A515-2020	1	515-2110-07-4	97 -001	HOLDER TYPE-A	A515-2103	1
515-2010-02-4	96 -001	SLEEVE	A515-2020	1	515-2110-08-3	77 -011	HOLDER TYPE-B	A515-2104	1
515-2010-03-3	76A-002	HOLDER	A515-2021	1	515-2110-08-3	97 -011	HOLDER TYPE-B	A515-2104	1
515-2010-03-3	96 -002	HOLDER	A515-2021	1	515-2110-09-3	77 -021	HOLDER TYPE-C	A515-2105	1
515-2010-04-3	76A-050	SLEEVE	A515-2022	1	515-2110-09-3	97 -021	HOLDER TYPE-C	A515-2105	1
515-2010-04-3	96 -050	SLEEVE	A515-2022	1	515-3000-01	15 -010	SUPPORT	A515-3050	1

PARTS NO. LIST

PARTS NO.	INDEX NO.	DESCRIPTION	UNIT NO.	QTY	PARTS NO.	INDEX NO.	DESCRIPTION	UNIT NO.	QTY
515-3000-02-1	15 -026	COLLAR	A515-3050	1	515-3020-93-01	13 -023	PIPE, steel	A515-3057	1
515-3000-05	15 -009	JOINT	A515-3050	1	515-3020-94	19 -040	COLLAR	A515-3061	1
515-3000-05	19 -026	PLATE	A515-3061	1	515-3020-94	20 -027	COLLAR	A515-3060	1
515-3000-06	15 -007	JOINT	A515-3050	1	515-4000-02-4	75A-014	HOLDER	A515-2200	1
515-3000-13	15 -024	SHAFT	A515-3050	1	515-4000-03	75A-004	BLOCK	A515-4000	1
515-3000-16-01	15 -018	ADAPTOR	A515-3050	1	515-4000-03	75A-016	BLOCK	A515-4000	1
515-3000-21-01	15 -013	SUPPORT	A515-3050	1	515-4000-05-1	75A-002	COVER	A515-4000	1
515-3010-06	10 -023	PLATE	A515-3052	1	515-4000-06-3	75A-015	HOLDER	A515-2201	1
515-3010-06	13 -009	PLATE	A515-3055	1	515-4000-52	75B-002	JOINT	A515-4000	1
515-3010-07-2	10 -015	PLATE	A515-3052	1	515-4000-53	75B-004	SHAFT	A515-4000	1
515-3010-07-2	19 -017	PLATE	A515-3061	1	515-4000-54	75B-001	CAP	A515-4000	1
515-3010-08-4	10 -014	BOX	A515-3052	1	515-4000-55	75A-003	JOINT	A515-4000	1
515-3010-09-2	10 -002	PLATE	A515-3052	1	515-4000-56-2	75A-001	BODY	A515-4000	1
515-3010-13-01	10 -020	ADAPTOR	A515-3052	1	515-4001-58	75B-005	FLANGE	A515-4000	10
515-3010-17-4	13 -003	BOX	A515-3055	1	515-4150-02-01	171 -045	GUIDE	A515-4150	1
515-3010-18-1	10 -011	PLATE	A515-3052	1	515-4150-02-01	174 -039	GUIDE	A515-4101	1
515-3010-18-1	19 -013	PLATE	A515-3061	1	515-4150-03-06	174 -021	COVER	A515-4101	1
515-3011-18-1	20 -004	BOX	A515-3060	1	515-4150-05-1	171 -010	COVER	A515-4150	1
515-3011-36	13 -025	SUPPORT	A515-3055	1	515-4150-05-1	174 -010	COVER	A515-4101	1
515-3011-93-01	10 -033	ADAPTOR	A515-3052	1	515-4150-06-3	172 -007	BRACKET	A515-4150	1
515-3011-93-01	13 -020	ADAPTOR	A515-3055	1	515-4150-08	172 -013	SUPPORT	A515-4150	1
515-3012-10-01	10 -036	SUPPORT	A515-3052	1	515-4150-09-01	175 -028	SUPPORT	A515-4101	1
515-3012-32	10 -017	CAP	A515-3052	1	515-4150-10-01	175 -029	PLATE	A515-4101	1
515-3012-33	13 -007	CAP	A515-3055	1	515-4150-11	175 -043	SUPPORT	A515-4101	1
515-3020-04-3	19 -045	PIPE, steel	A515-3061	1	515-4150-12	175 -039	SUPPORT	A515-4101	1
515-3020-04-3	20 -032	PIPE, steel	A515-3060	1	515-4150-20-6	171 -026	COVER	A515-4150	1
515-3020-05-1	19 -042	SUPPORT	A515-3061	1	515-4150-23-01	172 -005	SUPPORT	A515-4150	1
515-3020-05-1	20 -029	SUPPORT	A515-3060	1	515-4150-27-3	176 -011	SUPPORT	A515-4101	1
515-3020-91	19 -037	ADAPTOR	A515-3061	1	515-4150-28-1	175 -013	BRACKET	A515-4101	1
515-3020-91	20 -024	ADAPTOR	A515-3060	1	515-4150-29-2	176 -014	SHAFT	A515-4101	1
515-3020-93-01	10 -039	PIPE, steel	A515-3057	1	515-4150-31-01	176 -035	CAP	A515-4101	1

PARTS NO. LIST

PARTS NO.	INDEX NO.	DESCRIPTION	UNIT NO.	QTY	PARTS NO.	INDEX NO.	DESCRIPTION	UNIT NO.	QTY
515-4150-32-03	176 -033	RACK	A515-4101	1	515-4300-38	127 -022	SUPPORT	A515-4350	1
515-4150-33-3	176 -009	GEAR	A515-4101	1	515-4300-38	227 -022	SUPPORT	A515-4350	1
515-4150-34	176 -008	COLLAR	A515-4101	1	515-4300-39	127 -023	HOLDER	A515-4350	1
515-4150-35-2	176 -010	COLLAR	A515-4101	1	515-4300-39	227 -023	RETAINER	A515-4350	1
515-4150-36	176 -006	COLLAR	A515-4101	1	515-4350-01-3	124 -024	GUTTER	A515-4350	1
515-4150-37-1	176 -004	CAP	A515-4101	1	515-4350-01-3	224 -024	GUTTER	A515-4350	1
515-4150-38-01	176 -020	CAP	A515-4101	1	515-4350-02	124 -025	COVER	A515-4350	1
515-4150-39	175 -007	SUPPORT	A515-4101	1	515-4350-02	224 -025	COVER	A515-4350	1
515-4150-40	175 -002	SUPPORT	A515-4101	1	515-4350-03-1	124 -026	SUPPORT	A515-4350	1
515-4150-41-1	173 -027	SUPPORT	A515-4150	1	515-4350-03-1	224 -026	SUPPORT	A515-4350	1
515-4150-41-1	176 -043	SUPPORT	A515-4101	1	515-4350-04-1	124 -027	SUPPORT	A515-4350	1
515-4150-42	172 -017	DOG	A515-4150	1	515-4350-04-1	224 -027	SUPPORT	A515-4350	1
515-4150-42	175 -020	DOG	A515-4101	1	515-4350-05	126 -028	COVER	A515-4350	1
515-4150-43-05	172 -006	ARM	A515-4150	1	515-4350-05	226 -028	COVER	A515-4350	1
515-4150-43-5	175 -023	ARM	A515-4101	1	515-4350-06-1	126 -029	COVER	A515-4350	1
515-4150-46-2	171 -030	COVER	A515-4150	1	515-4350-06-1	226 -029	COVER	A515-4350	1
515-4150-46-2	174 -024	COVER	A515-4101	1	515-4600-39	162 -018	STUD	A515-4600	1
515-4150-47-02	176 -026	CAP	A515-4150	1	515-4602-01-03	162 -039	SUPPORT	A515-4600	1
515-4150-48	176 -023	DRAWING	A515-4101	1	515-4602-02	162 -036	PIPE, steel	A515-4600	1
515-4150-51	173 -016	COLLAR	A515-4150	1	515-4602-03	162 -035	ARM	A515-4600	1
515-4151-01-06	171 -001	COVER	A515-1042	1	515-4602-04-01	162 -029	SHAFT	A515-4600	1
515-4151-01-06	174 -001	COVER	A515-1042	1	515-4602-06-1	162 -006	BASE	A515-4600	1
515-4151-03	171 -013	BOLT	A515-4150	3	515-4602-07	162 -010	SUPPORT	A515-4600	1
515-4151-03	174 -013	BOLT	A515-4101	3	515-4602-62-01	161 -020	HOLDER	A515-4600	1
515-4151-04	171 -017	PLATE	A515-4150	1	515-4602-63-01	161 -023	HOLDER	A515-4600	1
515-4151-05	171 -016	PLATE	A515-4150	1	515-4602-65-02	161 -007	COVER	A515-4600	1
515-4151-73	177 -006	COVER	A515-1042	1	515-4602-91-1	161 -013	BOX	A515-4600	1
515-4151-74	177 -007	COVER	A515-1042	1	515-4602-93-2	161 -018	SUPPORT	A515-4600	1
515-4151-75	177 -008	COVER	A515-1042	1	515-4602-94-1	161 -015	SUPPORT	A515-4600	1
515-4151-76	177 -009	COVER	A515-1042	1	515-4602-95-1	161 -016	SUPPORT	A515-4600	1
515-4151-77	177 -010	COVER	A515-1042	1	515-4603-37	161 -003	PLATE	A515-4600	1

PARTS NO. LIST

PARTS NO.	INDEX NO.	DESCRIPTION	UNIT NO.	QTY	PARTS NO.	INDEX NO.	DESCRIPTION	UNIT NO.	QTY
522-0100-36-23	16 -014	BOLT	A515-0144	1	522-1011-26-1	112 -027	FLANGE	A515-1085	1
522-0101-24-2	17 -011	HOLDER	A515-0144	1	522-1011-26-1	212 -027	FLANGE	A515-1086	1
522-0110-03	16 -016	CAP	A515-0144	1	522-1011-27	112 -010	FLANGE	A515-1085	1
522-0110-04-4	16 -019	LABYRINTH	A515-0144	1	522-1011-27	212 -010	FLANGE	A515-1086	1
522-0110-29-02	3 -024	SUPPORT	A515-0109	1	522-1011-28	112 -008	RING	A515-1085	1
522-0110-29-02	18 -020	SUPPORT	A515-0144	1	522-1011-28	212 -008	RING	A515-1086	1
522-0220-22-03	52 -014	BUSHING	A515-0230	1	522-1011-29-1	112 -006	GUIDE	A515-1085	1
522-0220-22-03	55 -004	BUSHING	A515-0255	1	522-1011-29-1	212 -006	GUIDE	A515-1086	1
522-0220-22-03	192 -014	BUSHING	A515-0230	1	522-1011-42	115 -002	COLLAR	A515-1085	9
522-0230-24	33 -026	PULLEY	A515-0210	1	522-1011-42	121 -003	COLLAR	A515-1085	9
522-0230-24	36 -027	PULLEY	A515-0210	1	522-1011-42	215 -002	COLLAR	A515-1086	9
522-0230-24	183 -026	PULLEY	A515-0210	1	522-1011-42	221 -003	COLLAR	A515-1086	9
522-0230-25-02	33 -044	BUSHING	A515-0210	1	522-1011-46	122 -038	SUPPORT	A515-1040	1
522-0230-25-02	36 -045	BUSHING	A515-0210	1	522-1011-46	222 -038	SUPPORT	A515-1040	1
522-0230-25-02	183 -044	BUSHING	A515-0210	1	522-1011-57-3	102 -015	SUPPORT	A515-0662	1
522-0651-02-3	102 -010	CAP	A515-1040	2	522-1011-57-3	102 -031	SUPPORT	A515-0661	1
522-0651-02-3	203 -010	CAP	A515-1040	2	522-1011-57-3	203 -015	SUPPORT	A515-0662	1
522-1001-31-01	115 -005	SUPPORT	A515-1040	2	522-1011-57-3	203 -031	SUPPORT	A515-0661	1
522-1001-31-01	215 -005	SUPPORT	A515-1040	2	522-1050-83	112 -041	SUPPORT	A515-1085	2
522-1001-38-2	111 -013	SHAFT	A515-1040	4	522-1050-83	212 -041	SUPPORT	A515-1086	2
522-1001-38-2	112 -014	SHAFT	A515-1085	4	522-3000-05	20 -012	PLATE	A515-3060	1
522-1001-38-2	211 -013	SHAFT	A515-1040	4	522-3000-06-2	19 -002	PLATE	A515-3061	1
522-1001-38-2	212 -014	SHAFT	A515-1086	4	522-3000-10-1	19 -023	ADAPTOR	A515-3061	1
522-1001-39-1	111 -017	COLLAR	A515-1040	4	522-3000-10-1	20 -010	ADAPTOR	A515-3060	1
522-1001-39-1	112 -018	COLLAR	A515-1085	4	522-3000-11-02	19 -015	BOX	A515-3061	1
522-1001-39-1	211 -017	COLLAR	A515-1040	4	522-4100-05-5	173 -012	SUPPORT	A515-4150	1
522-1001-39-1	212 -018	COLLAR	A515-1086	4	522-4100-15	173 -010	COLLAR	A515-4150	1
522-1001-41-1	111 -016	ROLLER	A515-1040	4	522-4100-16-1	173 -011	COLLAR	A515-4150	1
522-1001-41-1	112 -017	ROLLER	A515-1085	4	522-4100-21	173 -005	CAP	A515-4150	1
522-1001-41-1	211 -016	ROLLER	A515-1040	4	522-4100-22	173 -002	CAP	A515-4150	1
522-1001-41-1	212 -017	ROLLER	A515-1086	4	522-4500-08-1	162 -023	LEVER	A515-4600	1

PARTS NO. LIST

PARTS NO.	INDEX NO.	DESCRIPTION	UNIT NO.	QTY	PARTS NO.	INDEX NO.	DESCRIPTION	UNIT NO.	QTY
522-4600-09-01	162 -022	BOLT	A515-4600	1	H0002-0009-54	126 -H001	AIR CYLINDER CKD	A515-4350	1
522-4600-10	162 -011	SHAFT	A515-4600	1	H0002-0009-54	225 -H001	AIR CLINDER CKD	A515-1080	1
522-4600-11	162 -016	JOINT	A515-4600	1	H0002-0009-54	226 -H001	AIR CLINDER CKD	A515-4350	1
522-4600-14-1	162 -032	CAP	A515-4600	1	H0009-0000-47	125 -H002	SHOCK KILLER CKD	A515-1080	2
522-4600-19-4	162 -034	BOSS	A515-4600	1	H0009-0000-47	126 -H002	SHOCK KILLER CKD	A515-4350	2
522-4600-23	161 -012	HOLDER	A515-4600	1	H0009-0000-47	225 -H002	SHOCK KILLER CKD	A515-1080	2
522-4600-24	161 -010	CAP	A515-4600	1	H0009-0000-47	226 -H002	SHOCK KILLER CKD	A515-4350	2
530-0400-75	146 -010	DOG	A515-0412	1	H0010-0000-16	127 -H003	ELBOW,maile NITTA	A515-4350	2
530-0400-75	235 -002	DOG	A515-0412	2	H0010-0000-16	227 -H003	ELBOW NITTA	A515-4350	2
530-0400-75	236 -010	DOG	A515-0412	1	H0010-0000-17	127 -H004	ELBOW,maile NITTA	A515-4350	4
530-0402-06	145 -002	DOG	A515-0412	2	H0010-0000-17	227 -H004	CONNECTOR NITTA	A515-4350	4
540-0800-89-01	107 -014	FLANGE	A515-0881	1	H0010-0000-18	127 -H005	CONNECTER,maile NI TTA	A515-4350	6
540-0800-89-01	107 -014	FLANGE	A515-0880	1	H0010-0000-18	227 -H005	CONNECTOR NITTA	A515-4350	6
540-0800-89-01	207 -014	FLANGE	A515-0881	1	H0010-0000-19	127 -H006	CONNECTER,maile NI TTA	A515-4350	8
540-0800-89-01	207 -014	FLANGE	A515-0880	1	H0010-0000-19	227 -H006	CONNECTOR NITTA	A515-4350	8
555-0101-14-03	1 -003	NUT	A515-0107	1	H0010-0000-33	93 -H003	CONNECTOR NITTA C IN1/2-PT3/8	A515-0303	1
H0000-0005-69	144 -H001	CYLINDER HORIUCHI	A515-0412	1	H0010-0000-46	93 -H002	CONNECTOR NITTA C	A515-0301	1
H0000-0005-69	145 -H002	CYLINDER M70S-1-C	A515-0412	1	H0010-0002-96	176 -H003	ELBOW,maile NITTA L2N-3/8-PT1/4	A515-4101	2
H0000-0005-69	234 -H001	CYLINDER HORIUCHI	A515-0412	1	H0010-0021-73	103 -H004	COUPLER	A515-0850	1
H0000-0005-69	235 -H002	CYLINDER M70S-1-C	A515-0412	1	H0010-0021-73	204 -H002	COUPLER	A515-0850	1
H0000-0005-87	146 -H001	CYLINDER HORIUCHI	A515-0412	1	H0010-0300-26	105 -H004	PLUG PA4	A515-1085	40
H0000-0005-87	236 -H001	CYLINDER HORIUCHI	A515-0412	1	H0010-0300-26	106 -H004	PLUG PA4	A515-1085	40
H0001-0003-51	10 -H004	CYLINDER KITAGAWA	A515-3081	1	H0010-0300-26	206 -H004	PLUG PA4	A515-1086	40
H0001-0003-51	13 -H002	CYLINDER KITAGAWA	A515-3081	1	H0010-0300-27	105 -H003	SLEEVE PB4	A515-1085	40
H0001-0003-67	19 -H004	CYLINDER KITAGAWA	A515-3081	1	H0010-0300-27	106 -H003	SLEEVE PB4	A515-1085	40
H0001-0003-67	20 -H002	CYLINDER KITAGAWA	A515-3081	1	H0010-0300-27	206 -H003	SLEEVE PB4	A515-1086	40
H0001-0004-19	93 -H001	MOTOR H-070B22FM-G	A515-0301	1	H0010-0300-28	105 -H007	ELBOW PH4	A515-1085	2
H0001-0004-20-1	73 -H001	MOTOR H-100B22FM-J	A515-0300	1	H0010-0300-28	106 -H002	ELBOW PH4	A515-1085	20
H0001-0004-26	15 -H001	CYLINDER	A515-3086	1	H0010-0300-28	206 -H007	ELBOW PH4	A515-1086	2
H0002-0009-24	162 -H001	CYLINDER, AIR CKD	A515-4600	1	H0012-0001-11	105 -H012	SLEEVE PB6	A515-1085	2
H0002-0009-54	125 -H001	AIR CYLINDER CKD	A515-1080	1	H0012-0001-11	106 -H008	SLEEVE PB6	A515-1085	2

PARTS NO.	INDEX NO.	DESCRIPTION	UNIT NO.	QTY	PARTS NO.	INDEX NO.	DESCRIPTION	UNIT NO.	QTY
H0012-0001-11	206 -H012	SLEEVE PB6	A515-1086	2	H0022-0002-12	106 -H001	PIPE, nylon 4X2000	A515-1085	1
H0012-0001-12	105 -H011	PLUG PA6	A515-1085	2	H0022-0002-12	206 -H001	PIPE, NYLON 4X2000	A515-1086	1
H0012-0001-12	106 -H010	PLUG PA6	A515-1085	2	H0022-0003-43	104 -H005	HOSE, flexible SHO	A515-1085	1
H0012-0001-12	206 -H011	PLUG PA6	A515-1086	2	H0022-0004-09	104 -H008	WA FSC620	A515-1085	1
H0012-0002-48	105 -H002	NIPPLE PD4	A515-1085	15	H0022-0004-11	205 -H003	WA FSC610	A515-1086	1
H0012-0002-48	206 -H002	NIPPLE PD4	A515-1086	15	H0022-0004-45	205 -H005	WA FSC625	A515-1086	1
H0012-0004-93	104 -H012	NIPPLE SHOWA PD56	A515-1085	1	H0022-0004-55	175 -H001	HOSE, flexible SHO	A515-1086	1
H0012-0004-93	205 -H009	NIPPLE SHOWA PD56	A515-1086	1	H0022-0004-57	104 -H003	HOSE SHOWA FHS-65	A515-4101	1
H0012-0005-01	104 -H011	NIPPLE SHOWA PH6-2	A515-1085	1	H0022-0004-58	104 -H002	5 MEX5500	A515-1085	1
H0012-0005-01	205 -H007	NIPPLE SHOWA PH6-2	A515-1086	1	H0022-0004-58	205 -H002	HOSE, flexible SHO	A515-1086	1
H0012-0005-44	105 -H010	PLUG PG004	A515-1085	2	H0022-0004-59	104 -H006	WA FSC616	A515-1085	1
H0012-0005-44	206 -H010	PLUG PG004	A515-1086	2	H0022-0004-67	104 -H009	WA FSC616	A515-1085	1
H0012-0005-94	106 -H007	ELBOW PH6-M10	A515-1085	3	H0022-0004-77	104 -H007	HOSE, flexible SHO	A515-1085	1
H0012-0006-99	104 -H001	TEE SHOWA PKD6	A515-1085	4	H0022-0004-77	205 -H004	WA FSC623	A515-1086	1
H0012-0006-99	205 -H001	TEE SHOWA PK6	A515-1086	2	H0026-0002-58	104 -H004	HOSE, flexible SHO	A515-1085	1
H0012-0007-02	105 -H009	BLOCK DS5 0.1X1 0.03X4	A515-1085	1	H0027-0000-55	100 -H002	HOSE 1/2 (3200)	A515-1085	2
H0012-0007-02	106 -H009	BLOCK DS5 0.1X1 0.03X4	A515-1086	1	H0027-0000-55	101 -H002	HOSE 1/2 (3200)	A515-1085	2
H0012-0007-02	206 -H009	BLOCK DS5 0.1X1 0.03X4	A515-1085	1	H0027-0000-65	100 -H003	HOSE 1/2 (400)	A515-1085	1
H0012-0007-03	106 -H005	BLOCK DS8 0.03X7	A515-1085	1	H0027-0000-65	101 -H003	HOSE 1/2 (400)	A515-1085	1
H0012-0007-04	105 -H005	BLOCK 0.1X5 0.03X5	A515-1085	2	H0027-0000-65	201 -H003	HOSE 1/2 (400)	A515-1086	1
H0012-0007-04	206 -H005	BLOCK 0.1X5 0.03X5	A515-1086	1	H0027-0000-65	202 -H003	HOSE 1/2 (400)	A515-1086	1
H0012-0007-07	106 -H006	GASKET 3-1846	A515-1085	1	H0027-0001-98	100 -H001	HOSE 1/2 (3000)	A515-1085	2
H0012-0007-42	105 -H006	CONNECTOR PQ10T	A515-1085	2	H0027-0001-98	101 -H001	HOSE 1/2 (3000)	A515-1085	2
H0012-0007-42	206 -H006	CONNECTOR PQ10T	A515-1086	2	H0027-0001-98	201 -H001	HOSE 1/2 (3000)	A515-1086	2
H0012-0007-45	105 -H008	BLOCK DS5 0.1X2 0.03X3	A515-1085	1	H0027-0001-98	202 -H001	HOSE 1/2 (3000)	A515-1086	2
H0012-0007-45	206 -H008	BLOCK DS5 0.1X2 0.03X3	A515-1086	1	H0027-0003-16	201 -H002	HOSE 1/2 (3400)	A515-1086	2
H0015-0004-81	175 -H003	SUB PLATE NACHI M SA-01Y-10	A515-4101	1	H0027-0003-16	202 -H002	HOSE 1/2 (3400)	A515-1086	2
H0015-0001-80	103 -H003	SOCKET	A515-0850	1	H0027-0003-23	100 -H006	HOSE 1/2 (450)	A515-1085	1
H0015-0001-80	204 -H001	SOCKET	A515-0850	1	H0027-0003-23	101 -H006	HOSE 1/2 (450)	A515-1085	1
H0015-0002-80	106 -H011	BLOCK DSA8 0.2X7 0.1X1	A515-1085	1	H0027-0003-23	201 -H004	HOSE 1/2 (450)	A515-1086	1
H0022-0002-12	105 -H001	PIPE, NYLON 4X2000	A515-1085	1	H0027-0003-23	202 -H004	HOSE 1/2 (450)	A515-1086	1

PARTS NO. LIST

PARTS NO.	INDEX NO.	DESCRIPTION	UNIT NO.	QTY	PARTS NO.	INDEX NO.	DESCRIPTION	UNIT NO.	QTY
H0027-0003-24	100 -H004	HOSE 1/4 (5200)	A515-1085	1	H0031-0004-96	92A-H002	X-RING	A515-0321	1
H0027-0003-24	101 -H004	HOSE 1/4 (5200)	A515-1085	1	H0031-0007-53	141 -H001	PACKING CU06, 9KO	A515-0410	1
H0027-0003-25	100 -H005	HOSE 3/8 (5200)	A515-1085	1	H0031-0007-53	149 -H001	PACKING CU06 9KO	A515-0410	1
H0027-0003-25	101 -H005	HOSE 3/8 (5200)	A515-1085	1	H0031-0007-53	154 -H006	PACKING NOK USH C	A515-0410	1
H0027-0003-26	100 -H010	HOSE 3/8 (2450)	A515-1085	2	H0031-0007-53	231 -H001	U0619KO 50X60X6	A515-0411	1
H0027-0003-26	101 -H010	HOSE 3/8 (2450)	A515-1085	2	H0031-0007-53	239 -H001	PACKING CU06 9KO	A515-0411	1
H0027-0003-28	103 -H001	HOSE TOKAI	A515-1085	1	H0031-0007-53	244 -H006	PACKING NOK USH C	A515-0411	1
H0027-0003-29	103 -H002	HOSE TOKAI	A515-1085	1	H0031-0007-59	91 -H002	U0619KO 50X60X6	A515-0301	2
H0027-0003-32	100 -H009	HOSE 1/2 (2150)	A515-1085	2	H0031-0008-85	141 -H003	PACKING CU0320K0	A515-0410	1
H0027-0003-32	101 -H009	HOSE 1/2 (2150)	A515-1085	2	H0031-0008-85	149 -H003	PACKING CU0320K0	A515-0410	1
H0027-0003-32	201 -H007	HOSE 1/2 (2150)	A515-1086	2	H0031-0008-85	154 -H004	PACKING NOK USH C	A515-0410	1
H0027-0003-32	202 -H007	HOSE 1/2 (2150)	A515-1086	2	H0031-0008-85	231 -H003	U0320K0	A515-0411	1
H0027-0003-47	201 -H008	HOSE 3/8 (2700)	A515-1086	2	H0031-0008-85	239 -H003	PACKING CU0320K0	A515-0411	1
H0027-0003-47	202 -H008	HOSE 3/8 (2700)	A515-1086	2	H0031-0008-85	244 -H004	PACKING NOK USH C	A515-0411	1
H0030-0000-67	127 -H008	ACCUMULATOR	A515-4350	1	H0031-0009-35	141 -H002	U320K0	A515-0410	1
H0030-0000-67	227 -H008	ACCUMULATOR	A515-4350	1	H0031-0009-35	149 -H002	SEAL FD3913A0	A515-0410	1
H0031-0000-09	146 -H002	PACKING	A515-0412	1	H0031-0009-35	149 -H002	SEAL FD3913A0	A515-0410	1
H0031-0000-09	236 -H002	PACKING	A515-0412	1	H0031-0009-35	154 -H003	DUST SEAL NOK DK1	A515-0410	1
H0031-0000-36	162 -H002	DUST SEAL NOK DK1 FD2041A0	A515-4600	1	H0031-0009-35	231 -H002	FD3913A0	A515-0411	1
H0031-0001-05	141 -H004	CAP SEAL DAINICHI	A515-0410	1	H0031-0009-35	239 -H002	SEAL FD3913A0	A515-0411	1
H0031-0001-05	149 -H004	CAP SEAL DAINICHI	A515-0410	1	H0031-0010-55	71 -H001	PACKING	A515-0300	2
H0031-0001-05	154 -H005	CAP SEAL DAINICHI	A515-0410	1	H0031-0012-18	71 -H003	CAP SEAL	A515-0300	1
H0031-0001-05	231 -H004	CAP SEAL DAINICHI	A515-0411	1	H0031-0012-19	91 -H001	CAP SEAL DAINICHI	A515-0301	1
H0031-0001-05	239 -H004	CAP SEAL, DAINICHI	A515-0411	1	H0031-0013-70	105 -H013	PLUG PG10	A515-1085	2
H0031-0001-05	244 -H005	CAP SEAL DAINICHI	A515-0411	1	H0031-0013-70	106 -H012	PLUG, seal PG10	A515-1085	1
H0031-0002-44	75A-H003	CAP SEAL, DAINICHI	A515-4000	1	H0031-0013-70	206 -H013	PLUG PG10	A515-1086	2
H0031-0002-44	75B-H001	X-RING	A515-4000	1	H0031-0015-80	75A-H004	X-RING	A515-4000	1
H0031-0002-93	72 -H002	RING	A515-0310	1	H0032-0002-16	127 -H001	AIR-FILTER CKD	A515-0750	1
H0031-0002-93	72A-H002	RING	A515-0311	1	H0032-0002-16	227 -H001	AIR FILTER CKD	A515-0750	1
H0031-0002-93	75A-H002	X-RING	A515-4000	1	H0036-0000-42	127 -H007	SILENCER CKD	A515-4350	4
H0031-0004-96	92 -H002	X-RING R-25	A515-0320	1	H0036-0000-42	227 -H007	SILENCER CKD	A515-4350	4

PARTS NO. LIST

PARTS NO.	INDEX NO.	DESCRIPTION	UNIT NO.	QTY	PARTS NO.	INDEX NO.	DESCRIPTION	UNIT NO.	QTY
H0039-0002-02	107A-H005	OIL GAUGE	A515-0862	1	H1002-0001-03	176 -H001	PIN, taper 6X20	A515-4101	1
H0039-0002-42	122 -H001	GAUGE, oil KOHO AP 150	A515-1040	1	H1003-0001-64	161 -H001	HINGE TAKIGEN B-1 059-5	A515-4500	2
H0039-0002-42	222 -H001	GAUGE, oil KOHO AP 150	A515-1040	1	H1004-0002-78	113 -H004	WASHER SINATOMO C 5140-00061 6	A515-1040	12
H0090-0000-74	107 -H001	OIL GAUGE KOHO AP 150	A515-0881	2	H1004-0002-78	118 -H003	WASHER SINATOMO C 5140-00061 6	A515-1040	18
H0090-0000-74	207 -H001	OIL GAUGE KOHO AP 150	A515-0881	2	H1004-0002-78	119 -H004	WASHER SINATOMO C 5140-00061 6	A515-1085	7
H0120-0002-28-1	104 -H010	TANK, lubrication SHOWA MLB03W-2	A515-0620	1	H1004-0002-78	120 -H002	WASHER, polished 6	A515-1085	11
H0120-0002-28-1	205 -H006	TANK, lubrication SHOWA MLB03W-2	A515-0620	1	H1004-0002-78	213 -H004	WASHER SINATOMO C 5140-00061 6	A515-1040	2
H0130-0007-54	14 -H001	GAUGE TOYO DUI/4X M60X1000P	A515-0657	1	H1004-0002-78	213 -H007	WASHER SINATOMO C 5140-00061 6	A515-1040	6
H0130-0007-54	102 -H001	GAUGE TOYO DUI/4X M60X1000P	A515-0657	2	H1004-0002-78	213 -H015	WASHER SINATOMO C 5140-00061 6	A515-1040	4
H0130-0007-54	203 -H001	GAUGE TOYO DUI/4X M60X1000P	A515-0657	2	H1004-0002-78	217 -H005	WASHER SINATOMO C 5140-00061 6	A515-1040	3
H0130-0008-71	100 -H007	HYDRAULIC UNIT (S TD)	A515-0650	1	H1004-0002-78	217 -H007	WASHER SINATOMO C 5140-00061 6	A515-1040	4
H0130-0008-71	101 -H007	HYDRAULIC UNIT (S TD)	A515-0650	1	H1004-0002-78	217 -H010	WASHER SINATOMO C 5140-00061 6	A515-1040	4
H0130-0008-71	201 -H005	HYDRAULIC UNIT (S TD)	A515-0650	1	H1004-0002-78	217 -H014	WASHER SINATOMO C 5140-00061 6	A515-1040	7
H0130-0008-71	202 -H005	HYDRAULIC UNIT (S TD)	A515-0650	1	H1004-0002-78	219 -H002	WASHER, polished 6	A515-1086	3
H0130-0008-82	100 -H008	HYDRAULIC UNIT (EC)	A515-0651	1	H1004-0002-78	219 -H004	WASHER, polished 6	A515-1086	3
H0130-0008-82	101 -H008	HYDRAULIC UNIT (EC)	A515-0651	1	H1004-0002-78	219 -H007	WASHER, polished S HINATOMO	A515-1086	4
H0130-0008-82	201 -H006	HYDRAULIC UNIT (EC)	A515-0651	1	H1004-0002-78	219 -H010	WASHER, polished 6	A515-1086	3
H0130-0008-82	202 -H006	HYDRAULIC UNIT (EC)	A515-0651	1	H1004-0002-78	219 -H013	WASHER, polished S HINATOMO	A515-1086	5
H0190-0026-72	131 -H002	CONVEYOR, chip	A515-0910	1	H1004-0002-84	112 -H001	WASHER DAIDO WC45 DUN	A515-1085	1
H0190-0028-64	107A-H006	CONVEYOR, chip	A515-0912	1	H1004-0002-84	212 -H001	WASHER DAIDO WC45 DUN	A515-1086	1
H1001-0007-77	175 -H002	BOLT, socket-head NACHI	A515-4101	4	H1005-0003-02	144 -H002	NUT, hex. No. 3 M10X P1, 25	A515-0412	1
H1001-0010-04	142 -H002	SET-SCREW	A515-0420	1	H1005-0003-02	145 -H001	NUT, hex 10	A515-0412	1
H1001-0010-04	232 -H002	SET-SCREW	A515-0420	1	H1005-0003-02	234 -H002	NUT, hex. No.3 M10XP 1, 25	A515-0412	1
H1001-0014-10	154 -H001	BOLT GOSHO 4X10	A515-0422	4	H1005-0003-02	235 -H001	NUT, hex 10	A515-0412	1
H1001-0014-10	244 -H001	BOLT GOSHO 4X10	A515-0424	4	H1009-0000-47	11 -H002	TOGGLE	A515-1085	1
H1001-0014-17	113 -H020	SPECIAL BOLT GOSH O 6X15	A515-1040	4	H1009-0000-47	114 -H002	TOGGLE TAKIGEN C-25-D	A515-1085	1
H1001-0014-17	213 -H020	SPECIAL BOLT GOSH O 6X15	A515-1040	4	H1009-0000-47	214 -H002	TOGGLE TAKIGEN C-25-D	A515-1086	1
H1001-0015-67	125 -H009	BOLT, socket-head GOSHO	A515-1080	4	H1014-0005-65	51 -H001	BALL SCREW	A515-0270	1
H1001-0015-67	126 -H009	BOLT, socket-head GOSHO	A515-4350	4	H1014-0005-65	191 -H001	BALL SCREW	A515-0270	1
H1001-0015-67	225 -H009	SPECIAL BOLT GOSH O	A515-1080	4	H1014-0005-66	54 -H003	BALL SCREW	A515-0271	1
H1001-0015-67	226 -H009	SPECIAL BOLT GOSH O	A515-4350	4	H1014-0005-67-1	33 -H002	BALL SCREW	A515-0272	1

PARTS NO. LIST

PARTS NO.	INDEX NO.	DESCRIPTION	UNIT NO.	QTY	PARTS NO.	INDEX NO.	DESCRIPTION	UNIT NO.	QTY
H1014-0005-67-1	36 -H004	BALL SCREW (2SC)	A515-0272	1	H1020-1091-33	161 -H002	PLATE 80X273X2	A515-4600	1
H1014-0005-67-1	183 -H004	BALL SCREW	A515-0272	1	H1020-1092-91-1	112 -H002	PACKING 304X424X2	A515-1085	1
H1019-0004-44	39 -H001	TIMING PULLEY	A515-0210	1	H1020-1092-91-1	212 -H002	PACKING 304X424X2	A515-1086	1
H1019-0004-44	185 -H001	TIMING PULLEY	A515-0210	1	H1020-1093-14-3	119 -H001	PACKING 29X315X4	A515-1040	2
H1019-0004-54	39 -H002	TIMING PULLEY	A515-0210	1	H1020-1093-14-3	218 -H001	PACKING 29X315X4	A515-1040	2
H1019-0005-75	55 -H002	PULLEY	A515-0255	1	H1020-1093-15-1	119 -H002	PACKING 40X322X4	A515-1040	1
H1019-0005-76	52 -H003	PULLEY	A515-0205	1	H1020-1093-15-1	218 -H002	PACKING 40X322X4	A515-1040	1
H1019-0005-76	192 -H003	PULLEY	A515-0205	1	H1020-1093-48-1	2 -H002	PACKING	A515-0108	1
H1019-0008-18	52 -H001	PULLEY	A515-0230	1	H1020-1093-48-1	17 -H002	PACKING	A515-0132	1
H1019-0008-18	55 -H001	PULLEY	A515-0255	1	H1020-1095-54-03	3 -H001	SHEET	A515-0109	1
H1019-0008-18	192 -H001	PULLEY	A515-0230	1	H1020-1095-54-1	18 -H001	SHEET	A515-0144	1
H1020-1075-36-2	117 -H001	PLATE NBR 232X240 X1	A515-0255	1	H1020-1095-57-1	17 -H001	SHEET	A515-0144	1
H1020-1075-52	142 -H001	PACKING	A515-0410	1	H1020-1095-88	117 -H003	PACKING	A515-0256	1
H1020-1075-52	153 -H002	PACKING	A515-0410	1	H1020-1095-89	117 -H004	PACKING	A515-0256	1
H1020-1075-52	232 -H001	PACKING	A515-0411	1	H1020-1096-04-1	118 -H007	PACKING 121.8X183 X3	A515-1040	1
H1020-1075-52	243 -H002	PACKING	A515-0411	1	H1020-1096-04-1	217 -H001	PACKING 121.8X183 X3	A515-1040	1
H1020-1075-59	113 -H007	PLATE 141X446X1	A515-1040	2	H1020-1096-78	161 -H005	PACKING 75X90X1.0	A515-4600	2
H1020-1075-59	213 -H009	PLATE 141X446X1	A515-1040	2	H1020-1098-71	75A-H001	PACKING	A515-4000	1
H1020-1075-68-2	111 -H002	PLATE NBR 513X713 X3	A515-1040	1	H1020-1099-40	176 -H002	PACKING 60X77X1.0	A515-4101	1
H1020-1075-68-2	211 -H002	PLATE NBR 513X713 X3	A515-1040	1	H1020-1100-80	121 -H002	PLATE 200X454X4	A515-0881	1
H1020-1079-89-1	10 -H001	PLATE	A515-3052	1	H1020-1100-80	221 -H002	PLATE 200X454X4	A515-0881	1
H1020-1079-90-1	10 -H003	PACKING	A515-3052	1	H1020-1102-23	161 -H004	PLATE 35X280X1	A515-4600	1
H1020-1079-90-1	19 -H003	PACKING	A515-3061	1	H1020-1102-24	161 -H003	PLATE 85X260X1	A515-4600	1
H1020-1082-76	10 -H002	PACKING	A515-3052	1	H1020-1102-25	244 -H007	PLUG 30X9	A515-0411	1
H1020-1082-76	19 -H002	PACKING	A515-3061	1	H1020-1105-67	118 -H005	PACKING 24.5X198X 2	A515-1040	1
H1020-1083-05	219 -H008	STOPPER 20X100X10	A515-1086	1	H1020-1105-67	217 -H013	PACKING 24.5X198X 2	A515-1040	1
H1020-1083-93-1	19 -H001	PLATE	A515-3061	1	H1020-1105-69	117 -H005	PACKING	A515-0256	1
H1020-1087-10	121 -H003	PLATE	A515-0881	1	H1020-1105-70-1	117 -H007	PLATE 151X212X1	A515-0255	1
H1020-1087-10	221 -H004	PLATE	A515-0881	2	H1020-1105-71	117 -H006	PLATE 151X273.5X1	A515-0255	1
H1020-1090-91	218A-H003	STOPPER 12X45X10	A515-1086	2	H1020-1106-70	111 -H004	PACKING 513X713X1	A515-1040	1
H1020-1090-91	219 -H014	STOPPER 12X45X10	A515-1086	2	H1020-1106-70	211 -H004	PACKING 513X713X1	A515-1040	1

PARTS NO. LIST

PARTS NO.	INDEX NO.	DESCRIPTION	UNIT NO.	QTY	PARTS NO.	INDEX NO.	DESCRIPTION	UNIT NO.	QTY
H1020-1106-96	38 -H014	PLATE	A515-0255	1	H1023-0007-46	53 -H002	WIPER	A515-0205	1
H1020-1106-97	38 -H023	PLATE	A515-0255	1	H1023-0007-46	193 -H002	WIPER	A515-0205	1
H1020-1106-98	38 -H013	PLATE	A515-0255	1	H1023-0007-47	53 -H001	WIPER	A515-0205	1
H1020-1106-99	38 -H022	PLATE	A515-0255	1	H1023-0007-47	193 -H001	WIPER	A515-0205	1
H1020-1107-33	113 -H001	WIPER 38X473X1.5	A515-1040	1	H1023-0007-48	53 -H003	WIPER	A515-0205	1
H1020-1107-33	213 -H001	WIPER 38X473X1.5	A515-1040	1	H1023-0007-48	193 -H003	WIPER	A515-0205	1
H1020-1109-17	107A-H003	PLATE	A515-0862	1	H1023-0007-54	56 -H003	WIPER	A515-0255	1
H1020-1110-51	31 -H001	STOPPER	A515-0008	2	H1023-0007-55	56 -H001	WIPER	A515-0255	1
H1020-1110-51	181 -H001	STOPPER	A515-0008	2	H1023-0007-56	56 -H002	WIPER	A515-0255	1
H1020-1116-93	220 -H005	PACKING 115X401X3	A515-1086	1	H1023-0010-73	113 -H003	SEAL NITTA LR15	A515-1040	1
H1020-1121-12-2	113 -H014	WIPER 128.5X417X3	A515-1040	1	H1023-0010-73	213 -H003	SEAL NITTA LR15	A515-1040	1
H1020-1121-12-2	213 -H014	WIPER 128.5X417X3	A515-1040	1	H1023-0012-16-1	120 -H003	WIPER NITTA LR15	A515-1085	1
H1020-1122-75	219 -H015	WIPER	A515-1086	1	H1023-0012-17-1	120 -H004	WIPER NITTA LR15	A515-1085	1
H1020-1126-06	123 -H004	PLATE	A515-0862	1	H1023-0012-19	118 -H002	SEAL NITTA	A515-1040	1
H1020-1126-06	223 -H004	PLATE	A515-0862	1	H1023-0012-19	217 -H003	SEAL NITTA	A515-1040	1
H1020-1126-07-1	123 -H005	PLATE	A515-0862	1	H1023-0012-20	118 -H004	SEAL NITTA	A515-1040	1
H1020-1126-07-1	223 -H005	PLATE	A515-0862	2	H1023-0012-20	217 -H009	SEAL NITTA	A515-1040	1
H1020-1129-21-1	114 -H003	PACKING	A515-1085	1	H1023-0012-21	118 -H006	SEAL NITTA	A515-1040	1
H1020-1129-21-1	214 -H003	PLATE	A515-1086	1	H1023-0012-21	217 -H016	SEAL NITTA	A515-1040	1
H1020-1137-17	2 -H001	SHEET	A515-0109	1	H1023-0012-22	119 -H005	WIPER	A515-1085	1
H1022-1032-51	54 -H002	CUSHION NBR 15X46	A515-0255	1	H1023-0012-29	34 -H001	WIPER	A515-0205	1
H1022-1032-52	54 -H001	CUSHION NBR M55XM 75X5	A515-0255	1	H1023-0012-29	184 -H001	WIPER	A515-0205	1
H1022-1032-53	51 -H002	CUSHION	A515-0205	4	H1023-0012-31	38 -H005	WIPER	A515-0255	1
H1022-1032-53	191 -H002	CUSHION	A515-0205	4	H1023-0012-32	38 -H006	WIPER	A515-0255	1
H1022-1032-61	113 -H008	PLATE 141X446X3	A515-1040	1	H1023-0012-33	38 -H011	WIPER	A515-0255	1
H1022-1032-61	213 -H010	PLATE 141X446X3	A515-1040	1	H1023-0012-34	38 -H002	WIPER	A515-0255	1
H1022-1037-60	56 -H005	PLATE	A515-0255	1	H1023-0012-35	38 -H026	WIPER	A515-0255	1
H1022-1041-75	56 -H004	PLATE	A515-0255	1	H1023-0012-36	38 -H009	WIPER	A515-0255	1
H1022-1042-99	111 -H003	PLATE FUKUI 511X7 11X6	A515-1040	1	H1023-0012-37	38 -H020	WIPER	A515-0255	1
H1022-1042-99	211 -H003	PLATE FUKUI 511X7 11X6	A515-1040	1	H1023-0012-38	38 -H008	WIPER	A515-0255	1
H1023-0007-38-1	38 -H028	WIPER	A515-0255	1	H1023-0012-39	38 -H003	WIPER	A515-0255	1

PARTS NO. LIST

PARTS NO.	INDEX NO.	DESCRIPTION	UNIT NO.	QTY	PARTS NO.	INDEX NO.	DESCRIPTION	UNIT NO.	QTY
H1023-0014-06	113 -H006	SEAL NITTA LR15	A515-1040	1	H1061-0000-66	114 -H001	TONGS TAKIGEN A-3	A515-1085	1
H1023-0014-06	213 -H006	SEAL NITTA LR15	A515-1040	1	H1061-0000-66	214 -H001	TONGS TAKIGEN A-3	A515-1086	1
H1023-0014-48	147 -H001	WIPER	A515-0405	1	H1080-0002-70	131 -H003	CASTER PBO M130	A127-0200	1
H1023-0014-48	152 -H001	WIPER	A515-0405	1	H1080-0002-71	131 -H001	CASTER PBW M130	A127-0201	4
H1023-0014-48	237 -H001	WIPER	A515-0405	1	H1080-0002-71	131 -H004	CASTER PBW M130	A127-0200	2
H1023-0014-48	242 -H001	WIPER	A515-0405	1	H1080-0002-86	107 -H004	CASTER	A515-0881	4
H1023-1021-72	75C-H001	BOOTS	A515-4102	1	H1080-0002-86	207 -H004	CASTER	A515-0881	4
H1023-1027-37	32 -H001	STOPPER NBR 19X32 X10	A515-0215	1	H1090-1006-92	113 -H021	BRUSH	A515-1040	1
H1023-1027-37	33 -H003	STOPPER	A515-0215	1	H1090-1006-92	213 -H021	BRUSH	A515-1040	1
H1023-1027-37	36 -H002	STOPPER NBR 19X32 X10	A515-0266	2	H9007-1700-02-3	95 -H001	TERMINAL BOX	A515-0301	1
H1023-1027-37	182 -H001	STOPPER NBR 19X32 X10	A515-0215	1	H9007-2000-01-04	238 -H001	TERMINAL BOX	A515-0412	1
H1023-1027-37	183 -H002	STOPPER	A515-0215	1	H9007-2000-01-04	243 -H001	TERMINAL BOX	A515-0413	1
H1023-1032-45	219 -H011	WIPER NITTA 20X86	A515-1086	1	H9007-2000-01-4	148 -H001	TERMINAL BOX	A515-0412	1
H1023-1032-47	220 -H007	WIPER NITTA 23X40 1X2	A515-1086	1	H9007-2000-01-4	153 -H001	TERMINAL BOX	A515-0413	1
H1023-1032-48	220 -H003	WIPER NITTA 23X40 1X2	A515-1086	1	H9009-3100-01-5	116 -H001	TERMINAL BOX SPN	A515-0300	1
H1023-1033-45	219 -H005	WIPER NITTA 20X84 4X2	A515-1086	1	H9009-3100-01-5	216 -H001	TERMINAL BOX SPN	A515-0300	1
H1024-0002-24	33 -H001	BELLOWS (2SC)	A515-0285	1	H9011-1800-01-2	117 -H002	TERMINAL BOX	A515-0256	1
H1024-0002-24	183 -H001	BELLOWS (2SC)	A515-0285	1	H9020-2900-06	116 -H002	TERMINAL BOX SPHC	A515-0205	1
H1024-0002-25	36 -H003	BELLOWS (2SC)	A515-0266	1	H9020-2900-06	216 -H002	TERMINAL BOX SPHC	A515-0205	1
H1024-0002-26	36 -H001	BELLOWS (2SC)	A515-0266	1	H9022-6200-04-1	115 -H001	TERMINAL BOX	A515-0008	1
H1032-1006-38	38 -H015	WIPER	A515-0255	1	H9022-6200-04-1	215 -H001	TERMINAL BOX	A515-0008	1
H1032-1006-39	38 -H024	PACKING	A515-0255	1	X	104 -013	PIPE, steel 6X100	A515-1085	1
H1032-1006-40	38 -H012	PACKING	A515-0255	1	X	105 -008	PIPE, steel 6X150	A515-1085	1
H1032-1006-41	38 -H021	PACKING	A515-0255	1	X	106 -012	PIPE, nylon	A515-1085	1
H1040-1035-20-2	72 -H001	NAMEPLATE	A515-0310	1	X	205 -008	PIPE, steel 6X100	A515-1086	1
H1040-1035-20-2	72A-H001	NAMEPLATE	A515-0311	1	X	206 -008	PIPE, steel 6X150	A515-1086	1
H1040-1046-08	92 -H001	NAMEPLATE M30XM90	A515-0320	1					
H1040-1046-08	92A-H001	NAMEPLATE	A515-0321	1					
H1040-1047-89	111 -H005	NAMEPLATE	A515-1500	1					
H1040-1047-89	211 -H005	NAMEPLATE	A515-1500	1					
H1061-0000-66	11 -H001	TONGS	A515-1085	1					

LIST OF PUBLICATIONS

Publication No.	Date	Edition
LE15-027-R3	July 1988	3rd
LE15-027-R4	November 1989	4th
LE15-027-R5	April 1991	5th
LE15-027-R6	May 1992	6th

This manual may be at variance with the actual product due to specification or design changes.

Please also note that specifications are subject to change without notice.

If you require clarification or further explanation of any point in this manual, please contact your OKUMA representative.

