

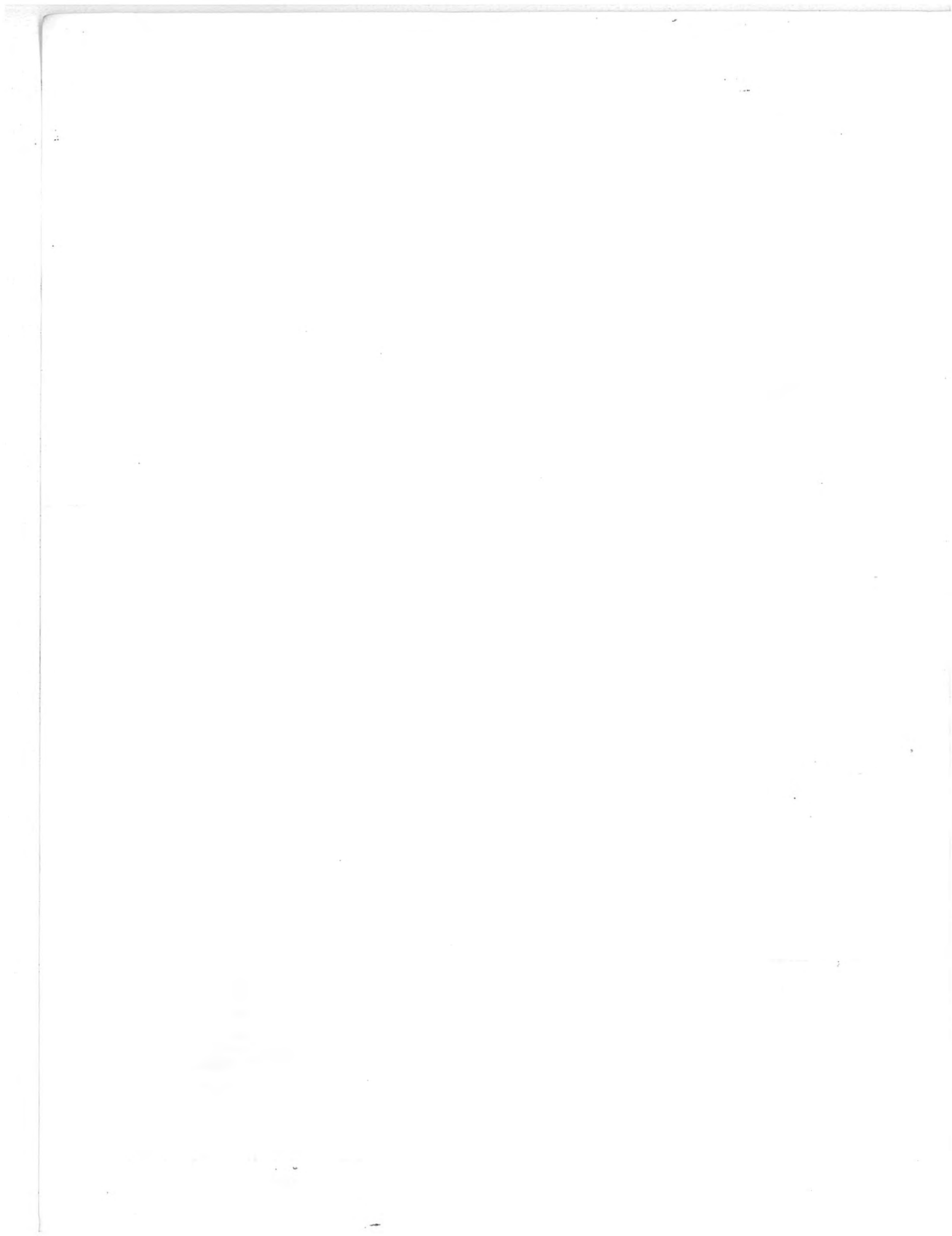
CNC LATHE
LNC 8

with OSP5020L CNC

PARTS BOOK



Publication No. KLNC8-367
(May 1991)



PARTS BOOK

This parts book has been prepared to assist you in ordering replacements and servicing parts for the OKUMA LNC8 CNC Lathe.

Due to constant improvements in design, you may find slight variations from the machine delivered to you. This merely indicates that equipment improvements have been made to better meet your requirements.

ORDERING REPAIR PARTS

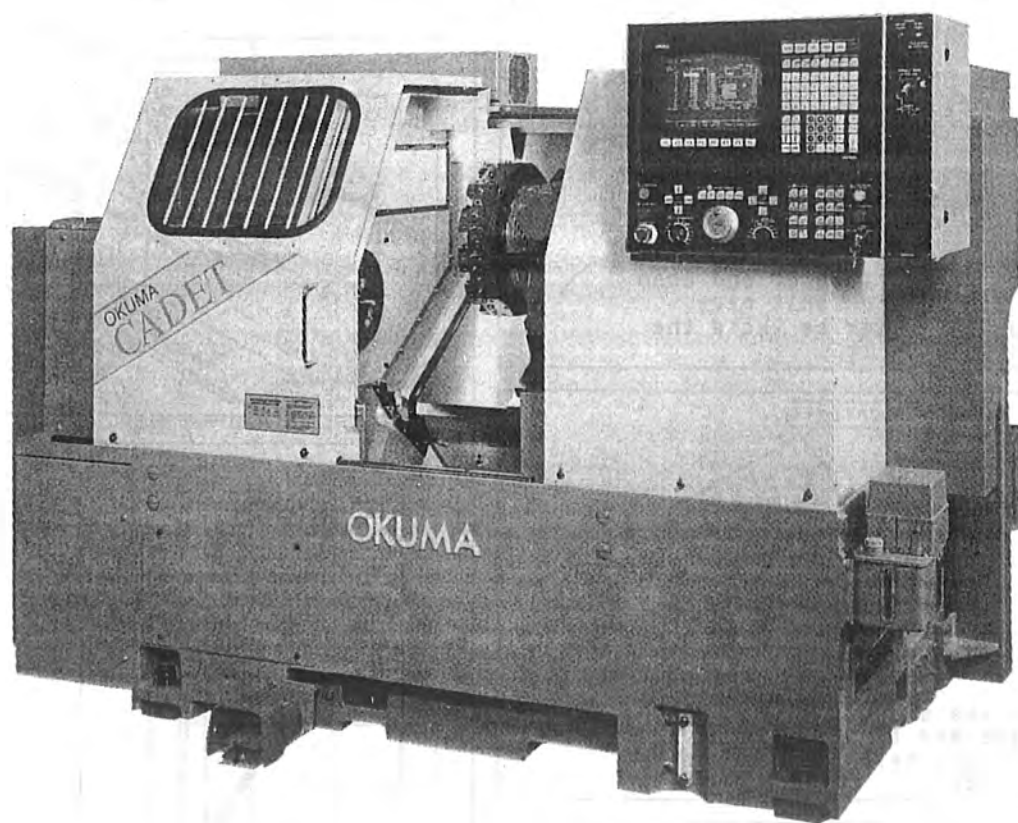
In order to obtain smooth and rapid service when ordering repair parts, please give careful attention to the following five instructions.

These FIVE requirements are essential:

1. GIVE COMPLETE SIZE, TYPE OF MACHINE AND CNC SYSTEM.
EX.: LNC8 with OSP5020L.
2. GIVE COMPLETE SERIAL NUMBER OF MACHINE.
This serial number will be found stamped on the manufacturer's name plate attached to the machine.
3. GIVE PARTS BOOK PUBLICATION NO., SHEET NO., INDEX NO., PART NO., AND PART NAME (DESCRIPTION).
4. FOR ELECTRICALS, SPECIFY POWER VOLTAGE, FREQUENCY, RATING, BRAND NAME AND OTHER INFORMATION FOUND ON THE PART.
5. STATE QUANTITY WANTED.

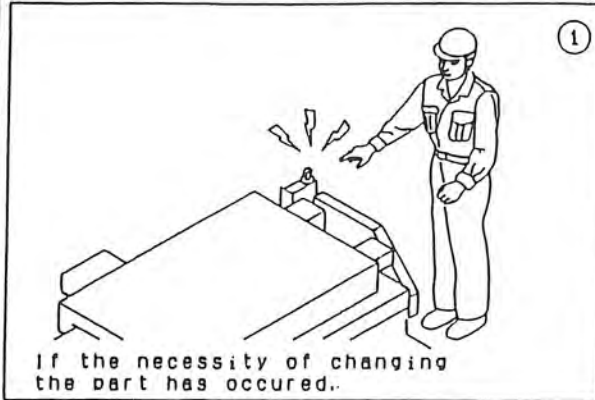
Note: "T" (w/o tailstock) or "C" (w/tailstock) may appear in LNC series model designation, for example: "LNC8T" or "LNC8C."



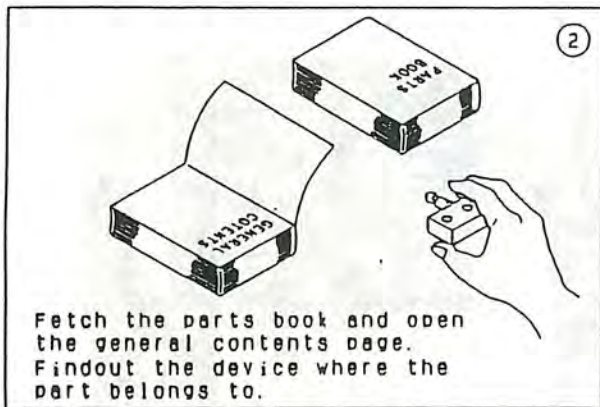


OKUMA LNC8 LATHE with OSP5020L

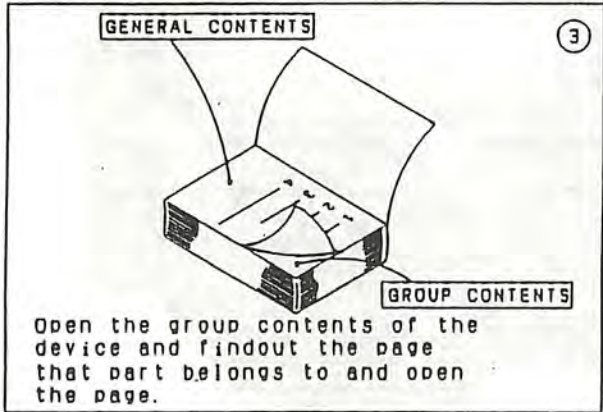
Reference to the parts book
(when the part No. is not given)



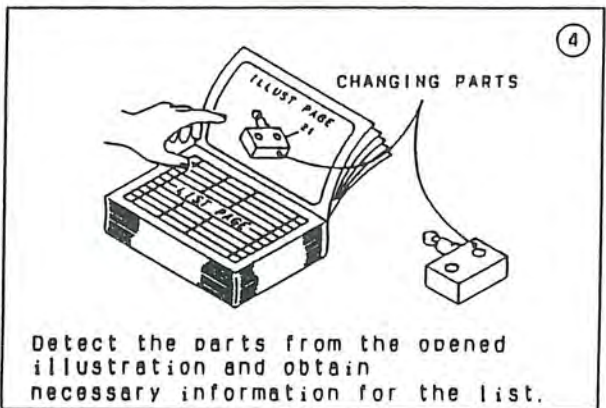
If the necessity of changing the part has occurred.



Fetch the parts book and open the general contents page. Find out the device where the part belongs to.



Open the group contents of the device and find out the page that part belongs to and open the page.



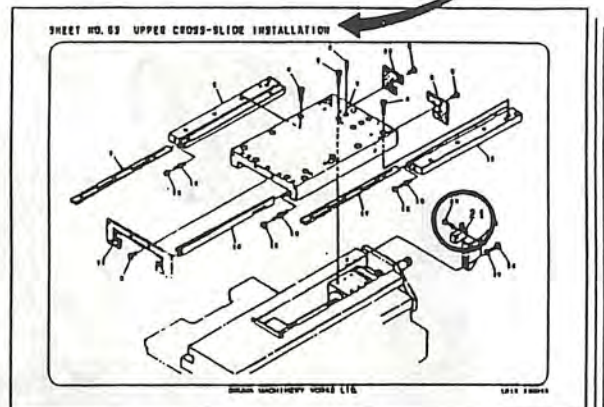
Detect the parts from the opened illustration and obtain necessary information for the list.

~GENERAL CONTENTS~

GROUP NAME	SHEET NO.
1. HEADSTOCK GROUP	1~14
2. Z-AXIS GROUP	31~39
3. X-AXIS GROUP	51~56

~CONTENTS~

SHEET NO.	ASSEMBLY NAME	PAGE
NO. 051	UPPER X-AXIS BALL-SCREW	52-53
NO. 052	UPPER X-AXIS DRIVE DEVICE	54-55
NO. 053	UPPER CROSS-SLIDE INSTALLATION	56-57



INDEX NO.	PARTS NO.	DESCRIPTION	UNIT NO.	QTY
03-21	E3010-001-017	LIMIT-SWITCH, YAMATAKE	A610-0209	1

①	②	③	④	⑤
03-21	E3010-001-017	LIMIT-SWITCH, YAMATAKE	A610-0209	1

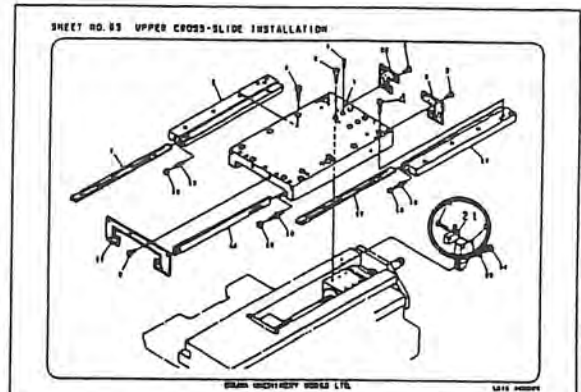
- ① INDEX NO. (SHEET NO. - ITEM NO.)
- ② PARTS NO.
- ③ DESCRIPTION
- ④ UNIT NO.
- ⑤ QTY

Reference to the parts book (when the part No. is given)

- ① After searching the part No. in the part No. list, remember the index No.

PART NO. LIST

- ③ Open related group contents from group No. and open the illustration and the list page. Obtain necessary information from the drawing and list referring to the item No. obtained in the parts No. list.



①	②	③
E3019-891-017	53-21	1

- ① PARTS NO.
- ② INDEX NO. (SHEET NO. - ITEM NO.)
- ③ QTY

- ② Return to the general contents top and memorize the group No. to which the sheet No. of the index No. memorized belongs.

~GENERAL CONTENTS~

GROUP NAME	SHEET NO.
1. HEADSTOCK GROUP	1-14
2. Z-AXIS GROUP	31-39
3. X-AXIS GROUP	51-56

1
2
3

~CONTENTS~

SHEET NO.	ASSEMBLY NAME	PAGE
NO. 051	UPPER X-AXIS BALL-SCREW	52-53
NO. 052	UPPER X-AXIS DRIVE DEVICE	54-55
NO. 053	UPPER CROSS-SLIDE INSTALLATION	56-57

3

①	②	③	④	⑤
53-21	E3019-891-017	LIMIT-SWITCH, YAMATAKE	A615-0205	1

- ① INDEX NO. (SHEET NO. - ITEM NO.)
- ② PARTS NO.
- ③ DESCRIPTION
- ④ UNIT NO.
- ⑤ QTY

PARTS BOOK

LNC8 CNC PRECISION LATHE

1. HEADSTOCK GROUP

SHEET NO.	ASSEMBLY NAME	PAGE
(1)	SPINDLE DRIVE ASSEMBLY (1).....	10
(2)	SPINDLE DRIVE ASSEMBLY (2).....	12
(3)	MAIN SPINDLE ASSEMBLY MODEL (1).....	14
(4)	MAIN SPINDLE ASSEMBLY MODEL (2).....	16
(7)	SPINDLE SPEED CHANGE GEAR SHIFTER MODEL (6)	18
(9)	HEADSTOCK LUBRICATION TANK.....	20
(10)	HEADSTOCK LUBRICATION PIPING	22
(11)	HYDRAULIC POWER CHUCK AND CYLINDER	24
(12)	HYDRAULIC HOLLOW CHUCK AND CYLINDER MODEL	26

2. BALL-SCREW GROUP

SHEET NO.	ASSEMBLY NAME	PAGE
(21)	BED AND BASE	32
(22)	Z-AXIS BALL-SCREW	34
(23)	Z-AXIS DRIVE UNIT	36
(24)	SADDLE INSTALLATION	38
(25)	X-AXIS BALL-SCREW	40
(26)	X-AXIS DRIVE UNIT (1)	42
(27)	X-AXIS DRIVE UNIT (2)	44
(28)	CROSS-SLIDE INSTALLATION	46

3. INDEX GROUP

SHEET NO.	ASSEMBLY NAME	PAGE
(41)	INDEX UNIT (1).....	52
(42)	INDEX UNIT (2).....	54
(43)	INDEX UNIT (3).....	56
(44)	INDEX UNIT (4).....	58
(45)	INDEX UNIT (5).....	60
(46)	INDEX INSTALLATION AND STROKE SWITCH	62
(47)	VDI TURRET SYSTEM	64
(48)	TOOLING SYSTEM (I).....	66

4. TAILSTOCK GROUP

SHEET NO.	ASSEMBLY NAME	PAGE
(51)	TAILSTOCK INSTALLATION	72
(53)	TAILSTOCK QUILL	74

5. COVER GROUP

SHEET NO.	ASSEMBLY NAME	PAGE
(71)	FRONT DOOR	78
(72)	COVERS (1)	80
(73)	COVERS (2) (TAILSTOCK)	82
(74)	COVERS (3)	84
(75)	COVERS (4)	86
(76)	SADDLE COVERS	88
(77)	BACK COVERS	90
(78)	MOTOR COVERS	92

6. SYSTEM UNIT GROUP

SHEET NO.	ASSEMBLY NAME	PAGE
(81)	CHIP PAN / CHIP CONVEYOR	98
(82)	CHUCK AND TAILSTOCK PEDALS	100

7. PIPING GROUP

SHEET NO.	ASSEMBLY NAME	PAGE
(91)	HYDRAULIC PIPING	104
(92)	COOLANT PIPING	106
(93)	LUBRICATION PIPING (1)	108
(94)	LUBRICATION PIPING (2)	110

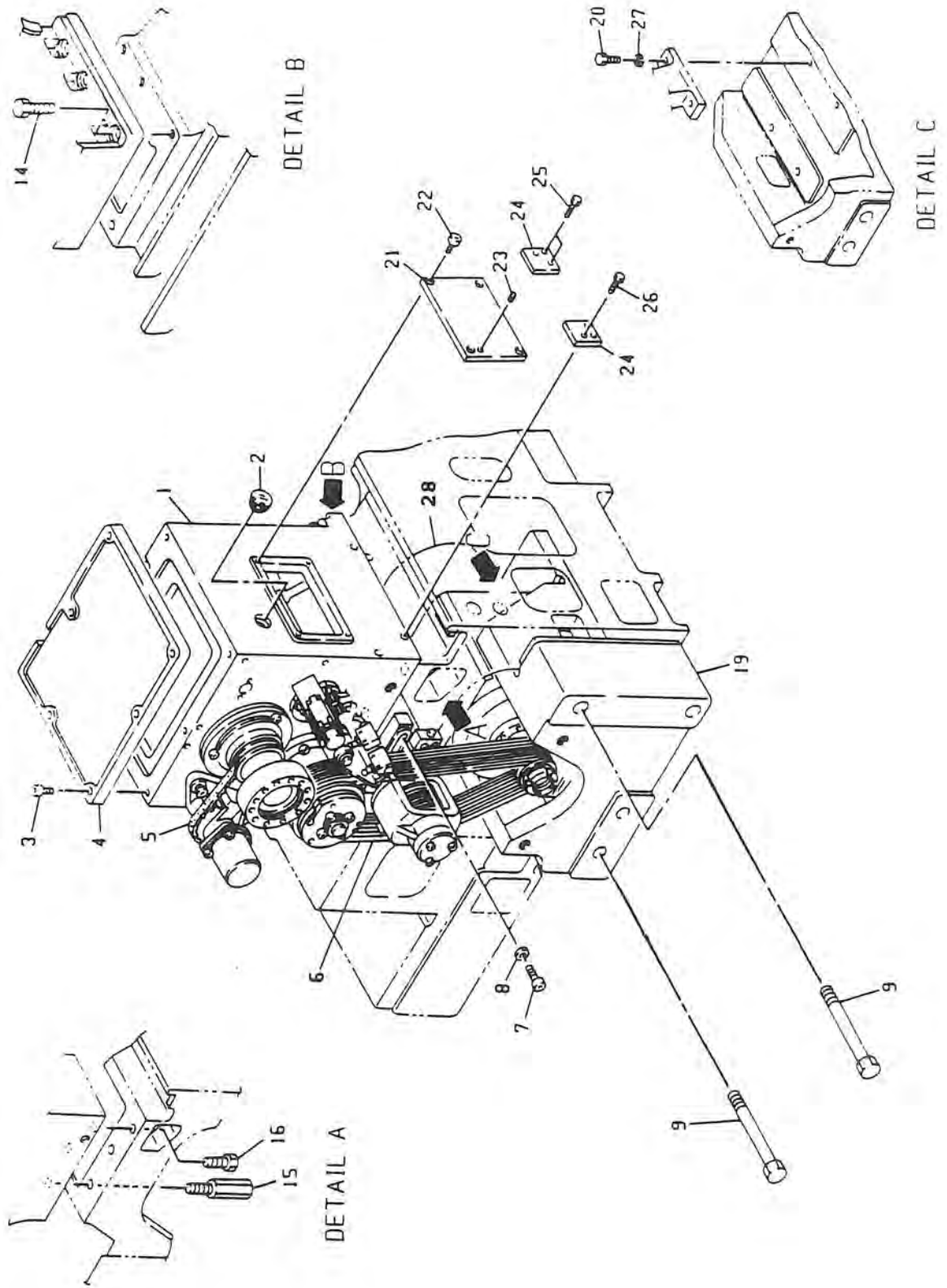
CONTENTS
LNC8

1. HEADSTOCK GROUP

SHEET NO.	ASSEMBLY NAME	PAGE
(1)	SPINDLE DRIVE ASSEMBLY (1).....	10
(2)	SPINDLE DRIVE ASSEMBLY (2).....	12
(3)	MAIN SPINDLE ASSEMBLY MODEL (1).....	14
(4)	MAIN SPINDLE ASSEMBLY MODEL (2).....	16
(7)	SPINDLE SPEED CHANGE GEAR SHIFTER MODEL (6)	18
(9)	HEADSTOCK LUBRICATION TANK.....	20
(10)	HEADSTOCK LUBRICATION PIPING	22
(11)	HYDRAULIC POWER CHUCK AND CYLINDER	24
(12)	HYDRAULIC HOLLOW CHUCK AND CYLINDER MODEL	26



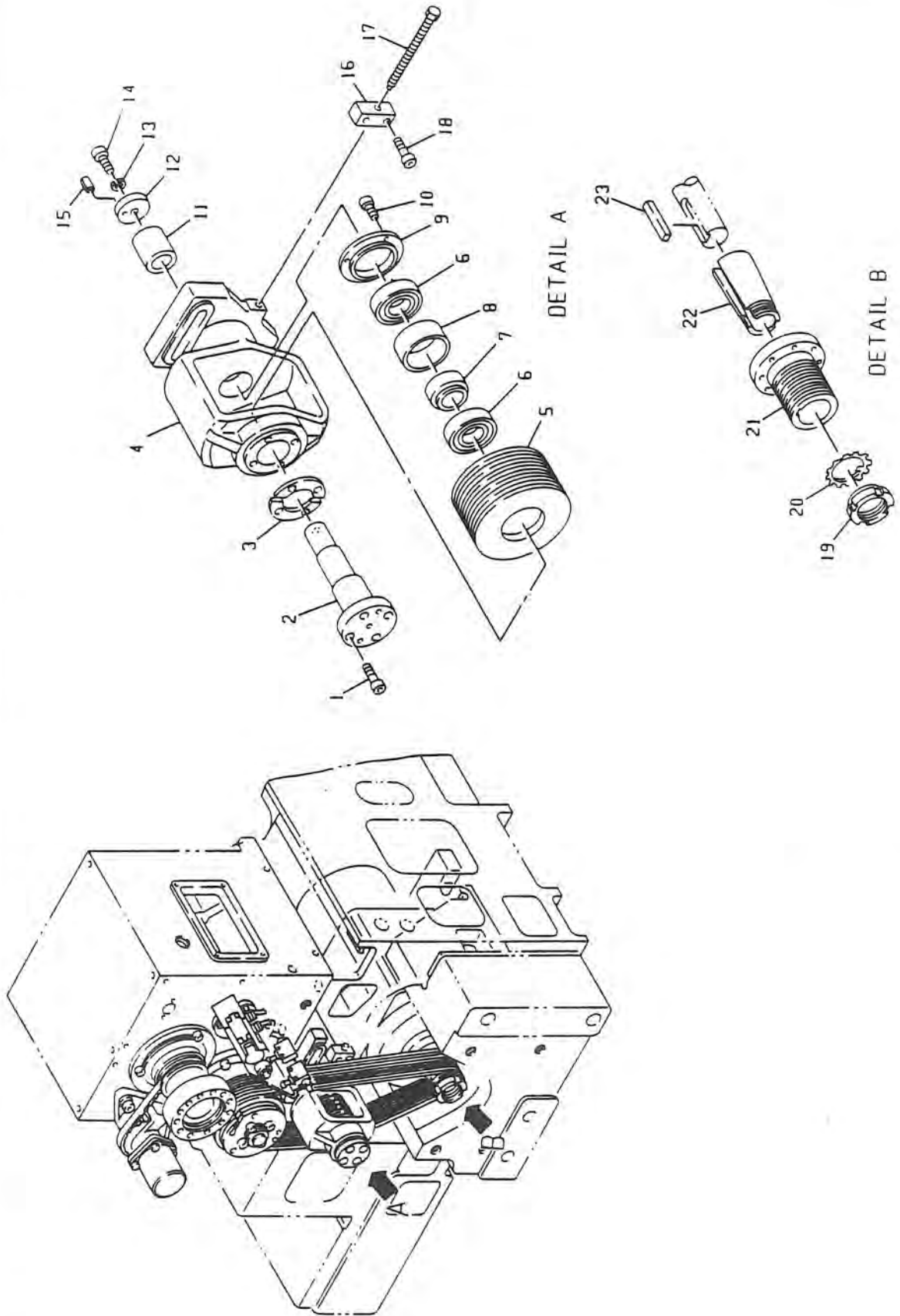
SHEET NO. 1 SPINDLE DRIVE ASSEMBLY (1)



INDEX NO.	PART NO.	DESCRIPTION	UNIT NO.	QTY	INDEX NO.	PART NO.	DESCRIPTION	UNIT NO.	QTY
1-1	118-1000-15-4	HEADSTOCK	A118-1009	1					
1-2	H0039-0002-14	WINDOW, oil	A118-1009	1					
1-3	C5010-120351	BOLT, socket-head 12x35	A118-1009	6					
1-4	118-1000-11-6	COVER	A118-1009	1					
1-5	M1131-05255	BELT 255L050 (STD)	A118-1300	1					
1-6	M119-0012-76	V-BELT BANDO 12PK 1445	A118-1531	1					
1-7	C5010-120501	BOLT, socket-head 12x50	A118-1510	2					
1-8	C5140-000121	WASHER, polished 12	A118-1510	2					
1-9	D5000-242201	BOLT 24x220	A118-0103	4					
1-14	C5000-240801	BOLT 24x80	A118-1009	3					
1-15	118-0000-04	BOLT 24x70	A118X-0009	2					
1-16	C5000-240751	BOLT 24x75	A118X-0009	2					
1-19	118-0100-29-9	BASE, motor MODEL 6	A118-0103	1					
1-20	C5000-100301	BOLT 10x30	A118-0103	4					
1-20	C5000-120401	BOLT 12x40	A118-0102	4					
1-21	127-0100-03-2	CAP	A118-1009	1					
1-22	C5010-080161	BOLT, socket-head 8x16	A118-1009	4					
1-23	C5030-008081	SET-SCREW, flat-point 8x8	A118-1009	1					
1-24	118-1000-09-1	PLATE	A118-1009	2					
1-25	C5000-120351	BOLT, hex-head 12x35	A118-1009	4					
1-26	C5000-120301	BOLT, hex-head 12x30	A118-1009	2					
1-27	C5160-000101	WASHER, spring 10	A118-0103	4					
1-28	E1004-288-013	MOTOR, AC spindle OKUMA MODEL VAC-MML 7.5/5.5KW	A118-1256	1					

OKUMA MACHINE TOOLS, INC.

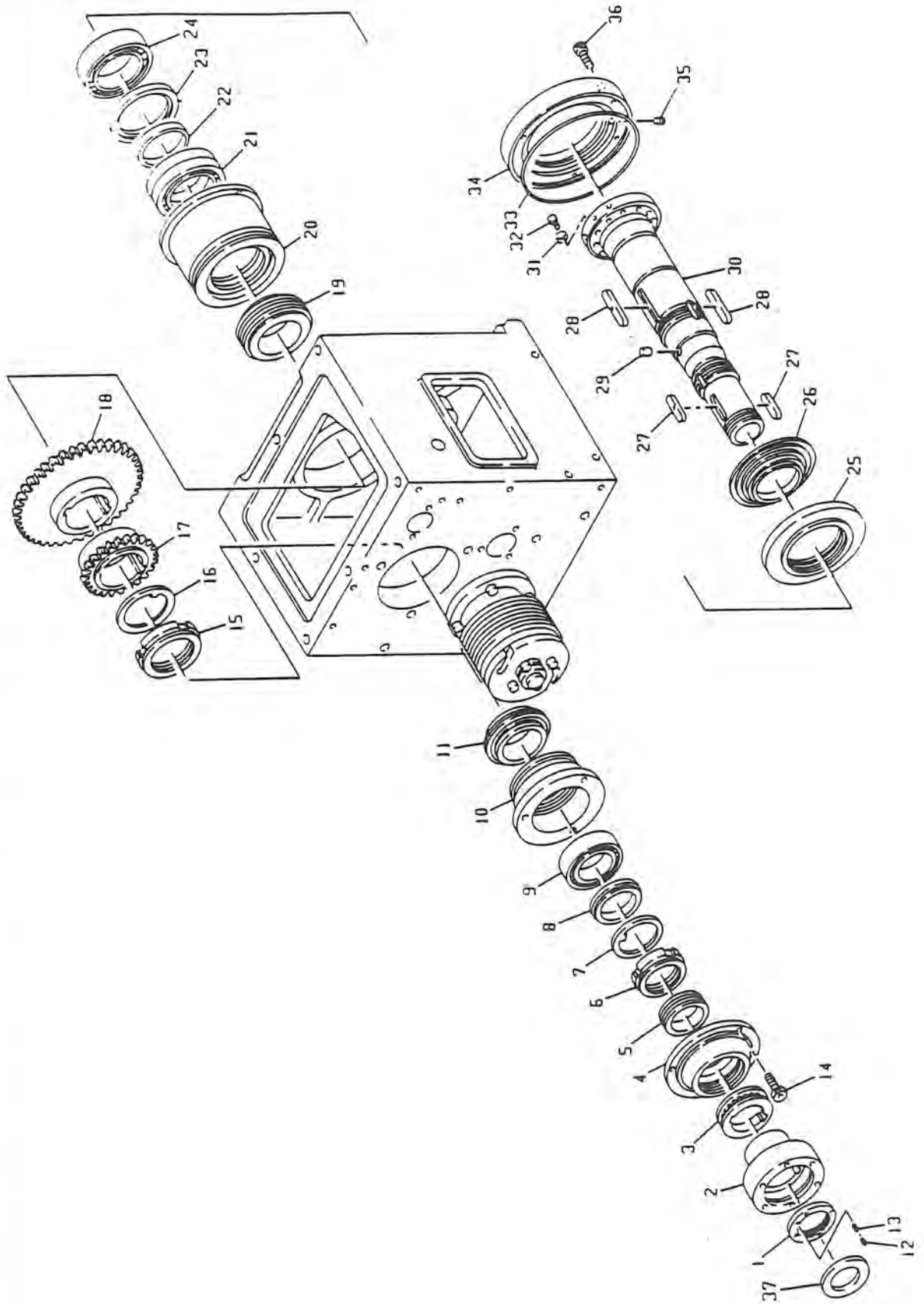
SHEET NO. 2 SPINDLE DRIVE ASSEMBLY (2)



INDEX NO.	PART NO.	DESCRIPTION	UNIT NO.	QTY	INDEX NO.	PART NO.	DESCRIPTION	UNIT NO.	QTY
2-1	C5010-060221	BOLT, socket-head 6x22	A118-1527	4					
2-2	118-0300-22-3	SHAFT	A118-1527	1					
2-3	118-0300-36	COLLAR	A118-1527	1					
2-4	118-0300-43	BRACKET	A118-1527	1					
2-5	118-1502-25-01	PULLEY MODEL 4200	A118-1524	1					
2-6	M009-0017-65-1	BEARING NSK 6206	A118-1527	2					
2-7	118-0300-29-1	COLLAR	A118-1527	1					
2-8	118-0300-28-1	COLLAR	A118-1527	1					
2-9	118-0300-30-1	HOLDER	A118-1527	1					
2-10	C5010-050121	BOLT, socket-head 5x12	A118-1527	4					
2-11	118-0300-23-1	COLLAR	A118-1527	1					
2-12	118-0300-35	WASHER	A118-1527	1					
2-13	C5160-000101	WASHER, spring 10	A118-1527	1					
2-14	C5010-100301	BOLT, socket-head 10x30	A118-1527	1					
2-15	C5211-040160	PIN, spring, 4x16	A118-1527	1					
2-16	K118-1527-01-00	SUPPORT	A118-1527	1					
2-17	118-0300-44	BOLT	A118-1527	1					
2-18	C5010-080301	BOLT, socket-head 8x30	A118-1527	2					
2-19	C5132-000401	NUT, bearing 40 MODEL 6	A118-1524	1					
2-20	C5152-000400	WASHER, Lock 40 MODEL 6	A118-1524	1					
2-21	118-1502-24-02	PULLEY MODEL 4200	A118-1524	1					
2-22	118-1500-50-2	SLEEVE MODEL 6	A118-1524	1					
2-23	118-1500-51-3	KEY MODEL 6	A118-1524	1					

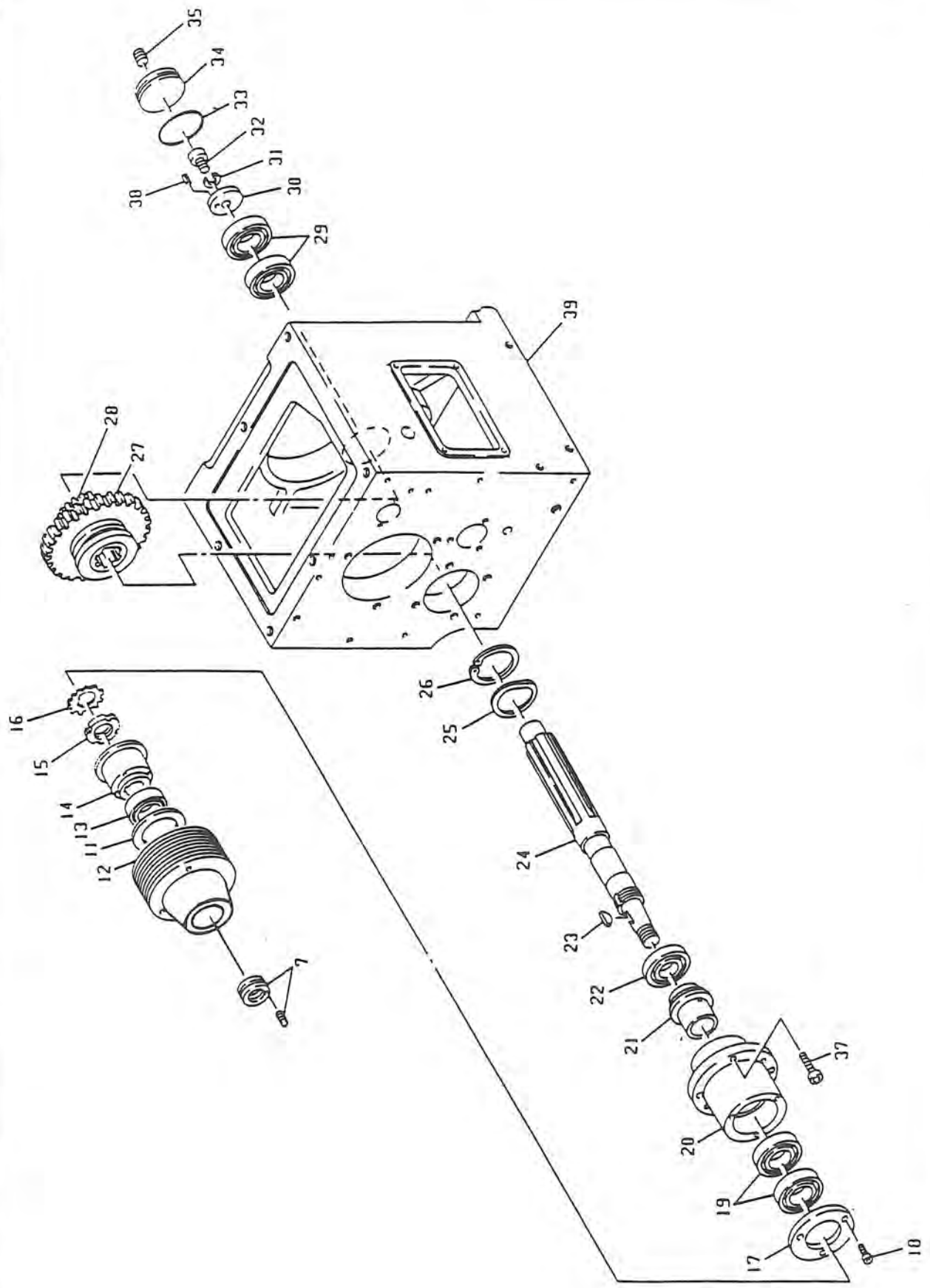
OKUMA MACHINE TOOLS, INC.

SHEET NO. 3 MAIN SPINDLE ASSEMBLY MODEL (1)



INDEX NO.	PART NO.	DESCRIPTION	UNIT NO.	QTY	INDEX NO.	PART NO.	DESCRIPTION	UNIT NO.	QTY
3-1	123-3111-29-1	NUT	A118-1103	1					
3-2	118-1100-28	FLANGE	A118X-1202	1					
3-3	123-7110-05-1	PULLEY, scynchro	A118-1300	1					
3-4	127-0110-08-3	CAP	A118-1103	1					
3-5	127-0110-09-3	COLLAR	A118-1103	1					
3-6	C5131-000851	NUT, bearing 85	A118-1150	1					
3-7	C5153-000850	WASHER, Lock 85	A118-1150	1					
3-8	123-3111-27	COLLAR	A118-1103	1					
3-9	M009-0016-81	BEARING	A118-1150	1					
3-10	127-0110-07-3	HOUSING	A118-1103	1					
3-11	127-0110-10	LABYRINTH	A118-1103	1					
3-12	C5030-006081	SET-SCREW, flat-point 6x8	A118-1103	1					
3-13	C5031-006101	SET-SCREW, slotted, dog point	A118-1103	1					
3-14	C5010-120451	BOLT, socket-head 12x45	A118-1103	3					
3-15	C5131-001001	NUT, bearing 100	A118-1150	1					
3-16	C5153-001000	WASHER, Lock 100	A118-1150	1					
3-17	118-1200-04-1	GEAR	A118-1202	1					
3-18	118-1200-03-3	GEAR	A118X-1202	1					
3-19	127-0110-55-2	LABYRINTH	A118-1103	1					
3-20	127-0110-51-1	HOUSING	A118-1103	1					
3-21	M009-0019-99	BEARING	A118-1009	1					
3-22	127-0110-56	COLLAR	A118-1103	1					
3-23	127-0110-57-1	COLLAR	A118-1103	1					
3-24	M009-0016-80	BEARING	A118-1150	1					
3-25	118-1100-39-4	LABYRINTH	A118-1103	1					
3-26	118-1100-40-3	LABYRINTH	A118-1103	1					
3-27	118-1200-22	KEY	A118-1103	2					
3-28	C5175-151101	KEY	A118X-1202	2					
3-29	C5211-060120	PIN, spring, W 6x12	A118-1150	1					
3-30	118-1100-01-7	SHAFT	A118-1150	1					
3-31	123-3111-30-1	BLOCK	A118-1103	1					
3-32	C5010-080161	BOLT, socket-head 8x16	A118-1103	1					
3-33	D6101-308500	STRING, rubber 3x850	A118-1009	1					
3-34	118-1000-05-5	COVER	A118-1009	1					
3-35	D5250-080080	PLUG 8X8	A118-1009	1					
3-36	C5010-120501	BOLT, socket-head 12x50	A118-1009	6					
3-37	H1020-1099-63-1	PLATE	A118-1009	1					

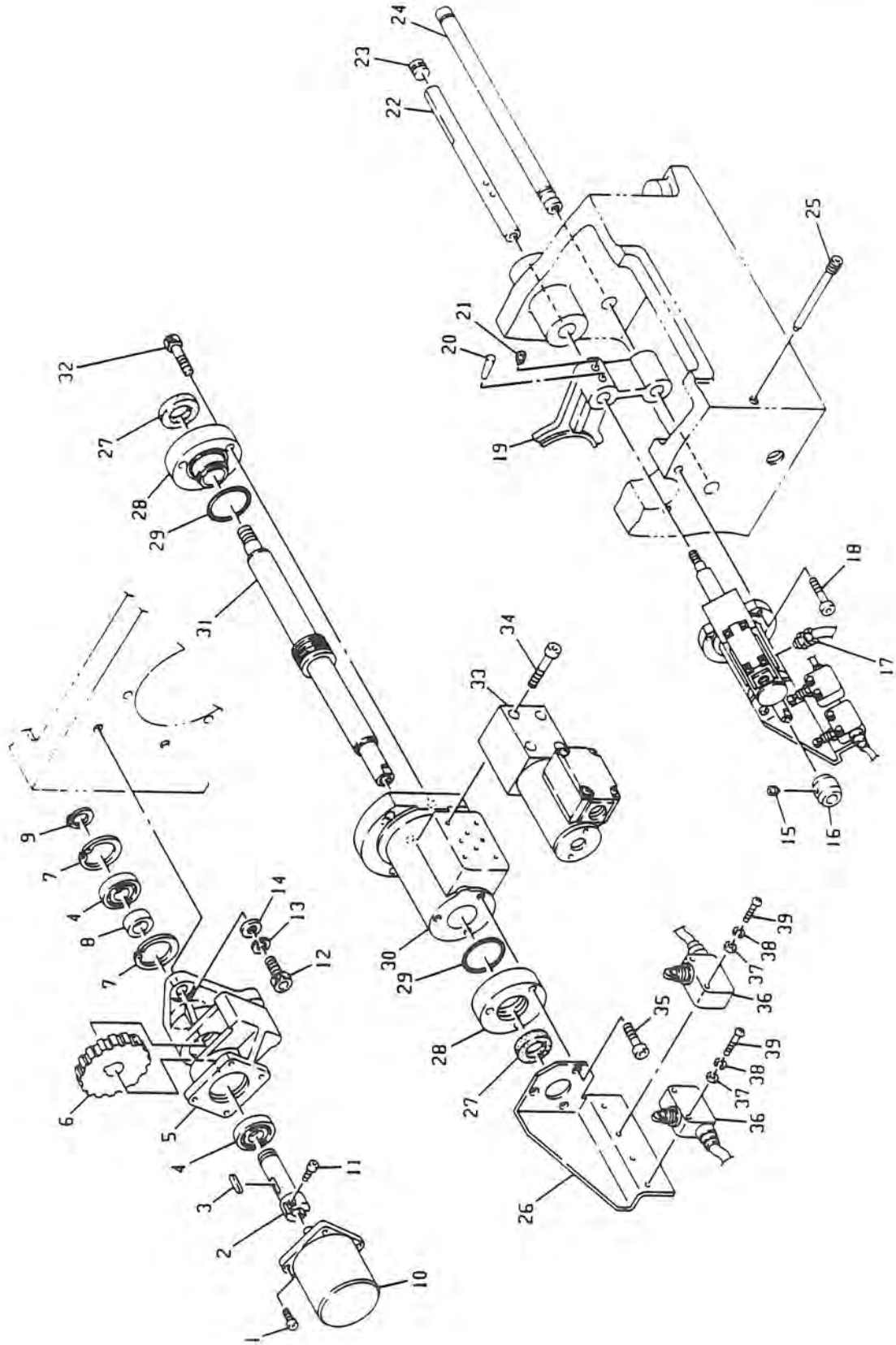
SHEET NO. 4 MAIN SPINDLE ASSEMBLY MODEL (2)



INDEX NO.	PART NO.	DESCRIPTION	UNIT NO.	QTY	INDEX NO.	PART NO.	DESCRIPTION	UNIT NO.	QTY
4-7	H1005-0001-26	NUT, lock SPIETH MSR 30x1.5	A118X-1202	1					
4-11	M001-AS1116	BEARING INA-NTN AS1116	A118-1527	2					
4-12	118-1502-32-03	PULLEY	A118-1524	1					
4-13	M001-NK80/35R	BEARING NTN NK80/35R	A118-1524	1					
4-14	118-1500-55-5	FLANGE	A118-1527	1					
4-15	C5132-000451	NUT, bearing 45	A118X-1202	1					
4-16	C5152-000450	WASHER, Lock 45	A118X-1202	1					
4-17	118-1200-23-1	CAP	A118X-1202	1					
4-18	C5010-060141	BOLT, socket-head 6x14	A118X-1202	3					
4-19	M000-6209LLB	BEARING 6209LLB M45x85x19	A118X-1202	2					
4-20	127-0102-01-7	HOUSING	A118X-1202	1					
4-21	118-1200-30	COLLAR	A118X-1202	1					
4-22	M000-6209Z	BEARING #6209Z	A118X-1202	1					
4-23	C5171-007380	KEY, woodruff 7x38	A118X-1202	1					
4-24	118-1200-24-7	SHAFT	A118X-1202	1					
4-25	H1004-0001-34	WASHER, wave IWATA BW12	A118X-1202	1					
4-26	C5181-000900	SNAP-RING, internal 90	A118X-1202	1					
4-27	118-1200-02-5	GEAR	A118X-1202	1					
4-28	118-1200-19-4	GEAR	A118X-1202	1					
4-29	M000-6209	BEARING #6209	A118X-1202	2					
4-30	137-0111-14-1	WASHER	A118X-1202	1					
4-31	C5160-000101	WASHER, spring 10	A118X-1202	1					
4-32	C5010-010251	BOLT, socket-head 10x25	A118X-1202	1					
4-33	D611-000G80	O-RING G80	A118-1009	1					
4-34	127-0100-04-2	COVER, blind	A118-1009	1					
4-35	C5030-008101	SET-SCREW, flat-point 8x10	A118-1009	1					
4-36	D6110-000G85	O-RING G85	A118-1527	1					
4-37	C5010-120401	BOLT, socket-head 12x40	A118-1202	4					
4-38	D5211-040100	PIN, spring, W 4x10	A118-1202	1					
4-39	118-1000-15-4	HEADSTOCK	A118-1009	1					

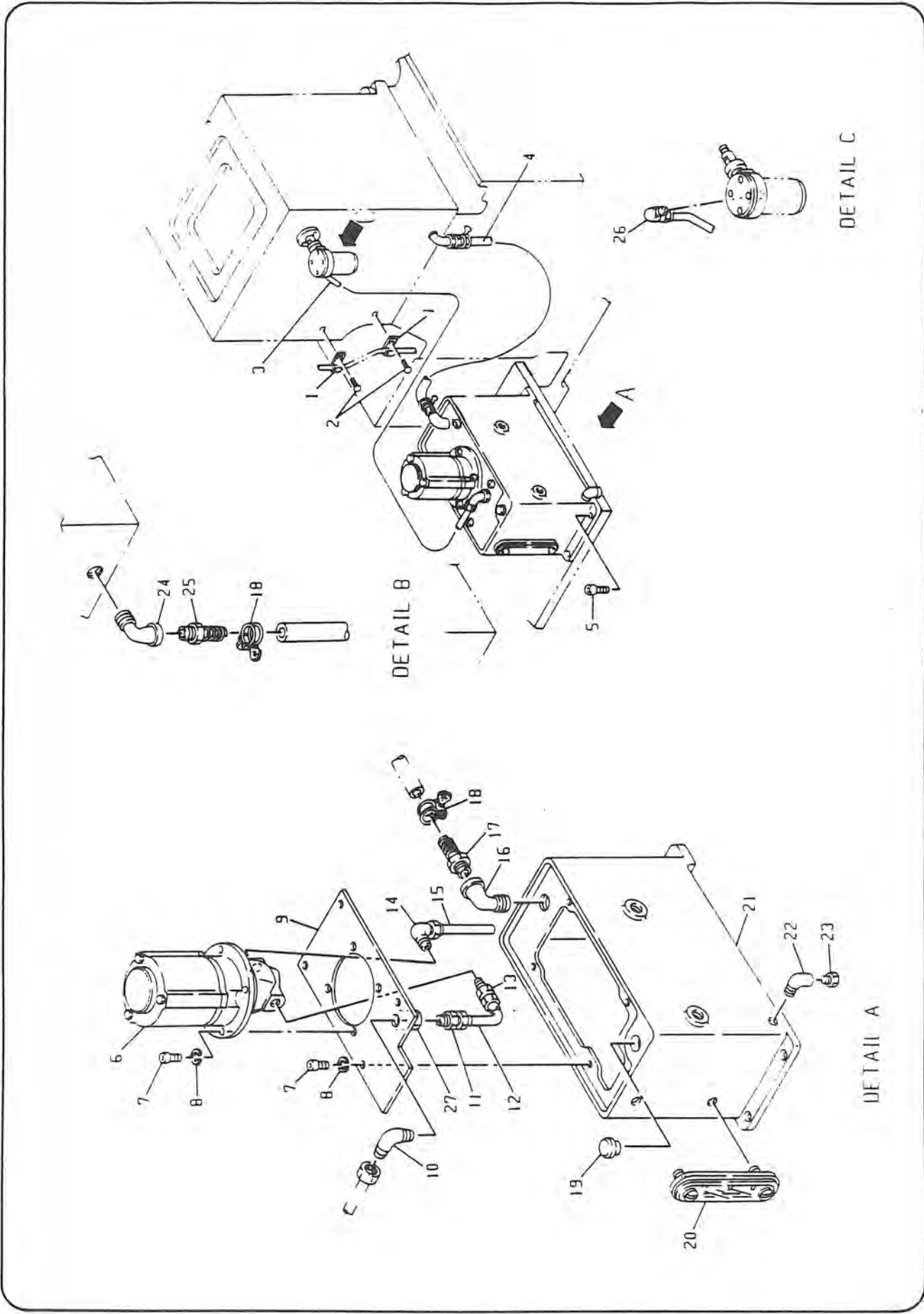
OKUMA MACHINE TOOLS, INC.

SHEET NO. 7 SPINDLE SPEED CHANGE GEAR SHIFTER MODEL (6)



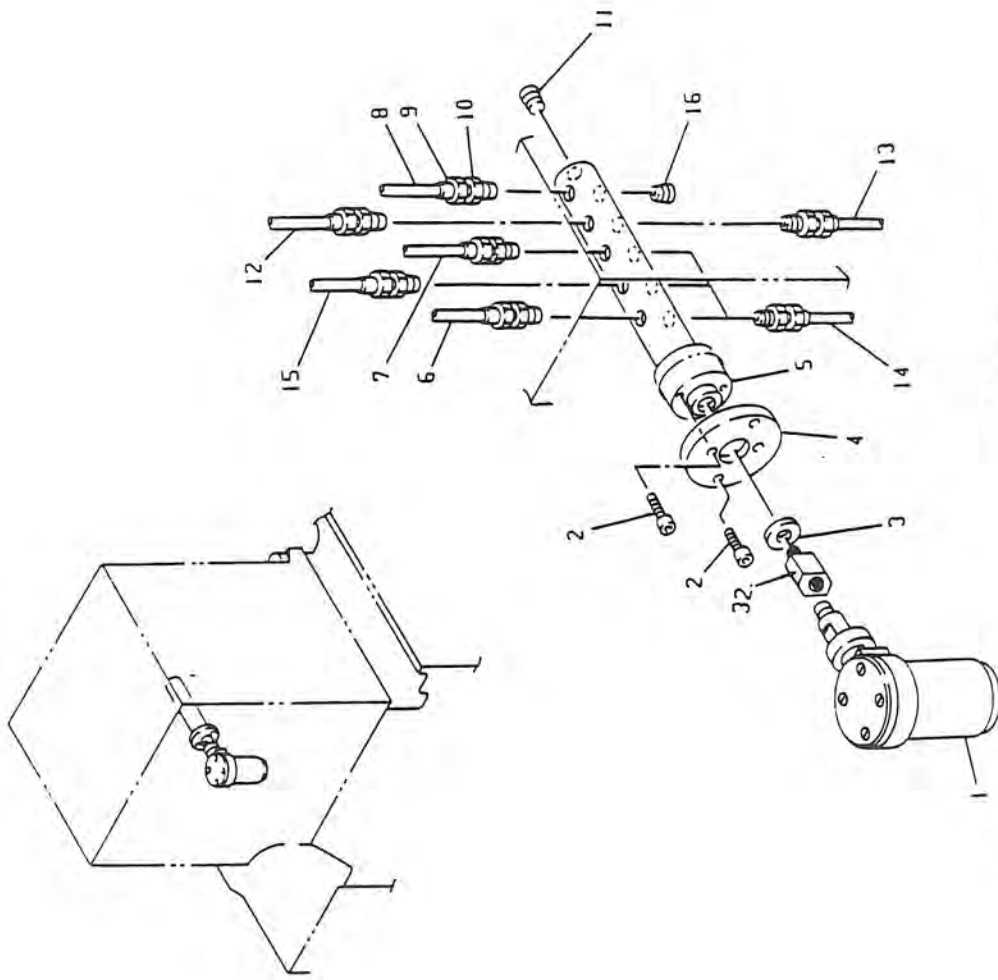
INDEX NO.	PART NO.	DESCRIPTION	UNIT NO.	QTY	INDEX NO.	PART NO.	DESCRIPTION	UNIT NO.	QTY
7-1	C5010-050141	BOLT, socket-head 5x14	A118-1300	4	7-36	E3019-891-017	LIMIT-SWITCH	A118X-1202	2
7-2	118-1300-03-4	SHAFT	A118-1300	1	7-37	C5140-000041	SLI-A	A118X-1202	4
7-3	C5170-050250	KEY, feather 5x5x25	A118-1300	1	7-38	C5160-000041	WASHER, polished 4	A118X-1202	4
7-4	M000-6204ZZP6	BEARING 6204ZZP6	A118-1300	2	7-39	C5040-004251	WASHER, spring 4	A118X-1202	4
7-5	118-1300-09-2	BRACKET	A118-1300	2			SCREW, pan-head 4x25		
7-6	118-1300-08-2	PULLEY, scynchro	A118-1300	1					
7-7	C5181-000470	SNAP-RING, internal 47	A118-1300	2					
7-8	118-1300-10	COLLAR	A118-1300	1					
7-9	C5180-000200	SNAP-RING, external 20	A118-1300	1					
7-10	X	OPTCODER		1					
7-11	C5010-050141	BOLT, socket-head 5x14	A118-1300	2					
7-12	C5010-120401	BOLT, socket-head 12x40	A118-1300	2					
7-13	C5160-000121	WASHER, spring 12	A118-1300	2					
7-14	C5140-000121	WASHER, polished 12	A118-1300	2					
7-15	C5030-006081	SET-SCREW, flat-point 6x8	A118X-1202	1					
7-16	147-0113-12	DOG	A118X-1202	1					
7-17	H0010-0002-17	CONNECTOR, male	A118X-1202	2					
7-18	C5010-080251	BOLT, socket-head 8x25	A118X-1202	3					
7-19	118-1200-21-1	SHIFTER	A118X-1202	1					
7-20	C0201-060361	ITP 6x36	A118X-1202	1					
7-21	C5034-008101	SET-SCREW, cup-point 8x10	A118X-1202	1					
7-22	118-1200-17	SHAFT	A118X-1202	1					
7-23	C0500-000201	PLUG 20	A118-1009	1					
7-24	118-1200-06	SHAFT	A118X-1202	1					
7-25	118-1200-14-1	BOLT	A118X-1202	1					
7-26	118-1205-03	SUPPORT	A118X-1202	1					
7-27	H0031-0009-26	PACKING USH20285	A118X-1202	2					
7-28	128-0112-04-1	CAP	A118X-1202	2					
7-29	D6110-000G35	O-RING G35	A118X-1202	2					
7-30	118-1200-20-2	CYLINDER	A118X-1202	1					
7-31	118-1200-18-3	SHAFT	A118X-1202	1					
7-32	C5010-060301	BOLT, socket-head 6x30	A118X-1202	3					
7-33	KF0-0047-02	VALVE, solenoid PARKER	A118X-1202	1					
7-34	C5010-050451	DIVWIAJW	A118X-1202	4					
7-35	C5010-060301	BOLT, socket-head 6x30	A118X-1202	3					

SHEET NO. 9 HEADSTOCK LUBRICATION TANK



INDEX NO.	PART NO.	DESCRIPTION	UNIT NO.	QTY	INDEX NO.	PART NO.	DESCRIPTION	UNIT NO.	QTY
9-1	127-0100-10	PIPE HOLDER	A118X-1202	2					
9-2	C5040-005081	SCREW, pan-head 5x8	A118X-1202	2					
9-3	F1234-1500-0	TUBE, synflex	A118X-1202	1					
9-4	D7793-250600	HOSE, vinyl	A118X-1006	1					
9-4	D7793-250600	HOSE, vinyl	A118-1009	1					
9-5	C5010-080251	BOLT, socket-head 8x25	A118-1400	4					
9-6	F019-0001-22	PUMP, trochoid NOP TOPIME	A118-1400	1					
9-6	F0101-10-000-54	PUMP, trochoid NOP TOPIME	A118-1400	1					
9-7	C5010-060101	BOLT, socket-head 6x10	A118-1400	8					
9-8	C5160-000061	WASHER, spring 6	A118-1400	8					
9-9	118-1400-05-2	CAP A118-1400 1							
9-10	H0010-0000-17	ELBOW, male NITTA LIM-3/8-PT1/4	A118-1400	1					
9-11	D2781-000812	JOINT, pipe NTN PA-8-PT1/4	A118-1400	1					
9-12	D7781-080150	PIPE, steel 8x150	A118-1400	1					
9-13	D2781-000802	JOINT, pipe A-8-PT1/8	A118-1400	1					
9-14	D2781-020802	JOINT, pipe BL-8-PT1/8	A118-1400	1					
9-15	D7781-080120	PIPE, steel 8x120	A118-1400	1					
9-16	C7812-000442	M ELBOW, street 3/4	A118-1400	1					
9-17	D7872-002542	JOINT, hose 3/4(25)	A118-1400	1					
9-18	D2765-000351	CLAMP, wire	A118X-1006	2					
9-18	D2765-000351	CLAMP, wire	A118-1009	2					
9-19	H0039-0001-28	PLUG, oil KYOWA KRM-B25	A118-1400	1					
9-20	H0039-0000-77	GAUGE, oil KL-150	A118-1400	1					
9-21	118-1400-04-3	TANK, lubrication	A118-1400	1					
9-22	C7812-000222	M ELBOW, street 3/8	A118-1400	1					
9-23	C7850-000022	M PLUG 3/8	A118-1400	1					
9-24	C7812-000442	M ELBOW, street 3/4	A118X-1006	1					
9-24	C7812-000442	M ELBOW, street 3/4	A118-1009	1					
9-25	D7872-002542	JOINT, hose 3/4(25)	A118X-1006	1					
9-25	D7872-002542	JOINT, hose 3/4(25)	A118-1009	1					
9-26	H0010-0000-17	ELBOW, male NITTA LIM-3/8-PT1/4	A118X-1006	1					
9-26	H0010-0000-17	ELBOW, male NITTA LIM-3/8-PT1/4	A118-1009	1					
9-27	H0010-0013-36	SOCKET 1/4	A118-1400	1					

SHEET NO. 10 HEADSTOCK LUBRICATION PIPING

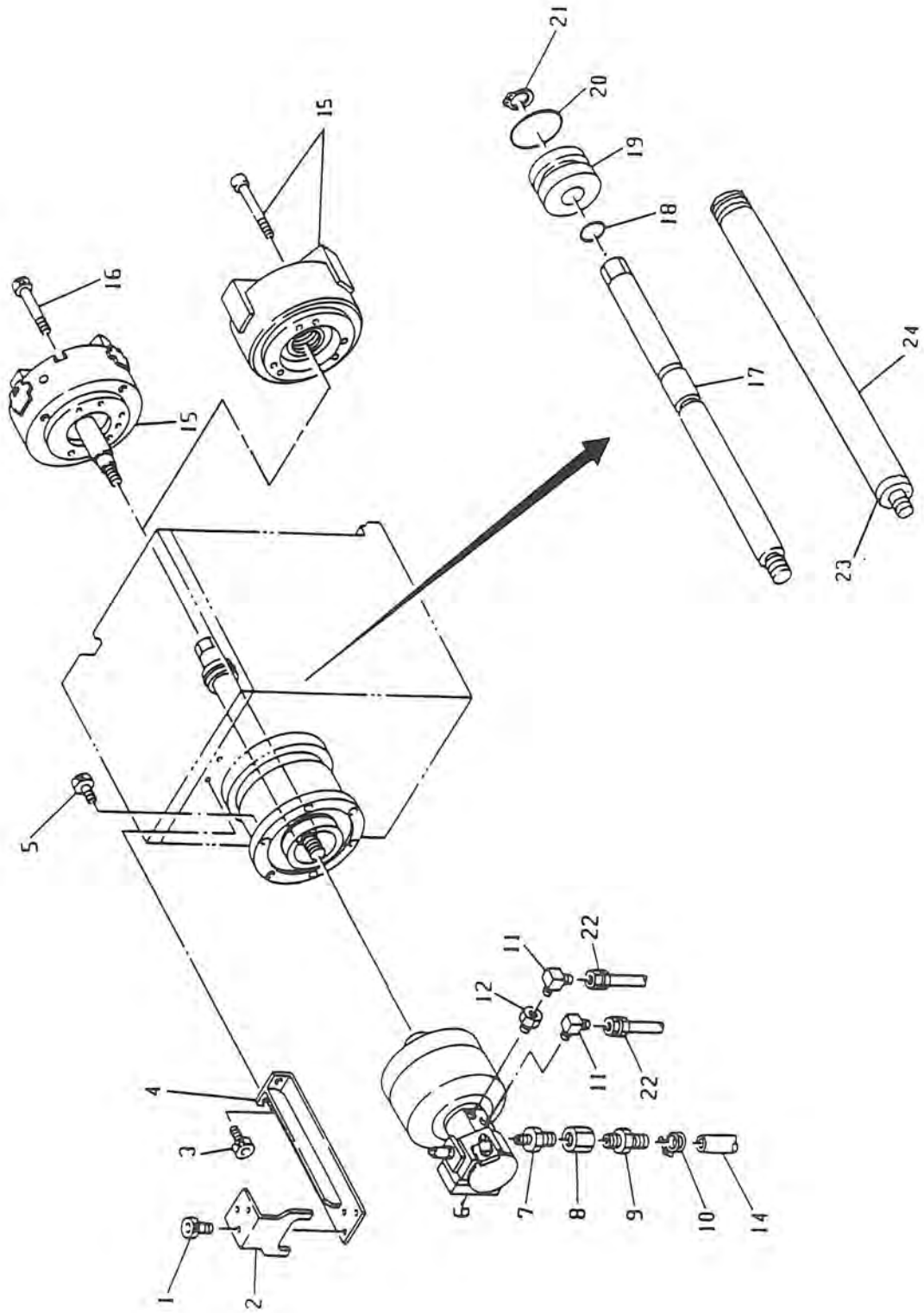


(STANDARD)

INDEX NO.	PART NO.	DESCRIPTION	UNIT NO.	QTY	INDEX NO.	PART NO.	DESCRIPTION	UNIT NO.	QTY
10-1	H0032-11161-03	FILTER UNIT SHOKETSU	A118X-1202	1					
10-2	C5010-050161	BOLT, socket-head 5x16	A118X-1202	4					
10-3	H0031-0161-07	PACKING	A118X-1202	1					
10-4	127-0100-17	FLANGE	A118X-1202	1					
10-5	118-1400-16	JOINT	A118X-1202	1					
10-6	D7780-205800	COPPER PIPE F 5x580	A118X-1202	2					
10-7	D7780-205000	COPPER PIPE 5x500	A118X-1202	1					
10-8	D7780-207100	COPPER PIPE F 5x710	A118X-1202	2					
10-9	C7770-000022	NUT 5	A118X-1202	10					
10-10	C7720-000222	F-NIPPLE 5TS	A118X-1202	10					
10-11	C7861-000012	PLUG, socket-head 1/4	A118X-1202	1					
10-12	D7780-208500	COPPER PIPE 5x850	A118X-1202	1					
10-13	D7780-202900	COPPER PIPE F 5x290	A118X-1202	2					
10-14	D7780-202500	COPPER PIPE 5x250	A118X-1202	1					
10-15	D7780-206000	COPPER PIPE 5x600	A118X-1202	1					
10-16	C7861-000002	PLUG, socket-head 1/8	A118X-1202	11					

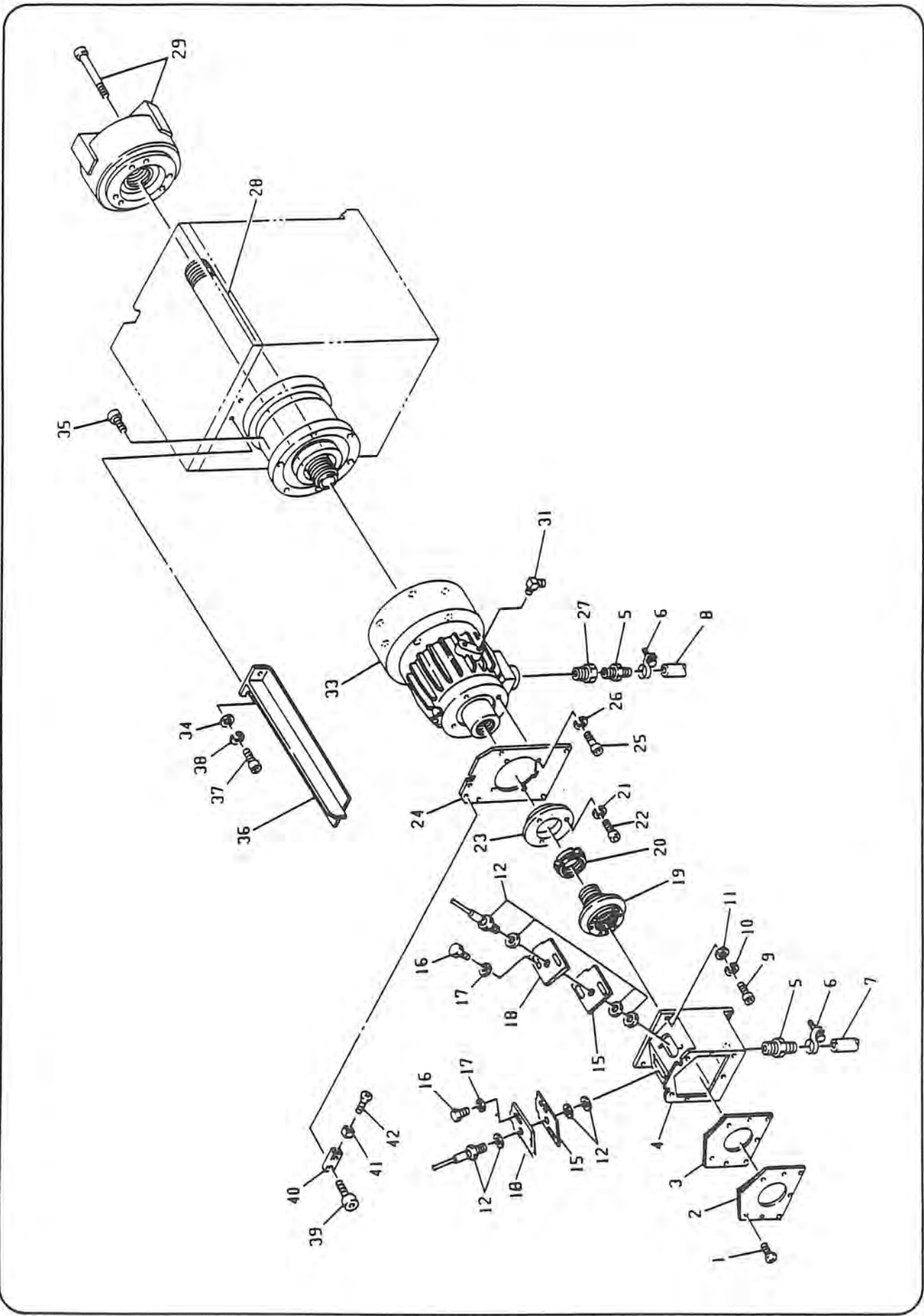
OKUMA MACHINE TOOLS, INC.

SHEET NO. 11 HYDRAULIC POWER CHUCK AND CYLINDER



INDEX NO.	PART NO.	DESCRIPTION	UNIT NO.	QTY	INDEX NO.	PART NO.	DESCRIPTION	UNIT NO.	QTY
11-1	C5010-080161	BOLT, socket-head 8x16	A118-8152	3					
11-2	118-8108-56	SUPPORT	A118-8152	1					
11-3	C5010-080161	BOLT, socket-head 8x16	A118-8152	2					
11-4	118-8108-55	SUPPORT	A118-8152	1					
11-5	C5010-120651	BOLT, socket-head 12x65	A118-1009	6					
11-6	H0001-0004-26	CYLINDER Y1225RE	A118-8914	1					
11-7	C7800-000412	KITAGAWA M-NIPPLE 3/4x1/4	A118X-8100	1					
11-8	C7805-000442	M SOCKET 3/4	A118X-8100	1					
11-9	D7872-002542	JOINT, hose 3/4	A118X-8100	2					
11-10	D2765-000351	CLAMP, wire 35 SUGITA AK-1035	A118X-8100	2					
11-11	D7870-020022	ELBOW, hose joint 3/8	A118X-8100	2					
11-12	H0010-0013-31	YOKOHAMA SOCKET SANWA 3/8x3/8	A118X-8100	1					
11-14	D7792-252700	HOSE, vinyl 25x2700	A118X-8100	1					
11-15	T009-200-005-06	CHUCK, hydraulic N-108A0601, solid	A515-3070	1					
11-15	T009-200-005-13	CHUCK, Hydraulic B-08A0601A, Hollow	A118-8904	1					
11-16	X	BOLT, socket-head 1/2-13UNC		6					
11-17	118-8108-54	SHAFT	A118X-8155	1					
11-18	D6110-000P29	O-RING P29	A118X-8155	1					
11-19	118-8100-03	COLLAR	A118X-8155	1					
11-20	D6110-000P50	O-RING P50	A118X-8155	1					
11-21	C5180-000350	SNAP-RING, external	A118X-8155	1					
11-22	KF0-0298-01	HOSE, PARKER F421FUFU0606-126.0	A118X-2150	2					
11-23	118-8109-07-1	COLLAR (for hollow chuck)		1					
11-24	118-8100-45-2	DRAW TUBE (for hollow chuck)		1					

SHEET NO. 12 HYDRAULIC HOLLOW CHUCK AND CYLINDER MODEL



INDEX NO.	PART NO.	DESCRIPTION	UNIT NO.	QTY	INDEX NO.	PART NO.	DESCRIPTION	UNIT NO.	QTY
12-1	C5040-005081	SCREW, pan-head 5x8	A118X-8252	7	12-41	H1020-1098-30	PLATE	A118X-8252	1
12-2	K118-8000-06-00	CAP	A118X-8252	1	12-42	C5035-005101	SCREW, flat-head 5X10	A118X-8252	1
12-3	KM1-0301-00	PLATE 145x160x1	A118X-8252	1					
12-4	K118-8000-05-00	BOX	A118X-8252	1					
12-5	D7872-002542	JOINT, hose	A118X-8250	3					
12-6	D2765-000351	CLAMP, wire	A118X-8250	3					
12-7	D7793-251500	HOSE, vinyl	A118X-8250	1					
12-8	D7793-252700	HOSE, vinyl	A118X-8252	1					
12-9	C5010-060161	BOLT, socket-head 6x16	A118X-8252	4					
12-10	C5160-000061	WASHER, spring 6	A118X-8252	4					
12-11	C5140-000061	WASHER, polished 6	A118X-8252	4					
12-12	E3020-397-102	SENSOR, proximity switch	A118X-8950	2					
12-15	KM1-0302-00	PLATE	A118X-8252	2					
12-16	118-8108-72	BOLT	A118X-8252	4					
12-17	C5140-000061	WASHER, polished 6	A118X-8252	4					
12-18	K118-8000-08-00	BRACKET	A118X-8252	2					
12-19	118-8108-71-1	DOG	A118X-8252	1					
12-20	118-8108-73	NUT	A118X-8252	1					
12-21	C5161-000061	WASHER, spring, for hole 6	A118X-8252	3					
12-22	C5010-060201	BOLT, socket-head 6x20	A118X-8252	3					
12-23	118-8108-65-1	PLATE	A118X-8252	1					
12-24	118-8108-66-3	PLATE	A118X-8252	1					
12-25	C5010-060161	BOLT, socket-head 6x16	A118X-8252	4					
12-26	C5161-000061	WASHER, spring, for hole 6	A118X-8252	4					
12-27	C7846-000542	M-BUSHING	A118X-8250	1					
12-28	118-8108-60	PIPE, steel	A118X-8262	1					
12-29	T009-200-003-13	CHUCK, hydraulic	A118X-8904	1					
12-30	X	BOLT, socket-head 1/2-13UNC		6					
12-31	D7870-020022	ELBOW, hose joint	A118X-8250	2					
12-33	H0001-0003-07	CYLINDER, hydraulic	A118X-8912	1					
12-34	C5140-000081	WASHER, polished 8	A118X-8252	2					
12-35	C5010-120651	BOLT, socket-head 12X65	A118X-1009	6					
12-36	118-8108-61	SUPPORT	A118X-8252	1					
12-37	C5010-080201	BOLT, socket-head 8X20	A118X-8252	2					
12-38	C5160-000081	WASHER, spring 8	A118X-8252	2					
12-39	C5010-050201	BOLT, socket-head 5X20	A118X-8252	1					
12-40	118-8113-16	BLOCK	A118X-8252	1					

OKUMA MACHINE TOOLS, INC.

HEADSTOCK GROUP

PART NO. LIST

Part No.	Index	Qty	Part No.	Index	Qty	Part No.	Index	Qty
118-0000-04	1-15	2	118-1300-10	7-8	1	118-8109-05-2	13-12	1
118-0100-29-9	1-19	1	118-1400-04-3	9-21	1	118-8109-06	13-2	1
118-0300-22-3	2-2	1	118-1400-05-2	9-9		118-8109-07-1	11-23	1
118-0300-23-1	2-11	1	118-1400-16	10-5	1	118-8113-16	13-30	1
118-0300-28-1	2-8	1	118-1500-50-2	2-22	1	118-8113-16	14-46	1
118-0300-29-1	2-7	1	118-1500-51-3	2-23	1	118-8113-16	12-40	1
118-0300-30-1	2-9	1	118-1500-55-5	4-14	1	123-3111-27	3-8	1
118-0300-35	2-12	1	118-1502-24-02	2-21	1	123-3111-29-1	3-1	1
118-0300-36	2-3	1	118-1502-25-01	2-5	1	123-3111-30-1	3-31	1
118-0300-43	2-4	1	118-1502-32-03	4-12	1	123-7110-05-1	3-3	1
118-0300-44	2-17	1	118-8100-03	11-19	1	127-0100-03-2	1-21	1
118-1000-05-5	3-34	1	118-8100-45-2	11-24	1	127-0100-04-2	4-34	1
118-1000-09-1	1-24	2	118-8100-92-4	14-34	1	127-0100-10	9-1	2
118-1000-11-6	1-4	1	118-8100-92-4	13-20	1	127-0100-17	10-4	1
118-1000-15-4	1-1	1	118-8108-54	11-17	1	127-0102-01-7	4-20	1
118-1000-15-4	4-39	1	118-8108-55	11-4	1	127-0110-07-3	3-10	1
118-1100-01-7	3-30	1	118-8108-56	11-2	1	127-0110-08-3	3-4	1
118-1100-28	3-2	1	118-8108-60	12-28	1	127-0110-09-3	3-5	1
118-1100-39-4	3-25	1	118-8108-61	12-36	1	127-0110-10	3-11	1
118-1100-40-3	3-26	1	118-8108-64	13-17	1	127-0110-51-1	3-20	1
118-1200-02-5	4-27	1	118-8108-65-1	12-23	1	127-0110-55-2	3-19	1
118-1200-03-3	3-18	1	118-8108-66-3	12-24	1	127-0110-56	3-22	1
118-1200-04-1	3-17	1	118-8108-71-1	12-19	1	127-0110-57-1	3-23	1
118-1200-06	7-24	1	118-8108-72	12-16	4	128-0112-04-1	7-28	2
118-1200-14-1	7-25	1	118-8108-72	14-16	4	137-0111-14-1	4-30	1
118-1200-17	7-22	1	118-8108-73	12-20	1	147-0113-12	7-16	1
118-1200-18-3	7-31	1	118-8108-92	14-2	1	C0201-060361	7-20	1
118-1200-19-4	4-28	1	118-8108-93-3	14-24	1	C0500-000201	7-23	1
118-1200-20-2	7-30	1	118-8108-94	14-14	2	C5000-100301	1-20	4
118-1200-21-1	7-19	1	118-8108-95-1	14-19	1	C5000-120301	1-26	2
118-1200-22	3-27	2	118-8108-96	14-18	2	C5000-120351	1-25	4
118-1200-23-1	4-17	1	118-8108-98	14-20	1	C5000-120401	1-20	4
118-1200-24-7	4-24	1	118-8109-01-2	14-4	1	C5000-240751	1-16	2
118-1200-30	4-21	1	118-8109-02-1	14-41	1	C5000-240801	1-14	3
118-1205-03	7-26	1	118-8109-03	13-22	1	C5010-010251	4-32	1
118-1300-03-4	7-2	1	118-8109-03-01	14-36	1	C5010-050121	2-10	4
118-1300-08-2	7-6	1	118-8109-04-1	13-9	1	C5010-050141	7-1	4
118-1300-09-2	7-5	2	118-8109-04-1	14-23	1	C5010-050141	7-11	2

HEADSTOCK GROUP

PART NO. LIST

Part No.	Index	Qty	Part No.	Index	Qty	Part No.	Index	Qty
C5010-050161	10-2	4	C5010-120501	3-36	6	C5160-000061	9-8	8
C5010-050201	14-45	2	C5010-120501	1-7	2	C5160-000081	12-38	2
C5010-050201	13-29	2	C5010-120651	11-5	6	C5160-000081	14-38	2
C5010-050201	12-39	1	C5010-120651	12-35	6	C5160-000081	13-24	2
C5010-050451	7-34	4	C5030-006081	3-12	1	C5160-000101	2-13	1
C5010-060101	13-1	4	C5030-006081	7-15	1	C5160-000101	4-31	1
C5010-060101	9-7	8	C5030-008081	1-23	1	C5160-000101	1-27	4
C5010-060141	4-18	3	C5030-008101	4-35	1	C5160-000121	7-13	2
C5010-060141	13-10	4	C5031-006101	3-13	1	C5161-000061	13-11	4
C5010-060161	12-25	4	C5034-008101	7-21	1	C5161-000061	14-22	3
C5010-060161	12-9	4	C5035-005101	12-42	1	C5161-000061	14-26	4
C5010-060161	14-9	4	C5040-004251	7-39	4	C5161-000061	13-8	3
C5010-060161	14-25	4	C5040-005081	9-2	2	C5161-000061	12-21	3
C5010-060201	14-21	3	C5040-005081	12-1	7	C5161-000061	12-26	4
C5010-060201	13-7	3	C5040-005081	14-1	7	C5170-050250	7-3	1
C5010-060201	12-22	3	C5050-005101	13-32	1	C5171-007380	4-23	1
C5010-060221	2-1	4	C5050-005101	14-48	1	C5175-151101	3-28	2
C5010-060301	7-32	3	C5131-000851	3-6	1	C5180-000200	7-9	1
C5010-060301	7-35	3	C5131-001001	3-15	1	C5180-000350	11-21	1
C5010-080161	3-32	1	C5132-000401	2-19	1	C5181-000470	7-7	2
C5010-080161	11-1	3	C5132-000451	4-15	1	C5181-000900	4-26	1
C5010-080161	1-22	4	C5140-000041	7-37	4	C5211-040160	2-15	1
C5010-080161	11-3	2	C5140-000061	14-11	4	C5211-060120	3-29	1
C5010-080201	14-37	2	C5140-000061	14-17	4	C7720-000222	10-10	10
C5010-080201	12-37	2	C5140-000061	12-17	4	C7770-000022	10-9	10
C5010-080201	13-23	2	C5140-000061	12-11	4	C7800-000412	11-7	1
C5010-080251	7-18	3	C5140-000081	12-34	2	C7805-000442	11-8	1
C5010-080251	9-5	4	C5140-000081	13-25	2	C7812-000222	9-22	1
C5010-080301	2-18	2	C5140-000081	14-39	2	C7812-000442	13-4	1
C5010-100301	2-14	1	C5140-000121	7-14	2	C7812-000442	14-44	1
C5010-120351	13-26	6	C5140-000121	1-8	2	C7812-000442	14-5	1
C5010-120351	13-21	6	C5152-000400	2-20	1	C7812-000442	13-3	1
C5010-120351	14-40	6	C5152-000450	4-16	1	C7812-000442	9-24	1
C5010-120351	1-3	6	C5153-000850	3-7	1	C7812-000442	9-24	1
C5010-120351	14-35	6	C5153-001000	3-16	1	C7812-000442	9-16	1
C5010-120401	4-37	4	C5160-000041	7-38	4	C7846-000542	13-15	1
C5010-120401	7-12	2	C5160-000061	14-10	4	C7846-000542	14-27	1
C5010-120451	3-14	3	C5160-000061	12-10	4	C7846-000542	12-27	1

HEADSTOCK GROUP

PART NO. LIST

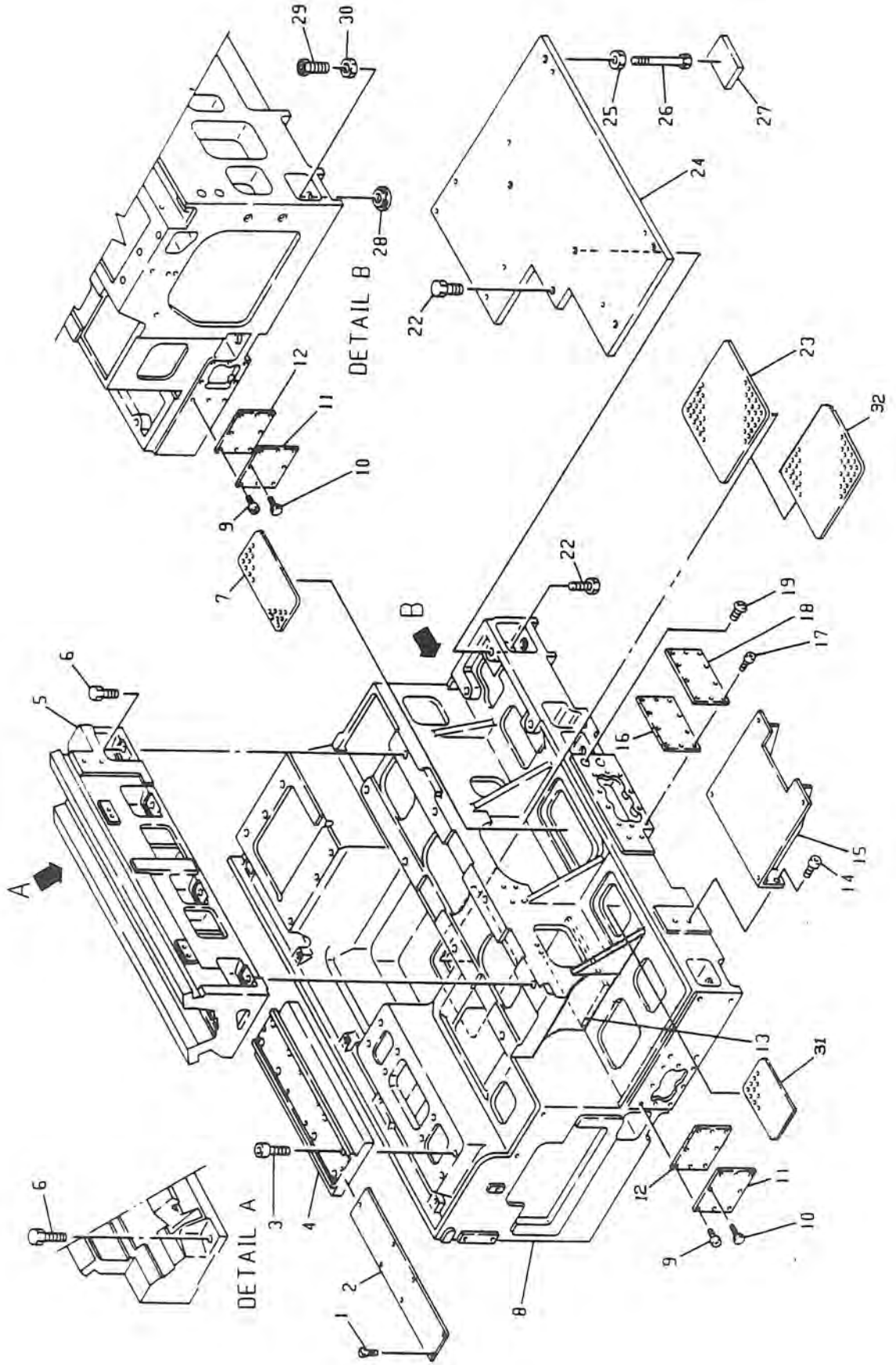
Part No.	Index	Qty	Part No.	Index	Qty	Part No.	Index	Qty
C7850-000022	9-23	1	D7793-252700	14-30	1	H1004-0001-34	4-25	1
C7861-000002	10-16	11	D7793-252700	12-8	1	H1005-0001-26	4-7	1
C7861-000012	10-11	1	D7870-020022	11-11	2	H1020-1076-30	14-3	1
D2765-000351	13-6	3	D7870-020022	12-31	2	H1020-1076-31	14-15	2
D2765-000351	9-18	2	D7870-020022	14-31	2	H1020-1098-30	12-41	1
D2765-000351	9-18	2	D7870-020022	13-19	2	H1020-1098-30	14-47	1
D2765-000351	12-6	3	D7872-002542	9-25	1	H1020-1098-30	13-31	1
D2765-000351	14-29	3	D7872-002542	13-5	3	H1020-1099-63-1	3-37	1
D2765-000351	11-10	2	D7872-002542	14-28	3	K118-1527-01-00	2-16	1
D2765-000351	14-7	3	D7872-002542	9-25	1	K118-8000-05-00	12-4	1
D2781-000802	9-13	1	D7872-002542	12-5	3	K118-8000-06-00	12-2	1
D2781-000812	9-11	1	D7872-002542	14-6	3	K118-8000-08-00	12-18	2
D2781-020802	9-14	1	D7872-002542	11-9	2	KF0-0047-02	7-33	1
D5000-242201	1-9	4	D7872-002542	9-17	1	KF0-0298-01	11-22	2
D5211-040100	4-38	1	E1004-288-013	1-28	1	KM1-0301-00	12-3	1
D5250-080080	3-35	1	E3019-891-017	7-36	2	KM1-0302-00	12-15	2
D6101-308500	3-33	1	E3020-397-102	14-12	2	M000-6204ZZP6	7-4	2
D6110-000G35	7-29	2	E3020-397-102	12-12	2	M000-6209	4-29	2
D6110-000G85	4-36	1	F0101-10-000-54	9-6	1	M000-6209LLB	4-19	2
D6110-000P29	11-18	1	F019-0001-22	9-6	1	M000-6209Z	4-22	1
D6110-000P50	11-20	1	F1234-1500-0	9-3	1	M001-AS1116	4-11	2
D611-000G80	4-33	1	H0001-0003-07	12-33	1	M001-NK80/35R	4-13	1
D7780-202500	10-14	1	H0001-0003-08	13-13	1	M009-0016-80	3-24	1
D7780-202900	10-13	2	H0001-0003-08	14-33	1	M009-0016-81	3-9	1
D7780-205000	10-7	1	H0001-0004-26	11-6	1	M009-0017-65-1	2-6	2
D7780-205800	10-6	2	H0010-0000-17	9-10	1	M009-0019-99	3-21	1
D7780-206000	10-15	1	H0010-0000-17	9-26	1	M1131-05255	1-5	1
D7780-207100	10-8	2	H0010-0000-17	9-26	1	M119-0012-76	1-6	1
D7780-208500	10-12	1	H0010-0002-17	7-17	2	T009-200-003-13	11-15	1
D7781-080120	9-15	1	H0010-0013-31	13-18	1	T009-200-003-13	12-29	1
D7781-080150	9-12	1	H0010-0013-31	11-12	1	T009-200-005-06	11-15	1
D7792-252700	11-14	1	H0010-0013-36	9-27	1	T009-200-005-16	14-42	1
D7793-250600	9-4	1	H0031-0009-26	7-27	2	T009-200-005-16	13-27	1
D7793-250600	9-4	1	H0031-0161-07	10-3	1	X	14-43	6
D7793-251500	14-8	1	H0032-1161-03	10-1	1	X	12-30	6
D7793-251500	13-14	1	H0039-0000-77	9-20	1	X	11-16	6
D7793-251500	12-7	1	H0039-0001-28	9-19	1	X	13-28	6
D7793-252700	13-16	1	H0039-0002-14	1-2	1	X	7-10	1

CONTENTS
LNC8

2. BALL-SCREW GROUP

SHEET NO.	ASSEMBLY NAME	PAGE
(21)	BED AND BASE	32
(22)	Z-AXIS BALL-SCREW	34
(23)	Z-AXIS DRIVE UNIT	36
(24)	SADDLE INSTALLATION	38
(25)	X-AXIS BALL-SCREW	40
(26)	X-AXIS DRIVE UNIT (1)	42
(27)	X-AXIS DRIVE UNIT (2)	44
(28)	CROSS-SLIDE INSTALLATION	46

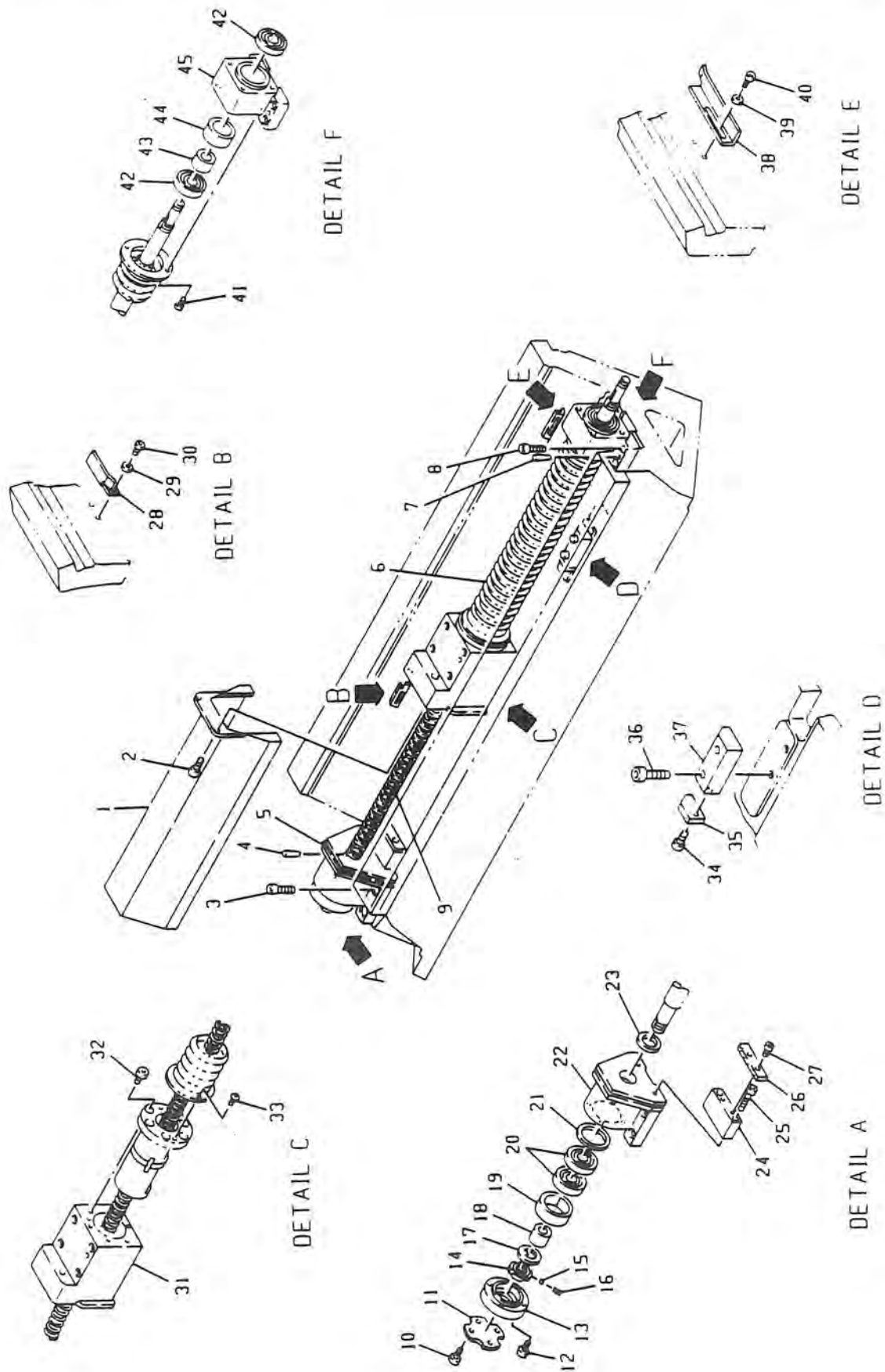
SHEET NO. 21 BED AND BASE



INDEX NO.	PART NO.	DESCRIPTION	UNIT NO.	QTY	INDEX NO.	PART NO.	DESCRIPTION	UNIT NO.	QTY
21-1	C5050-005121	SCREW, flat-head 5x12	A118X-4000	7					
21-2	K118-4000-02-00	CAP (TAILSTOCK)	A118X-4000	1					
21-3	C5010-200701	BOLT, socket-head 20x70	A118X-4000	8					
21-4	K118-4000-01-00	RAIL (TAILSTOCK)	A118X-4000	1					
21-5	118-0000-02-12	BED	A118X-0009	1					
21-6	C5000-240601	BOLT 24x60	A118X-0009	8					
21-7	118-9000-03-1	PLATE	A118X-0009	2					
21-8	K118-0000-02-00	BASE	A118X-0009	1					
21-9	C5010-080161	BOLT, socket-head 8x16	A118X-0009	2					
21-10	C5000-080161	BOLT, hex-head 8x16	A118X-0009	14					
21-11	118-0200-16	CAP	A118X-0009	2					
21-12	H1020-1047-69	PACKING	A118X-0009	2					
21-13	k118-9000-03-00	PLATE	A118X-0009	1					
21-14	C5010-120201	BOLT, socket-head 12x20	A118X-0009	4					
21-15	118-6000-10	BRACKET	A118X-0009	1					
21-16	H1020-1047-85	PACKING 150x255x2	A118X-0009	1					
21-17	C5010-080161	BOLT, socket-head 8x16	A118X-0009	10					
21-18	118-0200-19	CAP	A118X-0009	1					
21-19	C5022-000241	PLUG, filler, eye-bolt hole 24	A118X-0009	6					
21-22	C5000-240601	BOLT, hex-head 24x60	A118X-0010	3					
21-23	118-9000-02-1	PLATE	A118X-0009	1					
21-24	118-5000-04-4	PLATE	A118X-0010	1					
21-25	C5110-000241	NUT, hex. NO.4 24	A118X-0010	3					
21-26	D5000-242001	BOLT 24x200	A118X-0010	3					
21-27	118-5000-06-1	SEAT	A118X-0010	3					
21-28	108-0014-04-2	WASHER, foundation	A118X-0009	8					
21-29	KC5006-000321	SCREW, jack	A118X-0009	8					
21-30	KC5104-000321	NUT	A118X-0009	8					
21-31	K118-9000-03-00	PLATE	A118X-0009	1					
21-32	K118-9000-02-00	PLATE	A118X-0009	1					

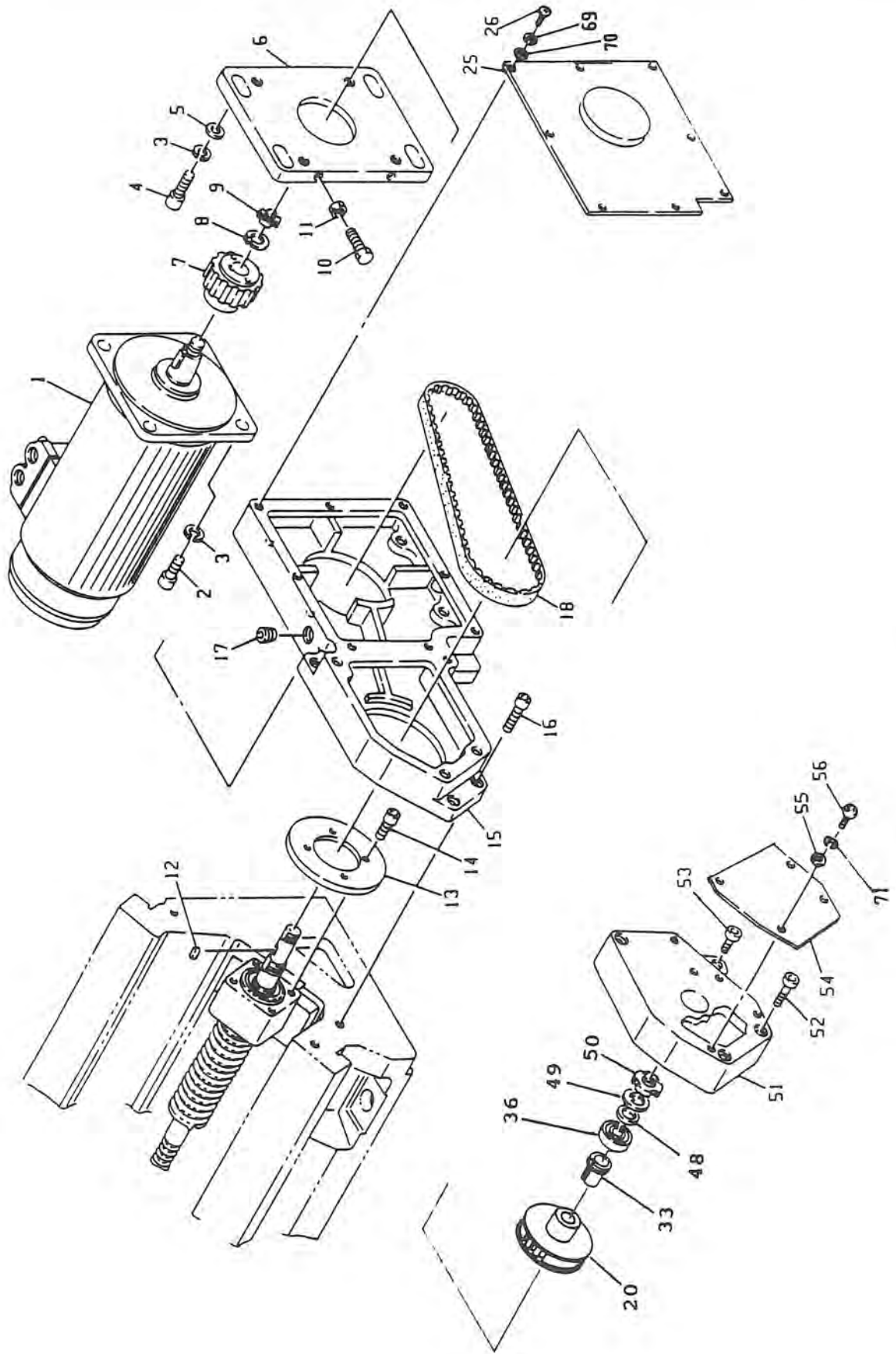
OKUMA MACHINE TOOLS, INC.

SHEET NO. 22 Z-AXIS BALL-SCREW



INDEX NO.	PART NO.	DESCRIPTION	UNIT NO.	QTY	INDEX NO.	PART NO.	DESCRIPTION	UNIT NO.	QTY
22-1	118-2100-29-2	COVER	A118X-2110	1	22-37	K118-2000-01-00	STOPPER, base	A118X-2110	1
22-2	C5010-080121	BOLT, socket-head 8x12	A118X-2110	2	22-38	K118-2000-02-00	DOG	A118X-2150	1
22-3	C5010-120451	BOLT, socket-head 12x45	A118X-2150	4	22-39	C5140-000081	WASHER, polished 8	A118X-2150	2
22-4	C0201-080401	ITP 8x40	A118X-2150	2	22-40	C5010-080161	BOLT, socket-head 8x16	A118X-2150	2
22-5	H1032-0002-56	FELT 8x8x310	A118X-2150	1	22-41	C5040-006101	SCREW, pan-head 6x10	A118X-2150	2
22-6	H1024-0001-24	BELLOWS	A118X-2150	1	22-42	M000-6205LLBP5	BEARING NTN 6205LLBP5	A118X-2150	2
22-7	C0201-080401	ITP 8x40	A118X-2150	2	22-43	C5486-025306	COLLAR, distance, inner	A118X-2150	1
22-8	C5010-120451	BOLT, socket-head 12x45	A118X-2150	4	22-44	C5487-052306	COLLAR, distance, outer	A118X-2150	1
22-9	H1014-0002-93	BALL SCREW CINCINNATI MILACRON	A118-2900	1	22-45	118-2100-05-2	BRACKET	A118X-2150	1
22-10	C5010-060101	BOLT, socket-head 6x10	A118X-2150	4					
22-11	118-2100-93	CAP	A118X-2150	1					
22-12	C5010-080351	BOLT, socket-head 8x35	A118X-2150	4					
22-13	118-2100-13-5	CAP	A118X-2150	1					
22-14	118-2100-94	NUT	A118X-2150	1					
22-15	C5800-004030	BLOCK	A118X-2150	2					
22-16	C5036-006061	SET-SCREW, flat-point 6x6	A118X-2150	2					
22-17	C5153-000250	WASHER, Lock 25	A118X-2150	1					
22-18	118-2100-09-1	COLLAR	A118X-2150	1					
22-19	118-2100-10	COLLAR	A118X-2150	1					
22-20	M009-25BST62DB	BEARING NSK 25TAC	A118X-2150	1					
22-21	118-2100-31-1	COLLAR	A118X-2150	1					
22-22	118-2100-04-3	BRACKET	A118X-2150	1					
22-23	H1032-1004-64	RING, felt	A118X-2150	1					
22-24	118-2100-14-2	STOPPER, base	A118X-2110	1					
22-25	C5010-080551	BOLT, socket-head 8x55	A118X-2110	2					
22-26	H1030-1001-95-1	STOPPER NBR 25x100x10	A118X-2110	1					
22-27	C5010-080201	BOLT, socket-head 8x20	A118X-2110	2					
22-28	118-2100-44-2	DOG	A118X-2150	1					
22-29	C5140-000081	WASHER, polished 8	A118X-2150	2					
22-30	C5010-080161	BOLT, socket-head 8x16	A118X-2150	2					
22-31	118-2100-50-3	BRACKET	A118X-2150	1					
22-32	C5010-080251	BOLT, socket-head 8x25	A118X-2150	5					
22-33	C5040-006101	SCREW, pan-head 6x10	A118X-2150	2					
22-34	C5010-060201	BOLT, socket-head 6x20	A118X-2110	1					
22-35	H1030-1001-94-1	STOPPER	A118X-2110	1					
22-36	C5010-120451	BOLT, socket-head 12x45	A118X-2110	2					

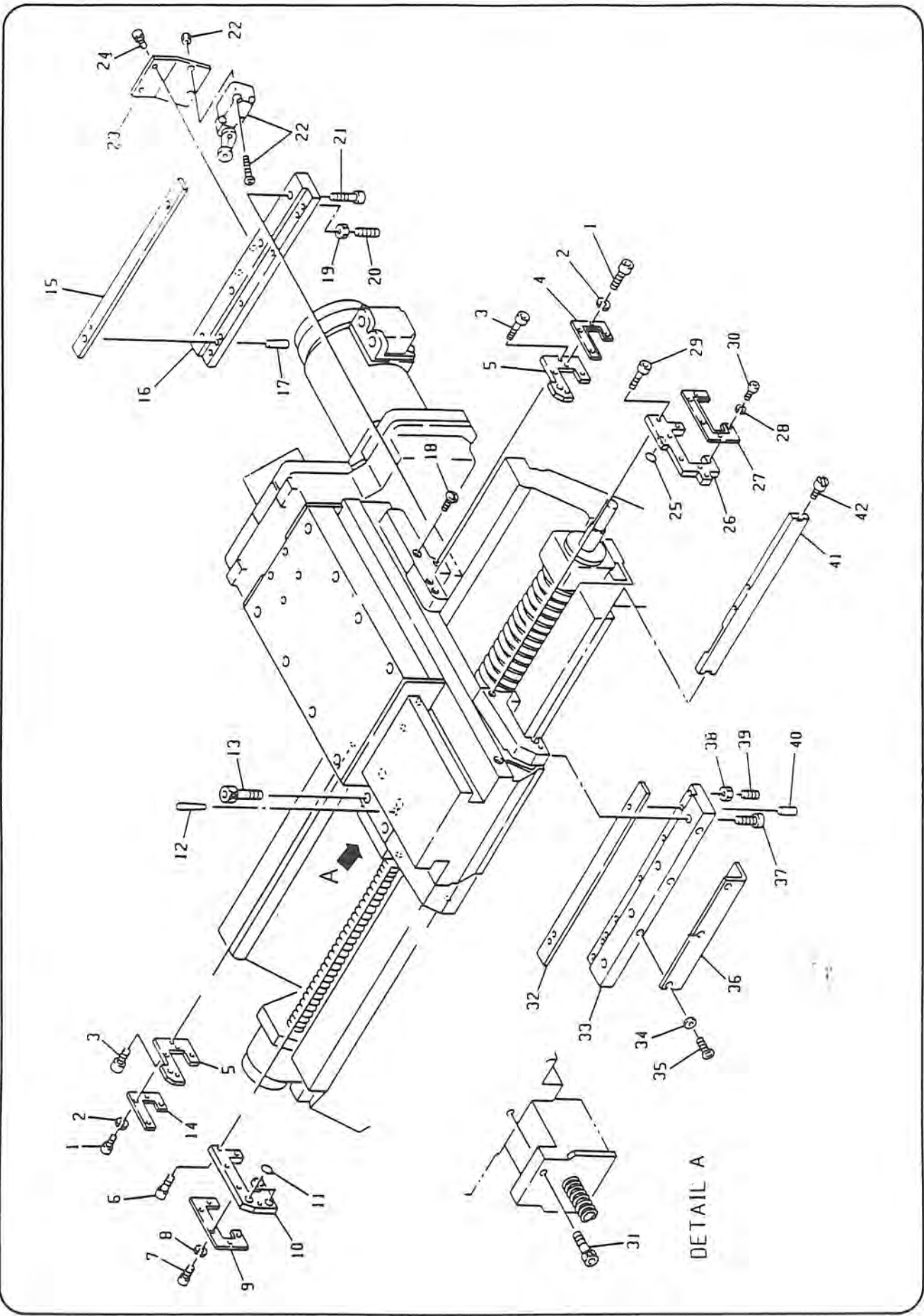
SHEET NO. 23 Z-AXIS DRIVE UNIT



INDEX NO.	PART NO.	DESCRIPTION	UNIT NO.	QTY	INDEX NO.	PART NO.	DESCRIPTION	UNIT NO.	QTY
23-1	BL-120E-20	SERVOMOTOR, DC B2120E-20	A005-7003	1					
23-2	C5010-120351	BOLT, socket-head 12x35	A118X-2150	4					
23-3	C5160-000121	WASHER, spring 12	A118X-2150	8					
23-4	C5010-120451	BOLT, socket-head 12x45	A118X-2150	4					
23-5	C5140-000121	WASHER, polished 12	A118X-2150	4					
23-6	118-2100-65	BASE, motor	A118X-2150	1					
23-7	H1019-1004-20-3	PULLEY BANDO STS	A118X-2150	1					
23-8	118-2100-86-1	30S8M0250 B	A118X-2150	1					
23-9	118-2100-85	WASHER	A118X-2150	1					
23-10	C5000-080351	NUT	A118X-2150	2					
23-11	C5110-000081	BOLT, hex-head 8x35	A118X-2150	2					
23-12	118-2100-20-2	NUT, hex.NO.4 8	A118X-2150	1					
23-13	118-2100-28-1	KEY	A118X-2150	1					
23-14	C5010-080161	DISC	A118X-2150	1					
23-15	118-2100-58	BOLT, socket-head 8x16	A118X-2150	4					
23-16	C5010-120401	BOX	A118X-2150	1					
23-17	C7861-000042	BOLT, socket-head 12x40	A118X-2150	4					
23-18	M119-0007-49	PLUG, socket-head 3/4	A118X-2150	1					
23-20	H1019-1007-23	BELT	A118X-2150	1					
23-25	118-2100-60	PULLEY	A118X-2150	1					
23-26	C5040-006081	CAP	A118X-2150	1					
23-33	118-2101-09	SCREW, pan-head 6x8	A118X-2150	8					
23-36	M000-6004ZZ	BUSH, taper	A118X-2150	1					
23-48	118-2100-73	BEARING 6004ZZ, M20x47x14	A118-2250	1					
23-49	C5153-000200	COLLAR	A118X-2150	1					
23-50	C5131-000201	WASHER, Lock, precision 20	A118X-2150	1					
23-51	118-2100-59-4	NUT, round slotted, precision 20	A118X-2150	1					
23-52	C5010-120651	CAP	A118X-2150	1					
23-53	C5010-120301	BOLT, socket-head 12x65	A118X-2150	3					
23-54	118-2100-61-2	BOLT, socket-head 12x30	A118X-2150	1					
23-55	C5140-000051	CAP	A118X-2150	1					
23-56	C5040-005081	WASHER, polished 5	A118X-2150	6					
23-69	C5160-000061	SCREW, pan-head 5X8	A118X-2150	6					
23-70	C5140-000061	WASHER, spring 6	A118X-2150	8					
23-71	C5160-000051	WASHER, plain 6	A118X-2150	8					
		WASHER, spring 5	A118X-2150	6					

OKUMA MACHINE TOOLS, INC.

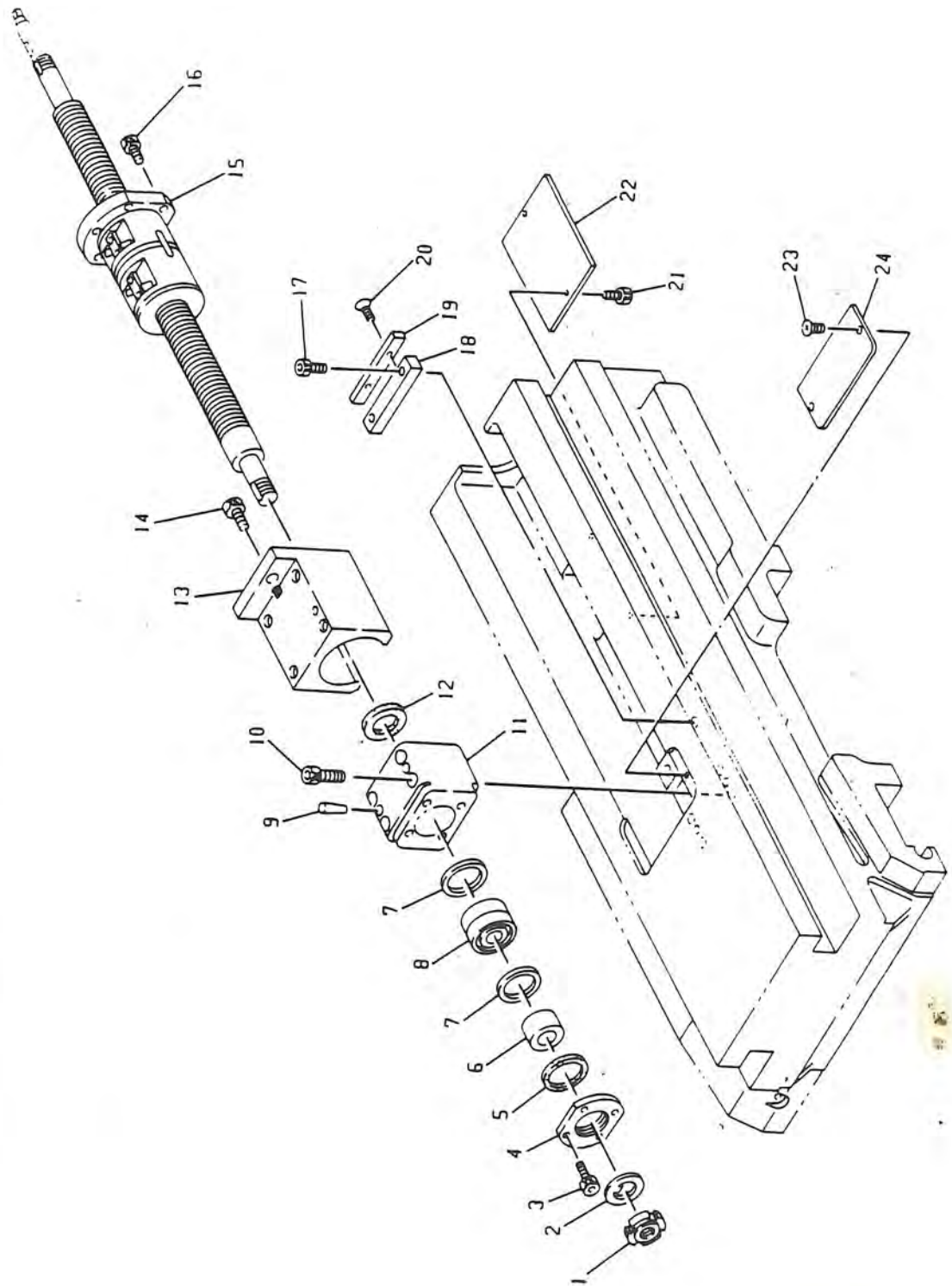
SHEET NO. 24 SADDLE INSTALLATION



INDEX NO.	PART NO.	DESCRIPTION	UNIT NO.	QTY	INDEX NO.	PART NO.	DESCRIPTION	UNIT NO.	QTY
24-1	C5010-04101	BOLT, socket-head 4x10	A118X-2150	8	24-40	C5201-006120	PIN, parallel 6x12	A118X-2150	2
24-3	C5010-080201	BOLT, socket-head 8x20	A118X-2150	4	24-41	118-2000-22	GIB	A118X-2150	1
24-4	H1023-0005-65	WIPER BANDO	A118X-2150	1	24-42	C5029-000081	BOLT, gib 8x28	A118X-2150	2
24-5	118-2000-08-2	WIPER	A118X-2150	2	24-43	H1023-0005-66	WIPER BANDO	A118X-2150	1
24-6	C5010-080251	BOLT, socket-head 8x25	A118X-2150	2	24-44	C5160-000061	WASHER, spring 6	A118X-2150	3
24-7	C5010-040101	BOLT, socket-head 4x8	A118X-2150	5					
24-9	H1023-0005-68	WIPER	A118X-2150	1					
24-10	118-2100-48-2	WIPER	A118X-2150	1					
24-11	D6110-0000P7	O-RING P7	A118X-2150	2					
24-12	C0201-080501	ITP 8x50	A118X-2150	1					
24-13	C5010-120401	BOLT, socket-head 12x40	A118X-2150	4					
24-14	118-2000-34-7	SADDLE	A118X-2150	1					
24-15	118-2000-10-5	GIB	A118X-2150	1					
24-16	118-2000-04-2	BACK PLATE	A118X-2150	1					
24-17	C5201-006120	PIN, parallel 6x12	A118X-2150	2					
24-18	C5022-000121	PLUG, filler, eye-bolt hole 12	A118X-2150	4					
24-19	C5110-000081	NUT, hex.NO.4 8	A118X-2150	5					
24-20	C5035-008301	SET-SCREW, dog-point 8x30	A118X-2150	5					
24-21	C5010-120351	BOLT, socket-head 12x35	A118X-2150	4					
24-22	E3012-891-001	LIMIT-SWITCH ILSI-J YAMATAKE	A118X-2150	1					
24-23	118-2100-47-1	BRACKET LS	A118X-2150	1					
24-24	C5010-060121	BOLT, socket-head 6x12	A118X-2150	4					
24-25	D6110-0000P7	O-RING P7	A118X-2150	1					
24-26	118-2100-49-1	WIPER	A118X-2150	1					
24-27	H1023-0005-67	WIPER	A118X-2150	1					
24-29	C5010-080251	BOLT, socket-head 8x25	A118X-2150	2					
24-30	C5010-040101	BOLT, socket-head 4x10	A118X-2150	5					
24-31	C5010-120401	BOLT, socket-head 12x40	A118X-2150	1					
24-32	118-2000-23-3	GIB	A118X-2150	1					
24-33	118-2000-21-2	BACK PLATE	A118X-2150	1					
24-34	C5140-000061	WASHER, polished 6	A118X-2150	5					
24-35	C5040-006101	SCREW, pan-head 6x10	A118X-2150	5					
24-36	118-2000-12-3	SADDLE BRACKET	A118X-2150	1					
24-37	C5000-120451	BOLT 12x45	A118X-2150	4					
24-38	C5110-000081	NUT, hex.NO.4 8	A118X-2150	5					
24-39	C5035-008301	SET-SCREW, dog-point 8x30	A118X-2150	5					

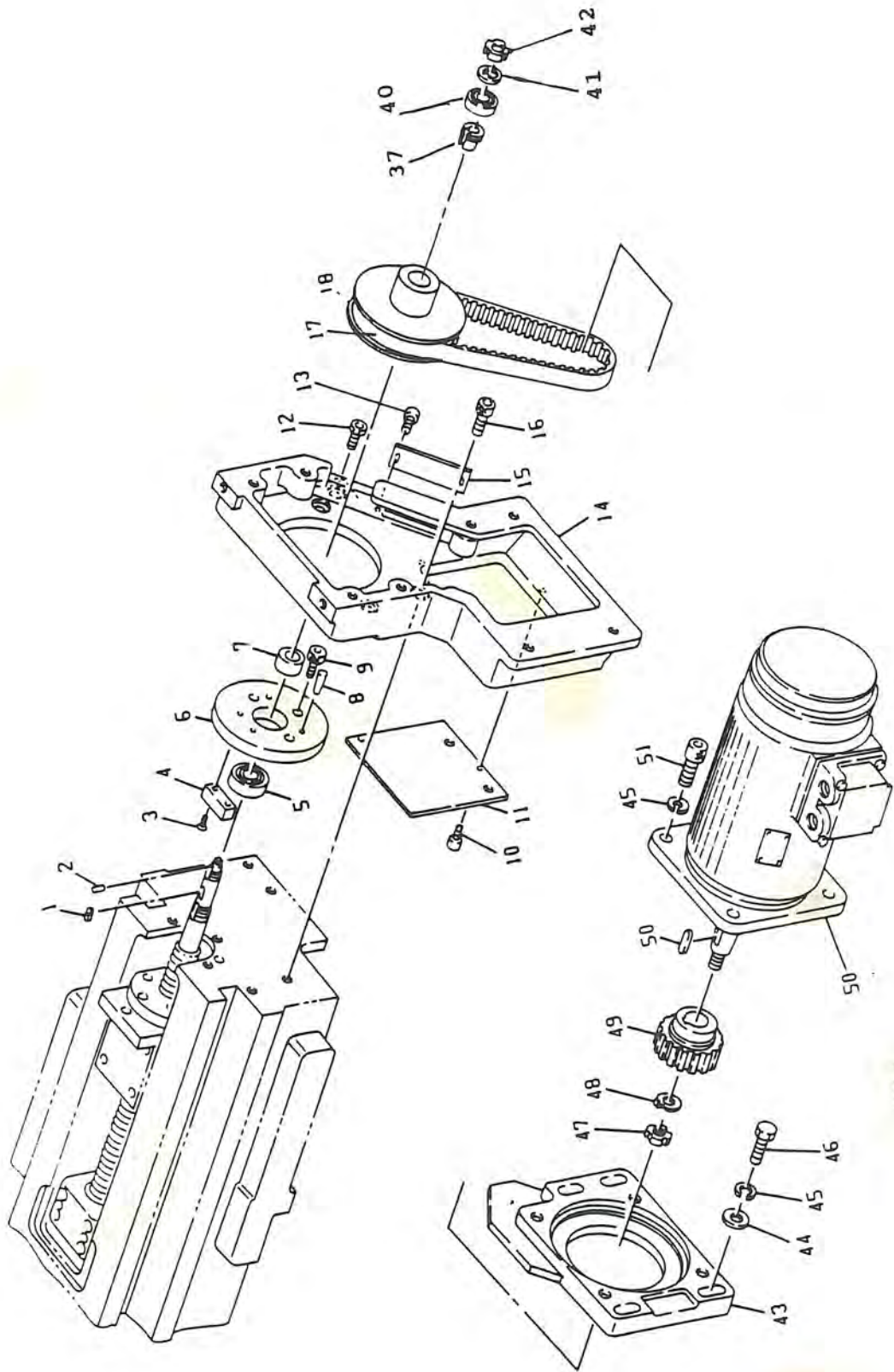
OKUMA MACHINE TOOLS, INC.

SHEET NO. 25 X-AXIS BALL-SCREW



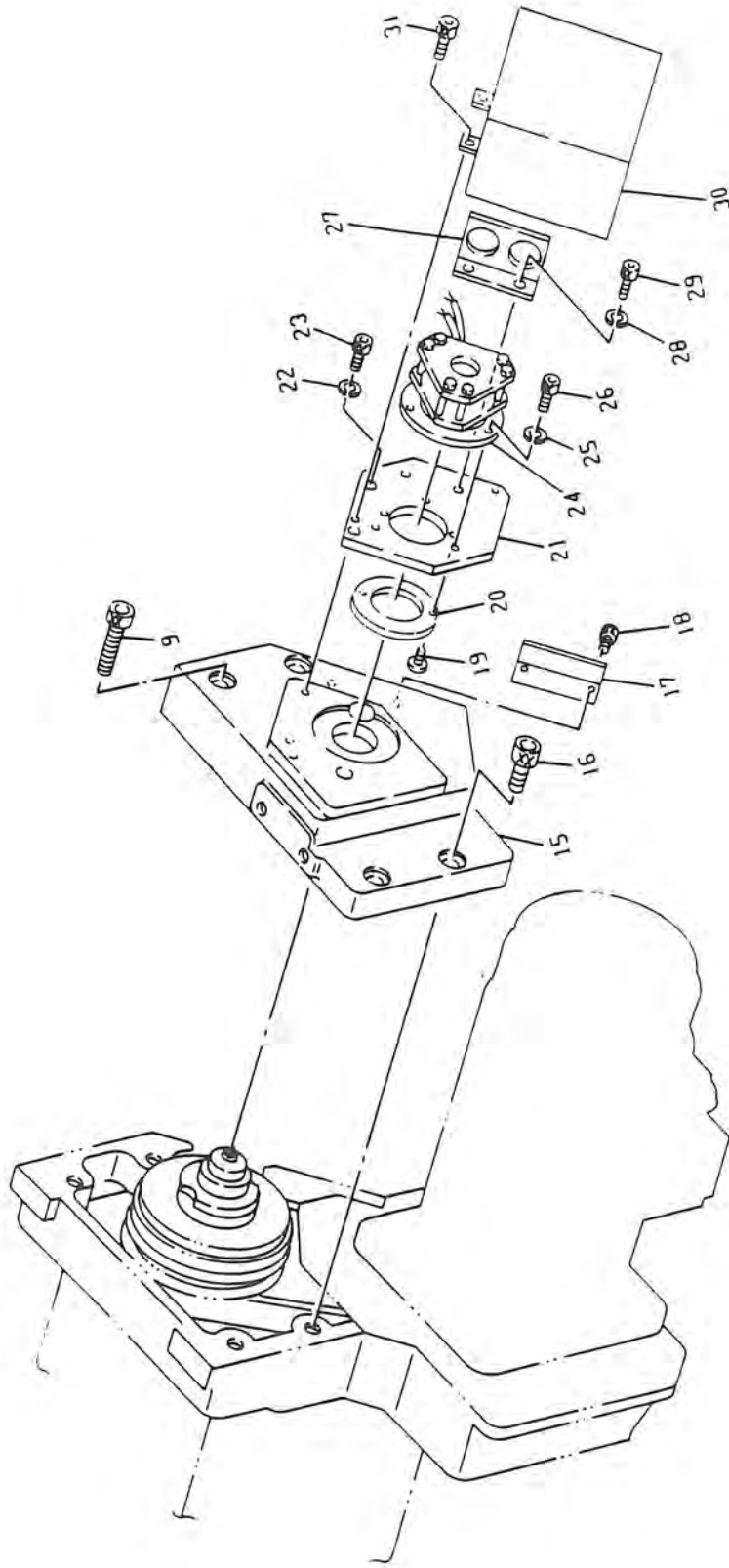
INDEX NO.	PART NO.	DESCRIPTION	UNIT NO.	QTY	INDEX NO.	PART NO.	DESCRIPTION	UNIT NO.	QTY
25-1	118-2200-23-1	NUT	A118-2250	1					
25-2	C5153-000200	WASHER, Lock 20	A118-2250	1					
25-3	C5010-100251	BOLT, socket-head 10x25	A118-2250	4					
25-4	118-2200-73-2	CAP	A118-2250	1					
25-5	F1110-035-04804	SEAL, oil ZF AZ2045G0 NOK	A118-2250	1					
25-6	118-2200-22-4	COLLAR	A118-2250	1					
25-7	117-0200-08-2	COLLAR	A118-2250	2					
25-8	M000-20BST47DB	BEARING NSK 20TAC47DB	A118-2250	1					
25-9	C0201-080321	ITP 8x32	A118-2250	2					
25-10	C5010-100351	BOLT, socket-head 10x35	A118-2250	4					
25-11	118-2200-72	HOUSING	A118-2250	1					
25-12	F1100-032-04508	SEAL, oil SB32458	A118-2250	1					
25-13	118-2200-64-1	HOUSING	A118-2250	1					
25-14	C5010-100201	BOLT, socket-head 10x20	A118-2250	1					
25-15	H1014-0002-91	BALL SCREW CINCINNATI MILACRON	A118-2905	1					
25-16	C5010-080201	BOLT, socket-head 8x20	A118-2250	5					
25-17	C5010-100301	BOLT, socket-head 10x30	A118X-2150	2					
25-18	118-2000-28-1	STOPPER	A118X-2150	1					
25-19	H1022-1023-83-1	STOPPER	A118X-2150	1					
25-20	C5050-005081	SCREW, flat-head 5x8	A118X-2150	2					
25-21	C5010-060101	BOLT, socket-head 6x10	A118X-2150	2					
25-22	118-2000-14	CAP	A118X-2150	1					
25-23	C5050-005101	SCREW, flat-head 5x10	A118X-2150	2					
25-24	118-2000-16-1	CAP	A118X-2150	1					

SHEET NO. 26 X-AXIS DRIVE UNIT (1)



INDEX NO.	PART NO.	DESCRIPTION	UNIT NO.	QTY	INDEX NO.	PART NO.	DESCRIPTION	UNIT NO.	QTY
26-1	118-2200-15-1	KEY	A118-2250	1					
26-2	C5201-003060	PIN, parallel 3x6	A118-2250	1					
26-3	C5050-005081	SCREW, flat-head 5x8	A118-2250	2					
26-4	H1025-1001-55	STOPPER NBR 16x50x17.5	A118-2250	1					
26-5	M000-6204LLBP5	BEARING 6204LLBP5	A118-2250	1					
26-6	118-2200-19-2	HOUSING	A118-2250	1					
26-7	118-2200-17	COLLAR	A118-2250	1					
26-8	C0201-060251	ITP 6x25	A118-2250	2					
26-9	C5010-080221	BOLT, socket-head 8x22	A118-2250	3					
26-10	C5010-060101	BOLT, socket-head 6x10	A118-2250	2					
26-11	118-2200-68	CAP	A118-2250	1					
26-12	C5010-120251	BOLT, socket-head 12x25	A118-2250	1					
26-13	C5010-060101	BOLT, socket-head 6x10	A118-2250	2					
26-14	118-2200-65-2	BOX	A118-2250	1					
26-15	118-2200-69-1	CAP	A118-2250	1					
26-16	C5010-120301	BOLT, socket-head 12x30	A118-2250	3					
26-17	M119-0006-91	BELT STS 50S8M800	A118-2250	1					
26-18	H1019-1007-22	PULLEY BANDO	A118-2250	1					
26-37	118-2200-76	50S8M0250+FS136116	A118-2250	1					
26-40	M000-6202ZZ	SLEEVE	A118-2250	1					
		BEARING 6202ZZ M15x35x11	A118-2250	1					
26-41	C5153-000150	WASHER, Lock, precision 15	A118-2250	1					
26-42	C5131-000151	NUT, round slotted precision	A118-2250	1					
26-43	118-2200-35-4	BASE, motor	A118-2250	1					
26-44	113-0260-05	WASHER	A118-2250	4					
26-45	C5160-000121	WASHER, spring 12	A118-2250	8					
26-46	C5000-120501	BOLT 12x50	A118-2250	4					
26-47	118-2100-85	NUT	A118-2250	1					
26-48	118-2100-86	WASHER	A118-2250	1					
26-49	H1019-1004-20-2	PULLEY	A118-2250	1					
26-50	BL-8OE-20	SERVOMOTOR, DC BL-8E-20	A005-7001	1					
26-51	C5010-120301	BOLT, socket-head 12x30	A118-2250	4					

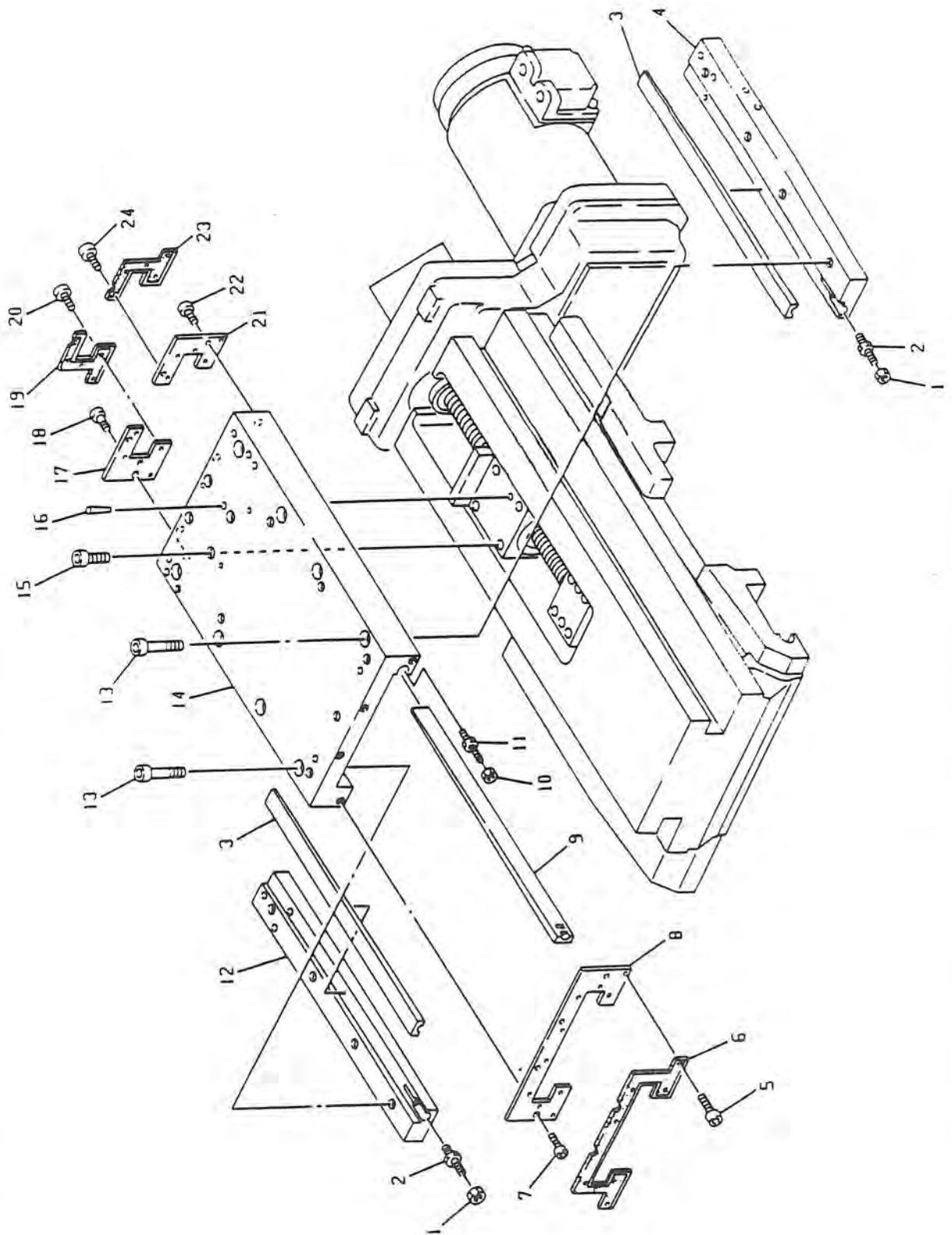
SHEET NO. 27 X-AXIS DRIVE UNIT (2)



INDEX NO.	PART NO.	DESCRIPTION	UNIT NO.	QTY	INDEX NO.	PART NO.	DESCRIPTION	UNIT NO.	QTY
27-9	C5010-120551	BOLT, socket-head 12X55	A118-2250	2					
27-15	118-2200-66-3	CAP	A118-2250	1					
27-16	C5010-120351	BOLT, socket-head 12X35	A118-2250	2					
27-17	118-2200-05-1	CAP	A118-2250	1					
27-18	C5010-060101	BOLT, socket-head 6X10	A118-2250	2					
27-19	C5040-005081	SCREW, pan-head 5X8	A118-2250	2					
27-20	118-2200-27-2	COLLAR	A118-2250	1					
27-21	118-2200-36-3	PLATE	A118-2250	1					
27-22	C5160-000061	WASHER, spring 6	A118-2250	2					
27-23	C5010-060201	BOLT, socket-head 6X20	A118-2250	2					
27-24	H1011-0001-62	BRAKE, magnetic	A118-2250	1					
27-25	C5160-000051	MNBO2-015	A118-2250	3					
27-26	C5010-050101	WASHER, spring 5	A118-2250	3					
27-27	118-2200-38-2	BOLT, socket-head 5X10	A118-2250	1					
27-28	C5160-000051	SUPPORT	A118-2250	2					
27-29	C5010-050081	WASHER, spring 5	A118-2250	2					
27-30	118-2200-37-2	BOLT, socket-head 5X8	A118-2250	2					
27-31	C5010-050081	COVER	A118-2250	1					
		BOLT, socket-head 5X8	A118-2250	3					

OKUMA MACHINE TOOLS, INC.

SHEET NO. 28 CROSS-SLIDE INSTALLATION



INDEX NO.	PART NO.	DESCRIPTION	UNIT NO.	QTY	INDEX NO.	PART NO.	DESCRIPTION	UNIT NO.	QTY
28-1	I01-0300-14	NUT	A118-2250	2					
28-2	I01-0300-13-1	SCREW	A118-2250	2					
28-3	I18-2000-41	GIB	A118-2250	2					
28-4	I18-2000-40-3	BACK PLATE	A118-2250	1					
28-5	C5010-040101	BOLT, socket-head 4x10	A118-2250	10					
28-6	H1023-007-01	WIPER BANDO FU	A118-2250	1					
28-7	C5010-060161	77.7x280x5.8	A118-2250	4					
28-8	I18-2000-36-1	BOLT, socket-head 6x16	A118-2250	1					
28-9	I18-2000-42	PLATE	A118-2250	1					
28-10	I08-0301-18-2	GIB	A118-2250	1					
28-11	I08-0301-17-1	NUT	A118-2250	1					
28-12	I18-2000-39-3	BOLT	A118-2250	1					
28-13	C5010-120601	BACK PLATE	A118-2250	1					
28-14	I18-2000-35-3	BOLT, socket-head 12x60	A118-2250	8					
28-15	C5010-100301	CROSS-SLIDE	A118-2250	1					
28-16	C0201-080321	BOLT, socket-head 10x30	A118-2250	4					
28-17	I18-2000-38	ITP 8x32	A118-2250	1					
28-18	C5010-060121	PLATE	A118-2250	1					
28-19	H1023-0007-02	BOLT, socket-head 6x12	A118-2250	2					
28-20	C5010-040101	WIPER	A118-2250	1					
28-21	I18-2000-37	BOLT, socket-head 4x10	A118-2250	10					
28-22	C5010-060121	PLATE	A118-2250	1					
28-23	H1023-0007-03	BOLT, socket-head 6x12	A118-2250	2					
28-24	C5010-040101	WIPER BANDO FU 77.7x96x5.8	A118-2250	1					
		BOLT, socket-head 4x10	A118-2250	10					

OKUMA MACHINE TOOLS, INC.

BALL-SCREW GROUP

PART NO. LIST

Part No.	Index	Qty	Part No.	Index	Qty	Part No.	Index	Qty
101-0300-13-1	28-2	2	118-2100-31-1	22-21	1	118-5000-04-4	21-24	1
101-0300-14	28-1	2	118-2100-44-2	22-28	1	118-5000-06-1	21-27	3
108-0014-04-2	21-28	8	118-2100-47-1	24-23	1	118-6000-10	21-15	1
108-0301-17-1	28-11	1	118-2100-48-2	24-10	1	118-9000-02-1	21-23	1
108-0301-18-2	28-10	1	118-2100-49-1	24-26	1	118-9000-03-1	21-7	2
113-0260-05	26-44	4	118-2100-50-3	22-31	1	BL-120E-20	23-1	1
117-0200-08-2	25-7	2	118-2100-58	23-15	1	BL-8OE-20	26-50	1
118-0000-02-12	21-5	1	118-2100-59-4	23-51	1	C0201-060251	26-8	2
118-0200-16	21-11	2	118-2100-60	23-25	1	C0201-080321	28-16	1
118-0200-19	21-18	1	118-2100-61-2	23-54	1	C0201-080321	25-9	2
118-2000-04-2	24-16	1	118-2100-65	23-6	1	C0201-080401	22-7	2
118-2000-08-2	24-5	2	118-2100-73	23-48	1	C0201-080401	22-4	2
118-2000-10-5	24-15	1	118-2100-85	26-47	1	C0201-080501	24-12	1
118-2000-12-3	24-36	1	118-2100-85	23-9	1	C5000-080161	21-10	14
118-2000-14	25-22	1	118-2100-86	26-48	1	C5000-080351	23-10	2
118-2000-16-1	25-24	1	118-2100-86-1	23-8	1	C5000-120451	24-37	4
118-2000-21-2	24-33	1	118-2100-93	22-11	1	C5000-120501	26-46	4
118-2000-22	24-41	1	118-2100-94	22-14	1	C5000-240601	21-6	8
118-2000-23-3	24-32	1	118-2101-09	23-33	1	C5000-240601	21-22	3
118-2000-28-1	25-18	1	118-2200-05-1	27-17	1	C5010-040101	24-7	5
118-2000-34-7	24-14	1	118-2200-15-1	26-1	1	C5010-040101	24-30	5
118-2000-35-3	28-14	1	118-2200-17	26-7	1	C5010-040101	28-5	10
118-2000-36-1	28-8	1	118-2200-19-2	26-6	1	C5010-040101	28-24	10
118-2000-37	28-21	1	118-2200-22-4	25-6	1	C5010-040101	28-20	10
118-2000-38	28-17	1	118-2200-23-1	25-1	1	C5010-04101	24-1	8
118-2000-39-3	28-12	1	118-2200-27-2	27-20	1	C5010-050081	27-31	3
118-2000-40-3	28-4	1	118-2200-35-4	26-43	1	C5010-050081	27-29	2
118-2000-41	28-3	2	118-2200-36-3	27-21	1	C5010-050101	27-26	3
118-2000-42	28-9	1	118-2200-37-2	27-30	1	C5010-060101	26-13	2
118-2100-04-3	22-22	1	118-2200-38-2	27-27	1	C5010-060101	27-18	2
118-2100-05-2	22-45	1	118-2200-64-1	25-13	1	C5010-060101	26-10	2
118-2100-09-1	22-18	1	118-2200-65-2	26-14	1	C5010-060101	22-10	4
118-2100-10	22-19	1	118-2200-66-3	27-15	1	C5010-060101	25-21	2
118-2100-13-5	22-13	1	118-2200-68	26-11	1	C5010-060121	24-24	4
118-2100-14-2	22-24	1	118-2200-69-1	26-15	1	C5010-060121	28-22	2
118-2100-20-2	23-12	1	118-2200-72	25-11	1	C5010-060121	28-18	2
118-2100-28-1	23-13	1	118-2200-73-2	25-4	1	C5010-060161	28-7	4
118-2100-29-2	22-1	1	118-2200-76	26-37	1	C5010-060201	27-23	2

BALL-SCREW GROUP

PART NO. LIST

Part No.	Index	Qty	Part No.	Index	Qty	Part No.	Index	Qty
C5010-060201	22-34	1	C5010-120651	23-52	3	C5160-000061	24-44	3
C5010-080121	22-2	2	C5010-200701	21-3	8	C5160-000061	27-22	2
C5010-080161	21-17	10	C5022-000121	24-18	4	C5160-000121	23-3	8
C5010-080161	22-30	2	C5022-000241	21-19	6	C5160-000121	26-45	8
C5010-080161	22-40	2	C5029-000081	24-42	2	C5201-003060	26-2	1
C5010-080161	23-14	4	C5035-008301	24-20	5	C5201-006120	24-17	2
C5010-080161	21-9	2	C5035-008301	24-39	5	C5201-006120	24-40	2
C5010-080201	22-27	2	C5036-006061	22-16	2	C5486-025306	22-43	1
C5010-080201	25-16	5	C5040-005081	23-56	6	C5487-052306	22-44	1
C5010-080201	24-3	4	C5040-005081	27-19	2	C5800-004030	22-15	2
C5010-080221	26-9	3	C5040-006081	23-26	8	C7861-000042	23-17	1
C5010-080251	24-29	2	C5040-006101	22-33	2	D5000-242001	21-26	3
C5010-080251	24-6	2	C5040-006101	22-41	2	D6110-0000P7	24-11	2
C5010-080251	22-32	5	C5040-006101	24-35	5	D6110-0000P7	24-25	1
C5010-080351	22-12	4	C5050-005081	25-20	2	E3012-891-001	24-22	1
C5010-080551	22-25	2	C5050-005081	26-3	2	F1100-032-04508	25-12	1
C5010-100201	25-14	1	C5050-005101	25-23	2	F1110-035-04804	25-5	1
C5010-100251	25-3	4	C5050-005121	21-1	7	H1011-0001-62	27-24	1
C5010-100301	25-17	2	C5110-000081	24-19	5	H1014-0002-91	25-15	1
C5010-100301	28-15	4	C5110-000081	23-11	2	H1014-0002-93	22-9	1
C5010-100351	25-10	4	C5110-000081	24-38	5	H1019-1004-20-2	26-49	1
C5010-120201	21-14	4	C5110-000241	21-25	3	H1019-1004-20-3	23-7	1
C5010-120251	26-12	1	C5131-000151	26-42	1	H1019-1007-22	26-18	1
C5010-120301	26-51	4	C5131-000201	23-50	1	H1019-1007-23	23-20	1
C5010-120301	26-16	3	C5140-000051	23-55	6	H1020-1047-69	21-12	2
C5010-120301	23-53	1	C5140-000061	24-34	5	H1020-1047-85	21-16	1
C5010-120351	23-2	4	C5140-000061	23-70	8	H1022-1023-83-1	25-19	1
C5010-120351	24-21	4	C5140-000081	22-39	2	H1023-0005-65	24-4	1
C5010-120351	27-16	2	C5140-000081	22-29	2	H1023-0005-66	24-43	1
C5010-120401	23-16	4	C5140-000121	23-5	4	H1023-0005-67	24-27	1
C5010-120401	24-13	4	C5153-000150	26-41	1	H1023-0005-68	24-9	1
C5010-120401	24-31	1	C5153-000200	23-49	1	H1023-0007-02	28-19	1
C5010-120451	22-3	4	C5153-000200	25-2	1	H1023-0007-03	28-23	1
C5010-120451	22-8	4	C5153-000250	22-17	1	H1023-007-01	28-6	1
C5010-120451	22-36	2	C5160-000051	27-28	2	H1024-0001-24	22-6	1
C5010-120451	23-4	4	C5160-000051	23-71	6	H1025-1001-55	26-4	1
C5010-120551	27-9	2	C5160-000051	27-25	3	H1030-1001-94-1	22-35	1
C5010-120601	28-13	8	C5160-000061	23-69	8	H1030-1001-95-1	22-26	1

BALL-SCREW GROUP

PART NO. LIST

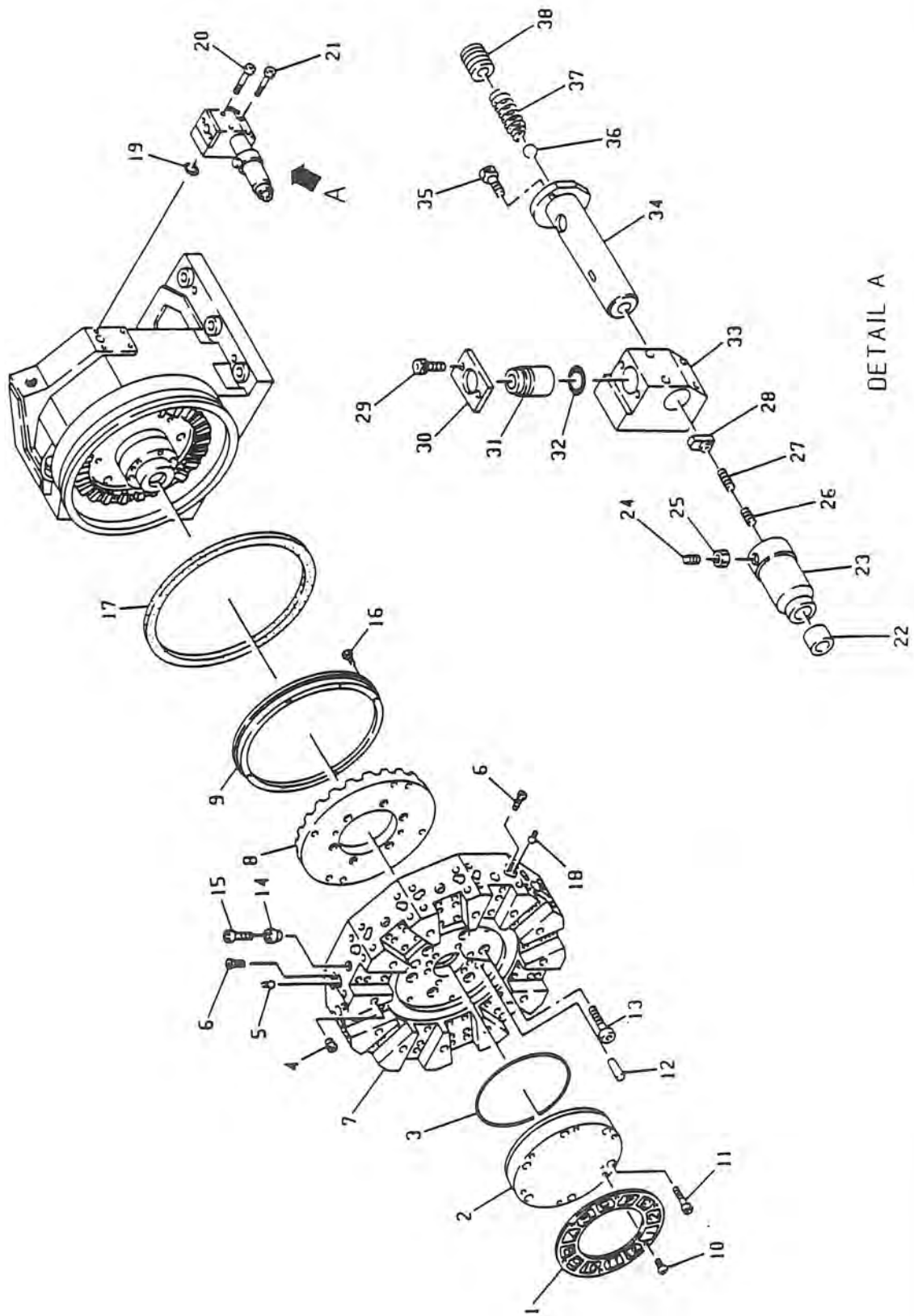
Part No.	Index	Qty	Part No.	Index	Qty	Part No.	Index	Qty
H1032-0002-56	22-5	1						
H1032-1004-64	22-23	1						
K118-0000-02-00	21-8	1						
K118-2000-01-00	22-37	1						
K118-2000-02-00	22-38	1						
K118-4000-01-00	21-4	1						
K118-4000-02-00	21-2	1						
K118-9000-02-00	21-32	1						
K118-9000-03-00	21-31	1						
KC5006-000321	21-29	8						
KC5104-000321	21-30	8						
k118-9000-03-00	21-13	1						
M000-20BST47DB	25-8	1						
M000-6004ZZ	23-36	1						
M000-6202ZZ	26-40	1						
M000-6204LLBP5	26-5	1						
M000-6205LLBP5	22-42	2						
M009-25BST62DB	22-20	1						
M119-0006-91	26-17	1						
M119-0007-49	23-18	1						

CONTENTS
LNC8

3. INDEX GROUP

SHEET NO.	ASSEMBLY NAME	PAGE
(41)	INDEX UNIT (1).....	52
(42)	INDEX UNIT (2).....	54
(43)	INDEX UNIT (3).....	56
(44)	INDEX UNIT (4).....	58
(45)	INDEX UNIT (5).....	60
(46)	INDEX INSTALLATION AND STROKE SWITCH	62
(47)	VDI TURRET SYSTEM	64
(48)	TOOLING SYSTEM (I).....	66

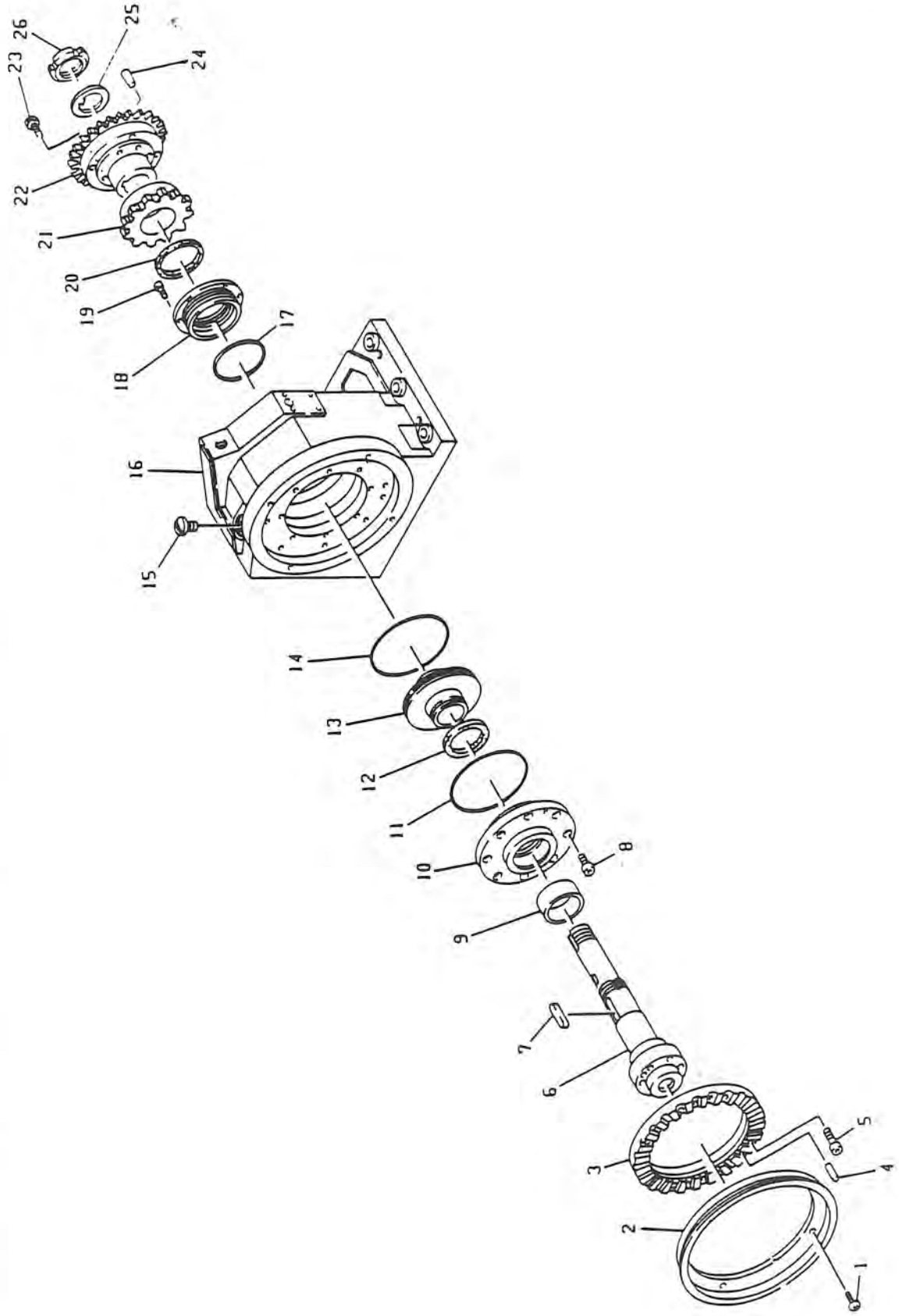
SHEET NO. 41 INDEX UNIT (1)



INDEX NO.	PART NO.	DESCRIPTION	UNIT NO.	QTY	INDEX NO.	PART NO.	DESCRIPTION	UNIT NO.	QTY
41-1	H1040-1028-41	NAMEPLATE, M180xM110x0.8	A118-3123	1	41-37	M109-1021-78	SPRING, compression M2M	A118-3070	1
41-2	I18-3120-02	CAP	A118-3123	1	41-38	118-6210-05	HOLDER, compression spring seat	A118-3070	1
41-3	D6110-00G150	O-RING 5.7x1.49.3	A118-3123	1					
41-4	C7861-000012	PLUG, socket-head 1/4	A118-3123	12					
41-5	I19-3100-09-3	NOZZLE	A118-3123	12					
41-6	C5050-006141	SCREW, flat-head 6x14	A118-3123	24					
41-7	I18-3122-01-8	TURRET (I)	A118-3123	1					
41-8	I18-3020-05-54	CLUTCH (V12)	A118-3070	1					
41-9	I18-3000-11-2	RING	A118-3070	1					
41-10	C5040-006081	SCREW, pan-head 6x8	A118-3120	6					
41-11	C5010-080401	BOLT, socket-head 8x40	A118-3123	4					
41-12	C0201-080361	ITP 8x36	A118-3123	2					
41-13	C5010-100451	BOLT, socket-head 10x45	A118-3123	12					
41-14	I18-3100-03-54	BLOCK	A118-3123	12					
41-15	C5010-060101	BOLT, socket-head 6x10	A118-3123	12					
41-16	C5040-006201	SCREW, pan-head 6x20	A118-3070	4					
41-17	H0031-0009-31	SEAL CAP-1BE-275	A118-3070	1					
41-18	I18-8001-30-1	CAP	A118-3123	12					
41-19	D6110-000P22	OIL-RING, 2.4x21.8	A118-3070	1					
41-20	J9811-7600-060055	BOLT, socket-head 6x55	A118-3070	2					
41-21	C5010-060401	BOLT, socket-head 6x10	A118-3070	2					
41-22	H1023-1019-47	PACKING	A118-3070	1					
41-23	I18-6210-04-1	SLEEVE	A118-3070	1					
41-24	C5035-006121	SET SCREW, DP 6x10	A118-3070	1					
41-25	C5100-000061	NUT, hex. NO. 3 6	A118-3070	1					
41-26	C5030-004061	SET SCREW FP 4x6	A118-3070	1					
41-27	C5030-004121	SET SCREW FP 4x12	A118-3070	1					
41-28	I18-6210-06	COLLAR	A118-3070	1					
41-29	C5010-060121	BOLT, socket-head 6x12	A118-3070	2					
41-30	I18-6210-75-1	PLATE	A118-3070	1					
41-31	I18-6210-76-1	DRAWING	A118-3070	1					
41-32	D6110-000P12	O-RING, 2.4x20.8	A118-3070	1					
41-33	I18-6210-74-2	BLOCK	A118-3070	1					
41-34	I18-6210-73-2	JOINT	A118-3070	1					
41-35	C5010-060121	BOLT, socket-head 6x12	A118-3070	2					
41-36	D5901-001590	BALL, steel 5/8	A118-3070	1					

OKUMA MACHINE TOOLS, INC.

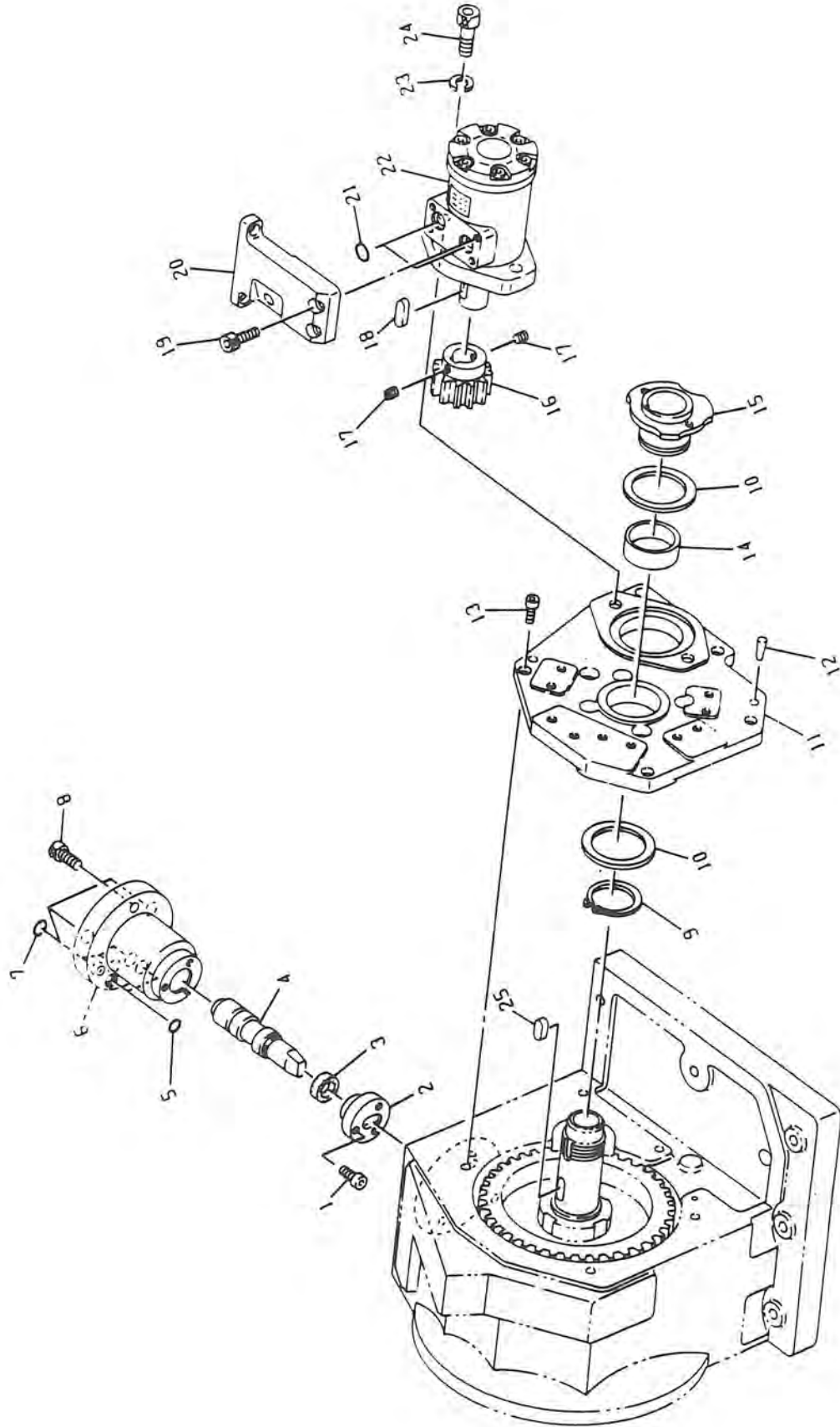
SHEET NO. 42 INDEX UNIT (2)



INDEX NO.	PART NO.	DESCRIPTION	UNIT NO.	QTY	INDEX NO.	PART NO.	DESCRIPTION	UNIT NO.	QTY
42-1	C5040-006121	SCREW, pan-head 6x12	A118-3070	4					
42-2	118-3000-09-3	GUIDE	A118-3070	1					
42-3	118-3020-06-3	CLUTCH(V12)	A118-3070	1					
42-4	C0201-080361	ITP 8x36	A118-3070	2					
42-5	C5010-100201	BOLT, socket-head 10x20	A118-3070	8					
42-6	118-3020-23-3	SHAFT	A118-3070	1					
42-7	C5170-100450	KEY, feather 10x8x45	A118-3070	2					
42-8	C5010-100251	BOLT, socket-head 10x25	A118-3070	8					
42-9	M004-MB6530DU	BEARING, DAIDO	A118-3070	1					
42-10	118-3020-04-1	FLANGE	A118-3070	1					
42-11	D6110-00G135	O-RING	A118-3070	1					
42-12	H0031-0011-87	SEAL, NOK	A118-3070	1					
42-13	118-3020-24-1	PISTON	A118-3070	1					
42-14	D6110-00P130	O-RING, 5.7x129.6	A118-3070	1					
42-15	C5022-000161	PLUG, filter eye-bolt hole 16	A118-3070	1					
42-16	118-3020-21-6	TOOL POST(V12)	A118-3070	1					
42-17	D6110-000G85	O-RING	A118-3070	1					
42-18	118-3020-35-2	FLANGE	A118-3070	1					
42-19	C5010-060161	BOLT, socket-head 6x16	A118-3070	6					
42-20	H0031-0011-87	SEAL, NOK	A118-3070	1					
42-21	118-3020-78-1	CAM	A118-3070	1					
42-22	118-3020-41-1	GEAR	A118-3070	1					
42-23	C5010-080251	BOLT, socket-head 8x25	A118-3070	4					
42-24	C0201-080321	ITP 8x32	A118-3070	2					
42-25	128-0320-20	WASHER	A118-3070	1					
42-26	128-0320-21-1	NUT	A118-3070	1					

OKUMA MACHINE TOOLS, INC.

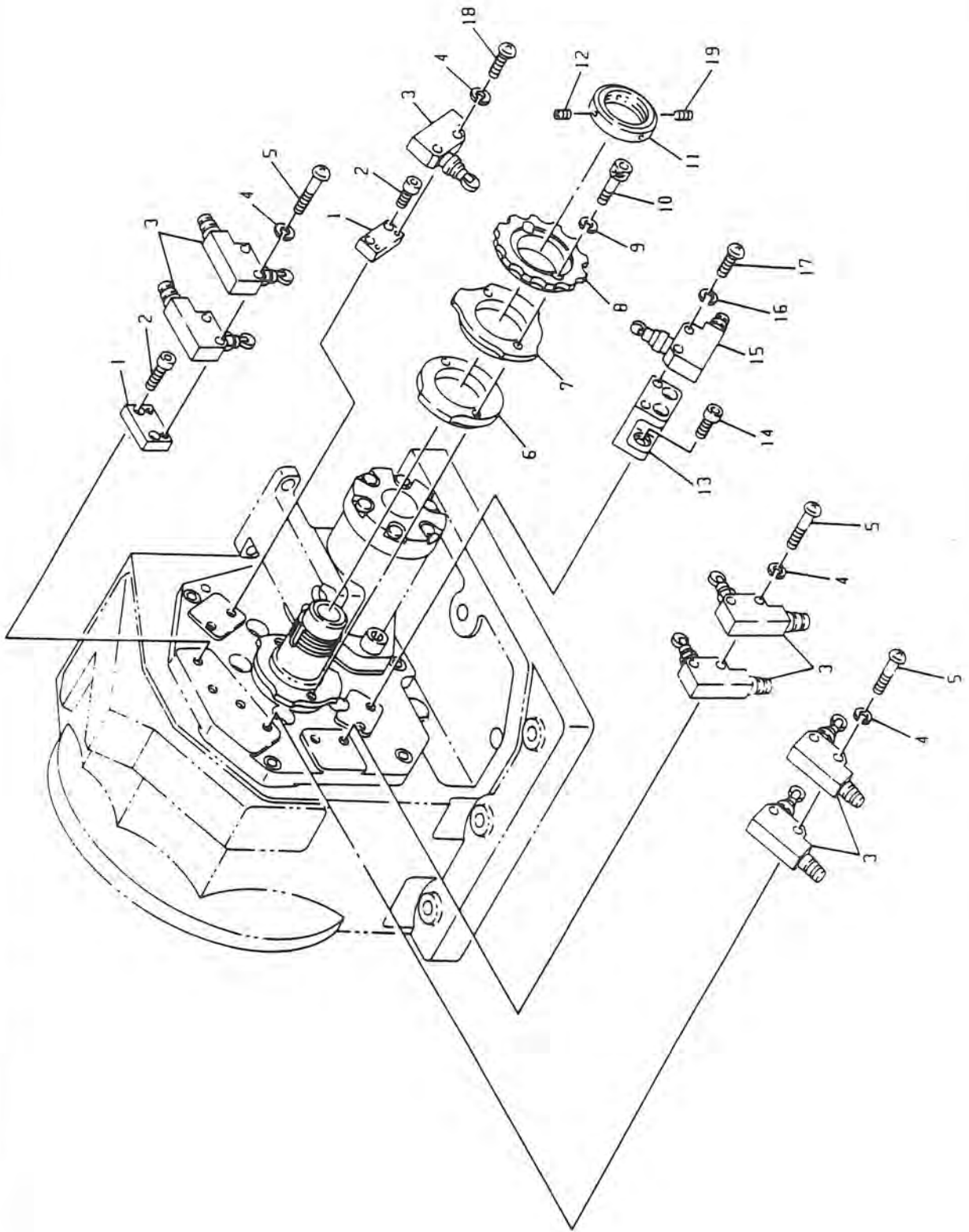
SHEET NO. 43 INDEX UNIT (3)



INDEX NO.	PART NO.	DESCRIPTION	UNIT NO.	QTY	INDEX NO.	PART NO.	DESCRIPTION	UNIT NO.	QTY
43-1	C5010-050141	BOLT, socket-head 5x14	A118-3070	3					
43-2	I18-3000-27-2	CAP	A118-3070	1					
43-3	H0031-0008-92	PACKING	A118-3070	1					
43-4	I18-3000-80-2	SPOOL	A118-3070	1					
43-5	D6110-0000P28	O-RING P28	A118-3070	1					
43-6	I18-3020-40-3	CYLINDER	A118-3070	1					
43-7	D6110-0000P9	O-RING P9	A118-3070	7					
43-8	C5010-080251	BOLT, socket-head 8x25	A118-3070	3					
43-9	C5180-000500	SNAP-RING, external 50	A118-3070	1					
43-10	M001-AS1110	BEARING INA AS1110	A118-3070	2					
		M50x70x1							
43-11	I18-3020-25-3	PLATE	A118-3070	1					
43-12	C0201-060321	ITP 6x32	A118-3070	2					
43-13	C5010-060201	BOLT, socket-head 6x20	A118-3070	5					
43-14	M004-DB5020	BUSH DB5020	A118-3070	1					
43-15	I28-0320-22-2	CAM	A118-3070	1					
43-16	I28-0320-18-2	GEAR	A118-3070	1					
43-17	C5034-006061	SET-SCREW, cup-point 6x6	A118-3070	2					
43-18	F019-0001-36	KEY 7x7x31.5	A118-3070	1					
43-19	C5010-080201	BOLT, socket-head 8x20	A118-3070	3					
43-20	I18-3020-34-1	JOINT	A118-3070	1					
43-21	F109-0000-56	O-RING NOK CO-0409A	A118-3070	2					
43-22	F019-0001-56	MOTOR H-100BA2FM-G	A118-3070	1					
43-23	C5160-000121	WASHER, spring 12	A118-3070	2					
43-24	C5010-120351	BOLT, socket-head 12x35	A118-3070	2					
43-25	C5170-070250	KEY, feather 7x7x25	A118-3070	1					

OKUMA MACHINE TOOLS, INC.

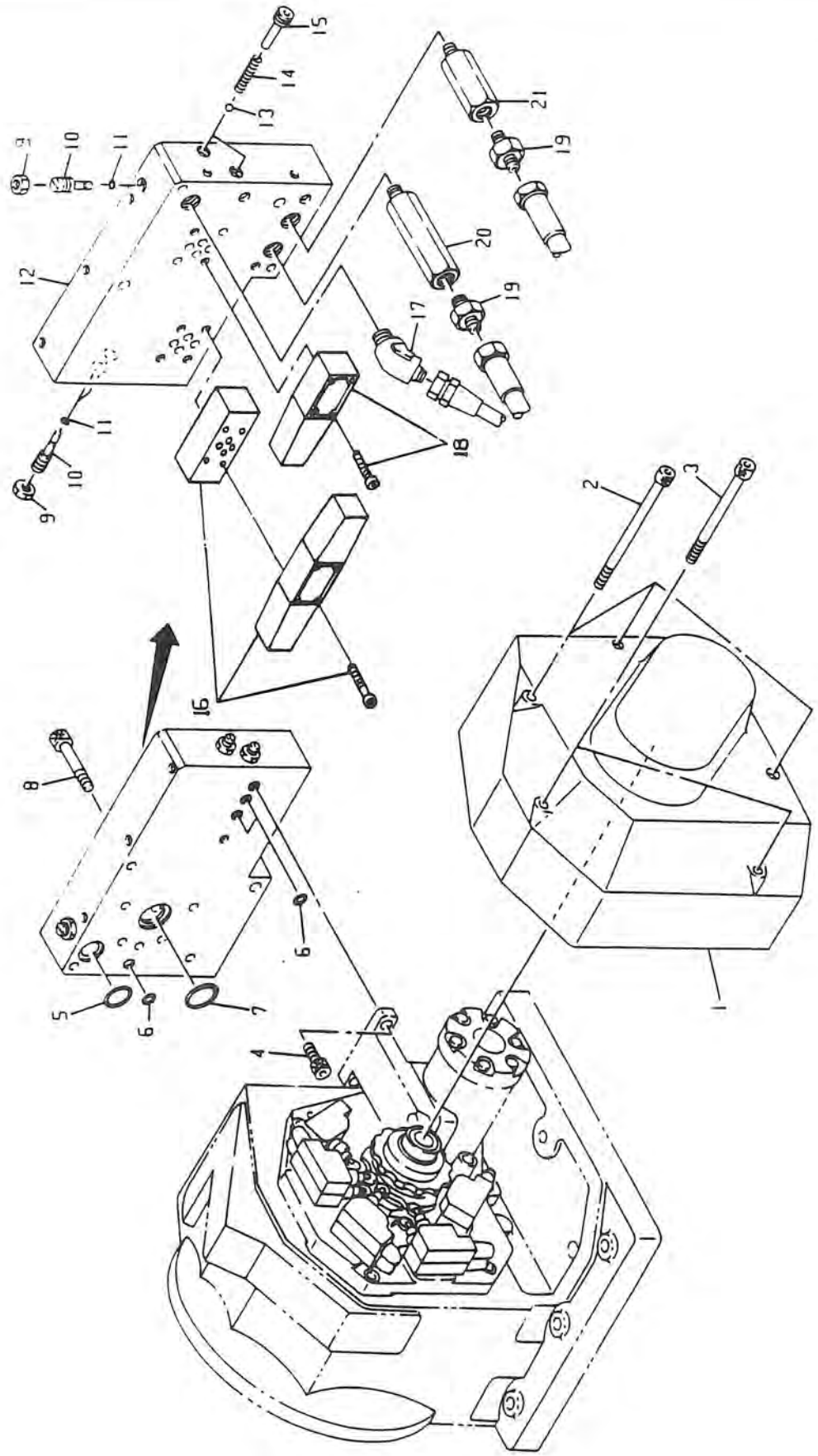
SHEET NO. 44 INDEX UNIT (4)



INDEX NO.	PART NO.	DESCRIPTION	UNIT NO.	QTY	INDEX NO.	PART NO.	DESCRIPTION	UNIT NO.	QTY
44-1	128-0320-08-1	PLATE	A118-3070	2					
44-2	C5010-060101	BOLT, socket-head 6x10	A118-3070	4					
44-3	E3019-391-017	LIMIT-SWITCH YAMATAKE SLI-A	A118-3070	7					
44-4	C5160-000041	WASHER, spring 4	A118-3070	8					
44-5	C5040-004451	SCREW, pan-head 4x45	A118-3070	6					
44-6	128-0320-23-2	CAM	A118-3070	1					
44-7	128-0320-24-1	CAM	A118-3070	1					
44-8	128-0320-25-1	CAM	A118-3070	1					
44-9	D5160-000051	WASHER, spring, for hole 5	A118-3070	2					
44-10	C5010-050301	BOLT, socket-head 5x30	A118-3070	2					
44-11	128-0320-26-3	DOG	A118-3070	1					
44-12	C5030-006061	SET-SCREW, flat-point 6x6	A118-3070	3					
44-13	128-0320-09-2	SUPPORT	A118-3070	1					
44-14	C5010-060161	BOLT, socket-head 6x16	A118-3070	2					
44-15	E3019-891-018	LIMIT-SWITCH YAMATAKE SLI-D	A118-3070	2					
44-16	C5160-000041	WASHER, spring 4	A118-3070	2					
44-17	C5040-004251	SCREW, pan-head 4x25	A118-3070	2					
44-17	C5040-004251	SCREW, pan-head 4x25	A118-3070	2					
44-18	c5040-004251	SCREW, pan-head 4x25	A118-3070	2					
44-18	C5040-004251	SCREW, pan-head 4x25	A118-3070	2					
44-19	C5036-006081	SET-SCREW, drilled head, FP 6x8	A118-3070	1					
44-19	C5036-006081	SET-SCREW, drilled head, FP	A118-3070	1					

OKUMA MACHINE TOOLS, INC.

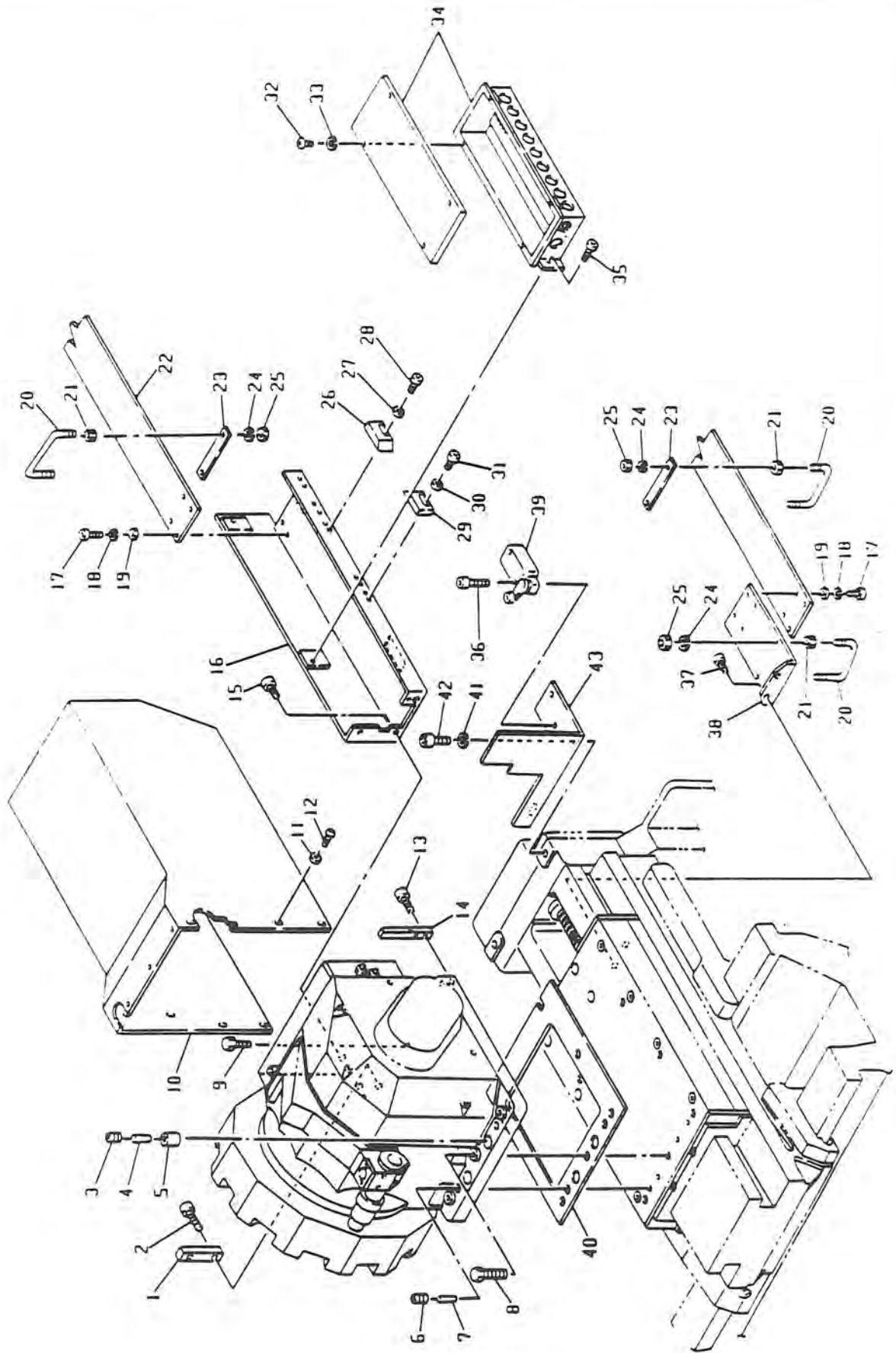
SHEET NO. 45 INDEX UNIT (5)



INDEX NO.	PART NO.	DESCRIPTION	UNIT NO.	QTY	INDEX NO.	PART NO.	DESCRIPTION	UNIT NO.	QTY
45-1	118-3020-22	COVER	A118-3070	1					
45-2	D5010-061351	BOLT, socket-head 6x135	A118-3070	3					
45-3	D5010-061051	BOLT, socket-head 6x105	A118-3070	2					
45-4	C5010-080201	BOLT, socket-head 8x20	A118-3070	2					
45-5	D6110-000P22	O-RING 2.4x21.8	A118-3070	1					
45-6	D6110-0000P9	O-RING 1.9x8.8	A118-3070	3					
45-7	D6110-000P28	O-RING 3.5x27.7	A118-3070	1					
45-8	C5010-080601	BOLT, socket-head 8x60	A118-3070	4					
45-9	C5100-000121	NUT, hex.NO.3 12	A118-3070	3					
45-10	118-3000-34-1	VALVE	A118-3070	3					
45-11	D6110-000P5	O-RING P5	A118-3070	3					
45-12	118-3020-33-3	MANIFOLD	A118-3070	1					
45-13	D5901-000950	BALL, steel 3/8	A118-3070	2					
45-14	M100-08088-04423	SPRING, compression	A118-3070	2					
45-15	118-3000-53-2	BOLT	A118-3070	2					
45-16	KF0-0049-01	VALVE, solenoid, PARKER	A118-3070	1					
45-17	D7870-030042	D1VW8BJWF, INDEX JOINT, hose 45 ELBOW 3/4	A118-6200	1					
45-18	KF0-0048-02	VALVE, solenoid, PARKER	A118-3070	1					
45-19	D7870-010032	D1VW9HJWF70X4364, CLAMP	A118-3070	2					
45-20	118-3000-52	NIPPLE JOINT	A118-3070	1					
45-21	118-3000-51	JOINT	A118-3070	1					

OKUMA MACHINE TOOLS, INC.

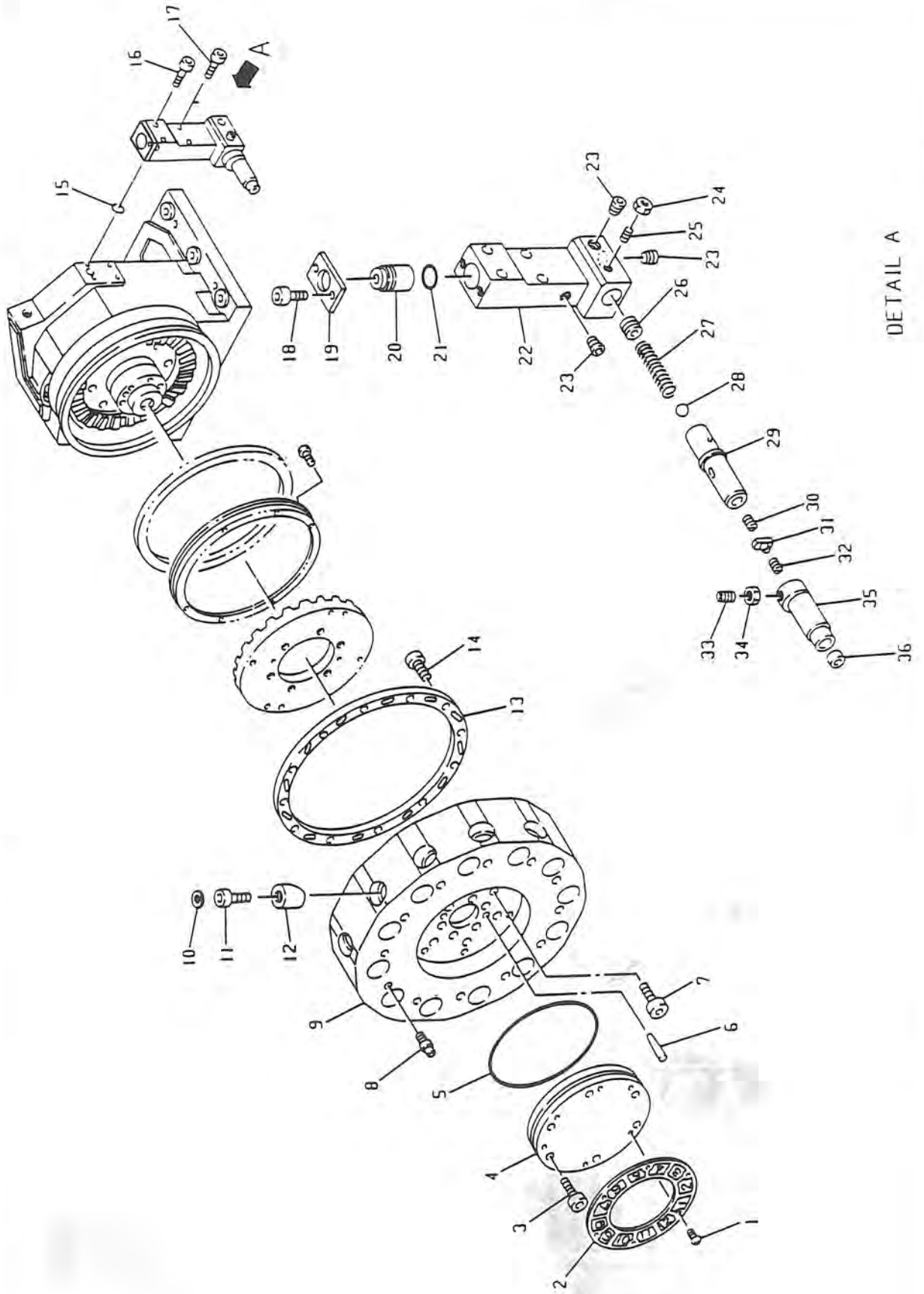
SHEET NO. 46 INDEX INSTALLATION AND STROKE SWITCH



INDEX NO.	PART NO.	DESCRIPTION	UNIT NO.	QTY	INDEX NO.	PART NO.	DESCRIPTION	UNIT NO.	QTY
46-1	118-3020-29	BLOCK	A118-3070	1	46-38	118-3000-41-2	SUPPORT	A118-3070	1
46-2	C5010-060201	BOLT, socket-head 6x20	A118-3070	2	46-39	E3012-891-001	LIMIT-SWITCH	A118-3070	1
46-3	C5034-012121	SET-SCREW, cup-point 12x12	A118-3070	2	46-41	C5160-000061	ILSI-J WASHER, spring 6	A118-3070	2
46-4	C0201-080321	ITP 8x32	A118-3070	2	46-42	C5010-060101	BOLT, socket-head 6x10	A118-3070	2
46-5	127-3301-17	BUSHING	A118-3070	2	46-43	118-3020-84-1	SUPPORT	A118-3070	1
46-6	C5034-012121	SET-SCREW, cup-point 12x12	A118-3070	3	46-46	118-3000-76-1	LINER	A118-3070	1
46-7	C0201-080451	ITP 8x45	A118-3070	2					
46-8	C5000-120551	BOLT, hex-head 12x55	A118-3070	5					
46-9	C5000-120501	BOLT 12x50	A118-3070	1					
46-10	KW118-3000-78-1	COVER	A118-3070	1					
46-11	C5140-000051	WASHER, polished 5	A118-3070	11					
46-12	C5000-050081	BOLT, hex-head 5x8	A118-3070	11					
46-13	C5010-060201	BOLT, socket-head 6x20	A118-3070	2					
46-14	118-3020-28	SHAFT	A118-3070	1					
46-15	C5010-080141	BOLT, socket-head 8x14	A118-3070	3					
46-16	118-9203-23-5	SUPPORT	A118-3070	1					
46-17	C5010-050101	BOLT, socket-head 5x10	A118-3070	8					
46-18	C5160-000051	WASHER, spring 5	A118-3070	8					
46-19	C5140-000051	WASHER, polished 5	A118-3070	8					
46-20	KW118-3000-39-00	RETAINER, pipe	A118-3070	4					
46-21	C5100-000051	NUT, hex.NO.3 5	A118-3070	12					
46-22	M109-1022-03	PLATE SUP3 90x778x0.8	A118-3070	1					
46-23	118-3000-40-1	PLATE	A118-3070	6					
46-24	C5160-000051	WASHER, spring 5	A118-3070	4					
46-25	C5110-000051	NUT, hex.NO.4 5	A118-3070	4					
46-26	118-3000-37	DOG	A118-3070	1					
46-27	C5140-000061	WASHER, polished 6	A118-3070	2					
46-28	C5010-060161	BOLT, socket-head 6x16	A118-3070	2					
46-29	118-3000-36	DOG	A118-3070	1					
46-30	C5140-000061	WASHER, polished 6	A118-3070	2					
46-31	C5010-060161	BOLT, socket-head 6x16	A118-3070	2					
46-32	C5040-004081	SCREW, pan-head 4x8	A118-3070	4					
46-33	C5160-000041	WASHER, spring 4	A118-3070	4					
46-34	H1089-1000-45	TERMINAL BOX	A118-3070	1					
46-35	C5010-060141	BOLT, socket-head 6x14	A118-3070	2					
46-36	C5010-050351	BOLT, socket-head 5x35	A118-3070	2					
46-37	C5010-080161	BOLT, socket-head 8x16	A118-3070	2					

OKUMA MACHINE TOOLS, INC.

SHEET NO. 47 VDI TURRET SYSTEM

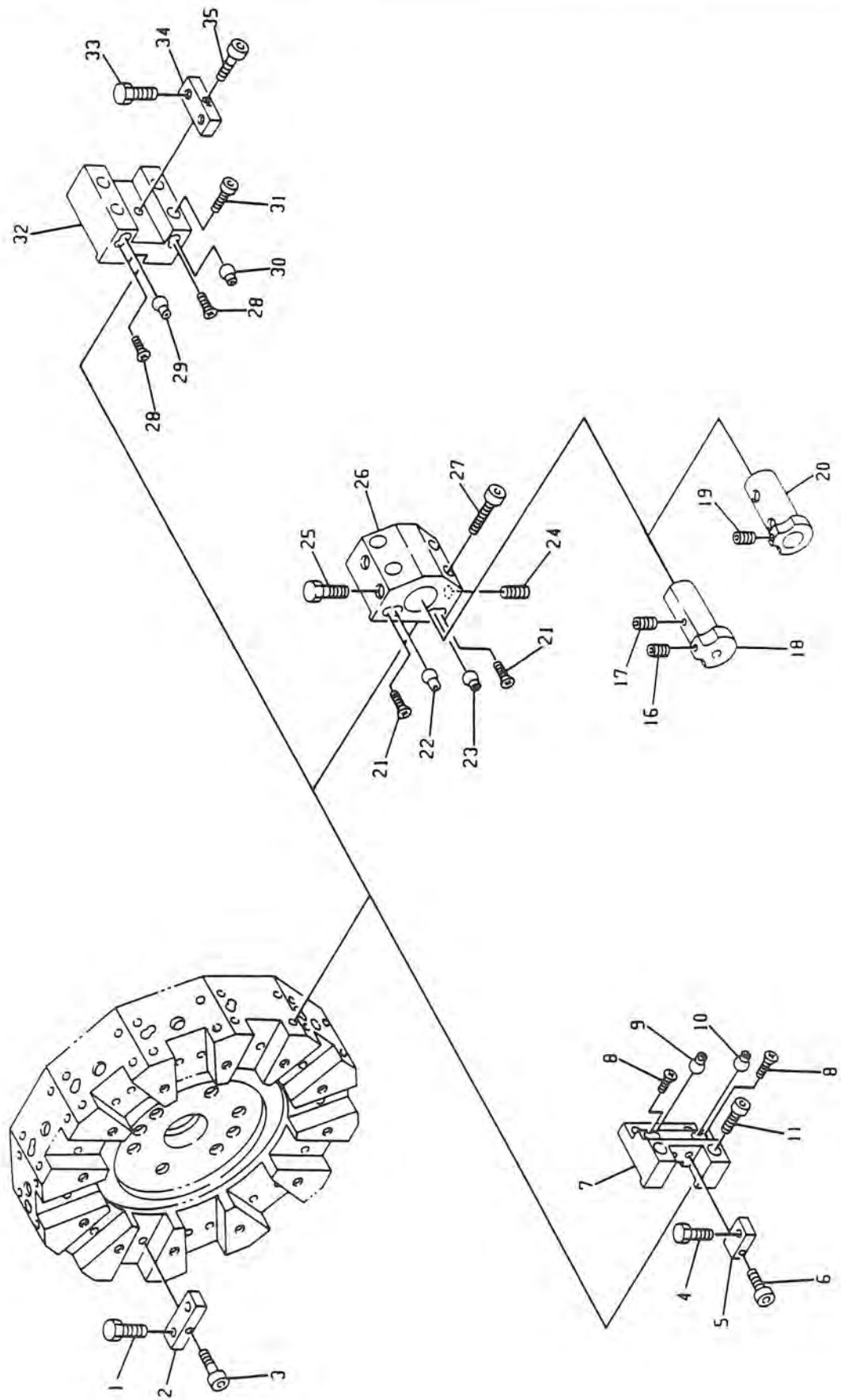


DETAIL A

INDEX NO.	PART NO.	DESCRIPTION	UNIT NO.	QTY	INDEX NO.	PART NO.	DESCRIPTION	UNIT NO.	QTY
47-1	C5040-006081	SCREW, pan-head 6x8	A118-3125	6					
47-2	H1040-1028-41	NAMEPLATE M180xM110x0.8	A118-3125	1					
47-3	C5010-080401	BOLT, socket-head 8x40	A118-3125	6					
47-4	I18-3021-03-1	CAP	A118-3125	1					
47-5	D6110-00G190	O-RING 5.7x189.3	A118-3125	1					
47-6	C0201-080361	ITP 8x36	A118-3125	2					
47-7	C5010-100451	BOLT, socket-head 10x45	A118-3125	12					
47-8	I27-3320-26-1	PIN	A118-3125	12					
47-9	I18-3021-01-3	TURRET	A118-3125	1					
47-10	H1000-0002-47	SNAP-RING, internal IWATA	A118-3125	12					
47-11	C5010-120401	BOLT, socket-head 12x40	A118-3125	12					
47-12	I27-3320-08	TOGGLE	A118-3125	12					
47-13	I18-3021-02	COLLAR	A118-3125	1					
47-14	C5010-060161	BOLT, socket-head 6x16	A118-3125	12					
47-15	D6110-000P22	O-RING P22	A118-3125	1					
47-16	C5010-060401	BOLT, socket-head 6x40	A118-3125	2					
47-17	C5010-060351	BOLT, socket-head 6x35	A118-3125	2					
47-18	C5010-060121	BOLT, socket-head 6x12	A118-3125	2					
47-19	I18-6210-75-1	PLATE	A118-3125	1					
47-20	I18-6210-76-1	DRAWING	A118-3125	1					
47-21	D6110-000P21	O-RING 2.4x20.8	A118-3125	1					
47-22	I18-6210-82	JOINT	A118-3125	1					
47-23	C7861-000012	PLUG, socket-head 1/4	A118-3125	3					
47-24	C5100-000051	NUT, hex.NO.3 5	A118-3125	1					
47-25	C5030-005081	SET-SCREW, flat-point 5x8	A118-3125	1					
47-26	I24-0730-05	HOLDER, compression spring	A118-3125	1					
47-27	M109-1015-94	SPRING, compression	A118-3125	1					
47-28	D5901-001110	BALL, steel 7/16	A118-3125	1					
47-29	I27-6730-09	SHAFT	A118-3125	1					
47-30	C5030-004121	SET-SCREW, flat-point 4x12	A118-3125	1					
47-31	I27-6730-18-1	COLLAR	A118-3125	1					
47-32	C5030-004061	SET-SCREW, flat-point 4x6	A118-3125	1					
47-33	C5031-006121	SET-SCREW, slotted, DP 6x12	A118-3125	1					
47-34	C5110-000061	NUT, hex.NO.4 6	A118-3125	1					
47-35	I27-6730-10-2	SLEEVE	A118-3125	1					
47-36	H1023-1015-19	PACKING	A118-3125	1					

OKUMA MACHINE TOOLS, INC.

SHEET NO. 48 TOOLING SYSTEM (I)



INDEX NO.	PART NO.	DESCRIPTION	UNIT NO.	QTY	INDEX NO.	PART NO.	DESCRIPTION	UNIT NO.	QTY
48-1	127-3300-26	BOLT	A118-3123	24					
48-2	118-3100-04-1	BLOCK B	A118-3123	12					
48-3	C5010-060301	BOLT, socket-head 6x30	A118-3123	12					
48-4	127-3300-26	BOLT	A118-8007	1					
48-5	118-8000-03-1	BLOCK	A118-8007	1					
48-6	C5010-060301	BOLT, socket-head 6x30	KU0-0063-00	1					
48-7	K118-8000-02-00	HOLDER I	KU0-0063-00	1					
48-8	C5050-006141	SCREW, flat-head 6x14	KU0-0063-00	2					
48-9	119-3100-09-3	NOZZLE	KU0-0063-00	1					
48-10	118-8001-30-1	CAP	KU0-0063-00	1					
48-11	C5010-120351	BOLT, socket-head 12x35	KU0-0063-00	4					
48-16	J9811-7720-100012	SET-SCREW, dog-point 10x12	KU0-0066-00	1					
48-17	C5036-008081	SET-SCREW, drilled head, FP	KU0-0066-00	1					
48-18	118-8002-99	SLEEVE 3/4"	KU0-0066-00	1					
48-19	C5035-006121	SET-SCREW, dog-point 6x12	KU0-0065-00	1					
48-20	118-8003-01	SLEEVE 1"	KU0-0065-00	1					
48-21	C5050-006141	SCREW, flat-head 6x14	KU0-0062-00	2					
48-22	119-3100-08-2	NOZZLE	KU0-0062-00	1					
48-23	118-8001-30-1	CAP	KU0-0062-00	1					
48-24	H1001-0008-61	SET-SCREW, drilled head, flat	KU0-0062-00	2					
48-25	K118-8000-01-00	BOLT	KU0-0062-00	2					
48-26	K118-8000-01-00	HOLDER	KU0-0062-00	1					
48-27	C5010-120551	BOLT, socket-head 12x55	KU0-0062-00	4					
48-28	C5050-006141	SCREW, flat-head 6x14	KU0-0064-00	2					
48-29	119-3100-09-3	NOZZLE	KU0-0064-00	1					
48-30	118-8001-30-1	CAP	KU0-0064-00	1					
48-31	C5010-120351	BOLT, socket-head 12x35	KU0-0064-00	4					
48-32	K118-8000-03-00	HOLDER	KU0-0064-00	1					
48-33	127-3300-26	BOLT	KU0-0064-00	2					
48-34	118-3100-04-1	BLOCK	KU0-0064-00	1					
48-35	C5010-060301	BOLT, socket-head 6x30	KU0-0064-00	1					

OKUMA MACHINE TOOLS, INC.

INDEX GROUP

PART NO. LIST

Part No.	Index	Qty	Part No.	Index	Qty	Part No.	Index	Qty
118-3000-09-3	42-2	1	118-6210-04-1	41-23	1	128-0320-23-2	44-6	1
118-3000-11-2	41-9	1	118-6210-05	41-38	1	128-0320-24-1	44-7	1
118-3000-27-2	43-2	1	118-6210-06	41-28	1	128-0320-25-1	44-8	1
118-3000-34-1	45-10	3	118-6210-73-2	41-34	1	128-0320-26-3	44-11	1
118-3000-36	46-29	1	118-6210-74-2	41-33	1	C0201-060321	43-12	2
118-3000-37	46-26	1	118-6210-75-1	41-30	1	C0201-080321	46-4	2
118-3000-40-1	46-23	6	118-6210-75-1	47-19	1	C0201-080321	42-24	2
118-3000-41-2	46-38	1	118-6210-76-1	47-20	1	C0201-080361	41-12	2
118-3000-51	45-21	1	118-6210-76-1	41-31	1	C0201-080361	42-4	2
118-3000-52	45-20	1	118-6210-82	47-22	1	C0201-080361	47-6	2
118-3000-53-2	45-15	2	118-8000-03-1	48-5	1	C0201-080451	46-7	2
118-3000-76-1	46-46	1	118-8001-30-1	48-10	1	C5000-050081	46-12	11
118-3000-80-2	43-4	1	118-8001-30-1	41-18	12	C5000-120501	46-9	1
118-3020-04-1	42-10	1	118-8001-30-1	48-23	1	C5000-120551	46-8	5
118-3020-05-54	41-8	1	118-8001-30-1	48-30	1	C5010-050101	46-17	8
118-3020-06-3	42-3	1	118-8002-99	48-18	1	C5010-050141	43-1	3
118-3020-21-6	42-16	1	118-8003-01	48-20	1	C5010-050301	44-10	2
118-3020-22	45-1	1	118-9203-23-5	46-16	1	C5010-050351	46-36	2
118-3020-23-3	42-6	1	119-3100-08-2	48-22	1	C5010-060101	44-2	4
118-3020-24-1	42-13	1	119-3100-09-3	48-9	1	C5010-060101	46-42	2
118-3020-25-3	43-11	1	119-3100-09-3	48-29	1	C5010-060101	41-15	12
118-3020-28	46-14	1	119-3100-09-3	41-5	12	C5010-060121	41-35	2
118-3020-29	46-1	1	124-0730-05	47-26	1	C5010-060121	41-29	2
118-3020-33-3	45-12	1	127-3300-26	48-1	24	C5010-060121	47-18	2
118-3020-34-1	43-20	1	127-3300-26	48-4	1	C5010-060141	46-35	2
118-3020-35-2	42-18	1	127-3300-26	48-33	2	C5010-060161	44-14	2
118-3020-40-3	43-6	1	127-3301-17	46-5	2	C5010-060161	46-31	2
118-3020-41-1	42-22	1	127-3320-08	47-12	12	C5010-060161	42-19	6
118-3020-78-1	42-21	1	127-3320-26-1	47-8	12	C5010-060161	46-28	2
118-3020-84-1	46-43	1	127-6730-09	47-29	1	C5010-060161	47-14	12
118-3021-01-3	47-9	1	127-6730-10-2	47-35	1	C5010-060201	46-2	2
118-3021-02	47-13	1	127-6730-18-1	47-31	1	C5010-060201	46-13	2
118-3021-03-1	47-4	1	128-0320-08-1	44-1	2	C5010-060201	43-13	5
118-3100-03-54	41-14	12	128-0320-09-2	44-13	1	C5010-060301	48-35	1
118-3100-04-1	48-2	12	128-0320-18-2	43-16	1	C5010-060301	48-3	12
118-3100-04-1	48-34	1	128-0320-20	42-25	1	C5010-060301	48-6	1
118-3120-02	41-2	1	128-0320-21-1	42-26	1	C5010-060351	47-17	2
118-3122-01-8	41-7	1	128-0320-22-2	43-15	1	C5010-060401	41-21	2

INDEX GROUP

PART NO. LIST

Part No.	Index	Qty	Part No.	Index	Qty	Part No.	Index	Qty
C5010-060401	47-16	2	C5040-004451	44-5	6	D6110-0000P9	43-7	7
C5010-080141	46-15	3	C5040-006081	41-10	6	D6110-0000P9	45-6	3
C5010-080161	77-7	2	C5040-006081	47-1	6	D6110-000G85	42-17	1
C5010-080161	46-37	2	C5040-006121	42-1	4	D6110-000P12	41-32	1
C5010-080201	43-19	3	C5040-006201	41-16	4	D6110-000P21	47-21	1
C5010-080201	45-4	2	C5050-006141	48-8	2	D6110-000P22	47-15	1
C5010-080251	42-23	4	C5050-006141	41-6	24	D6110-000P22	41-19	1
C5010-080251	43-8	3	C5050-006141	48-21	2	D6110-000P22	45-5	1
C5010-080401	47-3	6	C5050-006141	48-28	2	D6110-000P28	45-7	1
C5010-080401	41-11	4	C5100-000051	46-21	12	D6110-000P5	45-11	3
C5010-080601	45-8	4	C5100-000051	47-24	1	D6110-00G135	42-11	1
C5010-100201	42-5	8	C5100-000061	41-25	1	D6110-00G150	41-3	1
C5010-100251	42-8	8	C5100-000121	45-9	3	D6110-00G190	47-5	1
C5010-100451	41-13	12	C5110-000051	46-25	4	D6110-00P130	42-14	1
C5010-100451	47-7	12	C5110-000061	47-34	1	D7870-010032	45-19	2
C5010-120351	48-11	4	C5140-000051	46-11	11	D7870-030042	45-17	1
C5010-120351	43-24	2	C5140-000051	46-19	8	E3012-891-001	46-39	1
C5010-120351	48-31	4	C5140-000061	46-27	2	E3019-391-017	44-3	7
C5010-120401	47-11	12	C5140-000061	46-30	2	E3019-891-018	44-15	
C5010-120551	48-27	4	C5160-000041	46-33	4	F019-0001-36	43-18	1
C5022-000161	42-15	1	C5160-000041	44-16	2	F019-0001-56	43-22	1
C5030-004061	47-32	1	C5160-000041	44-4	8	F109-0000-56	43-21	2
C5030-004061	41-26	1	C5160-000051	46-18	8	H0031-0008-92	43-3	1
C5030-004121	47-30	1	C5160-000051	46-24	4	H0031-0009-31	41-17	1
C5030-004121	41-27	1	C5160-000061	46-41	2	H0031-0011-87	42-20	1
C5030-005081	47-25	1	C5160-000121	43-23	2	H0031-0011-87	42-12	1
C5030-006061	44-12	3	C5170-070250	43-25	1	H1000-0002-47	47-10	12
C5031-006121	47-33	1	C5170-100450	42-7	2	H1001-0008-61	48-24	2
C5034-006061	43-17	2	C5180-000500	43-9	1	H1023-1015-19	47-36	1
C5034-012121	46-3	2	C7861-000012	47-23	3	H1023-1019-47	41-22	1
C5034-012121	46-6	3	C7861-000012	41-4	12	H1040-1028-41	47-2	1
C5035-006121	48-19	1	D5010-061051	45-3	2	H1040-1028-41	41-1	1
C5035-006121	41-24	1	D5010-061351	45-2	3	H1089-1000-45	46-34	1
C5036-006081	44-19	1	D5160-000051	44-9	2	J9811-7600-060055	41-20	2
C5036-008081	48-17	1	D5901-000950	45-13	2	J9811-7720-100012	48-16	1
C5040-004081	46-32	4	D5901-001110	47-28	1	K118-8000-01-00	48-25	2
C5040-004251	44-18	2	D5901-001590	41-36	1	K118-8000-01-00	48-26	1
C5040-004251	44-17	2	D6110-0000P28	43-5	1	K118-8000-02-00	48-7	1

INDEX GROUP

PART NO. LIST

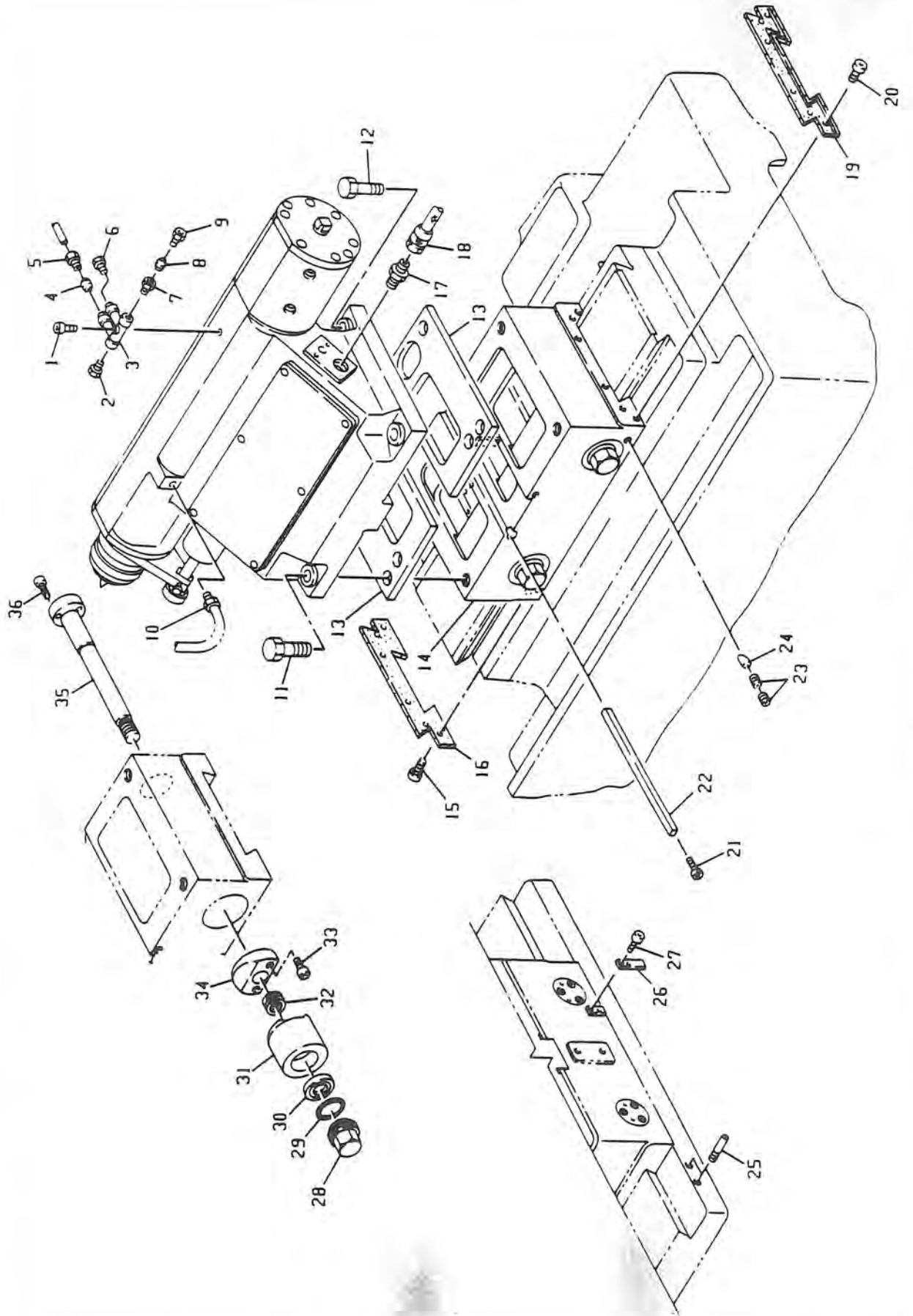
Part No.	Index	Qty	Part No.	Index	Qty	Part No.	Index	Qty
K118-8000-03-00	48-32	1						
KF0-0048-02	45-18	1						
KF0-0049-01	45-16	1						
KW118-3000-39-00	46-20	4						
KW118-3000-78-1	46-10	1						
M001-AS1110	43-10	2						
M004-DB5020	43-14	1						
M004-MB6530DU	42-9	1						
M100-08088-04423	45-14	2						
M109-1015-94	47-27	1						
M109-1021-78	41-37	1						
M109-1022-03	46-22	1						

CONTENTS
LNC8

4. TAILSTOCK GROUP

<u>SHEET NO.</u>	<u>ASSEMBLY NAME</u>	<u>PAGE</u>
(51)	TAILSTOCK INSTALLATION	72
(53)	TAILSTOCK QUILL	74

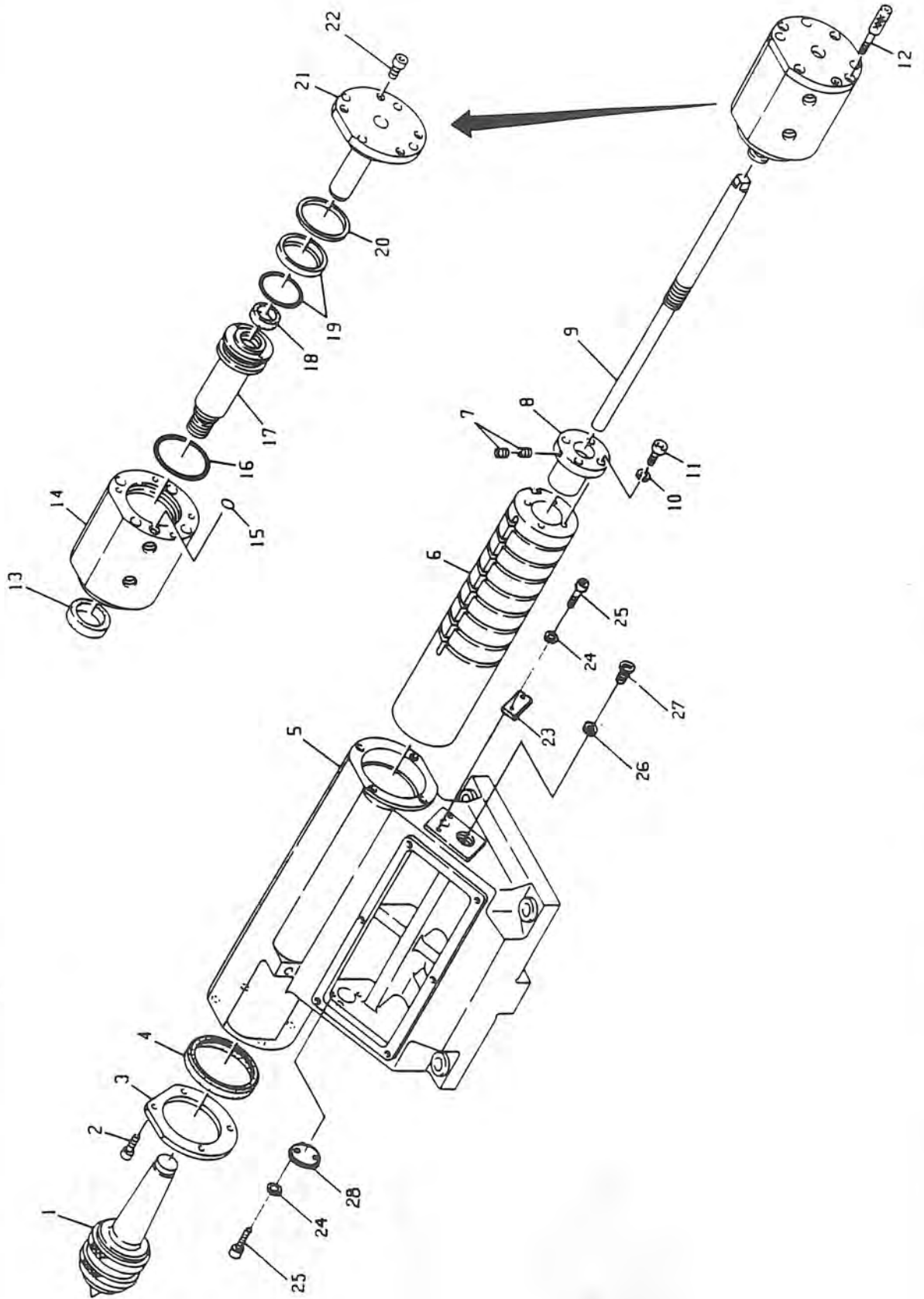
SHEET NO. 51 TAILSTOCK INSTALLATION



INDEX NO.	PART NO.	DESCRIPTION	UNIT NO.	QTY	INDEX NO.	PART NO.	DESCRIPTION	UNIT NO.	QTY
51-1	C5010-060121	BOLT, socket-head 6x12	A118-4012	1					
51-2	H0012-0004-96	SEAL PLUG PG-12	A118-4012	1					
51-3	H0012-0004-95	PLUNGER SHOWA DPB-22-0.1	A118-4012	1					
51-4	H0012-0000-89	SLEEVE PB	A118-4010	1					
51-5	H0012-0006-29	SEAL PLUG	A118-4012	1					
51-6	H0012-0000-88	PLUG PA SHOWA PA-4	A118-4012	1					
51-7	H0012-0004-97	NIPPLE PD SHOWA PD-612	A118-4012	1					
51-8	H0012-0001-11	SLEEVE PB SHOWA PG-6	A118-4012	1					
51-9	H0012-0001-12	PLUG PA	A118-4012	1					
51-10	D2781-000402	JOINT, pipe NTN PA-4-PT 1/8	A118-4012	1					
51-11	C5000-160601	BOLT 16x60	A118-4012	2					
51-12	C5000-160551	BOLT 16x55	A118-4012	2					
51-13	118-4100-41-3	LINER	A118-4005	2					
51-14	118-4001-49	BASE, lower	A118-4005	1					
51-15	C5010-050081	BOLT, socket-head 5x8	A118-4005	6					
51-16	H1023-0005-72	WIPER	A118-4005	1					
51-17	X	JOINT		1					
51-18	X	CONNECTOR		1					
51-19	H1023-0005-73	WIPER BANDO	A118-4005	1					
51-20	C5010-050081	BOLT, socket-head 5x8	A118-4005	6					
51-21	C5029-000061	BOLT, gib 6	A118-4005	1					
51-22	118-4000-41	GIB	A118-4005	1					
51-23	J9811-7700-12002	SET-SCREW, drilled head, FP	A118-4005	4					
51-24	118-4080-02	BLOCK	A118-4005	1					
51-25	D5089-060151	SCREW, pin 6x15	A118-4005	1					
51-26	118-4000-18-2	PLATE	A118-4005	1					
51-27	C5010-060161	BOLT, socket-head 6x16	A118-4005	2					
51-28	118-4080-06-1	NUT	A118-4005	2					
51-29	D6110-000P36	O-RING 3.5x35.7	A118-4005	2					
51-30	M001-81105T2	BEARING 81105	A118-4005	2					
51-31	118-4080-05-2	BLOCK, clamp	A118-4005	2					
51-32	M101-20270-01303	SPRING, compression, setting	A118-4005	2					
51-33	C5010-080201	BOLT, socket-head 8x20	A118-4005	4					
51-34	118-4080-04-2	BLOCK	A118-4005	2					
51-35	118-4080-03-2	SHAFT	A118-4005	2					
51-36	C5010-080201	BOLT, socket-head 8x20	A118-4005	6					

OKUMA MACHINE TOOLS, INC.

SHEET NO. 53 TAILSTOCK QUILL



INDEX NO.	PART NO.	DESCRIPTION	UNIT NO.	QTY	INDEX NO.	PART NO.	DESCRIPTION	UNIT NO.	QTY
53-1	T009-020-000-3	CENTER, revolving MT.NO.5	A121-6000	1					
53-2	C5010-060141	BOLT, socket-head 6x14	A118-4000	4					
53-3	118-4000-69	CAP	A118-4000	1					
53-4	H0031-0009-35	SEAL DK1 FD3913A0	A118-4000	1					
53-5	118-4001-08-3	TAILSTOCK	A118-4030	1					
53-5	118-4001-08-3	TAILSTOCK	A118-4012	1					
53-6	118-4000-68-1	SLEEVE	A118-4020	1					
53-7	C5030-006081	SET-SCREW, flat-point 6x8	A118-4000	2					
53-8	118-4000-37-3	CAP	A118-4000	1					
53-9	118-4000-72	SHAFT	A118-4020	1					
53-10	D5160-000061	WASHER, spring, for hole 6	A118-4000	4					
53-11	C5010-060161	BOLT, socket-head 6x16	A118-4000	4					
53-12	D5015-400801	BOLT, socket-head, Long	A118-4000	4					
53-13	H0031-0008-86	M8x40x80 PACKING CU0497K0 NOK	A118-4000	1					
53-14	118-4000-66-3	USH CYLINDER	A118-4000	1					
53-15	D6110-000P10	O-RING 1.9x9.8	A118-4000	1					
53-16	D6110-000G70	O-RING G70	A118-4000	1					
53-17	118-4000-71	PISTON	A118-4000	1					
53-18	H0031-0008-85	PACKING NOK USH CU 032	A118-4000	1					
53-19	H0031-0008-83	OKO CAP SEAL CAP-IBE-55	A118-4000	1					
53-20	H0031-0008-84	PISTON RING M65x2.5x2.7	A118-4000	1					
53-21	118-4000-67-3	CAP	A118-4000	1					
53-22	C5010-080201	BOLT, socket-head 8x20	A118-4000	4					
53-23	118-4001-10	PLATE	A118-4010	1					
53-24	C5160-000061	WASHER, spring 6	A118-4010	2					
53-25	C5010-060141	BOLT, socket-head 6x14	A118-4010	2					
53-26	D7867-263635	GASKET, 26.5	A118-4010	1					
53-27	D7866-000043	PLUG, G22(PF3/4)	A118-4010	1					
53-28	118-4001-09	PLATE	A118-4010	1					

OKUMA MACHINE TOOLS, INC.

TAILSTOCK GROUP

PART NO. LIST

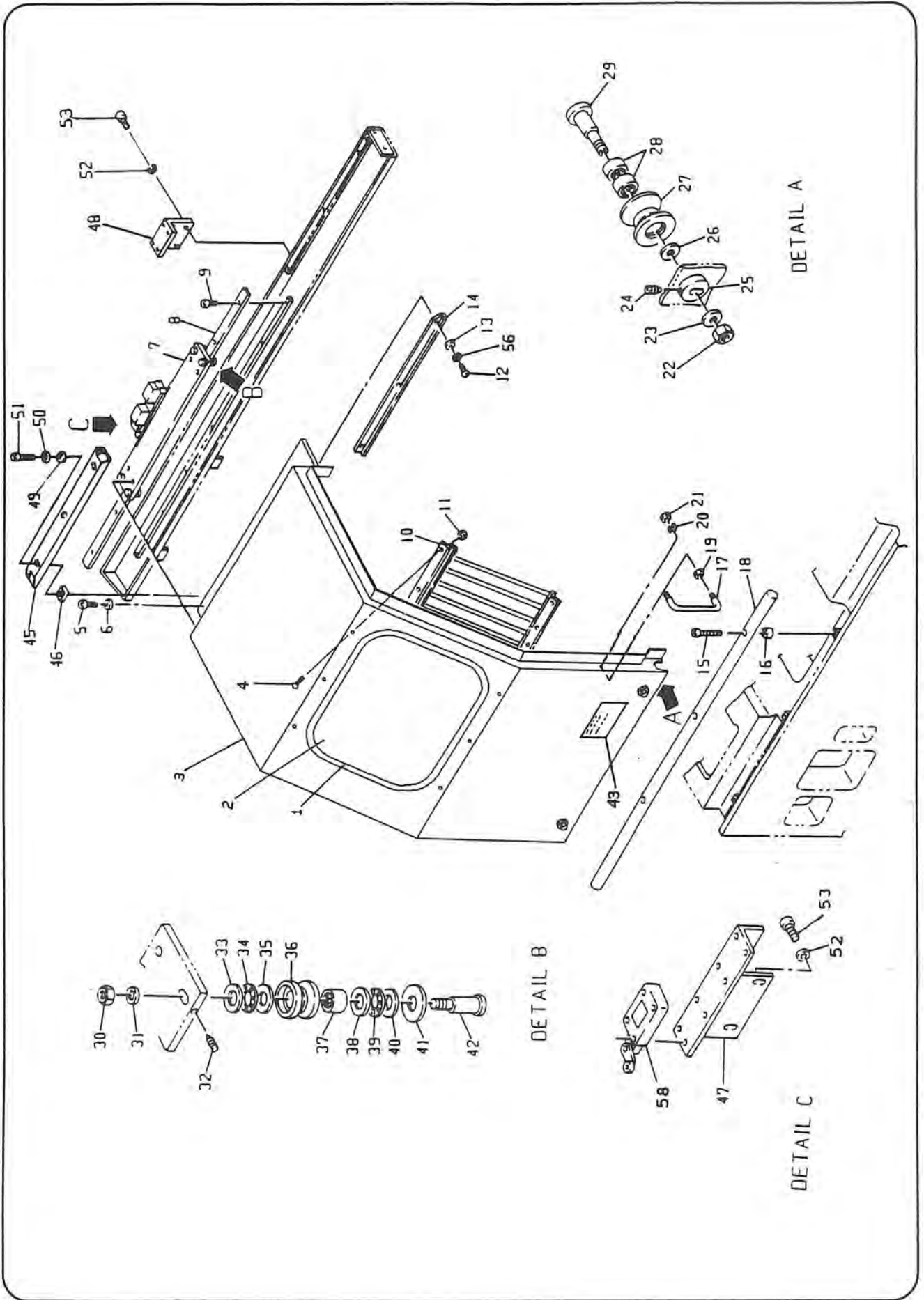
Part No.	Index	Qty	Part No.	Index	Qty	Part No.	Index	Qty
118-4000-18-2	51-26	1	D2781-000402	51-10	1			
118-4000-37-3	53-8	1	D5015-400801	53-12	4			
118-4000-41	51-22	1	D5089-060151	51-25	1			
118-4000-66-3	53-14	1	D5160-000061	53-10	4			
118-4000-67-3	53-21	1	D6110-000G70	53-16	1			
118-4000-68-1	53-6	1	D6110-000P10	53-15	1			
118-4000-69	53-3	1	D6110-000P36	51-29	2			
118-4000-71	53-17	1	D7866-000043	53-27	1			
118-4000-72	53-9	1	D7867-263635	53-26	1			
118-4001-08-3	53-5	1	H0012-0000-88	51-6	1			
118-4001-08-3	53-5	1	H0012-0000-89	51-4	1			
118-4001-09	53-28	1	H0012-0001-11	51-8	1			
118-4001-10	53-23	1	H0012-0001-12	51-9	1			
118-4001-49	51-14	1	H0012-0004-95	51-3	1			
118-4080-02	51-24	1	H0012-0004-96	51-2	1			
118-4080-03-2	51-35	2	H0012-0004-97	51-7	1			
118-4080-04-2	51-34	2	H0012-0006-29	51-5	1			
118-4080-05-2	51-31	2	H0031-0008-83	53-19	1			
118-4080-06-1	51-28	2	H0031-0008-84	53-20	1			
118-4100-41-3	51-13	2	H0031-0008-85	53-18	1			
C5000-160551	51-12	2	H0031-0008-86	53-13	1			
C5000-160601	51-11	2	H0031-0009-35	53-4	1			
C5010-050081	51-15	6	H1023-0005-72	51-16	1			
C5010-050081	51-20	6	H1023-0005-73	51-19	1			
C5010-060121	51-1	1	J9811-7700-12002	51-23	4			
C5010-060141	53-2	4	M001-81105T2	51-30	2			
C5010-060141	53-25	2	M101-20270-01303	51-32	2			
C5010-060161	51-27	2	T009-020-000-3	53-1	1			
C5010-060161	53-11	4	X	51-17	1			
C5010-080201	53-22	4	X	51-18	1			
C5010-080201	51-36	6						
C5010-080201	51-33	4						
C5029-000061	51-21	1						
C5030-006081	53-7	2						
C5036-006081	44-19	1						
C5040-004251	44-18	2						
C5040-004251	44-17	2						
C5160-000061	53-24	2						

CONTENTS
LNC8

5. COVER GROUP

SHEET NO.	ASSEMBLY NAME	PAGE
(71)	FRONT DOOR.....	78
(72)	COVERS (1)	80
(73)	COVERS (2) (TAILSTOCK)	82
(74)	COVERS (3)	84
(75)	COVERS (4)	86
(76)	SADDLE COVERS	88
(77)	BACK COVERS	90
(78)	MOTOR COVERS	92

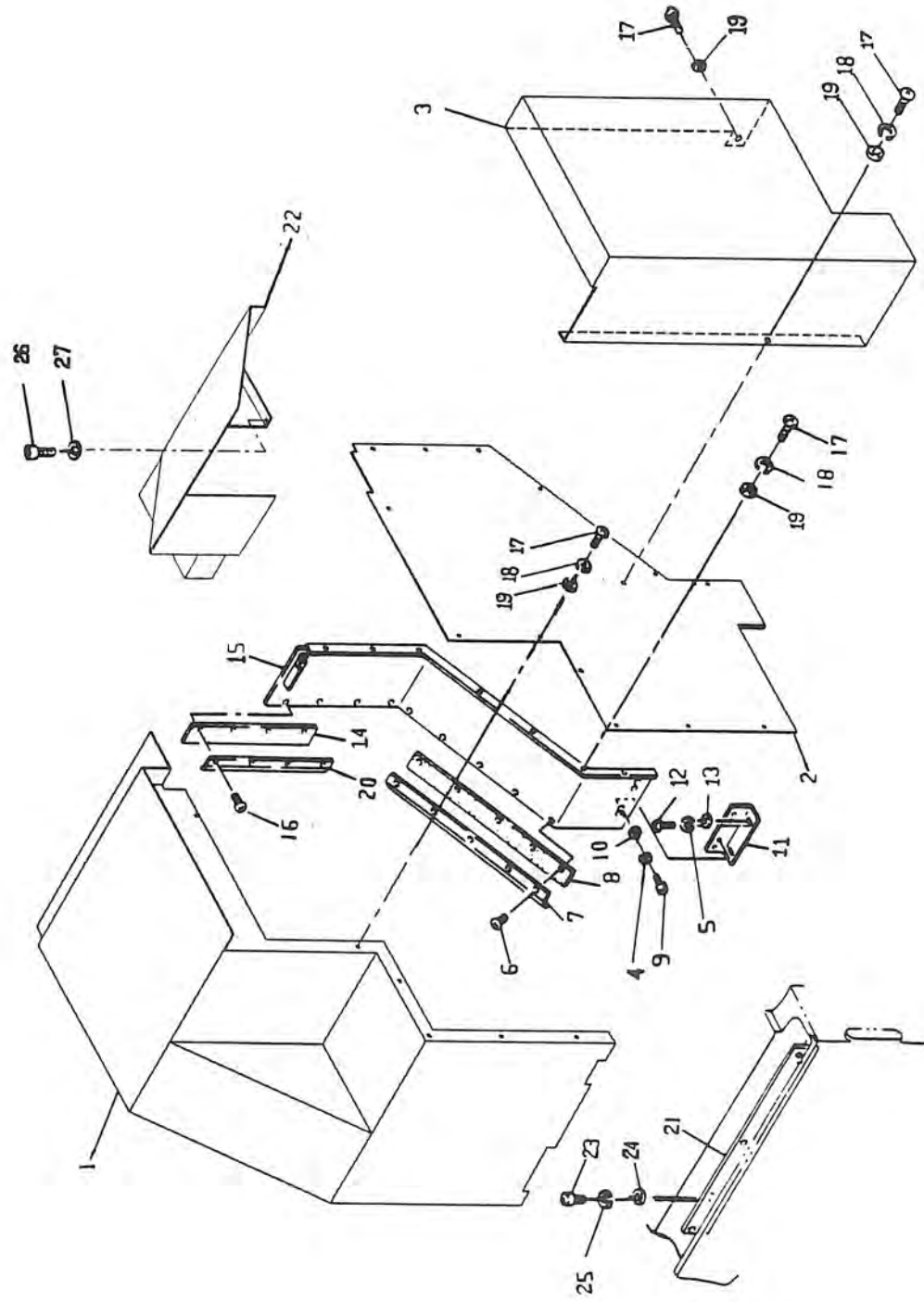
SHEET NO. 71 FRONT DOOR



INDEX NO.	PART NO.	DESCRIPTION	UNIT NO.	QTY	INDEX NO.	PART NO.	DESCRIPTION	UNIT NO.	QTY
71-1	H1023-0006-10-1	RUBBER PLATE MEYU NO. 6516 L1835	A118X-6503	1	71-36	118-7100-20	ROLLER	A118X-6503	4
71-2	KM1-0284-00	PLATE	A118X-6503	1	71-37	M001-HK1516	BEARING HK1516	A118X-6503	4
71-3	K118-6500-19-00	DOOR	A118X-6506	1	71-38	M001-AS1102	BEARING AS1102	A118X-6503	4
71-4	C5040-005081	SCREW, pan-head 5x8	A118X-6506	6	71-39	M001-AXK1102	BEARING AXK1102	A118X-6503	4
71-5	C5010-080161	BOLT, socket-head 8x16	A118X-6506	4	71-40	M001-WS81102	BEARING WS81102	A118X-6503	4
71-6	C5150-000081	WASHER, plain 8	A118X-6506	4	71-41	118-7100-19-1	COLLAR	A118X-6503	4
71-7	118-7102-59	PLATE	A118X-6503	1	71-42	118-7100-18-3	SHAFT	A118X-6503	4
71-8	118-7100-33-2	RAIL	A118X-6503	1	71-43	KM1-0287-00	NAME PLATE	A118X-9933	1
71-9	C5010-080201	BOLT, socket-head 8x20	A118X-6503	4	71-45	118-7102-62	DUCT	A118-6550	1
71-10	K118-6500-20-00	LATTICE	A118X-6503	1	71-46	118-7120-21-2	LINER	A118-6550	3
71-11	C5110-000051	NUT, hex.NO.4 5	A118X-6506	6	71-47	118-7120-22-2	SUPPORT	A118-6550	1
71-12	C5040-005081	SCREW, pan-head 5x8	A118X-6506	3	71-48	118-7120-18-2	SUPPORT	A118-6550	1
71-13	C5150-000061	WASHER, plain 6	A118X-6503	3	71-49	C5160-000061	WASHER, spring 6	A118-6550	3
71-14	118-7100-29-4	PLATE	A118X-6503	1	71-50	C5140-000061	WASHER, polished 6	A118-6550	3
71-15	C5010-080401	BOLT, socket-head 8x40	A118X-6503	3	71-51	C5050-060301	BOLT, socket-head 8x30	A118-6550	3
71-16	118-7100-15-1	COLLAR	A118X-6503	3	71-52	C5140-000061	WASHER, spring 6	A118-6550	2
71-17	118-7102-63	HANDLE	A118X-6503	4	71-53	C5010-060121	BOLT, socket head 6x12	A118-6550	2
71-18	118-7100-51-3	RAIL	A118X-6503	1	71-58	E3012-891-001	LIMIT SWITCH, MICRO SWITCH ISL1-J	A118-6550	2
71-19	118-7100-81	COLLAR	A118X-6503	2					
71-20	C5160-000061	WASHER, spring 6	A118X-6503	2					
71-21	C5110-000061	NUT, hex.NO.4 6	A118X-6503	2					
71-22	C5110-000101	NUT, hex.NO.4 10	A118X-6503	2					
71-23	C5140-000101	WASHER, polished 10	A118X-6503	2					
71-24	C5031-006101	SET-SCREW 6x10	A118X-6506	2					
71-25	118-7100-52-1	BOSS	A118X-6506	2					
71-26	C5140-000101	WASHER, polished 10	A118X-6503	2					
71-27	118-7100-59-1	ROLLER	A118X-6503	2					
71-28	M001-HK1512	BEARING INA	A118X-6503	4					
71-29	118-7100-58-3	M15x21x12	A118X-6503	2					
71-30	C5110-000101	SHAFT	A118X-6503	4					
71-31	C5140-000101	NUT, hex.NO.4 10	A118X-6503	4					
71-32	C5031-006121	WASHER, polished 10	A118X-6503	4					
71-33	M001-WS81102	SET-SCREW 6x12	A118X-6503	2					
71-34	M001-AXK1102	BEARING INA	A118X-6503	4					
71-35	M001-AS1102	M15x28x2.75	A118X-6503	4					
		BEARING INA	A118X-6503	4					
		M15x28x2	A118X-6503	4					
		BEARING AS1102	A118X-6503	4					

OKUMA MACHINE TOOLS, INC.

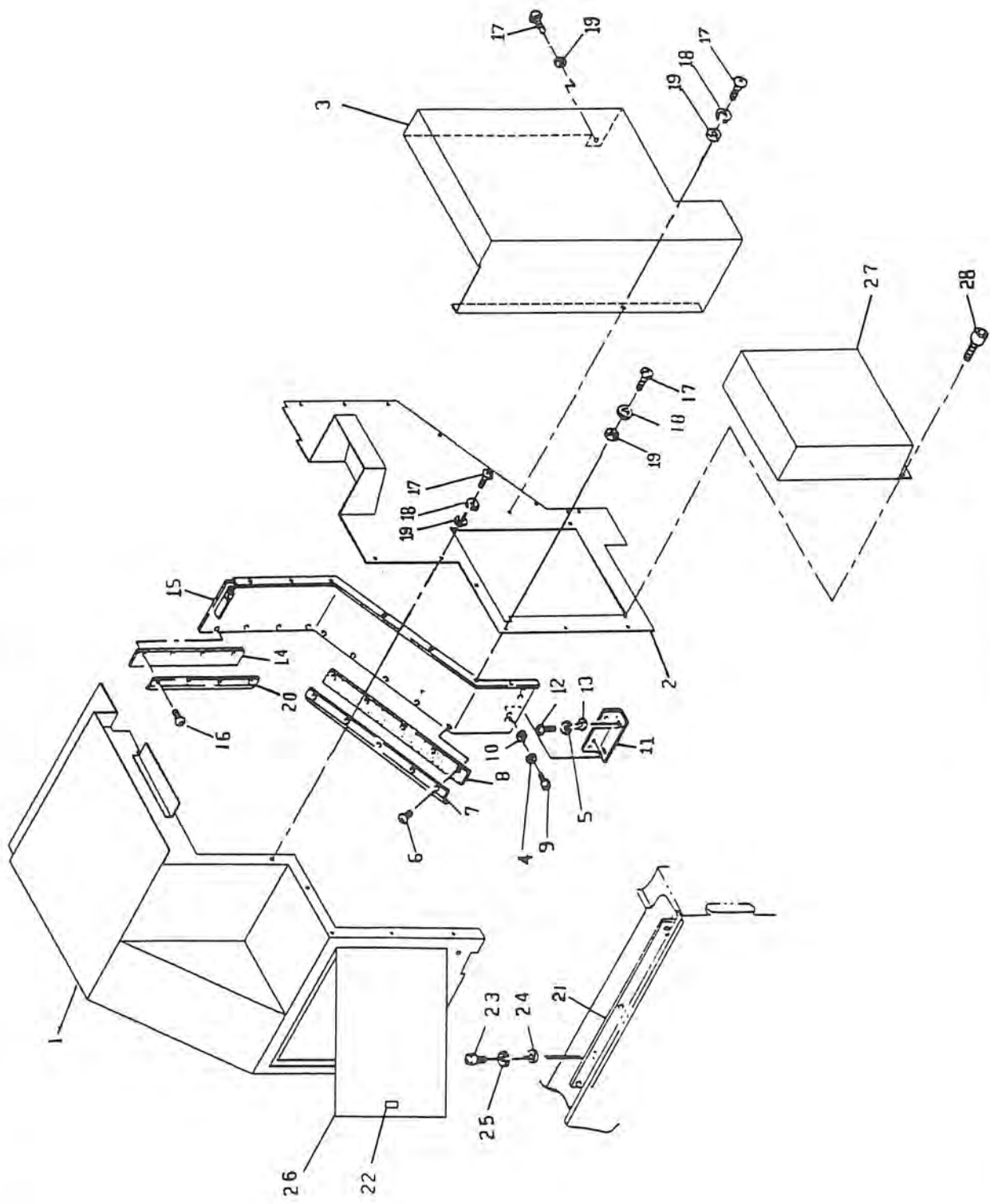
SHEET NO. 72 COVERS (1)



INDEX NO.	PART NO.	DESCRIPTION	UNIT NO.	QTY	INDEX NO.	PART NO.	DESCRIPTION	UNIT NO.	QTY
72-1	K118-6500-36-00	COVER	A118X-6500	1					
72-2	K118-6500-23-03	COVER	A118X-6500	1					
72-3	K118-6500-34-00	COVER	A118X-6500	1					
72-4	C5160-000061	WASHER	A118X-6503	4					
72-5	C5160-000081	WASHER	A118X-6518	2					
72-6	C5040-005121	SCREW, pan-head	A118X-6503	5					
72-7	KW118-7100-37-00	PLATE	A118X-6503	1					
72-8	H1020-1046-09-2	WIPER	A118X-6503	1					
72-9	C5010-060101	BOLT, socket-head 6x10	A118X-6503	4					
72-10	C5150-000061	WASHER	A118X-6503	4					
72-11	118-7100-56	SUPPORT	A118X-6518	1					
72-12	C5010-080141	BOLT, socket-head 8x14	A118X-6518	2					
72-13	C5140-000081	WASHER	A118X-6518	2					
72-14	H1020-1046-10-2	WIPER	A118X-6503	1					
72-15	K118-6500-13-00	COVER	A118X-6503	1					
72-16	C5040-005121	SCREW, pan-head 5x12	A118X-6503	4					
72-17	C5040-006101	SCREW, pan-head 6x10	A118X-6503	11					
72-18	C5160-000061	WASHER	A118X-6503	11					
72-19	C5150-000061	WASHER	A118X-6503	11					
72-20	118-7100-36	COVER	A118X-6503	1					
72-21	K118-6500-64-00	SUPPORT	A118X-6503	1					
72-22	K118-4000-03-00	COVER	A118X-6503	1					
72-23	C5010-080161	BOLT, socket-head 8x16	A118X-6503	2					
72-24	C5140-000081	WASHER	A118X-6503	2					
72-25	C5160-000081	WASHER	A118X-6503	2					

OKUMA MACHINE TOOLS, INC.

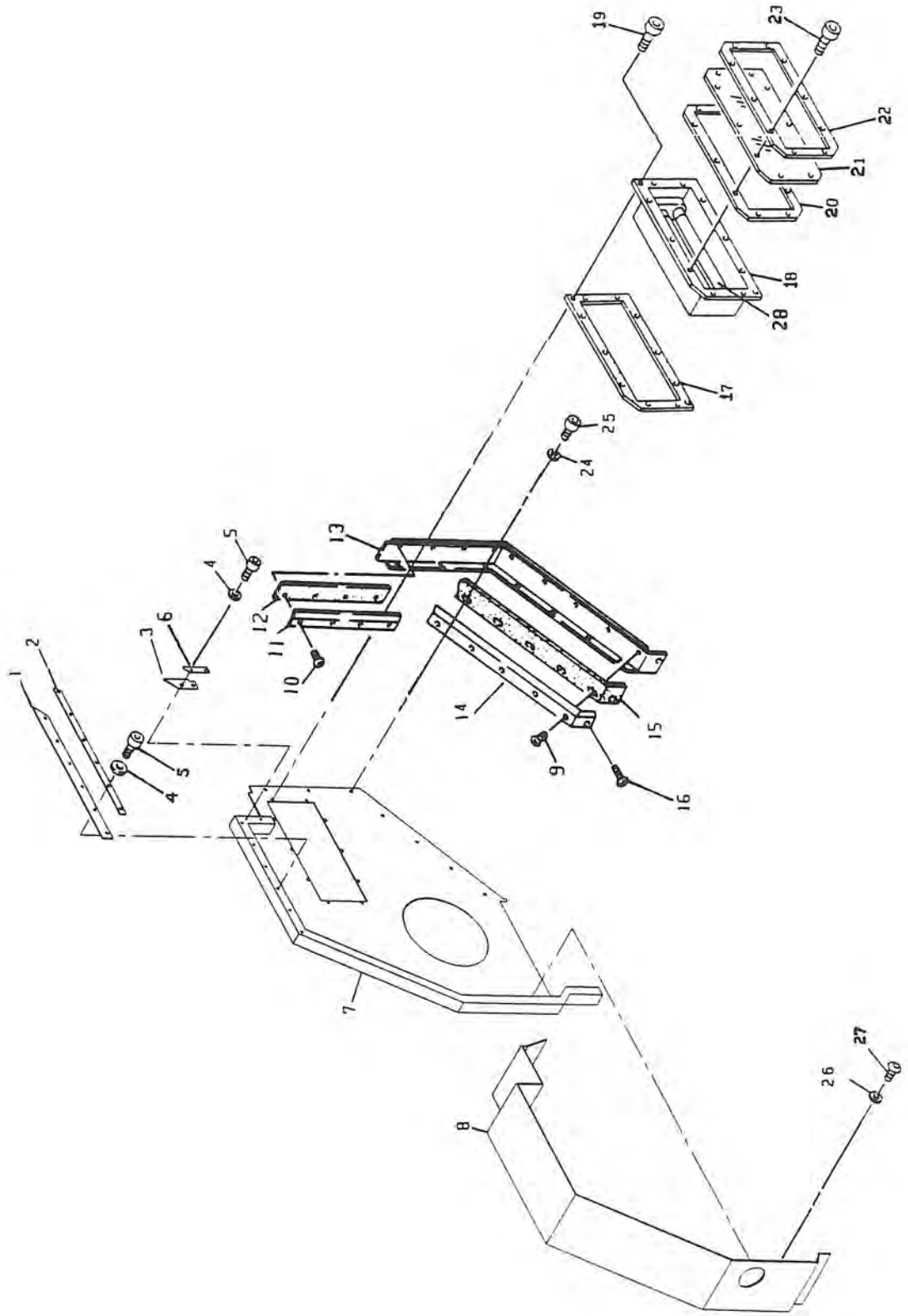
SHEET NO. 73 COVERS (2) TAILSTOCK



INDEX NO.	PART NO.	DESCRIPTION	UNIT NO.	QTY	INDEX NO.	PART NO.	DESCRIPTION	UNIT NO.	QTY
73-1	K118-6500-42-00	COVER	A118X-4041	1					
73-2	K118-6500-43-00	COVER	A118X-4041	1					
73-3	K118-6500-34-00	COVER	A118X-6500	1					
73-4	C5160-000061	WASHER	A118X-6503	4					
73-5	C5160-000081	WASHER	A118X-6518	2					
73-6	C5040-005121	SCREW, pan-head 5x12	A118X-6503	5					
73-7	KW118-7100-37-00	PLATE	A118X-6503	1					
73-8	H1020-1046-09-2	WIPER	A118X-6503	1					
73-9	C5010-060101	BOLT, socket-head 6x10	A118X-6503	4					
73-10	C5150-000061	WASHER	A118X-6503	4					
73-11	118-7100-56	SUPPORT	A118X-6518	1					
73-12	C5010-080141	BOLT, socket-head 8x14	A118X-6518	2					
73-13	C5140-000081	WASHER	A118X-6518	2					
73-14	H1020-1046-10-2	WIPER	A118X-6503	1					
73-15	118-7100-49-1	COVER	A118X-6503	1					
73-16	C5040-005121	SCREW, pan-head 5x12	A118X-6503	4					
73-17	C5040-006101	SCREW, pan-head 6x10	A118X-6503	11					
73-18	C5160-000061	WASHER	A118X-6503	11					
73-19	C5150-000061	WASHER	A118X-6503	11					
73-20	118-7100-36	PLATE	A118X-6503	1					
73-21	K118-7100-46-00	SUPPORT	A118X-6503	1					
73-22	KM0-0295-00	LATCH, SOUTHCO 62-10-701-50	A118X-4041	1					
73-23	C5010-080161	BOLT, socket-head 8x16	A118X-6503	2					
73-24	C5140-000081	WASHER	A118X-6503	2					
73-25	C5160-000081	WASHER	A118X-6503	2					
73-26	K118-6500-44-00	COVER	A118X-4041	1					
73-27	K118-6500-45-00	COVER	A118X-4041	1					
73-28	C5010-060101	BOLT, socket-head 6x10	A118X-4041	2					

OKUMA MACHINE TOOLS, INC.

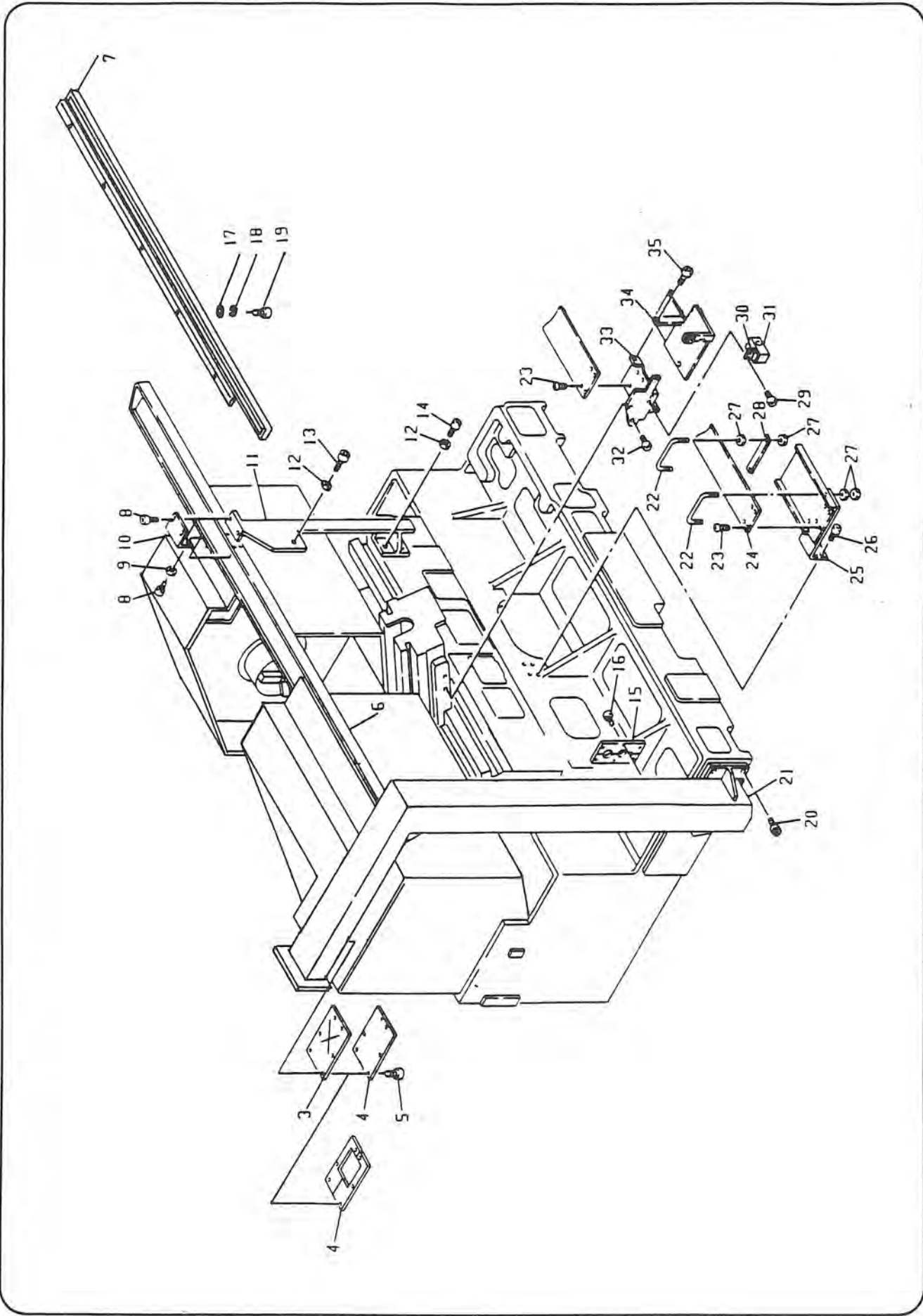
SHEET NO. 74 COVERS (3)



INDEX NO.	PART NO.	DESCRIPTION	UNIT NO.	QTY	INDEX NO.	PART NO.	DESCRIPTION	UNIT NO.	QTY
74-1	KM1-0286-00	WIPER	A118X-6518	1					
74-2	K118-6500-16-00	PLATE	A118X-6518	1					
74-3	KM1-0285-00	WIPER	A118X-6518	1					
74-4	C5150-000061	WASHER	A118X-6518	8					
74-5	C5010-060121	BOLT, socket-head 6x12	A118X-6518	8					
74-6	KM1-0285-00	WIPER	A118X-6518	1					
74-7	K118-6500-18-00	COVER	A118X-6512	1					
74-8	K118-6500-25-02	COVER	A118X-6512	1					
74-9	C5040-005121	SCREW, pan-head 5x12	A118X-6518	5					
74-10	C5040-005121	SCREW, pan-head 5x12	A118X-6518	4					
74-11	118-7100-23	HOLDER	A118X-6518	1					
74-12	H1020-1046-10-2	WIPER	A118X-6518	1					
74-13	118-7101-84-1	COVER	A118X-6518	1					
74-14	KW118-7101-69-00	HOLDER	A118X-6518	1					
74-15	H1020-1070-99-3	WIPER	A118X-6518	1					
74-16	C5040-005101	SCREW, pan-head 5x10	A118X-6518	1					
74-17	H1020-1048-66	PACKING	A118-9101	1					
74-18	E3539-490-002	LIGHT	A118-9101	1					
74-19	C5010-060101	BOLT, socket-head 6x10	A118-9101	2					
74-20	H1020-1048-65	PACKING	A118-9101	1					
74-21	H1022-1023-67-1	GLASS	A118-9101	1					
74-22	118-9100-02-1	PLATE	A118-9101	1					
74-23	C5010-060121	BOLT, socket-head 6x12	A118-9101	10					
74-24	C5150-000061	WASHER	A118X-6518	7					
74-25	C5040-060101	SCREW, pan-head 6x10	A118X-6518	7					
74-26	C5040-000081	WASHER	A118X-6512	4					
74-27	C5010-080141	BOLT, socket-head 8x14	A118X-6512	4					
74-28	E3583-490-005	BULB	A118-9109	2					

OKUMA MACHINE TOOLS, INC.

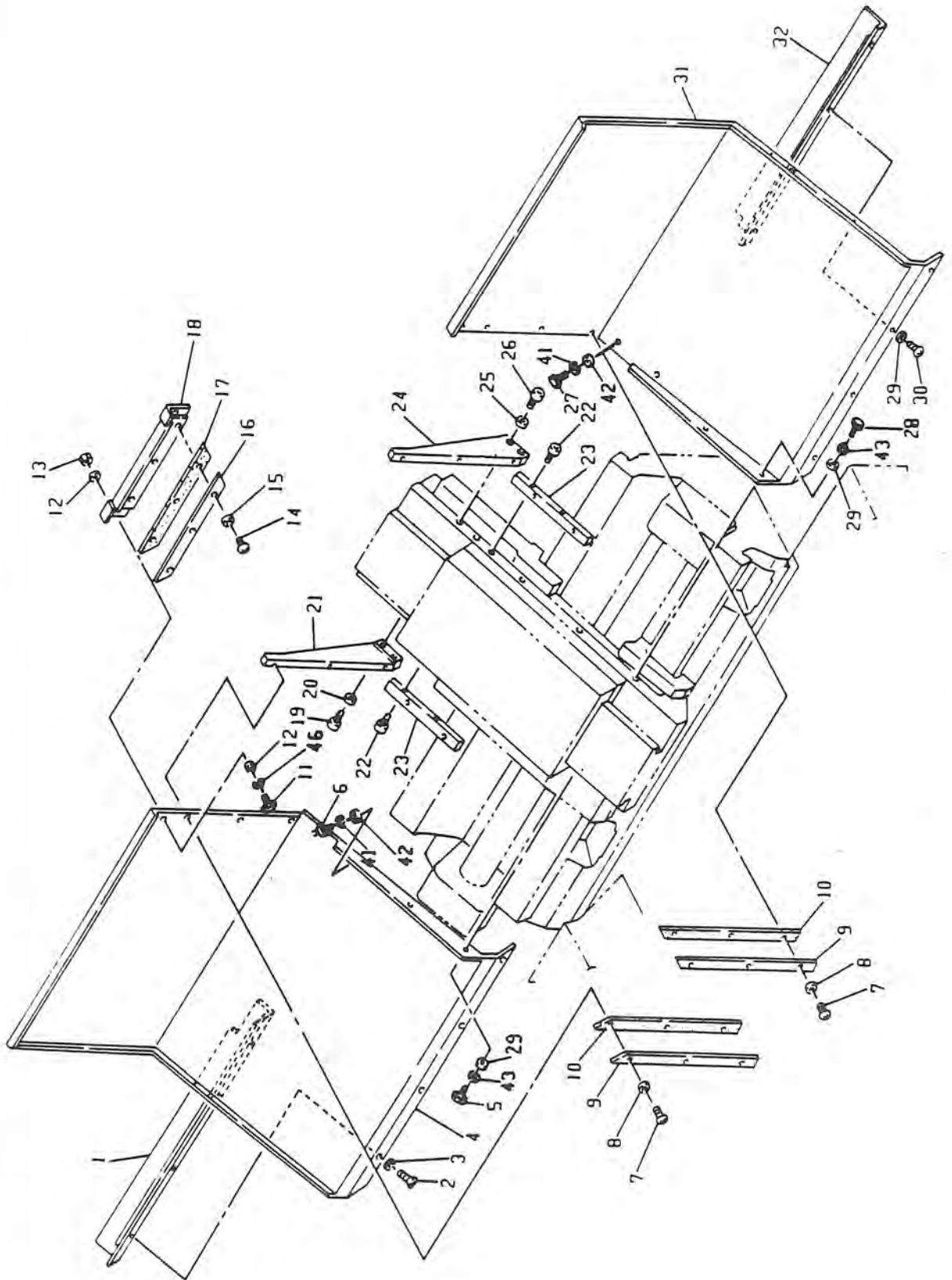
SHEET NO. 75 COVERS (4)



INDEX NO.	PART NO.	DESCRIPTION	UNIT NO.	QTY	INDEX NO.	PART NO.	DESCRIPTION	UNIT NO.	QTY
75-3	H1020-1062-54	PLATE 116x170x2	A118X-5021	1					
75-4	I18-5100-69	PLATE (TAILSTOCK)	A118X-5021	2					
75-4	K118-5000-02-00	PLATE	A118X-5021	1					
75-5	C5010-060101	BOLT, socket-head 6x10	A118X-5021	6					
75-6	K118-6500-28-00	SUPPORT	A118X-6503	1					
75-7	K118-6500-27-00	SUPPORT	A118X-6503	1					
75-8	C5010-080161	BOLT, socket-head 8x16	A118X-0009	6					
75-9	C5150-000081	WASHER, plain 8	A118X-0009	6					
75-10	I18-0200-17-4	SUPPORT	A118X-0009	1					
75-11	KW118-0200-53-00	BRACKET	A118X-0009	1					
75-12	C5150-000121	WASHER, plain 12	A118X-0009	5					
75-13	C5000-120251	BOLT, hex-head 12x25	A118X-0009	3					
75-14	C5000-120301	BOLT, hex-head 12x30	A118X-0009	2					
75-15	I18-5100-90	CAP	A118X-5021	1					
75-16	C5040-006081	SCREW, pan-head 6X8	A118X-5021	6					
75-17	C5040-006081	SCREW, pan-head 6x8	A118X-6503	6					
75-18	C5160-000061	WASHER, spring 6	A118X-6503	6					
75-19	C5150-000061	WASHER, plain 6	A118X-6503	6					
75-20	C5010-120401	BOLT, socket-head 12x40	A118X-5021	4					
75-21	K118-5000-03-02	DUCT	A118X-5021	1					
75-22	KW118-6000-42-00	BOLT	A118X-2150	4					
75-23	C5040-006081	SCREW, pan-head 6x8	A118X-2150	8					
75-24	M109-1024-49	PLATE	A118X-2150	1					
75-25	I18-6000-39	SUPPORT	A118X-0009	1					
75-26	C5010-080121	BOLT, socket-head 8x12	A118X-0009	4					
75-27	C5100-000051	NUT, hex.NO.3 5	A118X-2150	10					
75-28	I18-6000-43-1	PLATE	A118X-2150	6					
75-29	C5010-060101	BOLT, socket-head 6x10	A118X-2150	2					
75-30	I18-6000-45	SUPPORT	A118X-2150	1					
75-31	I18-6000-44	JOINT	A118X-2150	1					
75-32	C5010-080201	BOLT, socket-head 8x20	A118X-2150	2					
75-33	I18-6000-40-3	SUPPORT	A118X-2150	1					
75-34	K118-6200-03-00	SUPPORT	A118X-2150	1					
75-35	C5010-060101	BOLT, socket-head 6x10	A118X-2150	2					
75-36	C5160-000041	WASHER, spring	A118X-0009	8					
75-37	C5140-000041	WASHER, plain	A118X-0009	8					

OKUMA MACHINE TOOLS, INC.

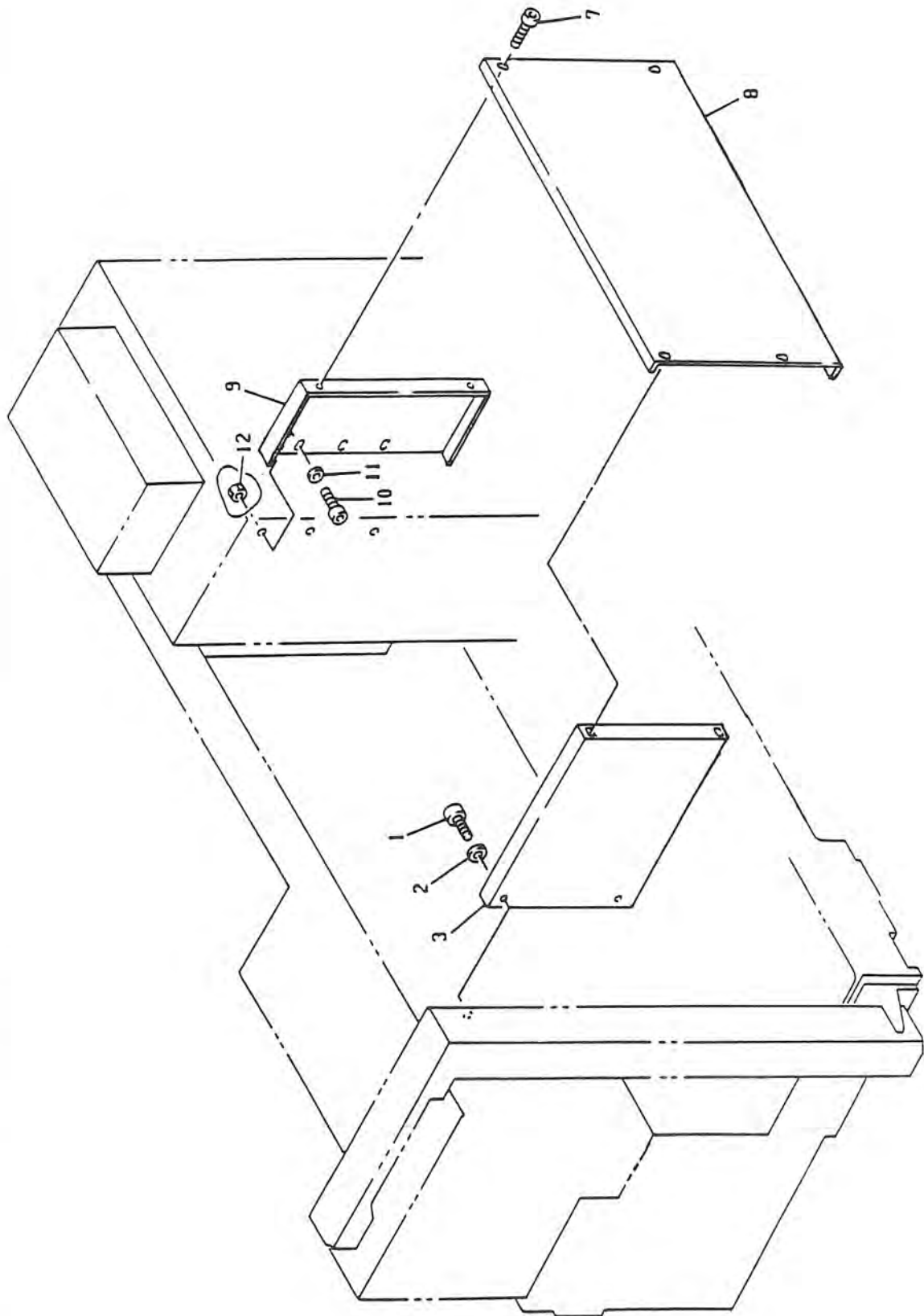
SHEET NO. 76 SADDLE COVERS



INDEX NO.	PART NO.	DESCRIPTION	UNIT NO.	QTY	INDEX NO.	PART NO.	DESCRIPTION	UNIT NO.	QTY
76-1	I18-7200-10-5	COVER	A118X-6521	1					
76-2	C5050-006081	SCREW, flat-head 6x8	A118X-6521	4					
76-3	C5140-000061	WASHER, polished 6	A118X-6521	4					
76-4	I18-7200-14-6	COVER	A118X-6521	1					
76-5	C5000-060101	BOLT, hex-head 6x10	A118X-6521	2					
76-6	C5000-060101	BOLT, hex-head 6x10	A118X-6521	4					
76-7	C5040-060161	SCREW, pan-head 6x16	A118X-6521	6					
76-8	C5140-000061	WASHER, polished 6	A118X-6521	6					
76-9	I18-7200-34	PLATE	A118X-6521	2					
76-10	H1023-1033-56	WIPER	A118X-6521	1					
76-10	H1023-1033-57	WIPER	A118X-6521	1					
76-11	C5000-060161	BOLT, hex-head 6x16	A118X-6521	2					
76-12	C5140-000061	WASHER, polished 6	A118X-6521	4					
76-13	C5110-000061	NUT, hex.NO.4 6	A118X-6521	2					
76-14	C5040-006101	SCREW, pan-head 6x10	A118X-6521	3					
76-15	C5140-000061	WASHER, polished 6	A118X-6521	3					
76-16	I18-7200-33	PLATE	A118X-6521	1					
76-17	H1020-1124-35	WIPER	A118X-6521	1					
76-18	I18-7200-32	COVER	A118X-6521	1					
76-19	C5010-080201	BOLT, socket-head 8x20	A118X-6521	2					
76-20	C5140-000081	WASHER, polished 8	A118X-6521	2					
76-21	I18-7200-12-1	SUPPORT	A118X-6521	1					
76-22	C5010-060351	BOLT, socket-head 6x35	A118X-6521	4					
76-23	I18-7200-03-1	PLATE	A118X-6521	2					
76-24	I18-7200-13-1	SUPPORT	A118X-6521	1					
76-25	C5140-000081	WASHER, polished 8	A118X-6521	2					
76-26	C5010-080201	BOLT, socket-head 8x20	A118X-6521	2					
76-27	C5000-060101	BOLT, hex-head 6x10	A118X-6521	4					
76-28	C5000-060101	BOLT, hex-head 6x10	A118X-6521	2					
76-29	C5140-000061	WASHER, polished 6	A118X-6521	4					
76-30	C5050-006081	SCREW, flat-head 6x8	A118X-6521	4					
76-31	K118-6500-14-00	COVER	A118X-6521	1					
76-32	K118-6500-17-01	COVER	A118X-6521	1					
76-41	C5160-000061	WASHER, spring 6	A118X-6521	2					
76-42	C5140-000061	WASHER, plain 6	A118X-6521	2					
76-43	C5160-000061	WASHER, spring 6	A118X-6521	4					

OKUMA MACHINE TOOLS, INC.

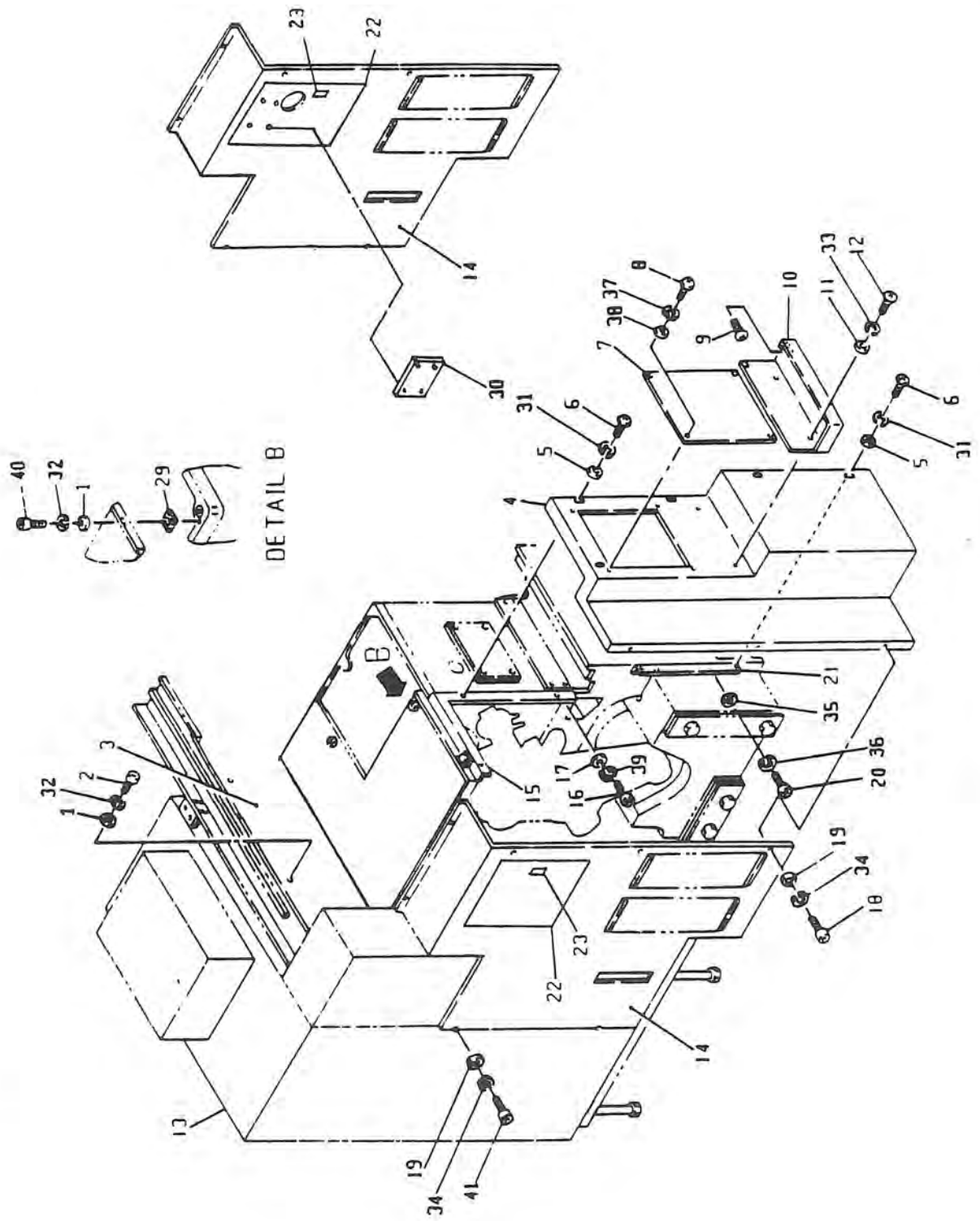
SHEET NO. 77 BACK COVERS



INDEX NO.	PART NO.	DESCRIPTION	UNIT NO.	QTY	INDEX NO.	PART NO.	DESCRIPTION	UNIT NO.	QTY
77-1	C5010-060121	BOLT, socket-head 6X12	A118X-6525	3					
77-2	C5150-000061	WASHER	A118X-6525	3					
77-3	K1118-6500-40-00	COVER	A118X-6525	1					
77-7	C5010-080161	BOLT, socket-head 8X16	A118-3070	2					
77-8	K1118-6500-41-00	COVER	A118X-6525	1					
77-9	K1118-6500-39-00	COVER	A118X-6525	1					
77-10	C5010-060141	BOLT, socket-head 6X14	A118X-6525	3					
77-11	C5150-000061	WASHER	A118X-6525	3					
77-12	C5110-000061	NUT	A118X-6525	3					

OKUMA MACHINE TOOLS, INC.

SHEET NO. 78 MOTOR COVERS



INDEX NO.	PART NO.	DESCRIPTION	UNIT NO.	QTY	INDEX NO.	PART NO.	DESCRIPTION	UNIT NO.	QTY
78-1	C5140-000061	WASHER, polished 6	A118X-6500	3	78-36	C5160-000081	WASHER, spring 8	A118X-6500	2
78-2	C5010-060101	BOLT, socket-head 6x10	A118X-6500	3	78-37	C5160-000061	WASHER, spring 6	A118X-6500	4
78-3	118-7000-24-5	COVER	A118X-6500	1	78-38	C5140-000061	WASHER, spring 6	A118X-6500	4
78-4	118-7000-23-2	COVER	A118X-6500	1	78-39	C5160-000081	WASHER, spring 8	A118X-6500	3
78-5	C5140-000061	WASHER, polished 6	A118X-6500	5	78-40	C5010-060121	BOLT, socket-head 6x126	A118X-6500	2
78-6	C5040-006101	SCREW, pan-head 6x10	A118X-6500	5	78-41	C5010-060121	BOLT, socket-head 6x12	A118X-6519	2
78-7	118-7000-21	CAP	A118X-6500	1					
78-8	C5040-006081	SCREW, pan-head 6x8	A118X-6500	4					
78-9	C5040-005081	SCREW, pan-head 5x8	A118X-6500	1					
78-10	118-7000-19-6	GUTTER	A118X-6500	1					
78-11	C5150-000061	WASHER, plain 6	A118X-6500	2					
78-12	C5040-006081	SCREW, pan-head 6x8	A118X-6500	2					
78-13	X	CONTROL BOX		1					
78-14	K118-6500-29-00	COVER (TAILSTOCK)	A118X-4010	1					
78-14	K118-6500-29-00	COVER (TAILSTOCK)	A118X-4010	1					
78-14	K118-6500-10-01	COVER	A118X-6515	1					
78-15	118-7000-20-4	SUPPORT	A118X-6500	1					
78-16	C5010-080161	BOLT, socket-head 8x16	A118X-6500	3					
78-17	C5150-000081	WASHER, plain 8	A118X-6500	3					
78-18	C5010-060101	BOLT, socket-head 6x10	A118X-6515	7					
78-18	C5010-060121	BOLT, socket-head 6x12	A118X-6514	7					
78-18	C5010-060101	BOLT, socket-head 6x10	A118X-6519	7					
78-19	C5150-000061	WASHER, plain 6	A118X-6515	7					
78-19	C5150-000061	WASHER, plain 6	A118X-6514	7					
78-19	C5150-000061	WASHER, plain 6	A118X-6519	7					
78-20	C5010-080161	BOLT, socket-head 8x16	A118X-6500	2					
78-21	118-7000-04-4	SUPPORT	A118X-6500	1					
78-22	K118-6500-30-00	COVER (TAILSTOCK)	A118X-4101	1					
78-22	K118-6500-11-01	COVER	A118X-6515	1					
78-23	KM0-0295-00	LATCH, SOUTHCO 62-10-701-50	A118X-6515	1					
78-29	H1020-1047-80-1	PACKING	A118X-6500	3					
78-31	C5160-000061	WASHER, spring 6	A118X-6500	5					
78-32	C5160-000061	WASHER, spring 6	A118X-6500	5					
78-33	C5160-000061	WASHER, spring 6	A118X-6500	2					
78-34	C5160-000061	WASHER, spring 6	A118X-6515	7					
78-35	C5140-000081	WASHER, plain 8	A118X-6500	2					

OKUMA MACHINE TOOLS, INC.

COVER GROUP

PART NO. LIST

Part No.	Index	Qty	Part No.	Index	Qty	Part No.	Index	Qty
118-0200-17-4	75-10	1	118-7200-03-1	76-23	2	C5010-080141	74-27	4
118-5100-69	75-4	2	118-7200-10-5	76-1	1	C5010-080161	78-16	3
118-5100-90	75-15	1	118-7200-12-1	76-21	1	C5010-080161	71-5	4
118-6000-39	75-25	1	118-7200-13-1	76-24	1	C5010-080161	73-23	2
118-6000-40-3	75-33	1	118-7200-14-6	76-4	1	C5010-080161	75-8	6
118-6000-43-1	75-28	6	118-7200-32	76-18	1	C5010-080161	72-23	2
118-6000-44	75-31	1	118-7200-33	76-16	1	C5010-080161	78-20	2
118-6000-45	75-30	1	118-7200-34	76-9	2	C5010-080201	76-19	2
118-7000-04-4	78-21	1	118-9100-02-1	74-22	1	C5010-080201	75-32	2
118-7000-19-6	78-10	1	C5000-060101	76-5	2	C5010-080201	76-26	2
118-7000-20-4	78-15	1	C5000-060101	76-6	4	C5010-080201	71-9	4
118-7000-21	78-7	1	C5000-060101	76-28	2	C5010-080401	71-15	3
118-7000-23-2	78-4	1	C5000-060101	76-27	4	C5010-120401	75-20	4
118-7000-24-5	78-3	1	C5000-060161	76-11	2	C5031-006101	71-24	2
118-7100-15-1	71-16	3	C5000-120251	75-13	3	C5031-006121	71-32	2
118-7100-18-3	71-42	4	C5000-120301	75-14	2	C5040-000081	74-26	4
118-7100-19-1	71-41	4	C5010-060101	78-18	7	C5040-005081	71-12	3
118-7100-20	71-36	4	C5010-060101	78-18	7	C5040-005081	78-9	1
118-7100-23	74-11	1	C5010-060101	74-19	2	C5040-005081	71-4	6
118-7100-29-4	71-14	1	C5010-060101	75-5	6	C5040-005101	74-16	1
118-7100-33-2	71-8	1	C5010-060101	78-2	3	C5040-005121	73-6	5
118-7100-36	73-20	1	C5010-060101	73-28	2	C5040-005121	72-6	5
118-7100-36	72-20	1	C5010-060101	75-29	2	C5040-005121	73-16	4
118-7100-49-1	73-15	1	C5010-060101	72-9	4	C5040-005121	74-10	4
118-7100-51-3	71-18	1	C5010-060101	73-9	4	C5040-005121	72-16	4
118-7100-52-1	71-25	2	C5010-060101	75-35	2	C5040-005121	74-9	5
118-7100-56	72-11	1	C5010-060121	78-41	2	C5040-006081	75-17	6
118-7100-56	73-11	1	C5010-060121	77-1	3	C5040-006081	75-16	6
118-7100-58-3	71-29	2	C5010-060121	71-53	2	C5040-006081	75-23	8
118-7100-59-1	71-27	2	C5010-060121	74-23	10	C5040-006081	78-8	4
118-7100-81	71-19	2	C5010-060121	78-18	7	C5040-006081	78-12	2
118-7101-84-1	74-13	1	C5010-060121	78-40	2	C5040-006101	76-14	3
118-7102-59	71-7	1	C5010-060121	74-5	8	C5040-006101	72-17	11
118-7102-62	71-45	1	C5010-060141	77-10	3	C5040-006101	78-6	5
118-7102-63	71-17	4	C5010-060351	76-22	4	C5040-006101	73-17	11
118-7120-18-2	71-48	1	C5010-080121	75-26	4	C5040-060101	74-25	7
118-7120-21-2	71-46	3	C5010-080141	72-12	2	C5040-060161	76-7	6
118-7120-22-2	71-47	1	C5010-080141	73-12	2	C5050-006081	76-2	4

COVER GROUP

PART NO. LIST

Part No.	Index	Qty	Part No.	Index	Qty	Part No.	Index	Qty
C5050-006081	76-30	4	C5150-000061	78-19	7	H1020-1046-10-2	72-14	1
C5050-060301	71-51	3	C5150-000061	74-24	7	H1020-1046-10-2	74-12	1
C5100-000051	75-27	10	C5150-000061	71-13	3	H1020-1047-80-1	78-29	3
C5110-000051	71-11	6	C5150-000061	74-4	8	H1020-1048-65	74-20	1
C5110-000061	76-13	2	C5150-000061	72-10	4	H1020-1048-66	74-17	1
C5110-000061	77-12	3	C5150-000061	73-10	4	H1020-1062-54	75-3	1
C5110-000061	71-21	2	C5150-000061	73-19	11	H1020-1070-99-3	74-15	1
C5110-000101	71-30	4	C5150-000081	75-9	6	H1020-1124-35	76-17	1
C5110-000101	71-22	2	C5150-000081	71-6	4	H1022-1023-67-1	74-21	1
C5140-000041	75-37	8	C5150-000081	78-17	3	H1023-0006-10-1	71-1	1
C5140-000061	71-50	3	C5150-000121	75-12	5	H1023-1033-56	76-10	1
C5140-000061	76-42	2	C5160-000041	75-36	8	H1023-1033-57	76-10	1
C5140-000061	76-3	4	C5160-000061	72-4	4	K118-4000-03-00	72-22	1
C5140-000061	71-52	2	C5160-000061	71-49	3	K118-5000-02-00	75-4	1
C5140-000061	78-38	4	C5160-000061	78-37	4	K118-5000-03-02	75-21	1
C5140-000061	76-29	4	C5160-000061	76-43	4	K118-6200-03-00	75-34	1
C5140-000061	76-8	6	C5160-000061	76-41	2	K118-6500-10-01	78-14	1
C5140-000061	76-12	4	C5160-000061	73-4	4	K118-6500-11-01	78-22	1
C5140-000061	76-15	3	C5160-000061	75-18	6	K118-6500-13-00	72-15	1
C5140-000061	78-1	3	C5160-000061	73-18	11	K118-6500-14-00	76-31	1
C5140-000061	78-5	5	C5160-000061	71-20	2	K118-6500-16-00	74-2	1
C5140-000081	76-25	2	C5160-000061	72-18	11	K118-6500-17-01	76-32	1
C5140-000081	73-24	2	C5160-000061	78-31	5	K118-6500-18-00	74-7	1
C5140-000081	76-20	2	C5160-000061	78-34	7	K118-6500-19-00	71-3	1
C5140-000081	73-13	2	C5160-000061	78-32	5	K118-6500-20-00	71-10	1
C5140-000081	78-35	2	C5160-000061	78-33	2	K118-6500-23-03	72-2	1
C5140-000081	72-13	2	C5160-000081	78-39	3	K118-6500-25-02	74-8	1
C5140-000081	72-24	2	C5160-000081	73-25	2	K118-6500-27-00	75-7	1
C5140-000101	71-23	2	C5160-000081	72-25	2	K118-6500-28-00	75-6	1
C5140-000101	71-26	2	C5160-000081	78-36	2	K118-6500-29-00	78-14	1
C5140-000101	71-31	4	C5160-000081	72-5	2	K118-6500-29-00	78-14	1
C5150-000061	78-19	7	C5160-000081	73-5	2	K118-6500-30-00	78-22	1
C5150-000061	75-19	6	E3012-891-001	71-58	2	K118-6500-34-00	72-3	1
C5150-000061	77-2	3	E3539-490-002	74-18	1	K118-6500-34-00	73-3	1
C5150-000061	78-11	2	E3583-490-005	74-28	2	K118-6500-36-00	72-1	1
C5150-000061	78-19	7	H1020-1046-09-2	73-8	1	K118-6500-39-00	77-9	1
C5150-000061	77-11	3	H1020-1046-09-2	72-8	1	K118-6500-40-00	77-3	1
C5150-000061	72-19	11	H1020-1046-10-2	73-14	1	K118-6500-41-00	77-8	1

COVER GROUP

PART NO. LIST

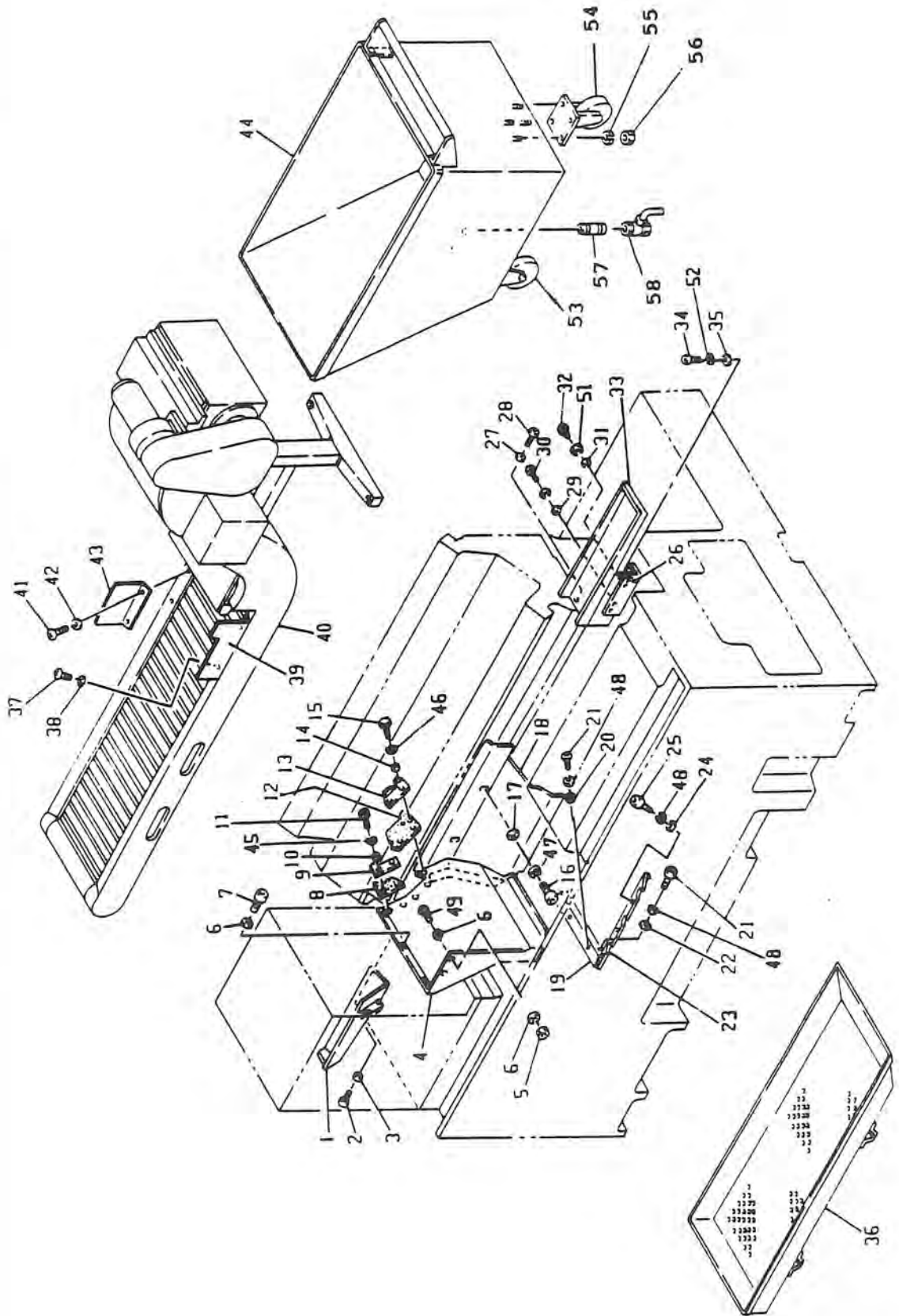
Part No.	Index	Qty	Part No.	Index	Qty	Part No.	Index	Qty
K118-6500-42-00	73-1	1						
K118-6500-43-00	73-2	1						
K118-6500-44-00	73-26	1						
K118-6500-45-00	73-27	1						
K118-6500-64-00	72-21	1						
K118-7100-46-00	73-21	1						
KM0-0295-00	78-23	1						
KM0-0295-00	73-22	1						
KM1-0284-00	71-2	1						
KM1-0285-00	74-3	1						
KM1-0285-00	74-6	1						
KM1-0286-00	74-1	1						
KM1-0287-00	71-43	1						
KW118-0200-53-00	75-11	1						
KW118-6000-42-00	75-22	4						
KW118-7100-37-00	73-7	1						
KW118-7100-37-00	72-7	1						
KW118-7101-69-00	74-14	1						
M001-AS1102	71-35	4						
M001-AS1102	71-38	4						
M001-AXK1102	71-39	4						
M001-AXK1102	71-34	4						
M001-HK1512	71-28	4						
M001-HK1516	71-37	4						
M001-WS81102	71-33	4						
M001-WS81102	71-40	4						
M109-1024-49	75-24	1						
X	78-13	1						

CONTENTS
LNC8

6. SYSTEM UNIT GROUP

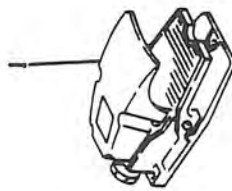
<u>SHEET NO.</u>	<u>ASSEMBLY NAME</u>	<u>PAGE</u>
(81)	CHIP PAN / CHIP CONVEYOR	98
(82)	CHUCK AND TAILSTOCK PEDALS	100

SHEET NO. 81 CHIP PAN / CHIP CONVEYOR

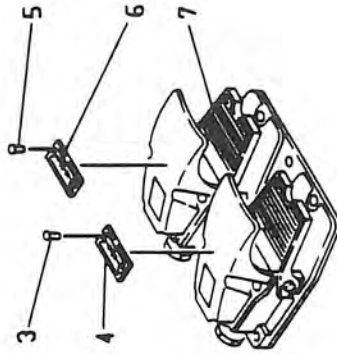


INDEX NO.	PART NO.	DESCRIPTION	UNIT NO.	QTY	INDEX NO.	PART NO.	DESCRIPTION	UNIT NO.	QTY
81-1	118-7000-07-5	GUTTER	A118X-6500	1	81-38	C5160-000061	WASHER, spring 6	A118-9004	2
81-2	C5010-080121	BOLT, socket-head 8x12	A118X-6500	2	81-39	118-9000-92	COVER	A118-9004	1
81-3	C5140-000081	WASHER, polished 8	A118X-6500	2	81-40	H0190-0026-24	CHIP CONVEYOR ENOMOTO	A118-9920	1
81-4	118-9002-88-2	COVER	A118X-6518	1	81-40	H0190-0026-32	CHIP CONVEYOR ENOMOTO	A118-9922	1
81-5	C5110-000061	NUT #4 6	A118X-6518	2	81-40	H0190-0026-33	IEC B15L	A118-9923	1
81-6	C5150-000061	WASHER, plain 6	A118X-6518	5	81-41	C5040-006081	IEC B15-H	A118-9004	2
81-7	C5040-006101	SCREW, pan-head 6x10	A118X-6518	5	81-42	C5160-000061	SCREW, pan-head 6x8	A118-9004	2
81-8	H1020-1073-84-1	WIPER	A118X-6518	1	81-43	118-9000-65	WASHER, spring 6	A118-9004	2
81-9	118-9002-89	HOLDER	A118X-6518	1	81-44	191-6714-17-2	PLATE	A118-9004	1
81-10	C5140-000061	WASHER, polished 6	A118X-6518	2	81-44	C5040-006121	CHIP BRACKET L	A112-0200	1
81-11	C5010-060121	BOLT, socket-head 6x12	A118X-6518	2	81-45	C5160-000061	WASHER, spring 6	A118X-6518	4
81-12	H1020-1073-85-1	WIPER	A118X-6518	1	81-46	C5160-000061	WASHER, spring 6	A118X-6518	1
81-13	118-9002-90-3	HOLDER	A118X-6518	1	81-47	C5160-000081	WASHER, spring 8	A118-9011	2
81-14	C5140-000061	WASHER, polished 6	A118X-6518	3	81-48	C5160-000061	WASHER, spring 8	A118-9011	6
81-15	C5000-060121	BOLT, Hex-head 6x12	A118X-6518	3	81-49	C5040-006121	SCREW, pan-head 6x12	A118X-6518	2
81-16	C5010-080121	BOLT, socket-head 8x12	A118X-6500	2	81-50	C5160-000061	WASHER, spring 6	A118X-6518	5
81-17	C5150-000081	WASHER, plain 8	A118X-6500	2	81-51	C5160-000061	WASHER, spring 6	A118X-6500	2
81-18	118-9002-91-1	COVER	A118X-6500	1	81-52	C5160-000081	WASHER, spring 8	A118X-6518	2
81-19	118-9000-59	COVER	A118-9003	1	81-53	H1080-0000-55	CASTER	A127-0200	2
81-20	C5140-000061	WASHER, polished 6	A118-9003	2	81-54	H1080-0000-56	CASTER	A127-0200	1
81-21	C5010-060101	BOLT, socket-head 6x10	A118-9003	6	81-55	C5160-000101	WASHER	A127-0200	12
81-22	C5150-000061	WASHER, plain 6	A118-9003	1	81-56	C5110-000101	NUT	A127-0200	12
81-23	118-9000-60-1	COVER	A118-9003	1	81-57	D7782-000022	NIPPLE	A127-0200	1
81-24	C5140-000061	WASHER, polished 6	A118-9003	3	81-58	D2760-000222	HANDLE COCK 3/8	A127-0200	1
81-25	C5010-060101	BOLT, socket-head 6x10	A118-9003	3					
81-26	118-7100-56	BRACKET	A118X-6518	1					
81-27	C5150-000081	WASHER, plain 8	A118X-6500	1					
81-28	C5010-080121	BOLT, socket-head 8x12	A118X-6500	1					
81-29	C5150-000061	WASHER, plain 6	A118X-6503	2					
81-30	C5040-006101	SCREW, pan-head 6x10	A118X-6503	2					
81-31	C5150-000061	WASHER, plain 6	A118X-6503	2					
81-32	C5054-006101	SCREW, pan-head 6x10	A118X-6503	2					
81-33	K118-6500-33-00	GUTTER	A118X-6503	1					
81-34	C5010-080141	BOLT, socket-head 8x14	A118X-6518	2					
81-35	C5140-000081	WASHER, polished 8	A118X-6518	2					
81-36	K118-9000-01-00	PAN	A118X-9000	1					
81-37	C5040-006081	SCREW, pan-head 6x8	A118-9004	2					

SHEET NO. 82 CHUCK AND TAILSTOCK PEDALS



CHUCK PEDAL



TAILSTOCK PEDAL

INDEX NO.	PART NO.	DESCRIPTION	UNIT NO.	QTY	INDEX NO.	PART NO.	DESCRIPTION	UNIT NO.	QTY
82-1	KM1-0003-01	FOOT SWITCH, single	A117-3302	1					
82-3	C5076-000020	SCREW, drive #2	A118-9510	2					
82-4	H1040-1021-99	NAMEPLATE	A118-9510	1					
82-5	C5076-000020	SCREW, drive #2	A118-9510	2					
82-6	H1040-1021-98	NAMEPLATE	A118-9510	1					
82-7	KM1-0004-01	FOOTSWITCH, double	A147-3601	1					

OKUMA MACHINE TOOLS, INC.

SYSTEM UNIT GROUP

PART NO. LIST

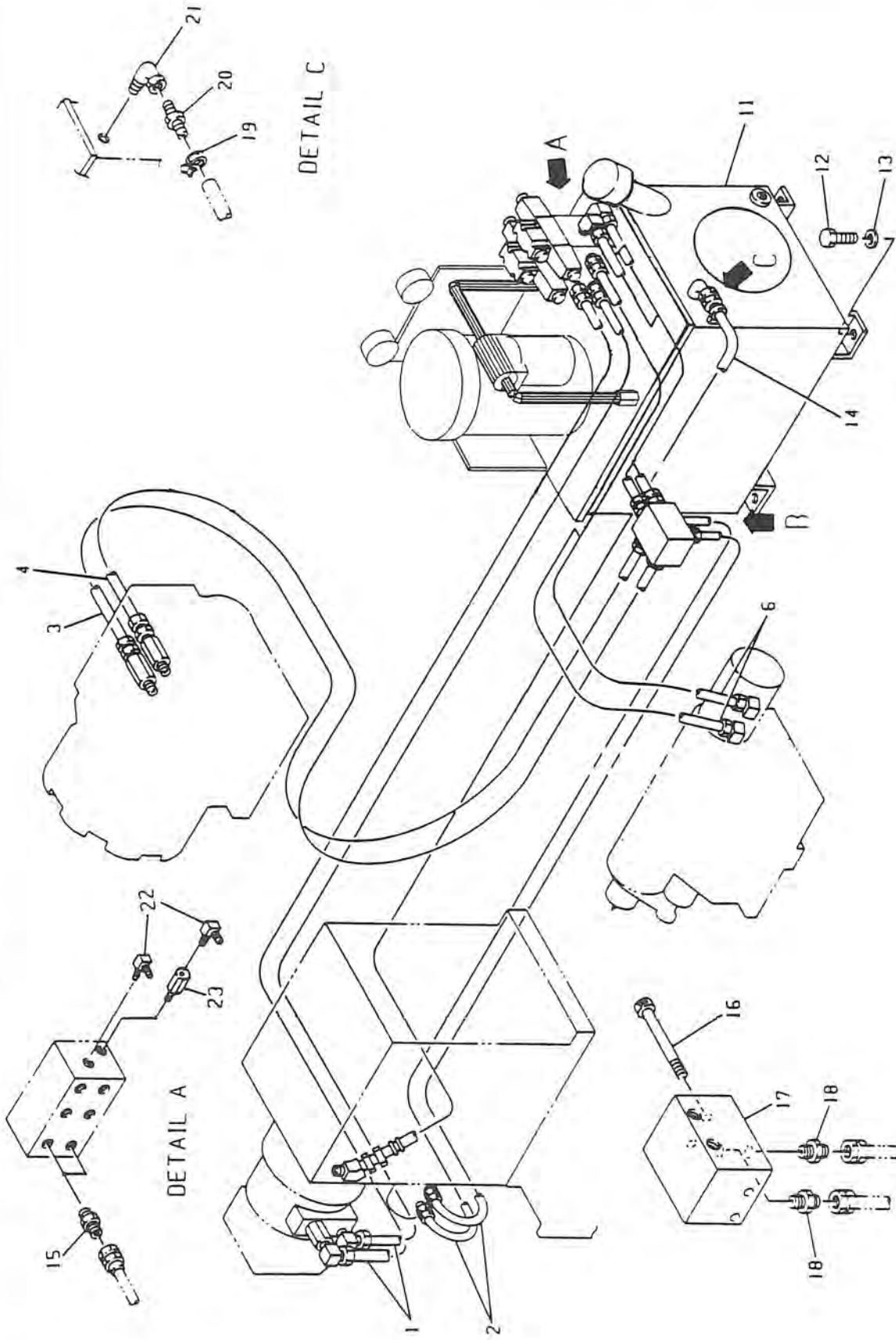
Part No.	Index	Qty	Part No.	Index	Qty	Part No.	Index	Qty
118-7000-07-5	81-1	1	C5150-000081	81-27	1			
118-7100-56	81-26	1	C5150-000081	81-17	2			
118-9000-59	81-19	1	C5160-000061	81-38	2			
118-9000-60-1	81-23	1	C5160-000061	81-42	2			
118-9000-65	81-43	1	C5160-000061	81-51	2			
118-9000-92	81-39	1	C5160-000061	81-50	5			
118-9002-88-2	81-4	1	C5160-000061	81-46	1			
118-9002-89	81-9	1	C5160-000061	81-48	6			
118-9002-90-3	81-13	1	C5160-000061	81-45	4			
118-9002-91-1	81-18	1	C5160-000081	81-52	2			
191-6714-17-2	81-44	1	C5160-000081	81-47	2			
C5000-060121	81-15	3	H0190-0026-24	81-40	1			
C5010-060101	81-25	3	H0190-0026-32	81-40	1			
C5010-060101	81-21	6	H0190-0026-33	81-40	1			
C5010-060121	81-11	2	H1020-1073-84-1	81-8	1			
C5010-080121	81-16	2	H1020-1073-85-1	81-12	1			
C5010-080121	81-28	1	H1040-1021-98	82-6	1			
C5010-080121	81-2	2	H1040-1021-99	82-4	1			
C5010-080141	81-34	2	H1080-0000-55	81-53	2			
C5040-006081	81-41	2	H1080-0000-56	81-54	1			
C5040-006081	81-37	2	K118-6500-33-00	81-33	1			
C5040-006101	81-30	2	K118-9000-01-00	81-36	1			
C5040-006101	81-7	5	KM1-0003-01	82-1	1			
C5040-006121	81-49	2	KM1-0004-01	82-7	1			
C5054-006101	81-32	2						
C5076-000020	82-5	2						
C5076-000020	82-3	2						
C5110-000061	81-5	2						
C5140-000061	81-20	2						
C5140-000061	81-24	3						
C5140-000061	81-14	3						
C5140-000061	81-10	2						
C5140-000081	81-35	2						
C5140-000081	81-3	2						
C5150-000061	81-22	1						
C5150-000061	81-6	5						
C5150-000061	81-31	2						
C5150-000061	81-29	2						

CONTENTS
LNC8

7. PIPING GROUP

<u>SHEET NO.</u>	<u>ASSEMBLY NAME</u>	<u>PAGE</u>
(91)	HYDRAULIC PIPING	104
(92)	COOLANT PIPING	106
(93)	LUBRICATION PIPING (1)	108
(94)	LUBRICATION PIPING (2)	110

SHEET NO. 91 HYDRAULIC PIPING



DETAIL A

DETAIL B

DETAIL C

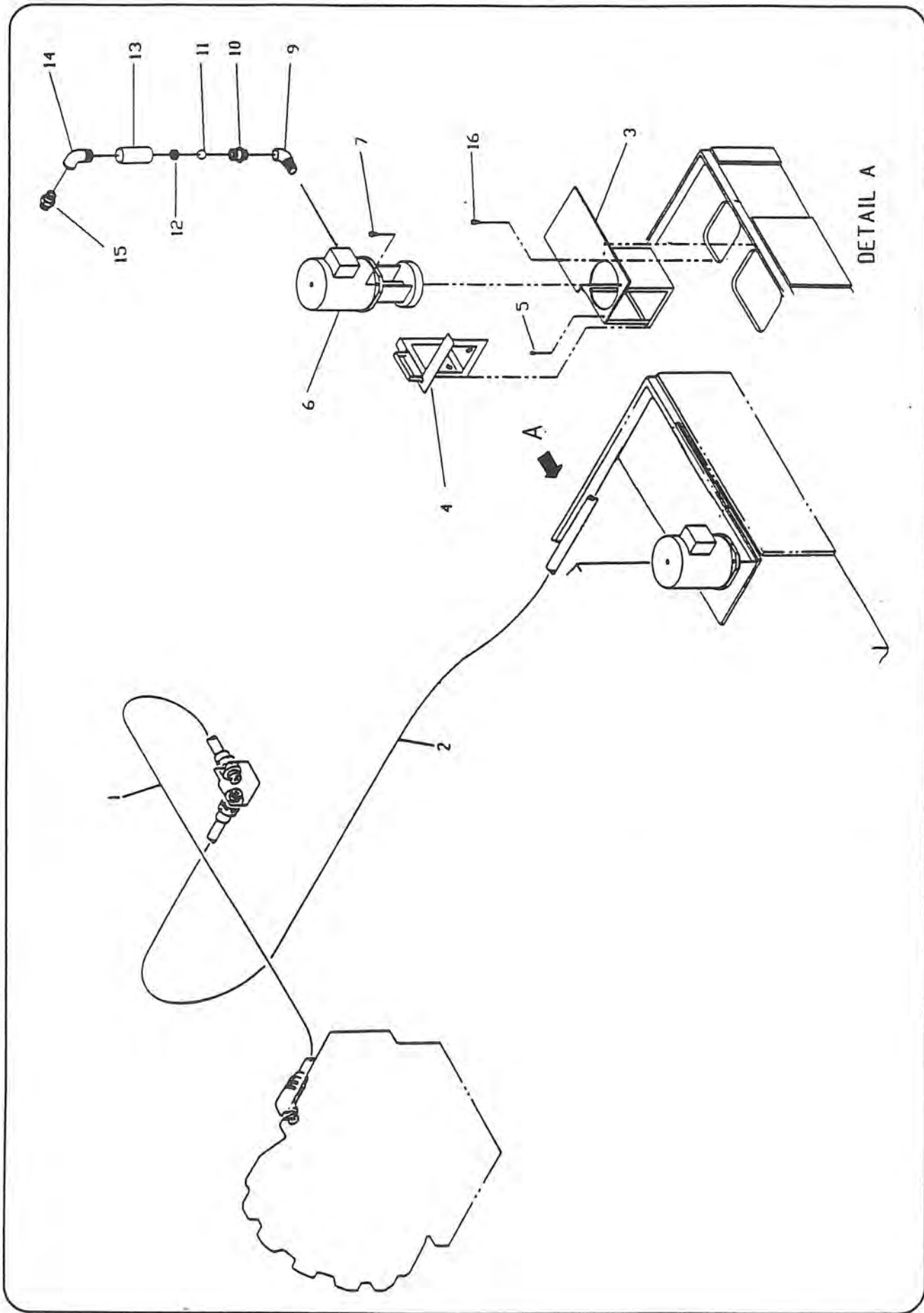
DETAIL D

DETAIL E

INDEX NO.	PART NO.	DESCRIPTION	UNIT NO.	QTY	INDEX NO.	PART NO.	DESCRIPTION	UNIT NO.	QTY
91-1	KF0-0298-01	HOSE, PARKER	A118X-8100	2					
91-2	F1242-2100-0	F421WCFUFU0606-1378 TUBE, PARKER PARFLEX	A118X-1202	1					
91-3	KF0-0296-00	HOSE, PARKER	A118X-2150	1					
91-4	KF0-0297-00	F421WCFUFU080808-1024 HOSE, PARKER	A118X-2150	1					
91-6	KF0-0053-00	F421WCFUFU080808-1043 HOSE, PARKER	A118X-4000	1					
91-9	KF0-0295-01	HOSE, PARKER	A118X-2150	1					
91-10	KF0-0301-01	F421FUJUT080808-23 HOSE, PARKER	A118X-2150	1					
91-11	KF1-0304-00	F421FUJUT080808-25 HYDRAULIC UNIT, PARKER	A118X-6913	1					
91-11	KF0-0305-00	(NO TAILSTOCK) HYDRAULIC UNIT, PARKER	A118X-6913	1					
91-12	C5000-100201	(TAILSTOCK) BOLT 10x20	A118X-0009	4					
91-13	C5140-000101	WASHER, polished 10	A118X-0009	4					
91-14	D7793-253400	HOSE, vinyl 25x3400	A118X-0009	1					
91-15	D7870-010022	JOINT, PARKER JIS	A118X-8100	2					
91-16	D5010-081101	BOLT, socket-head 8x10	A118X-0009	2					
91-17	118-6000-02-6	JOINT	A118X-0009	1					
91-18	H0010-0000-01	JOINT, NITTA C2N-1/4-PT 1/4	A118X-0009	2					
91-19	D2765-000351	CLAMP, wire 35	A118X-8100	1					
91-20	D7872-002542	JOINT	A118X-8100	1					
91-21	C7812-000442	JOINT	A118X-8100	1					
91-22	KD7870-020032	JOINT, PARKER JIS	A118X-2150	2					
91-23	H0010-0017-40	JOINT	A118X-2150	1					

OKUMA MACHINE TOOLS, INC.

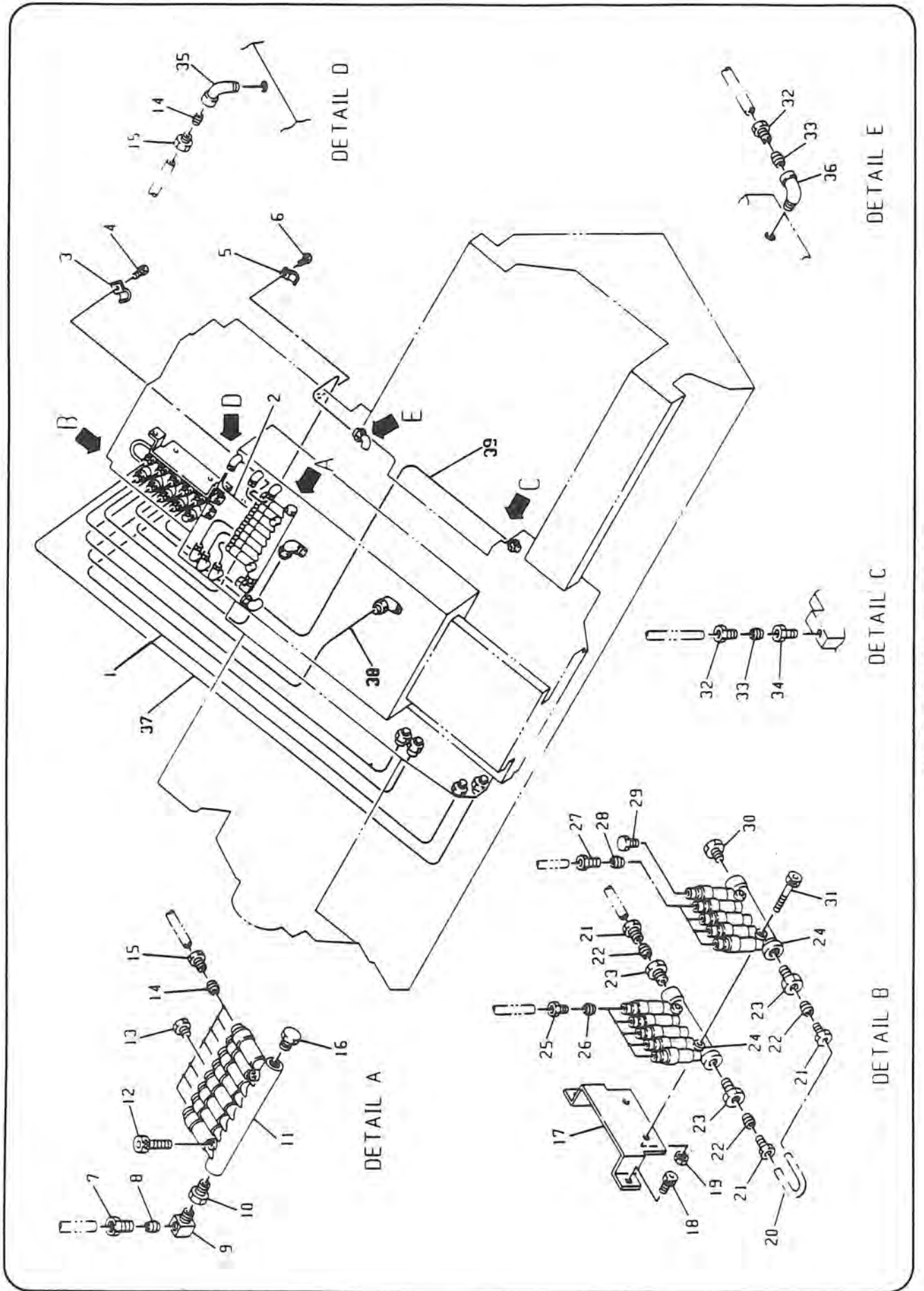
SHEET NO. 92 COOLANT PIPING



INDEX NO.	PART NO.	DESCRIPTION	UNIT NO.	QTY	INDEX NO.	PART NO.	DESCRIPTION	UNIT NO.	QTY
92-1	KF0-0300-00	HOSE, PARKER F421WCFUFU121212-68.9	A118X-6200	1					
92-2	KF0-0299-00	HOSE, PARKER F421WCFUFU121212-65.0	A118X-6200	1					
92-3	K118-6200-01-00	BOX	A118X-6214	1					
92-4	K118-6200-02-00	FILTER	A118X-6214	1					
92-5	C5030-008081	SET SCREW, 8x8	A118X-6214	2					
92-6	KF1-0121-00	PUMP, GUSHER VBV-44M	A127-3007	1					
92-7	C5010-080251	BOLT, socket-head 8x25	A118X-6214	2					
92-9	C7810-000442	JOINT	A118X-6214	1					
92-10	113-0800-23	JOINT	A118X-6214	1					
92-11	C5901-002540	STEEL BALL	A118X-6214	1					
92-12	M109-1027-92	SPRING	A118X-6214	1					
92-13	113-0800-22	VALVE	A118X-6214	1					
92-14	C7812-000442	ELBOW 3/4x3/4	A118X-6214	1					
92-15	D7870-010042	JOINT, hose 3/4	A118X-6200	1					
92-16	C5010-080161	BOLT, socket-head 8x16	A118X-6214	2					
92-17	D7782-000042	NIPPLE, barrel 3/4	a118x-6200	1					

OKUMA MACHINE TOOLS, INC.

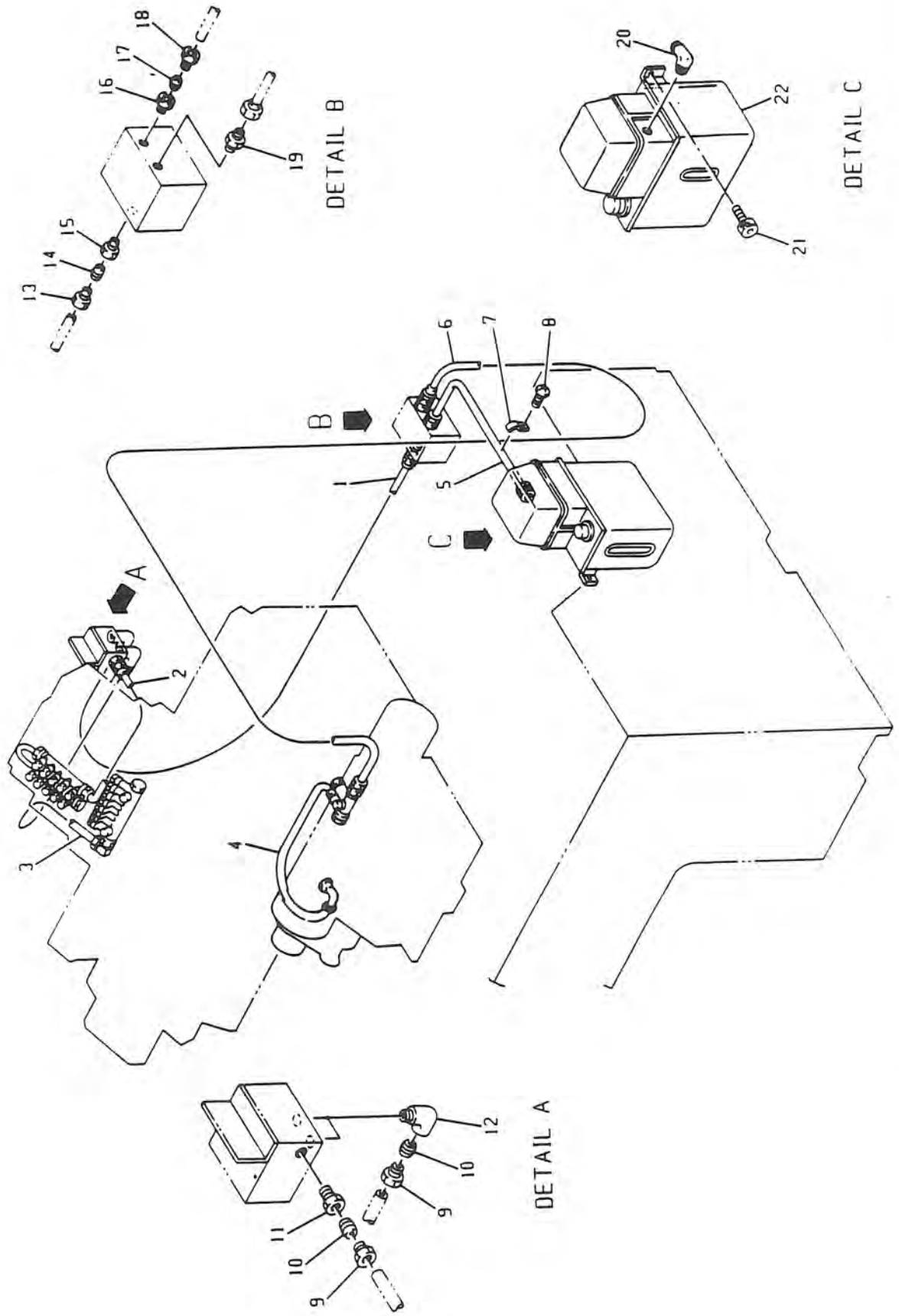
SHEET NO. 93 LUBRICATION PIPING (1)



INDEX NO.	PART NO.	DESCRIPTION	UNIT NO.	QTY	INDEX NO.	PART NO.	DESCRIPTION	UNIT NO.	QTY
93-1	H0022-0001-16	PIPE, NYLON SHOWA M4x5000	A118X-2150	1	93-37	D7781-040980	PIPE, steel	A118X-2150	1
93-2	D7781-040150	PIPE, steel 4x145	A118X-2150	1	93-38	D7781-040640	PIPE, steel	A118X-2150	1
93-3	D7700-001060	PIPE HOLDER, A PZ-16	A118X-2150	1	93-39	D7781-040960	PIPE, steel	A118X-2150	1
93-4	C5040-005081	SCREW, pan-head 5x8	A118X-2150	1					
93-5	D7700-002040	PIPE HOLDER	A118X-2150	1					
93-6	C5040-005081	SCREW, pan-head 5x8	A118X-2150	1					
93-7	H0012-0001-12	PLUG PA SHOWA PA-6	A118-2250	1					
93-8	H0012-0001-11	SLEEVE PB-6	A118-2250	1					
93-9	H0012-0005-01	ELBOW PH SHOWA PH6-2	A118-2250	3					
93-10	H0012-0004-99	NIPPLE KH-5	A118-2250	2					
93-11	H0012-0004-72	PLUNGER DPB-28	A118-2250	1					
93-12	C5010-050251	BOLT, socket-head 5x25	A118-2250	2					
93-13	H0012-0006-29	SEAL PLUG SHOWA PG-004	A118-2250	1					
93-14	H0012-0000-89	SLEEVE PB SHOWA PB-4	A118-2250	15					
93-15	H0012-0000-88	PLUG PA-4	A118-2250	15					
93-16	H0012-0004-96	SEAL PLUG PG SHOWA PG-12	A118X-2150	1					
93-17	I18-2000-13	SUPPORT	A118X-2150	1					
93-18	C5010-060121	BOLT, socket-head 6x12	A118X-2150	2					
93-19	C5110-000051	NUT, hex, NO.4 5	A118X-2150	2					
93-20	D7781-060150	PIPE, steel 6x150	A118X-2150	1					
93-21	H0012-0001-12	PLUG PA SHOWA PA-6	A118X-2150	3					
93-22	H0012-0001-11	SLEEVE PB SHOWA PB-6	A118X-2150	3					
93-23	H0012-0004-97	NIPPLE PD SHOWA PD-612	A118X-2150	3					
93-24	H0012-0004-98	PLUNGER SHOWA DPB-25-0.1	A118X-2150	2					
93-25	H0012-0000-88	PLUG PA SHOWA PA-4	A118X-2150	5					
93-26	H0012-0000-89	SLEEVE PB SHOWA PB-4	A118X-2150	5					
93-27	H0012-0000-88	PLUG PA-4	A118X-2150	4					
93-28	H0012-0000-89	SLEEVE PB SHOWA PB-4	A118X-2150	4					
93-29	H0012-0006-29	SEAL PLUG PG-004	A118X-2150	1					
93-30	H0012-0004-96	SEAL PLUG PG-12	A118X-2150	1					
93-31	C5010-050401	BOLT, socket-head 5x40	A118X-2150	2					
93-32	H0012-0000-88	PLUG PA-4	A118X-2150	9					
93-33	H0012-0000-89	SLEEVE PB-4	A118X-2150	5					
93-34	H0010-0000-68	NIPPLE PD-4	A118X-2150	5					
93-35	H0010-0007-97	ELBOW PHD-4	A118-2250	7					
93-36	H0010-0007-97	ELBOW PHD SHOWA PHD-4	A118X-2150	4					

OKUMA MACHINE TOOLS, INC.

SHEET NO. 94 LUBRICATION PIPING (2)



INDEX NO.	PART NO.	DESCRIPTION	UNIT NO.	QTY	INDEX NO.	PART NO.	DESCRIPTION	UNIT NO.	QTY
94-1	H0022-0002-66	HOSE, flexible	A118X-2150	1					
94-2	D7781-060560	PIPE, steel 6x560	A118X-2150	1					
94-3	H0022-0002-62	HOSE, flexible	A118-2250	1					
94-4	D7781-040400	PIPE, steel 4x400	A118-4030	1					
94-5	D7781-061140	PIPE, steel 6x1140	A118X-6900	1					
94-6	H0022-0033-18	HOSE, flexible	A118-4030	1					
94-7	D7700-001060	PIPE HOLDER, A PZ-16	A118X-6900	4					
94-8	C5040-005081	SCREW, pan-head 5x8	A118X-6900	4					
94-9	H0012-0001-12	PLUG PA-6	A118X-2150	1					
94-10	H0012-0001-11	SLEEVE PB SHOWA PB-6	A118X-2150	3					
94-11	H0012-0001-10	NIPPLE PD-6	A118X-2150	1					
94-12	H0012-0002-44	ELBOW PH SHOWA PH-6	A118X-2150	2					
94-13	H0012-0001-12	PLUG PA-6	A118X-2150	1					
94-14	H0012-0001-11	SLEEVE PB-6	A118X-2150	1					
94-15	H0012-0004-21	NIPPLE KH SHOWA KH-2	A118X-2150	1					
94-16	H0012-0004-21	NIPPLE KH-2	A118-4000	1					
94-17	H0012-0001-11	SLEEVE PB SHOWA PB-6	A118-4000	1					
94-18	H0012-0001-12	PLUG PA-6	A118-4000	1					
94-19	D2781-000612	JOINT, pipe NTN PA-6-PT 1/4	A118X-0009	1					
94-20	D2781-020612	ELBOW	A118X-6900	1					
94-21	C5010-080121	BOLT, socket-head 8x12	A118X-6900	2					
94-22	KF1-0290-00	TANK, Lubrication	A118X-6900	1					

PIPING GROUP

PART NO. LIST

Part No.	Index	Qty	Part No.	Index	Qty	Part No.	Index	Qty
113-0800-22	92-13	1	D7781-061140	94-5	1	H0012-0004-97	93-23	3
113-0800-23	92-10	1	D7782-000022	81-57	1	H0012-0004-98	93-24	2
118-2000-13	93-17	1	D7782-000042	92-17	1	H0012-0004-99	93-10	2
118-6000-02-6	91-17	1	D7793-253400	91-14	1	H0012-0005-01	93-9	3
C5000-100201	91-12	4	D7870-010022	91-15	2	H0012-0006-29	93-13	1
C5010-050251	93-12	2	D7870-010042	92-15	1	H0012-0006-29	93-29	1
C5010-050401	93-31	2	D7872-002542	91-20	1	H0022-0001-16	93-1	1
C5010-060121	93-18	2	F1242-2100-0	91-2	1	H0022-0002-62	94-3	1
C5010-080121	94-21	2	H0010-0000-01	91-18	2	H0022-0002-66	94-1	1
C5010-080161	92-16	2	H0010-0000-68	93-34	5	H0022-0033-18	94-6	1
C5010-080251	92-7	2	H0010-0007-97	93-35	7	K118-6200-01-00	92-3	1
C5030-008081	92-5	2	H0010-0007-97	93-36	4	K118-6200-02-00	92-4	1
C5040-005081	93-4	1	H0010-0017-40	91-23	1	KD7870-020032	91-22	2
C5040-005081	93-6	1	H0012-0000-88	93-27	4	KF0-0053-00	91-6	1
C5040-005081	94-8	4	H0012-0000-88	93-32	9	KF0-0295-01	91-9	1
C5110-000051	93-19	2	H0012-0000-88	93-15	15	KF0-0296-00	91-3	1
C5110-000101	81-56	12	H0012-0000-88	93-25	5	KF0-0297-00	91-4	1
C5140-000101	91-13	4	H0012-0000-89	93-28	4	KF0-0298-01	91-1	2
C5160-000101	81-55	12	H0012-0000-89	93-26	5	KF0-0299-00	92-2	1
C5901-002540	92-11	1	H0012-0000-89	93-33	5	KF0-0300-00	92-1	1
C7810-000442	92-9	1	H0012-0000-89	93-14	15	KF0-0301-01	91-10	1
C7812-000442	91-21	1	H0012-0001-10	94-11	1	KF0-0305-00	91-11	1
C7812-000442	92-14	1	H0012-0001-11	94-14	1	KF1-0121-00	92-6	1
D2760-000222	81-58	1	H0012-0001-11	94-10	3	KF1-0290-00	94-22	1
D2765-000351	91-19	1	H0012-0001-11	94-17	1	KF1-0304-00	91-11	1
D2781-000612	94-19	1	H0012-0001-11	93-22	3	M109-1027-92	92-12	1
D2781-020612	94-20	1	H0012-0001-11	93-8	1			
D5010-081101	91-16	2	H0012-0001-12	93-7	1			
D7700-001060	94-7	4	H0012-0001-12	94-13	1			
D7700-001060	93-3	1	H0012-0001-12	94-18	1			
D7700-002040	93-5	1	H0012-0001-12	93-21	3			
D7781-040150	93-2	1	H0012-0001-12	94-9	1			
D7781-040400	94-4	1	H0012-0002-44	94-12	2			
D7781-040640	93-38	1	H0012-0004-21	94-16	1			
D7781-040960	93-39	1	H0012-0004-21	94-15	1			
D7781-040980	93-37	1	H0012-0004-72	93-11	1			
D7781-060150	93-20	1	H0012-0004-96	93-30	1			
D7781-060560	94-2	1	H0012-0004-96	93-16	1			

PART NO. LIST

Part No.	Index	Qty	Part No.	Index	Qty	Part No.	Index	Qty
101-0300-13-1	28-2	2	118-1200-14-1	7-25	1	118-2000-36-1	28-8	1
101-0300-14	28-1	2	118-1200-17	7-22	1	118-2000-37	28-21	1
108-0014-04-2	21-28	8	118-1200-18-3	7-31	1	118-2000-38	28-17	1
108-0301-17-1	28-11	1	118-1200-19-4	4-28	1	118-2000-39-3	28-12	1
108-0301-18-2	28-10	1	118-1200-20-2	7-30	1	118-2000-40-3	28-4	1
113-0260-05	26-44	4	118-1200-21-1	7-19	1	118-2000-41	28-3	2
113-0800-22	92-13	1	118-1200-22	3-27	2	118-2000-42	28-9	1
113-0800-23	92-10	1	118-1200-23-1	4-17	1	118-2100-04-3	22-22	1
117-0200-08-2	25-7	2	118-1200-24-7	4-24	1	118-2100-05-2	22-45	1
118-0000-02-12	21-5	1	118-1200-30	4-21	1	118-2100-09-1	22-18	1
118-0000-04	1-15	2	118-1205-03	7-26	1	118-2100-10	22-19	1
118-0100-29-9	1-19	1	118-1300-03-4	7-2	1	118-2100-13-5	22-13	1
118-0200-16	21-11	2	118-1300-08-2	7-6	1	118-2100-14-2	22-24	1
118-0200-17-4	75-10	1	118-1300-09-2	7-5	2	118-2100-20-2	23-12	1
118-0200-19	21-18	1	118-1300-10	7-8	1	118-2100-28-1	23-13	1
118-0300-22-3	2-2	1	118-1400-04-3	9-21	1	118-2100-29-2	22-1	1
118-0300-23-1	2-11	1	118-1400-05-2	9-9		118-2100-31-1	22-21	1
118-0300-28-1	2-8	1	118-1400-16	10-5	1	118-2100-44-2	22-28	1
118-0300-29-1	2-7	1	118-1500-50-2	2-22	1	118-2100-47-1	24-23	1
118-0300-30-1	2-9	1	118-1500-51-3	2-23	1	118-2100-48-2	24-10	1
118-0300-35	2-12	1	118-1500-55-5	4-14	1	118-2100-49-1	24-26	1
118-0300-36	2-3	1	118-1502-24-02	2-21	1	118-2100-50-3	22-31	1
118-0300-43	2-4	1	118-1502-25-01	2-5	1	118-2100-58	23-15	1
118-0300-44	2-17	1	118-1502-32-03	4-12	1	118-2100-59-4	23-51	1
118-1000-05-5	3-34	1	118-2000-04-2	24-16	1	118-2100-60	23-25	1
118-1000-09-1	1-24	2	118-2000-08-2	24-5	2	118-2100-61-2	23-54	1
118-1000-11-6	1-4	1	118-2000-10-5	24-15	1	118-2100-65	23-6	1
118-1000-15-4	1-1	1	118-2000-12-3	24-36	1	118-2100-73	23-48	1
118-1000-15-4	4-39	1	118-2000-13	93-17	1	118-2100-85	23-9	1
118-1100-01-7	3-30	1	118-2000-14	25-22	1	118-2100-85	26-47	1
118-1100-28	3-2	1	118-2000-16-1	25-24	1	118-2100-86	26-48	1
118-1100-39-4	3-25	1	118-2000-21-2	24-33	1	118-2100-86-1	23-8	1
118-1100-40-3	3-26	1	118-2000-22	24-41	1	118-2100-93	22-11	1
118-1200-02-5	4-27	1	118-2000-23-3	24-32	1	118-2100-94	22-14	1
118-1200-03-3	3-18	1	118-2000-28-1	25-18	1	118-2101-09	23-33	1
118-1200-04-1	3-17	1	118-2000-34-7	24-14	1	118-2200-05-1	27-17	1
118-1200-06	7-24	1	118-2000-35-3	28-14	1	118-2200-15-1	26-1	1

PART NO. LIST

Part No.	Index	Qty	Part No.	Index	Qty	Part No.	Index	Qty
118-2200-17	26-7	1	118-3020-25-3	43-11	1	118-4100-41-3	51-13	2
118-2200-19-2	26-6	1	118-3020-28	46-14	1	118-5000-04-4	21-24	1
118-2200-22-4	25-6	1	118-3020-29	46-1	1	118-5000-06-1	21-27	3
118-2200-23-1	25-1	1	118-3020-33-3	45-12	1	118-5100-69	75-4	2
118-2200-27-2	27-20	1	118-3020-34-1	43-20	1	118-5100-90	75-15	1
118-2200-35-4	26-43	1	118-3020-35-2	42-18	1	118-6000-02-6	91-17	1
118-2200-36-3	27-21	1	118-3020-40-3	43-6	1	118-6000-10	21-15	1
118-2200-37-2	27-30	1	118-3020-41-1	42-22	1	118-6000-39	75-25	1
118-2200-38-2	27-27	1	118-3020-78-1	42-21	1	118-6000-40-3	75-33	1
118-2200-64-1	25-13	1	118-3020-84-1	46-43	1	118-6000-43-1	75-28	6
118-2200-65-2	26-14	1	118-3021-01-3	47-9	1	118-6000-44	75-31	1
118-2200-66-3	27-15	1	118-3021-02	47-13	1	118-6000-45	75-30	1
118-2200-68	26-11	1	118-3021-03-1	47-4	1	118-6210-04-1	41-23	1
118-2200-69-1	26-15	1	118-3100-03-54	41-14	12	118-6210-05	41-38	1
118-2200-72	25-11	1	118-3100-04-1	48-2	12	118-6210-06	41-28	1
118-2200-73-2	25-4	1	118-3100-04-1	48-34	1	118-6210-73-2	41-34	1
118-2200-76	26-37	1	118-3120-02	41-2	1	118-6210-74-2	41-33	1
118-3000-09-3	42-2	1	118-3122-01-8	41-7	1	118-6210-75-1	41-30	1
118-3000-11-2	41-9	1	118-4000-18-2	51-26	1	118-6210-75-1	47-19	1
118-3000-27-2	43-2	1	118-4000-37-3	53-8	1	118-6210-76-1	47-20	1
118-3000-34-1	45-10	3	118-4000-41	51-22	1	118-6210-76-1	41-31	1
118-3000-36	46-29	1	118-4000-66-3	53-14	1	118-6210-82	47-22	1
118-3000-37	46-26	1	118-4000-67-3	53-21	1	118-7000-04-4	78-21	1
118-3000-40-1	46-23	6	118-4000-68-1	53-6	1	118-7000-07-5	81-1	1
118-3000-41-2	46-38	1	118-4000-69	53-3	1	118-7000-19-6	78-10	1
118-3000-51	45-21	1	118-4000-71	53-17	1	118-7000-20-4	78-15	1
118-3000-52	45-20	1	118-4000-72	53-9	1	118-7000-21	78-7	1
118-3000-53-2	45-15	2	118-4001-08-3	53-5	1	118-7000-23-2	78-4	1
118-3000-76-1	46-46	1	118-4001-08-3	53-5	1	118-7000-24-5	78-3	1
118-3000-80-2	43-4	1	118-4001-09	53-28	1	118-7100-15-1	71-16	3
118-3020-04-1	42-10	1	118-4001-10	53-23	1	118-7100-18-3	71-42	4
118-3020-05-54	41-8	1	118-4001-49	51-14	1	118-7100-19-1	71-41	4
118-3020-06-3	42-3	1	118-4080-02	51-24	1	118-7100-20	71-36	4
118-3020-21-6	42-16	1	118-4080-03-2	51-35	2	118-7100-23	74-11	1
118-3020-22	45-1	1	118-4080-04-2	51-34	2	118-7100-29-4	71-14	1
118-3020-23-3	42-6	1	118-4080-05-2	51-31	2	118-7100-33-2	71-8	1
118-3020-24-1	42-13	1	118-4080-06-1	51-28	2	118-7100-36	72-20	1

PART NO. LIST

Part No.	Index	Qty	Part No.	Index	Qty	Part No.	Index	Qty
118-7100-36	73-20	1	118-8108-55	11-4	1	118-9002-90-3	81-13	1
118-7100-49-1	73-15	1	118-8108-56	11-2	1	118-9002-91-1	81-18	1
118-7100-51-3	71-18	1	118-8108-60	12-28	1	118-9100-02-1	74-22	1
118-7100-52-1	71-25	2	118-8108-61	12-36	1	118-9203-23-5	46-16	1
118-7100-56	81-26	1	118-8108-64	13-17	1	119-3100-08-2	48-22	1
118-7100-56	72-11	1	118-8108-65-1	12-23	1	119-3100-09-3	48-9	1
118-7100-56	73-11	1	118-8108-66-3	12-24	1	119-3100-09-3	41-5	12
118-7100-58-3	71-29	2	118-8108-71-1	12-19	1	119-3100-09-3	48-29	1
118-7100-59-1	71-27	2	118-8108-72	12-16	4	123-3111-27	3-8	1
118-7100-81	71-19	2	118-8108-72	14-16	4	123-3111-29-1	3-1	1
118-7101-84-1	74-13	1	118-8108-73	12-20	1	123-3111-30-1	3-31	1
118-7102-59	71-7	1	118-8108-92	14-2	1	123-7110-05-1	3-3	1
118-7102-62	71-45	1	118-8108-93-3	14-24	1	124-0730-05	47-26	1
118-7102-63	71-17	4	118-8108-94	14-14	2	127-0100-03-2	1-21	1
118-7120-18-2	71-48	1	118-8108-95-1	14-19	1	127-0100-04-2	4-34	1
118-7120-21-2	71-46	3	118-8108-96	14-18	2	127-0100-10	9-1	2
118-7120-22-2	71-47	1	118-8108-98	14-20	1	127-0100-17	10-4	1
118-7200-03-1	76-23	2	118-8109-01-2	14-4	1	127-0102-01-7	4-20	1
118-7200-10-5	76-1	1	118-8109-02-1	14-41	1	127-0110-07-3	3-10	1
118-7200-12-1	76-21	1	118-8109-03	13-22	1	127-0110-08-3	3-4	1
118-7200-13-1	76-24	1	118-8109-03-01	14-36	1	127-0110-09-3	3-5	1
118-7200-14-6	76-4	1	118-8109-04-1	14-23	1	127-0110-10	3-11	1
118-7200-32	76-18	1	118-8109-04-1	13-9	1	127-0110-51-1	3-20	1
118-7200-33	76-16	1	118-8109-05-2	13-12	1	127-0110-55-2	3-19	1
118-7200-34	76-9	2	118-8109-06	13-2	1	127-0110-56	3-22	1
118-8000-03-1	48-5	1	118-8109-07-1	11-23	1	127-0110-57-1	3-23	1
118-8001-30-1	48-23	1	118-8113-16	12-40	1	127-3300-26	48-1	24
118-8001-30-1	41-18	12	118-8113-16	13-30	1	127-3300-26	48-4	1
118-8001-30-1	48-10	1	118-8113-16	14-46	1	127-3300-26	48-33	2
118-8001-30-1	48-30	1	118-9000-02-1	21-23	1	127-3301-17	46-5	2
118-8002-99	48-18	1	118-9000-03-1	21-7	2	127-3320-08	47-12	12
118-8003-01	48-20	1	118-9000-59	81-19	1	127-3320-26-1	47-8	12
118-8100-03	11-19	1	118-9000-60-1	81-23	1	127-6730-09	47-29	1
118-8100-45-2	11-24	1	118-9000-65	81-43	1	127-6730-10-2	47-35	1
118-8100-92-4	14-34	1	118-9000-92	81-39	1	127-6730-18-1	47-31	1
118-8100-92-4	13-20	1	118-9002-88-2	81-4	1	128-0112-04-1	7-28	2
118-8108-54	11-17	1	118-9002-89	81-9	1	128-0320-08-1	44-1	2

PART NO. LIST

Part No.	Index	Qty	Part No.	Index	Qty	Part No.	Index	Qty
128-0320-09-2	44-13	1	C5000-080351	23-10	2	C5010-050201	12-39	1
128-0320-18-2	43-16	1	C5000-100201	91-12	4	C5010-050201	14-45	2
128-0320-20	42-25	1	C5000-100301	1-20	4	C5010-050251	93-12	2
128-0320-21-1	42-26	1	C5000-120251	75-13	3	C5010-050301	44-10	2
128-0320-22-2	43-15	1	C5000-120301	1-26	2	C5010-050351	46-36	2
128-0320-23-2	44-6	1	C5000-120301	75-14	2	C5010-050401	93-31	2
128-0320-24-1	44-7	1	C5000-120351	1-25	4	C5010-050451	7-34	4
128-0320-25-1	44-8	1	C5000-120401	1-20	4	C5010-060101	75-35	2
128-0320-26-3	44-11	1	C5000-120451	24-37	4	C5010-060101	44-2	4
137-0111-14-1	4-30	1	C5000-120501	26-46	4	C5010-060101	75-29	2
147-0113-12	7-16	1	C5000-120501	46-9	1	C5010-060101	13-1	4
191-6714-17-2	81-44	1	C5000-120551	46-8	5	C5010-060101	81-25	3
BL-120E-20	23-1	1	C5000-160551	51-12	2	C5010-060101	73-28	2
BL-8OE-20	26-50	1	C5000-160601	51-11	2	C5010-060101	46-42	2
C0201-060251	26-8	2	C5000-240601	21-6	8	C5010-060101	73-9	4
C0201-060321	43-12	2	C5000-240601	21-22	3	C5010-060101	25-21	2
C0201-060361	7-20	1	C5000-240751	1-16	2	C5010-060101	81-21	6
C0201-080321	25-9	2	C5000-240801	1-14	3	C5010-060101	78-18	7
C0201-080321	46-4	2	C5010-010251	4-32	1	C5010-060101	27-18	2
C0201-080321	42-24	2	C5010-040101	28-20	10	C5010-060101	78-18	7
C0201-080321	28-16	1	C5010-040101	28-24	10	C5010-060101	72-9	4
C0201-080361	42-4	2	C5010-040101	28-5	10	C5010-060101	41-15	12
C0201-080361	41-12	2	C5010-040101	24-7	5	C5010-060101	26-10	2
C0201-080361	47-6	2	C5010-040101	24-30	5	C5010-060101	9-7	8
C0201-080401	22-7	2	C5010-04101	24-1	8	C5010-060101	74-19	2
C0201-080401	22-4	2	C5010-050081	27-31	3	C5010-060101	78-2	3
C0201-080451	46-7	2	C5010-050081	27-29	2	C5010-060101	22-10	4
C0201-080501	24-12	1	C5010-050081	51-20	6	C5010-060101	26-13	2
C0500-000201	7-23	1	C5010-050081	51-15	6	C5010-060101	75-5	6
C5000-050081	46-12	11	C5010-050101	46-17	8	C5010-060121	74-5	8
C5000-060101	76-6	4	C5010-050101	27-26	3	C5010-060121	47-18	2
C5000-060101	76-5	2	C5010-050121	2-10	4	C5010-060121	41-29	2
C5000-060101	76-28	2	C5010-050141	43-1	3	C5010-060121	78-18	7
C5000-060101	76-27	4	C5010-050141	7-1	4	C5010-060121	81-11	2
C5000-060121	81-15	3	C5010-050141	7-11	2	C5010-060121	93-18	2
C5000-060161	76-11	2	C5010-050161	10-2	4	C5010-060121	74-23	10
C5000-080161	21-10	14	C5010-050201	13-29	2	C5010-060121	41-35	2

PART NO. LIST

Part No.	Index	Qty	Part No.	Index	Qty	Part No.	Index	Qty
C5010-060121	77-1	3	C5010-060301	48-3	12	C5010-080201	51-36	6
C5010-060121	28-18	2	C5010-060301	7-35	3	C5010-080201	12-37	2
C5010-060121	71-53	2	C5010-060301	48-35	1	C5010-080201	71-9	4
C5010-060121	51-1	1	C5010-060351	76-22	4	C5010-080201	76-26	2
C5010-060121	28-22	2	C5010-060351	47-17	2	C5010-080201	24-3	4
C5010-060121	78-40	2	C5010-060401	47-16	2	C5010-080201	13-23	2
C5010-060121	78-41	2	C5010-060401	41-21	2	C5010-080201	25-16	5
C5010-060121	24-24	4	C5010-080121	81-16	2	C5010-080201	45-4	2
C5010-060141	77-10	3	C5010-080121	22-2	2	C5010-080201	43-19	3
C5010-060141	13-10	4	C5010-080121	81-2	2	C5010-080201	51-33	4
C5010-060141	46-35	2	C5010-080121	81-28	1	C5010-080201	76-19	2
C5010-060141	4-18	3	C5010-080121	94-21	2	C5010-080201	53-22	4
C5010-060141	53-2	4	C5010-080121	75-26	4	C5010-080201	14-37	2
C5010-060141	53-25	2	C5010-080141	73-12	2	C5010-080201	75-32	2
C5010-060161	44-14	2	C5010-080141	74-27	4	C5010-080221	26-9	3
C5010-060161	53-11	4	C5010-080141	72-12	2	C5010-080251	24-29	2
C5010-060161	51-27	2	C5010-080141	81-34	2	C5010-080251	22-32	5
C5010-060161	42-19	6	C5010-080141	46-15	3	C5010-080251	42-23	4
C5010-060161	46-28	2	C5010-080161	78-20	2	C5010-080251	92-7	2
C5010-060161	12-25	4	C5010-080161	22-30	2	C5010-080251	43-8	3
C5010-060161	46-31	2	C5010-080161	92-16	2	C5010-080251	7-18	3
C5010-060161	12-9	4	C5010-080161	21-17	10	C5010-080251	24-6	2
C5010-060161	14-25	4	C5010-080161	75-8	6	C5010-080251	9-5	4
C5010-060161	47-14	12	C5010-080161	11-3	2	C5010-080301	2-18	2
C5010-060161	28-7	4	C5010-080161	46-37	2	C5010-080351	22-12	4
C5010-060161	14-9	4	C5010-080161	22-40	2	C5010-080401	71-15	3
C5010-060201	12-22	3	C5010-080161	77-7	2	C5010-080401	47-3	6
C5010-060201	22-34	1	C5010-080161	11-1	3	C5010-080401	41-11	4
C5010-060201	46-13	2	C5010-080161	21-9	2	C5010-080551	22-25	2
C5010-060201	43-13	5	C5010-080161	3-32	1	C5010-080601	45-8	4
C5010-060201	14-21	3	C5010-080161	78-16	3	C5010-100201	42-5	8
C5010-060201	46-2	2	C5010-080161	73-23	2	C5010-100201	25-14	1
C5010-060201	13-7	3	C5010-080161	71-5	4	C5010-100251	25-3	4
C5010-060201	27-23	2	C5010-080161	1-22	4	C5010-100251	42-8	8
C5010-060221	2-1	4	C5010-080161	72-23	2	C5010-100301	2-14	1
C5010-060301	48-6	1	C5010-080161	23-14	4	C5010-100301	25-17	2
C5010-060301	7-32	3	C5010-080201	22-27	2	C5010-100301	28-15	4

PART NO. LIST

Part No.	Index	Qty	Part No.	Index	Qty	Part No.	Index	Qty
C5010-100351	25-10	4	C5010-120651	23-52	3	C5040-000081	74-26	4
C5010-100451	47-7	12	C5010-120651	11-5	6	C5040-004081	46-32	4
C5010-100451	41-13	12	C5010-200701	21-3	8	C5040-004251	44-17	2
C5010-120201	21-14	4	C5022-000121	24-18	4	C5040-004251	44-17	2
C5010-120251	26-12	1	C5022-000161	42-15	1	C5040-004251	44-18	2
C5010-120301	26-16	3	C5022-000241	21-19	6	C5040-004251	44-18	2
C5010-120301	23-53	1	C5029-000061	51-21	1	C5040-004251	7-39	4
C5010-120301	26-51	4	C5029-000081	24-42	2	C5040-004451	44-5	6
C5010-120351	48-11	4	C5030-004061	47-32	1	C5040-005081	12-1	7
C5010-120351	27-16	2	C5030-004061	41-26	1	C5040-005081	23-56	6
C5010-120351	24-21	4	C5030-004121	41-27	1	C5040-005081	93-6	1
C5010-120351	14-40	6	C5030-004121	47-30	1	C5040-005081	93-4	1
C5010-120351	13-26	6	C5030-005081	47-25	1	C5040-005081	14-1	7
C5010-120351	23-2	4	C5030-006061	44-12	3	C5040-005081	9-2	2
C5010-120351	1-3	6	C5030-006081	7-15	1	C5040-005081	27-19	2
C5010-120351	13-21	6	C5030-006081	53-7	2	C5040-005081	78-9	1
C5010-120351	14-35	6	C5030-006081	3-12	1	C5040-005081	94-8	4
C5010-120351	43-24	2	C5030-008081	1-23	1	C5040-005081	71-12	3
C5010-120351	48-31	4	C5030-008081	92-5	2	C5040-005081	71-4	6
C5010-120401	75-20	4	C5030-008101	4-35	1	C5040-005101	74-16	1
C5010-120401	4-37	4	C5031-006101	71-24	2	C5040-005121	73-6	5
C5010-120401	47-11	12	C5031-006101	3-13	1	C5040-005121	74-10	4
C5010-120401	24-13	4	C5031-006121	47-33	1	C5040-005121	73-16	4
C5010-120401	24-31	1	C5031-006121	71-32	2	C5040-005121	74-9	5
C5010-120401	23-16	4	C5034-006061	43-17	2	C5040-005121	72-6	5
C5010-120401	7-12	2	C5034-008101	7-21	1	C5040-005121	72-16	4
C5010-120451	23-4	4	C5034-012121	46-3	2	C5040-006081	81-37	2
C5010-120451	22-3	4	C5034-012121	46-6	3	C5040-006081	75-23	8
C5010-120451	3-14	3	C5035-005101	12-42	1	C5040-006081	47-1	6
C5010-120451	22-36	2	C5035-006121	48-19	1	C5040-006081	75-17	6
C5010-120451	22-8	4	C5035-006121	41-24	1	C5040-006081	81-41	2
C5010-120501	3-36	6	C5035-008301	24-39	5	C5040-006081	23-26	8
C5010-120501	1-7	2	C5035-008301	24-20	5	C5040-006081	78-12	2
C5010-120551	27-9	2	C5036-006061	22-16	2	C5040-006081	75-16	6
C5010-120551	48-27	4	C5036-006081	44-19	1	C5040-006081	78-8	4
C5010-120601	28-13	8	C5036-006081	44-19	1	C5040-006081	41-10	6
C5010-120651	12-35	6	C5036-008081	48-17	1	C5040-006101	22-33	2

PART NO. LIST

Part No.	Index	Qty	Part No.	Index	Qty	Part No.	Index	Qty
C5040-006101	24-35	5	C5110-000061	47-34	1	C5140-000061	78-5	5
C5040-006101	72-17	11	C5110-000061	76-13	2	C5140-000061	76-29	4
C5040-006101	81-30	2	C5110-000061	77-12	3	C5140-000061	76-42	2
C5040-006101	78-6	5	C5110-000061	81-5	2	C5140-000061	46-30	2
C5040-006101	73-17	11	C5110-000061	71-21	2	C5140-000061	78-38	4
C5040-006101	22-41	2	C5110-000081	24-38	5	C5140-000061	46-27	2
C5040-006101	81-7	5	C5110-000081	23-11	2	C5140-000061	78-1	3
C5040-006101	76-14	3	C5110-000081	24-19	5	C5140-000061	76-15	3
C5040-006121	42-1	4	C5110-000101	71-22	2	C5140-000061	24-34	5
C5040-006121	81-49	2	C5110-000101	81-56	12	C5140-000081	12-34	2
C5040-006201	41-16	4	C5110-000101	71-30	4	C5140-000081	73-13	2
C5040-060101	74-25	7	C5110-000241	21-25	3	C5140-000081	72-24	2
C5040-060161	76-7	6	C5131-000151	26-42	1	C5140-000081	81-35	2
C5050-005081	26-3	2	C5131-000201	23-50	1	C5140-000081	76-20	2
C5050-005081	25-20	2	C5131-000851	3-6	1	C5140-000081	78-35	2
C5050-005101	13-32	1	C5131-001001	3-15	1	C5140-000081	14-39	2
C5050-005101	14-48	1	C5132-000401	2-19	1	C5140-000081	81-3	2
C5050-005101	25-23	2	C5132-000451	4-15	1	C5140-000081	22-39	2
C5050-005121	21-1	7	C5140-000041	7-37	4	C5140-000081	73-24	2
C5050-006081	76-30	4	C5140-000041	75-37	8	C5140-000081	72-13	2
C5050-006081	76-2	4	C5140-000051	46-11	11	C5140-000081	13-25	2
C5050-006141	48-21	2	C5140-000051	46-19	8	C5140-000081	22-29	2
C5050-006141	48-28	2	C5140-000051	23-55	6	C5140-000081	76-25	2
C5050-006141	41-6	24	C5140-000061	76-8	6	C5140-000101	71-26	2
C5050-006141	48-8	2	C5140-000061	12-11	4	C5140-000101	71-23	2
C5050-060301	71-51	3	C5140-000061	76-3	4	C5140-000101	71-31	4
C5054-006101	81-32	2	C5140-000061	14-17	4	C5140-000101	91-13	4
C5076-000020	82-5	2	C5140-000061	23-70	8	C5140-000121	23-5	4
C5076-000020	82-3	2	C5140-000061	71-52	2	C5140-000121	7-14	2
C5100-000051	47-24	1	C5140-000061	71-50	3	C5140-000121	1-8	2
C5100-000051	75-27	10	C5140-000061	81-20	2	C5150-000061	77-2	3
C5100-000051	46-21	12	C5140-000061	81-14	3	C5150-000061	72-19	11
C5100-000061	41-25	1	C5140-000061	14-11	4	C5150-000061	77-11	3
C5100-000121	45-9	3	C5140-000061	12-17	4	C5150-000061	81-6	5
C5110-000051	71-11	6	C5140-000061	81-24	3	C5150-000061	71-13	3
C5110-000051	93-19	2	C5140-000061	81-10	2	C5150-000061	78-19	7
C5110-000051	46-25	4	C5140-000061	76-12	4	C5150-000061	73-10	4

PART NO. LIST

Part No.	Index	Qty	Part No.	Index	Qty	Part No.	Index	Qty
C5150-000061	73-19	11	C5160-000061	75-18	6	C5160-000081	78-36	2
C5150-000061	74-4	8	C5160-000061	81-46	1	C5160-000101	2-13	1
C5150-000061	81-22	1	C5160-000061	81-45	4	C5160-000101	4-31	1
C5150-000061	78-19	7	C5160-000061	27-22	2	C5160-000101	81-55	12
C5150-000061	74-24	7	C5160-000061	81-38	2	C5160-000101	1-27	4
C5150-000061	75-19	6	C5160-000061	78-37	4	C5160-000121	7-13	2
C5150-000061	72-10	4	C5160-000061	81-48	6	C5160-000121	23-3	8
C5150-000061	78-11	2	C5160-000061	53-24	2	C5160-000121	26-45	8
C5150-000061	81-29	2	C5160-000061	78-32	5	C5160-000121	43-23	2
C5150-000061	81-31	2	C5160-000061	81-42	2	C5161-000061	13-8	3
C5150-000061	78-19	7	C5160-000061	23-69	8	C5161-000061	13-11	4
C5150-000081	75-9	6	C5160-000061	71-20	2	C5161-000061	12-26	4
C5150-000081	71-6	4	C5160-000061	46-41	2	C5161-000061	12-21	3
C5150-000081	81-17	2	C5160-000061	78-31	5	C5161-000061	14-22	3
C5150-000081	81-27	1	C5160-000061	72-4	4	C5161-000061	14-26	4
C5150-000081	78-17	3	C5160-000061	78-34	7	C5170-050250	7-3	1
C5150-000121	75-12	5	C5160-000061	81-50	5	C5170-070250	43-25	1
C5152-000400	2-20	1	C5160-000061	71-49	3	C5170-100450	42-7	2
C5152-000450	4-16	1	C5160-000061	78-33	2	C5171-007380	4-23	1
C5153-000150	26-41	1	C5160-000061	76-41	2	C5175-151101	3-28	2
C5153-000200	25-2	1	C5160-000061	81-51	2	C5180-000200	7-9	1
C5153-000200	23-49	1	C5160-000061	72-18	11	C5180-000350	11-21	1
C5153-000250	22-17	1	C5160-000061	73-18	11	C5180-000500	43-9	1
C5153-000850	3-7	1	C5160-000061	12-10	4	C5181-000470	7-7	2
C5153-001000	3-16	1	C5160-000061	76-43	4	C5181-000900	4-26	1
C5160-000041	46-33	4	C5160-000061	73-4	4	C5201-003060	26-2	1
C5160-000041	44-16	2	C5160-000061	24-44	3	C5201-006120	24-40	2
C5160-000041	44-4	8	C5160-000081	81-47	2	C5201-006120	24-17	2
C5160-000041	7-38	4	C5160-000081	14-38	2	C5211-040160	2-15	1
C5160-000041	75-36	8	C5160-000081	73-5	2	C5211-060120	3-29	1
C5160-000051	27-25	3	C5160-000081	12-38	2	C5486-025306	22-43	1
C5160-000051	23-71	6	C5160-000081	72-25	2	C5487-052306	22-44	1
C5160-000051	46-24	4	C5160-000081	81-52	2	C5800-004030	22-15	2
C5160-000051	27-28	2	C5160-000081	73-25	2	C5901-002540	92-11	1
C5160-000051	46-18	8	C5160-000081	78-39	3	C7720-000222	10-10	10
C5160-000061	9-8	8	C5160-000081	13-24	2	C7770-000022	10-9	10
C5160-000061	14-10	4	C5160-000081	72-5	2	C7800-000412	11-7	1

PART NO. LIST

Part No.	Index	Qty	Part No.	Index	Qty	Part No.	Index	Qty
C7805-000442	11-8	1	D5000-242201	1-9	4	D6110-00P130	42-14	1
C7810-000442	92-9	1	D5010-061051	45-3	2	D611-000G80	4-33	1
C7812-000222	9-22	1	D5010-061351	45-2	3	D7700-001060	94-7	4
C7812-000442	14-5	1	D5010-081101	91-16	2	D7700-001060	93-3	1
C7812-000442	9-16	1	D5015-400801	53-12	4	D7700-002040	93-5	1
C7812-000442	13-3	1	D5089-060151	51-25	1	D7780-202500	10-14	1
C7812-000442	14-44	1	D5160-000051	44-9	2	D7780-202900	10-13	2
C7812-000442	92-14	1	D5160-000061	53-10	4	D7780-205000	10-7	1
C7812-000442	9-24	1	D5211-040100	4-38	1	D7780-205800	10-6	2
C7812-000442	9-24	1	D5250-080080	3-35	1	D7780-206000	10-15	1
C7812-000442	13-4	1	D5901-000950	45-13	2	D7780-207100	10-8	2
C7812-000442	91-21	1	D5901-001110	47-28	1	D7780-208500	10-12	1
C7846-000542	12-27	1	D5901-001590	41-36	1	D7781-040150	93-2	1
C7846-000542	13-15	1	D6101-308500	3-33	1	D7781-040400	94-4	1
C7846-000542	14-27	1	D6110-0000P28	43-5	1	D7781-040640	93-38	1
C7850-000022	9-23	1	D6110-0000P7	24-25	1	D7781-040960	93-39	1
C7861-000002	10-16	11	D6110-0000P7	24-11	2	D7781-040980	93-37	1
C7861-000012	10-11	1	D6110-0000P9	45-6	3	D7781-060150	93-20	1
C7861-000012	47-23	3	D6110-0000P9	43-7	7	D7781-060560	94-2	1
C7861-000012	41-4	12	D6110-000G35	7-29	2	D7781-061140	94-5	1
C7861-000042	23-17	1	D6110-000G70	53-16	1	D7781-080120	9-15	1
D2760-000222	81-58	1	D6110-000G85	42-17	1	D7781-080150	9-12	1
D2765-000351	14-29	3	D6110-000G85	4-36	1	D7782-000022	81-57	1
D2765-000351	11-10	2	D6110-000P10	53-15	1	D7782-000042	92-17	1
D2765-000351	91-19	1	D6110-000P12	41-32	1	D7792-252700	11-14	1
D2765-000351	9-18	2	D6110-000P21	47-21	1	D7793-250600	9-4	1
D2765-000351	9-18	2	D6110-000P22	41-19	1	D7793-250600	9-4	1
D2765-000351	12-6	3	D6110-000P22	45-5	1	D7793-251500	12-7	1
D2765-000351	14-7	3	D6110-000P22	47-15	1	D7793-251500	14-8	1
D2765-000351	13-6	3	D6110-000P28	45-7	1	D7793-251500	13-14	1
D2781-000402	51-10	1	D6110-000P29	11-18	1	D7793-252700	12-8	1
D2781-000612	94-19	1	D6110-000P36	51-29	2	D7793-252700	13-16	1
D2781-000802	9-13	1	D6110-000P5	45-11	3	D7793-252700	14-30	1
D2781-000812	9-11	1	D6110-000P50	11-20	1	D7793-253400	91-14	1
D2781-020612	94-20	1	D6110-00G135	42-11	1	D7866-000043	53-27	1
D2781-020802	9-14	1	D6110-00G150	41-3	1	D7867-263635	53-26	1
D5000-242001	21-26	3	D6110-00G190	47-5	1	D7870-010022	91-15	2

PART NO. LIST

Part No.	Index	Qty	Part No.	Index	Qty	Part No.	Index	Qty
D7870-010032	45-19	2	H0001-0003-08	13-13	1	H0012-0001-12	51-9	1
D7870-010042	92-15	1	H0001-0003-08	14-33	1	H0012-0002-44	94-12	2
D7870-020022	12-31	2	H0001-0004-26	11-6	1	H0012-0004-21	94-16	1
D7870-020022	13-19	2	H0010-0000-01	91-18	2	H0012-0004-21	94-15	1
D7870-020022	14-31	2	H0010-0000-17	9-10	1	H0012-0004-72	93-11	1
D7870-020022	11-11	2	H0010-0000-17	9-26	1	H0012-0004-95	51-3	1
D7870-030042	45-17	1	H0010-0000-17	9-26	1	H0012-0004-96	51-2	1
D7872-002542	11-9	2	H0010-0000-68	93-34	5	H0012-0004-96	93-30	1
D7872-002542	12-5	3	H0010-0002-17	7-17	2	H0012-0004-96	93-16	1
D7872-002542	14-6	3	H0010-0007-97	93-36	4	H0012-0004-97	51-7	1
D7872-002542	9-25	1	H0010-0007-97	93-35	7	H0012-0004-97	93-23	3
D7872-002542	91-20	1	H0010-0013-31	11-12	1	H0012-0004-98	93-24	2
D7872-002542	14-28	3	H0010-0013-31	13-18	1	H0012-0004-99	93-10	2
D7872-002542	9-17	1	H0010-0013-36	9-27	1	H0012-0005-01	93-9	3
D7872-002542	9-25	1	H0010-0017-40	91-23	1	H0012-0006-29	51-5	1
D7872-002542	13-5	3	H0012-0000-88	51-6	1	H0012-0006-29	93-13	1
E1004-288-013	1-28	1	H0012-0000-88	93-32	9	H0012-0006-29	93-29	1
E3012-891-001	24-22	1	H0012-0000-88	93-15	15	H0022-0001-16	93-1	1
E3012-891-001	46-39	1	H0012-0000-88	93-27	4	H0022-0002-62	94-3	1
E3012-891-001	71-58	2	H0012-0000-88	93-25	5	H0022-0002-66	94-1	1
E3019-391-017	44-3	7	H0012-0000-89	51-4	1	H0022-0033-18	94-6	1
E3019-891-017	7-36	2	H0012-0000-89	93-28	4	H0031-0008-83	53-19	1
E3019-891-018	44-15		H0012-0000-89	93-14	15	H0031-0008-84	53-20	1
E3020-397-102	14-12	2	H0012-0000-89	93-26	5	H0031-0008-85	53-18	1
E3020-397-102	12-12	2	H0012-0000-89	93-33	5	H0031-0008-86	53-13	1
E3539-490-002	74-18	1	H0012-0001-10	94-11	1	H0031-0008-92	43-3	1
E3583-490-005	74-28	2	H0012-0001-11	93-8	1	H0031-0009-26	7-27	2
F0101-10-000-54	9-6	1	H0012-0001-11	94-14	1	H0031-0009-31	41-17	1
F019-0001-22	9-6	1	H0012-0001-11	94-10	3	H0031-0009-35	53-4	1
F019-0001-36	43-18	1	H0012-0001-11	94-17	1	H0031-0011-87	42-20	1
F019-0001-56	43-22	1	H0012-0001-11	51-8	1	H0031-0011-87	42-12	1
F109-0000-56	43-21	2	H0012-0001-11	93-22	3	H0031-0161-07	10-3	1
F1100-032-04508	25-12	1	H0012-0001-12	93-21	3	H0032-1161-03	10-1	1
F1110-035-04804	25-5	1	H0012-0001-12	94-9	1	H0039-0000-77	9-20	1
F1234-1500-0	9-3	1	H0012-0001-12	93-7	1	H0039-0001-28	9-19	1
F1242-2100-0	91-2	1	H0012-0001-12	94-18	1	H0039-0002-14	1-2	1
H0001-0003-07	12-33	1	H0012-0001-12	94-13	1	H0190-0026-24	81-40	1

PART NO. LIST

Part No.	Index	Qty	Part No.	Index	Qty	Part No.	Index	Qty
H0190-0026-32	81-40	1	H1023-0005-66	24-43	1	K118-5000-03-02	75-21	1
H0190-0026-33	81-40	1	H1023-0005-67	24-27	1	K118-6200-01-00	92-3	1
H1000-0002-47	47-10	12	H1023-0005-68	24-9	1	K118-6200-02-00	92-4	1
H1001-0008-61	48-24	2	H1023-0005-72	51-16	1	K118-6200-03-00	75-34	1
H1004-0001-34	4-25	1	H1023-0005-73	51-19	1	K118-6500-10-01	78-14	1
H1005-0001-26	4-7	1	H1023-0006-10-1	71-1	1	K118-6500-11-01	78-22	1
H1011-0001-62	27-24	1	H1023-0007-02	28-19	1	K118-6500-13-00	72-15	1
H1014-0002-91	25-15	1	H1023-0007-03	28-23	1	K118-6500-14-00	76-31	1
H1014-0002-93	22-9	1	H1023-007-01	28-6	1	K118-6500-16-00	74-2	1
H1019-1004-20-2	26-49	1	H1023-1015-19	47-36	1	K118-6500-17-01	76-32	1
H1019-1004-20-3	23-7	1	H1023-1019-47	41-22	1	K118-6500-18-00	74-7	1
H1019-1007-22	26-18	1	H1023-1033-56	76-10	1	K118-6500-19-00	71-3	1
H1019-1007-23	23-20	1	H1023-1033-57	76-10	1	K118-6500-20-00	71-10	1
H1020-1046-09-2	72-8	1	H1024-0001-24	22-6	1	K118-6500-23-03	72-2	1
H1020-1046-09-2	73-8	1	H1025-1001-55	26-4	1	K118-6500-25-02	74-8	1
H1020-1046-10-2	72-14	1	H1030-1001-94-1	22-35	1	K118-6500-27-00	75-7	1
H1020-1046-10-2	74-12	1	H1030-1001-95-1	22-26	1	K118-6500-28-00	75-6	1
H1020-1046-10-2	73-14	1	H1032-0002-56	22-5	1	K118-6500-29-00	78-14	1
H1020-1047-69	21-12	2	H1032-1004-64	22-23	1	K118-6500-29-00	78-14	1
H1020-1047-80-1	78-29	3	H1040-1021-98	82-6	1	K118-6500-30-00	78-22	1
H1020-1047-85	21-16	1	H1040-1021-99	82-4	1	K118-6500-33-00	81-33	1
H1020-1048-65	74-20	1	H1040-1028-41	47-2	1	K118-6500-34-00	73-3	1
H1020-1048-66	74-17	1	H1040-1028-41	41-1	1	K118-6500-34-00	72-3	1
H1020-1062-54	75-3	1	H1080-0000-55	81-53	2	K118-6500-36-00	72-1	1
H1020-1070-99-3	74-15	1	H1080-0000-56	81-54	1	K118-6500-39-00	77-9	1
H1020-1073-84-1	81-8	1	H1089-1000-45	46-34	1	K118-6500-40-00	77-3	1
H1020-1073-85-1	81-12	1	J9811-7600-060055	41-20	2	K118-6500-41-00	77-8	1
H1020-1076-30	14-3	1	J9811-7700-12002	51-23	4	K118-6500-42-00	73-1	1
H1020-1076-31	14-15	2	J9811-7720-100012	48-16	1	K118-6500-43-00	73-2	1
H1020-1098-30	13-31	1	K118-0000-02-00	21-8	1	K118-6500-44-00	73-26	1
H1020-1098-30	14-47	1	K118-1527-01-00	2-16	1	K118-6500-45-00	73-27	1
H1020-1098-30	12-41	1	K118-2000-01-00	22-37	1	K118-6500-64-00	72-21	1
H1020-1099-63-1	3-37	1	K118-2000-02-00	22-38	1	K118-7100-46-00	73-21	1
H1020-1124-35	76-17	1	K118-4000-01-00	21-4	1	K118-8000-01-00	48-25	2
H1022-1023-67-1	74-21	1	K118-4000-02-00	21-2	1	K118-8000-01-00	48-26	1
H1022-1023-83-1	25-19	1	K118-4000-03-00	72-22	1	K118-8000-02-00	48-7	1
H1023-0005-65	24-4	1	K118-5000-02-00	75-4	1	K118-8000-03-00	48-32	1

PART NO. LIST

Part No.	Index	Qty	Part No.	Index	Qty	Part No.	Index	Qty
K118-8000-05-00	12-4	1	KM1-0285-00	74-3	1	M001-WS81102	71-33	4
K118-8000-06-00	12-2	1	KM1-0286-00	74-1	1	M004-DB5020	43-14	1
K118-8000-08-00	12-18	2	KM1-0287-00	71-43	1	M004-MB6530DU	42-9	1
K118-9000-01-00	81-36	1	KM1-0301-00	12-3	1	M009-0016-80	3-24	1
K118-9000-02-00	21-32	1	KM1-0302-00	12-15	2	M009-0016-81	3-9	1
K118-9000-03-00	21-13	1	KW118-0200-53-00	75-11	1	M009-0017-65-1	2-6	2
K118-9000-03-00	21-31	1	KW118-3000-39-00	46-20	4	M009-0019-99	3-21	1
KC5006-000321	21-29	8	KW118-3000-78-1	46-10	1	M009-25BST62DB	22-20	1
KC5104-000321	21-30	8	KW118-6000-42-00	75-22	4	M100-08088-04423	45-14	2
KD7870-020032	91-22	2	KW118-7100-37-00	72-7	1	M101-20270-01303	51-32	2
KF0-0047-02	7-33	1	KW118-7100-37-00	73-7	1	M109-1015-94	47-27	1
KF0-0048-02	45-18	1	KW118-7101-69-00	74-14	1	M109-1021-78	41-37	1
KF0-0049-01	45-16	1	M000-20BST47DB	25-8	1	M109-1022-03	46-22	1
KF0-0053-00	91-6	1	M000-6004ZZ	23-36	1	M109-1024-49	75-24	1
KF0-0295-01	91-9	1	M000-6202ZZ	26-40	1	M109-1027-92	92-12	1
KF0-0296-00	91-3	1	M000-6204LLBP5	26-5	1	M1131-05255	1-5	1
KF0-0297-00	91-4	1	M000-6204ZZP6	7-4	2	M119-0006-91	26-17	1
KF0-0298-01	11-22	2	M000-6205LLBP5	22-42	2	M119-0007-49	23-18	1
KF0-0298-01	91-1	2	M000-6209	4-29	2	M119-0012-76	1-6	1
KF0-0299-00	92-2	1	M000-6209LLB	4-19	2	T009-020-000-3	53-1	1
KF0-0300-00	92-1	1	M000-6209Z	4-22	1	T009-200-003-13	11-15	1
KF0-0301-01	91-10	1	M001-81105T2	51-30	2	T009-200-003-13	12-29	1
KF0-0305-00	91-11	1	M001-AS1102	71-35	4	T009-200-005-06	11-15	1
KF1-0121-00	92-6	1	M001-AS1102	71-38	4	T009-200-005-16	14-42	1
KF1-0290-00	94-22	1	M001-AS1110	43-10	2	T009-200-005-16	13-27	1
KF1-0304-00	91-11	1	M001-AS1116	4-11	2	X	13-28	6
KM0-0295-00	73-22	1	M001-AXK1102	71-39	4	X	14-43	6
KM0-0295-00	78-23	1	M001-AXK1102	71-34	4	X	11-16	6
KM1-0003-01	82-1	1	M001-HK1512	71-28	4	X	7-10	1
KM1-0004-01	82-7	1	M001-HK1516	71-37	4	X	51-17	1
KM1-0284-00	71-2	1	M001-NK80/35R	4-13	1	X	51-18	1
KM1-0285-00	74-6	1	M001-WS81102	71-40	4	X	12-30	6
						X	78-13	1

LIST OF PUBLICATIONS

Publication No.	Date	Edition
KLNC8-367	MAY 1991	1st

This manual may be at variance with the actual product due to specification or design changes.

Please also note that specifications are subject to change without notice.

If you require clarification or further explanation of any point in this manual, please contact your OKUMA representative.

