



Extreme environments. Extreme ruggedness. Extremely simple.

“F.T.S. sets the international industry standard for fire weather monitoring.”

Forest Technology Systems was founded in 1980 to address the demanding weather information requirements of the world’s premier forest fire management agencies. The fire community’s strong requirements for rock-solid dependability and fast, trouble-free operation shaped F.T.S.’s early product development efforts and helped create a corporate culture dedicated to meeting the practical needs of its customers.



Today, our equipment is measuring, recording, and analyzing a variety of environmental conditions for applications at all levels of government, including wildland fire prevention and containment, fire danger rating index computation, prescribed burning, and emergency response. Our monitoring stations reflect three decades of technological advancement focused on our goal of designing and manufacturing the world’s most reliable, simplest to use, and simplest to maintain systems.



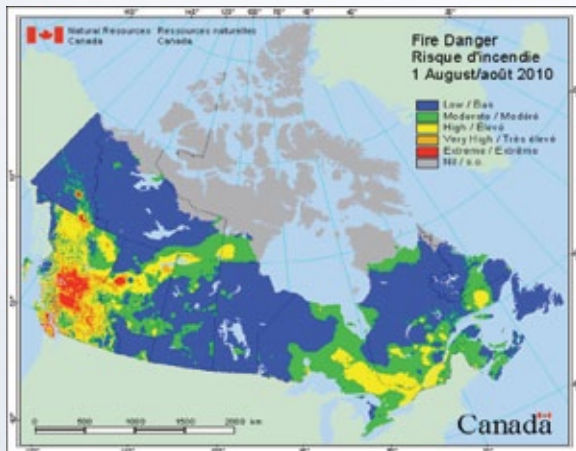
F.T.S.’s fire weather monitoring stations reside in extremely remote areas throughout North America. For 30 years we’ve been designing extremely rugged equipment that must function continuously, in any location and in any weather condition. F.T.S. stations have proven themselves under the most demanding conditions, from the most remote northern regions of Canada to the sun beaten, wind-blown salt and sand climate of the Mexican coast.

Q What does F.T.S. sell?

- Reliable, scientific-grade data.
- 30 years experience dedicated to fire weather.
- Solutions to the problem of keeping people safe and managing resources and budgets.

We attribute our success in developing products that consistently address our customers’ needs to knowing the business of our customers as much as our customers do. We work with them in the field, we train them, we observe, we ask a lot of questions, we service our own equipment. As the **preferred supplier to 100% of the top 50 government forest management agencies in North America**, we have a unique opportunity to obtain first-hand, direct insight into customers and the environments in which they need to monitor the weather. We have learned that our customers demand the highest levels of reliability, accuracy, and operational effectiveness.

With thousands of remote automated weather stations (RAWS) deployed, F.T.S. supplies the largest and most complex fire weather monitoring network in the world.



Data from F.T.S.’ extensive RAWS network is utilized in the calculation of fire danger rating indices, which are in turn used to make critical decisions that ultimately save lives.



The F.T.S. North American RAWS network

We are the World Leader in Fire Weather.

In the past 30 years, FTS has become the most trusted supplier to the wildland fire community. In this time we have worked closely with our customers to continuously improve and shape our technology to meet the needs of fire professionals. Our fire weather stations are in use in virtually every province, state and territory of the United States, Canada and Mexico. Our systems are fast and simple to deploy. They're also tough, "bomb-proof" and designed for reliable operation in harsh, remote environments, and they meet US NFDRS standards and Canadian Fire Weather Index requirements.



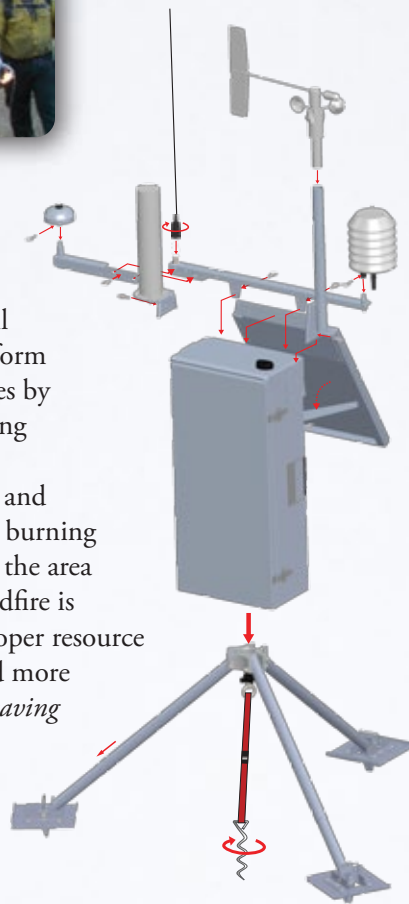
**More fire management professionals rely on FTS than any other vendor.
We know fire weather better than anyone.**



Beginning in British Columbia, Canada, FTS equipment and expertise has gained loyal customers at federal, provincial and municipal levels of government over the past 31 years. Our customers include:

The QD3 Quick Deploy is our portable RAWS (Remote Automated Weather Station). It offers the same scientific-grade accuracy and reliability of our full permanent RAWS in a portable form which can be set up in 15 minutes by one person with no tools. Knowing

accurate weather conditions before and during prescribed burning operations and in the area surrounding a wildfire is invaluable for proper resource allocation and more importantly, *saving lives.*



United States

- US Bureau of Indian Affairs
- US Bureau of Land Management
- US Forest Service
- US National Park Service
- US Fish and Wildlife Service
- US Army
- US Air Force
- US Marine Corps
- US National Guard
- Forestry, Natural Resources and Environmental Conservation departments in 33 states

Canada

- Canadian Forest Service
- Parks Canada
- Environment Canada
- All provincial and territorial departments of forestry
- Ontario Ministry of Natural Resources
- British Columbia Ministry of Forests, Lands and Natural Resource Operations

Mexico

- La Comisión Nacional del Agua
- Mexican Navy
- Secretaria de Marina
- Chiapas State



Extreme environments. Extreme ruggedness. Extremely simple.

www.ftsfireweather.com

1.800.548.4264

